



US00D796964S

(12) **United States Design Patent**  
**Staab**

(10) **Patent No.:** **US D796,964 S**

(45) **Date of Patent:** **\*\* Sep. 12, 2017**

(54) **COSMETIC BOTTLE**

(71) Applicant: **Mary Kay Inc.**, Addison, TX (US)

(72) Inventor: **Jenny DeMarco Staab**, Frisco, TX (US)

(73) Assignee: **Mary Kay Inc.**, Addison, TX (US)

(\*\*) Term: **15 Years**

(21) Appl. No.: **29/586,213**

(22) Filed: **Dec. 1, 2016**

**Related U.S. Application Data**

(62) Division of application No. 29/537,488, filed on Aug. 26, 2015, now Pat. No. Des. 776,544.

(51) **LOC (10) Cl.** ..... **09-01**

(52) **U.S. Cl.**  
USPC ..... **D9/560; D9/574; D9/520**

(58) **Field of Classification Search**  
USPC ..... D9/434-436, 453, 454, 516, 560, 567,  
D9/570, 572, 573, 574, 715, 682, 686,  
D9/687, 694, 719, 721; D28/73, 76-77,  
D28/91; D3/901

CPC ..... B65D 39/0047; B65D 41/0471;  
B65D 11/16; B65D 51/245;  
B65D 83/205; B65D 83/303

See application file for complete search history.

(56) **References Cited**

**U.S. PATENT DOCUMENTS**

D213,824 S	4/1969	Luedtke	.....	D9/560
D258,571 S	3/1981	Hirtle	.....	D9/560
D260,367 S	8/1981	Grip	.....	D9/571
D266,741 S	11/1982	Cox	.....	D9/560
D267,076 S	11/1982	Hurtig	.....	D9/520
D268,647 S	4/1983	Kingsford	.....	D9/570
D271,565 S	11/1983	Slater	.....	D9/520

D282,910 S	3/1986	Biesecker	.....	D9/560
D287,340 S	12/1986	Dinand	.....	D9/560
D301,838 S	6/1989	Miyakawa	.....	D9/560
D357,179 S	4/1995	Nedstedt	.....	D9/417
D361,938 S	9/1995	Sawa et al.	.....	D9/563
D372,675 S	8/1996	Pollard et al.	.....	D9/542
D381,275 S	7/1997	Lecoule	.....	D9/572
D392,897 S	3/1998	Biesecker et al.	.....	D9/571
D395,605 S	6/1998	Kokenge	.....	D9/571
D396,186 S	7/1998	Fiore	.....	D9/687
D420,596 S	2/2000	Maddy	.....	D9/560
D424,379 S	5/2000	Kim	.....	D7/612

(Continued)

**FOREIGN PATENT DOCUMENTS**

BR	DI 5601655-7	7/1996
BR	DI 6503485-6	12/2005

(Continued)

*Primary Examiner* — Thomas Johannes

*Assistant Examiner* — Keith Frank

(74) *Attorney, Agent, or Firm* — Norton Rose Fulbright US LLP

(57) **CLAIM**

The ornamental design for a cosmetic bottle, as shown and described.

**DESCRIPTION**

FIG. 1 is a top perspective view of a cosmetic bottle showing my new design;

FIG. 2 is a front elevation view thereof;

FIG. 3 is a rear elevation view thereof;

FIG. 4 is a right side elevation view thereof;

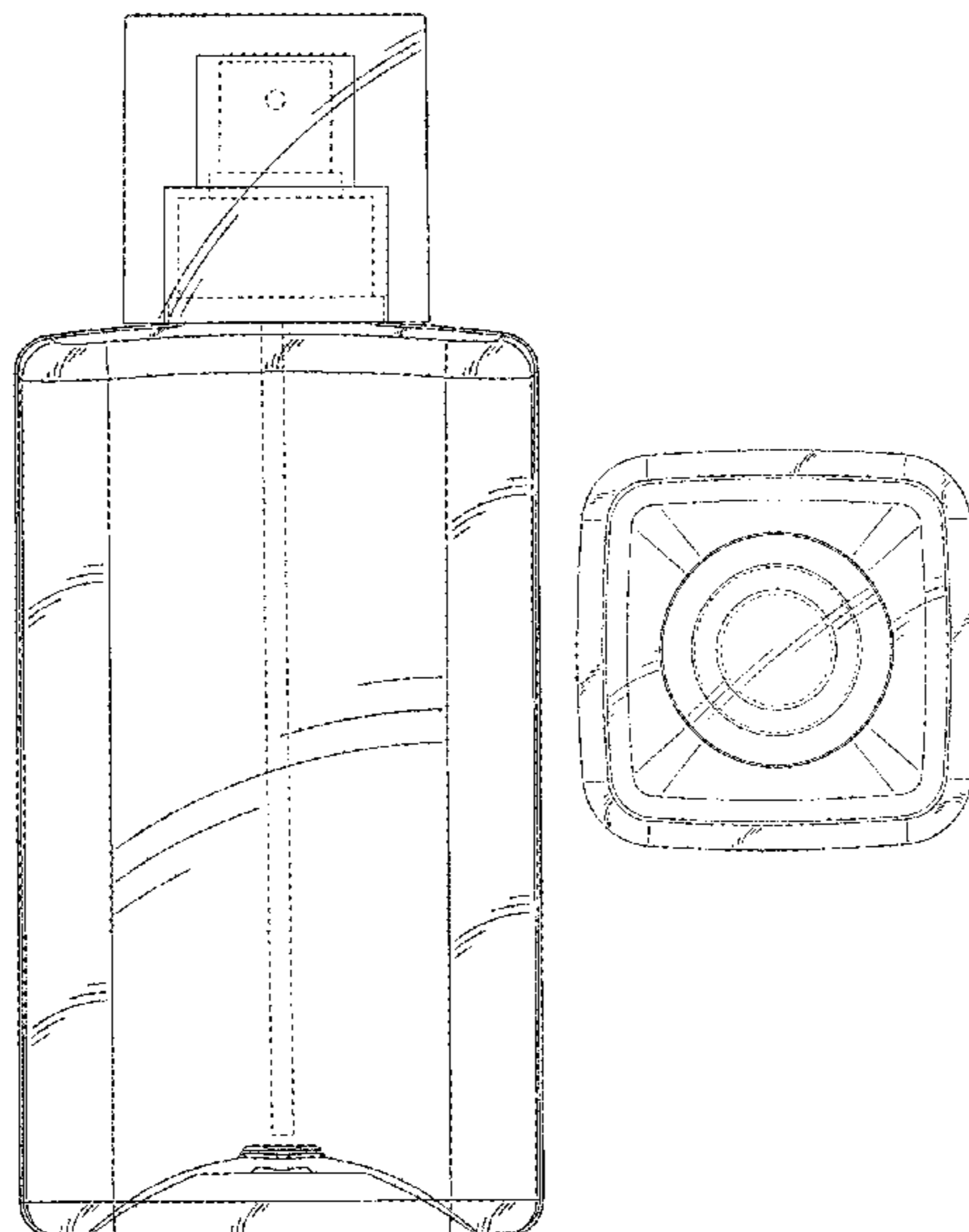
FIG. 5 is a left side elevation view thereof;

FIG. 6 is a top plan view thereof; and,

FIG. 7 is a bottom plan view thereof.

The broken lines in the drawings illustrate the portions of the cosmetic bottle that form no part of the claimed design.

**1 Claim, 6 Drawing Sheets**





(56)

References Cited

U.S. PATENT DOCUMENTS

D425,798 S 5/2000 Gavin ..... D9/574  
 D426,161 S 6/2000 Hestehave et al. .... D9/520  
 D428,577 S 7/2000 Shanahan ..... D9/544  
 D432,427 S 10/2000 Shanahan ..... D9/544  
 D449,538 S 10/2001 Burleson et al. .... D9/530  
 D451,812 S 12/2001 Colonna de Giovellina . D9/560  
 D454,502 S 3/2002 Legros ..... D9/544  
 D456,271 S 4/2002 Maloney ..... D9/560  
 D457,437 S 5/2002 Sadeghi et al. .... D9/530  
 D458,849 S 6/2002 Burleson et al. .... D9/560  
 D471,108 S 3/2003 Calderone ..... D9/520  
 D480,299 S 10/2003 Sgariboldi ..... D9/694  
 D481,957 S 11/2003 Modjeski ..... D9/560  
 D486,062 S \* 2/2004 Huang ..... D9/694  
 D491,070 S 6/2004 Boldrini et al. .... D9/560  
 D494,476 S 8/2004 Cwynar-Laska et al. .... D9/560  
 D494,869 S 8/2004 McNiel ..... D9/560  
 D496,867 S 10/2004 Kuzma et al. .... D9/563  
 D500,681 S 1/2005 Uchiyama ..... D9/560  
 D515,940 S 2/2006 Kratko ..... D9/745  
 D522,872 S 6/2006 Lascaux ..... D9/544  
 D526,206 S 8/2006 Varlet ..... D9/560  
 D527,646 S 9/2006 Cornet et al. .... D9/560  
 D527,647 S 9/2006 Blank ..... D9/563  
 D528,909 S 9/2006 Stillerud ..... D9/560  
 D531,913 S 11/2006 Heisner et al. .... D9/560  
 D532,699 S 11/2006 Mouquet ..... D9/694  
 D535,566 S 1/2007 Lin ..... D9/560  
 D537,492 S 2/2007 Paolucci et al. .... D21/707  
 D548,101 S 8/2007 Elgebrant ..... D9/560  
 D548,102 S 8/2007 Waldner ..... D9/560  
 D548,103 S 8/2007 Waldner ..... D9/560  
 D548,607 S 8/2007 Langbein et al. .... D9/560  
 D555,002 S 11/2007 Lloyd et al. .... D9/544  
 D564,898 S \* 3/2008 McGuinness ..... D9/560  
 D567,100 S \* 4/2008 Liden ..... D9/546  
 D571,219 S \* 6/2008 McCoy ..... D9/544  
 D577,599 S 9/2008 Moretti ..... D9/560  
 D579,785 S 11/2008 Rica ..... D9/574  
 D580,773 S 11/2008 Rica ..... D9/574  
 D580,778 S 11/2008 Konckier ..... D9/694  
 D581,800 S 12/2008 Rica ..... D9/544  
 D584,953 S 1/2009 Rica ..... D9/544  
 D590,718 S 4/2009 Rica ..... D9/546  
 D590,721 S 4/2009 Martinez De San  
 Vicente ..... D9/571  
 D595,141 S 6/2009 Rica ..... D9/544  
 D596,491 S 7/2009 Rica ..... D9/546  
 D596,949 S 7/2009 Flude ..... D9/560  
 D598,291 S 8/2009 Serrano Diaz ..... D9/542  
 D601,428 S 10/2009 Rica ..... D9/544  
 D602,785 S 10/2009 Rothberg et al. .... D9/560  
 D603,716 S 11/2009 Rica ..... D9/560  
 D603,717 S 11/2009 Rica ..... D9/560  
 D604,174 S 11/2009 Rica ..... D9/560  
 D604,175 S 11/2009 Rica ..... D9/560  
 D605,055 S 12/2009 Serrano Diaz ..... D9/560  
 D606,414 S 12/2009 Rica ..... D9/544  
 D612,739 S 3/2010 Delbon ..... D9/544  
 D613,177 S 4/2010 Lee ..... D9/560  
 D622,601 S 8/2010 Potts ..... D9/544  
 D622,602 S 8/2010 Potts ..... D9/544  
 D622,608 S 8/2010 Sansevero ..... D9/616  
 D626,423 S 11/2010 Lauret ..... D9/574  
 D629,698 S 12/2010 Kim et al. .... D9/574  
 D629,699 S 12/2010 Kim et al. .... D9/574  
 D630,100 S 1/2011 Wanet ..... D9/544  
 D630,518 S 1/2011 Biesecker et al. .... D9/558  
 D635,031 S 3/2011 Themann ..... D9/544  
 D641,638 S 7/2011 Stengel ..... D9/560  
 D642,478 S 8/2011 Ehrmann ..... D9/573  
 D643,295 S 8/2011 Sadler et al. .... D9/522  
 D646,178 S 10/2011 Barber et al. .... D9/655  
 D647,803 S 11/2011 Regas ..... D9/516  
 D652,310 S 1/2012 Hartford ..... D9/544

D652,735 S 1/2012 Chen ..... D9/542  
 D653,119 S 1/2012 Hunter et al. .... D9/560  
 D655,176 S 3/2012 Kraft et al. .... D9/541  
 D655,179 S 3/2012 Kraft et al. .... D9/560  
 D655,180 S 3/2012 Kraft et al. .... D9/560  
 D655,181 S 3/2012 Kraft et al. .... D9/560  
 D655,182 S 3/2012 Kraft et al. .... D9/560  
 D655,612 S 3/2012 Oge-Nichols ..... D9/559  
 D656,405 S 3/2012 Byron ..... D9/560  
 D656,827 S 4/2012 Mandell et al. .... D9/516  
 D672,250 S 12/2012 Austin et al. .... D9/560  
 D673,859 S 1/2013 Austin et al. .... D9/560  
 D675,101 S 1/2013 Wilson et al. .... D9/559  
 D676,331 S 2/2013 Hartford ..... D9/544  
 D678,074 S 3/2013 De France ..... D9/560  
 D678,776 S 3/2013 Lecetre et al. .... D9/573  
 D680,004 S 4/2013 Lecetre et al. .... D9/573  
 D680,872 S 4/2013 Uribe et al. .... D9/565  
 D682,704 S 5/2013 Reynolds ..... D9/559  
 D682,705 S 5/2013 Reynolds ..... D9/559  
 D682,706 S 5/2013 Weil ..... D9/560  
 D686,081 S 7/2013 Colangelo ..... D9/560  
 D687,311 S 8/2013 Austin et al. .... D9/560  
 D691,484 S 10/2013 Fitzgerald ..... D9/560  
 D694,120 S \* 11/2013 Baussan ..... D9/560  
 D697,416 S 1/2014 Thompson ..... D9/544  
 D701,769 S 4/2014 Eble ..... D9/560  
 D705,074 S 5/2014 Della Valle ..... D9/560  
 D705,663 S 5/2014 Guichot ..... D9/544  
 D712,746 S 9/2014 Widdison ..... D9/529  
 D714,156 S 9/2014 Lauret ..... D9/560  
 D714,157 S 9/2014 Albertini ..... D9/560  
 D717,176 S 11/2014 Gomez ..... D9/560  
 D717,658 S 11/2014 Fadelli ..... D9/544  
 D722,804 S 2/2015 Kay et al. .... D7/300.1  
 D724,438 S 3/2015 Gaydon ..... D9/573  
 D724,952 S 3/2015 Humm ..... D9/544  
 D727,162 S 4/2015 Gaydon ..... D9/573  
 D728,783 S \* 5/2015 Logue ..... D24/121  
 D730,191 S 5/2015 Hardy ..... D9/529  
 D731,893 S 6/2015 Chung ..... D9/529  
 D736,635 S \* 8/2015 Sadler ..... D9/522  
 D741,720 S 10/2015 Anandani ..... D9/560  
 D741,723 S 10/2015 Staab ..... D9/687  
 D748,503 S \* 2/2016 Gora ..... D10/46.2  
 D756,234 S \* 5/2016 Orset ..... D9/560  
 D767,405 S \* 9/2016 Orset ..... D9/453  
 D779,335 S \* 2/2017 Chia ..... D9/560  
 2007/0023314 A1 \* 2/2007 Hsu ..... A45D 34/045  
 206/504  
 2011/0011874 A1 \* 1/2011 Kurosawa ..... B65D 1/0223  
 220/665

FOREIGN PATENT DOCUMENTS

BR DI 6504741-9 5/2006  
 BR DI 6602325-4 11/2006  
 BR DI 6604003-5 1/2007  
 BR D 068729-001 (WO) 4/2007  
 BR D 057827-001 (WO) 5/2007  
 BR DI 6700862-3 9/2007  
 BR DI 6700954-9 10/2007  
 BR D 069400-007 (WO) 11/2007  
 BR DI 6803086-0 3/2009  
 BR DI 6901075-7 4/2010  
 BR DI 6901076-5 6/2010  
 BR DI 7001107-9 10/2010  
 BR DI 7001347-0 11/2010  
 CH 141387-0001 4/2015  
 CH 141387-0002 4/2015  
 CH 141387-0003 4/2015  
 CH 141387-0004 4/2015  
 CN 3014559 7/1992  
 CN 3016711 1/1993  
 CN 3017842 4/1993  
 CN 3254177 9/2002  
 CN 3316443 8/2003  
 CN 3361274 4/2004  
 CN 3408052 12/2004

(56)

References Cited

FOREIGN PATENT DOCUMENTS

CN	3416610	1/2005	EP	IR 70899-0006	1/2009
CN	3422647	2/2005	EP	IR 80697-0003	10/2013
CN	3477635	9/2005	EP	IR 82079-0001	11/2013
CN	3482666	10/2005	EP	IR 82492-0001	1/2014
CN	3514650	3/2006	FR	877258-005	6/1988
CN	3526197	5/2006	FR	906219-001	2/1991
CN	3561987	9/2006	FR	045908-001	5/2005
CN	3592500	12/2006	FR	D069400-001 (WO)	11/2007
CN	3642228	5/2007	GB	2023429	10/1992
CN	3656570	6/2007	GB	2029398	6/1993
CN	3675273	8/2007	GB	2043270	3/1995
CN	300695486	10/2007	GB	2064631	9/1997
CN	300707843	11/2007	GB	2080466	4/1999
CN	300714846	12/2007	GB	2094924-0001	10/2000
CN	300743952	2/2008	GB	2094925-0001	10/2000
CN	300756173	3/2008	GB	2087020	12/2000
CN	300812177	8/2008	GB	2097918	12/2000
DE	D023692-003 (WO)	10/1992	JP	D1078393	7/2000
DE	D023692-004 (WO)	10/1992	JP	D1115831	7/2001
DE	D063750-012 (WO)	6/2003	JP	D1316727	12/2007
DE	EM 0160718-0001	6/2004	JP	D1339440	9/2008
DE	EM 0376611-0001	9/2005	MX	12276	3/2001
DE	EM 0503925-0001	5/2006	MX	16142	3/2004
DE	EM 0826748-0001	11/2007	MX	20413	4/2006
DE	EM 1028625-0004	11/2008	MX	20415	4/2006
DE	EM 1028625-0005	11/2008	MX	26747	9/2008
DE	EM 1028625-0006	11/2008	MX	32470	12/2010
DE	EM 1028625-0007	11/2008	MX	32471	12/2010
DE	EM 1565953-0004	8/2009	MX	32472	12/2010
DE	EM 1654195-0001	1/2010	MX	32608	12/2010
DE	EM 1260129-0001	2/2011	MX	38120	2/2013
DE	EM 1260129-0002	2/2011	MX	38601	5/2013
DE	EM 1945148-0001	11/2011	MX	39944	10/2013
DE	EM 2030858-0004	5/2012	MX	39945	10/2013
DE	EM 2095273-0001	9/2012	MX	41864	7/2014
DE	EM 1697855-0001	10/2012	MX	42344	8/2014
DE	EM 1756925-0001	1/2013	MX	43282	1/2015
DE	EM 2215541-0001	4/2013	RU	00046319	11/1999
DE	402012004085-0001	7/2013	RU	00048634	4/2001
DE	EM 2434597-0001	3/2014	RU	00049040	7/2001
DE	EM 2217125-0001	5/2015	RU	00055175	9/2004
EP	IR 68362-0002	1/2007	RU	00057362	8/2005
EP	IR 68362-0003	1/2007	RU	00058294	12/2005
EP	IR 68362-0009	1/2007	RU	00061923	3/2007
EP	IR 68369-0001	1/2007	RU	00062567	5/2007
EP	IR 69400-0001	12/2007	RU	00067668	9/2008
EP	IR 70899-0004	1/2009	RU	00067673	9/2008
			RU	00068012	10/2008

\* cited by examiner



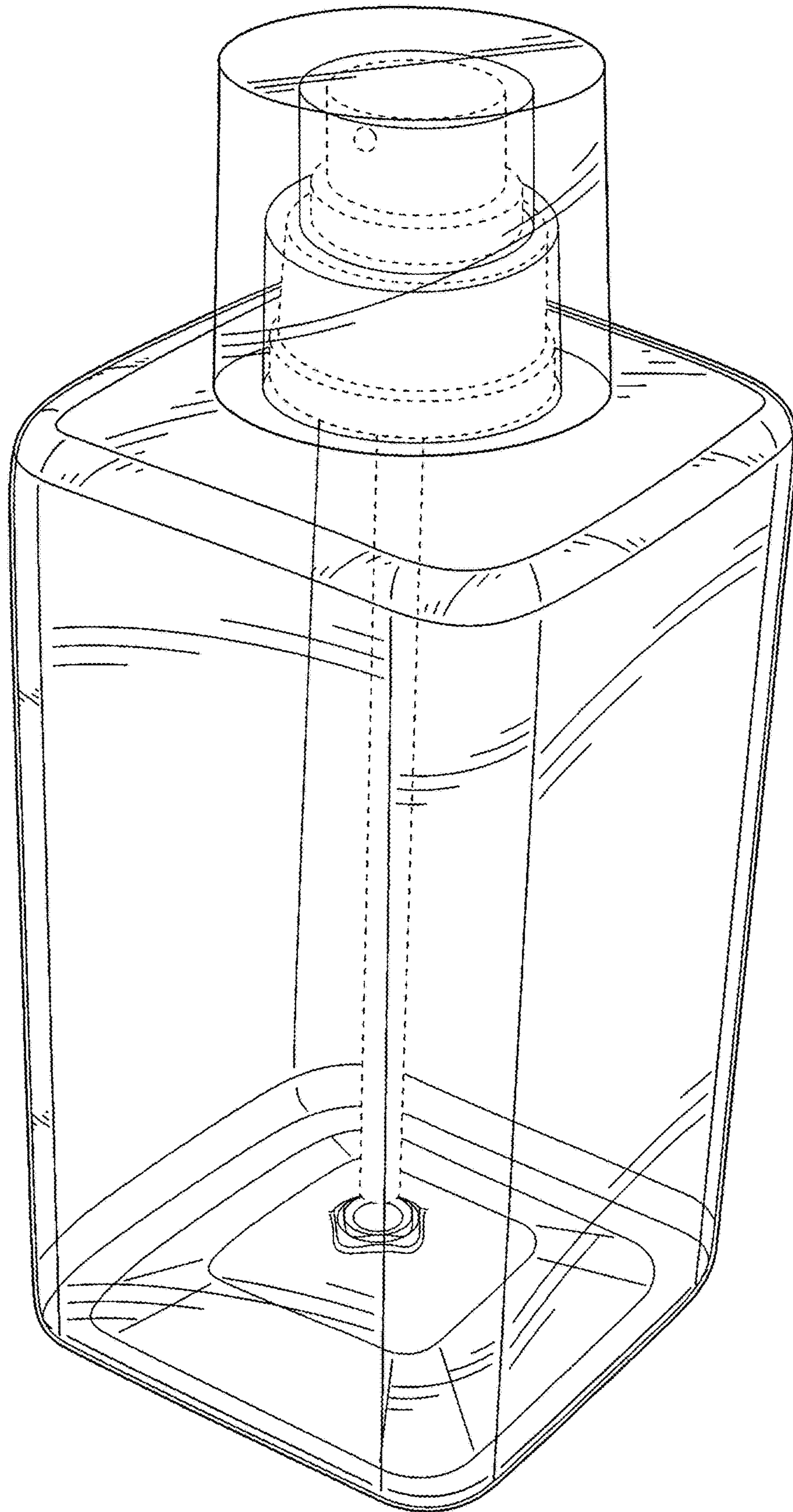


FIG. 1

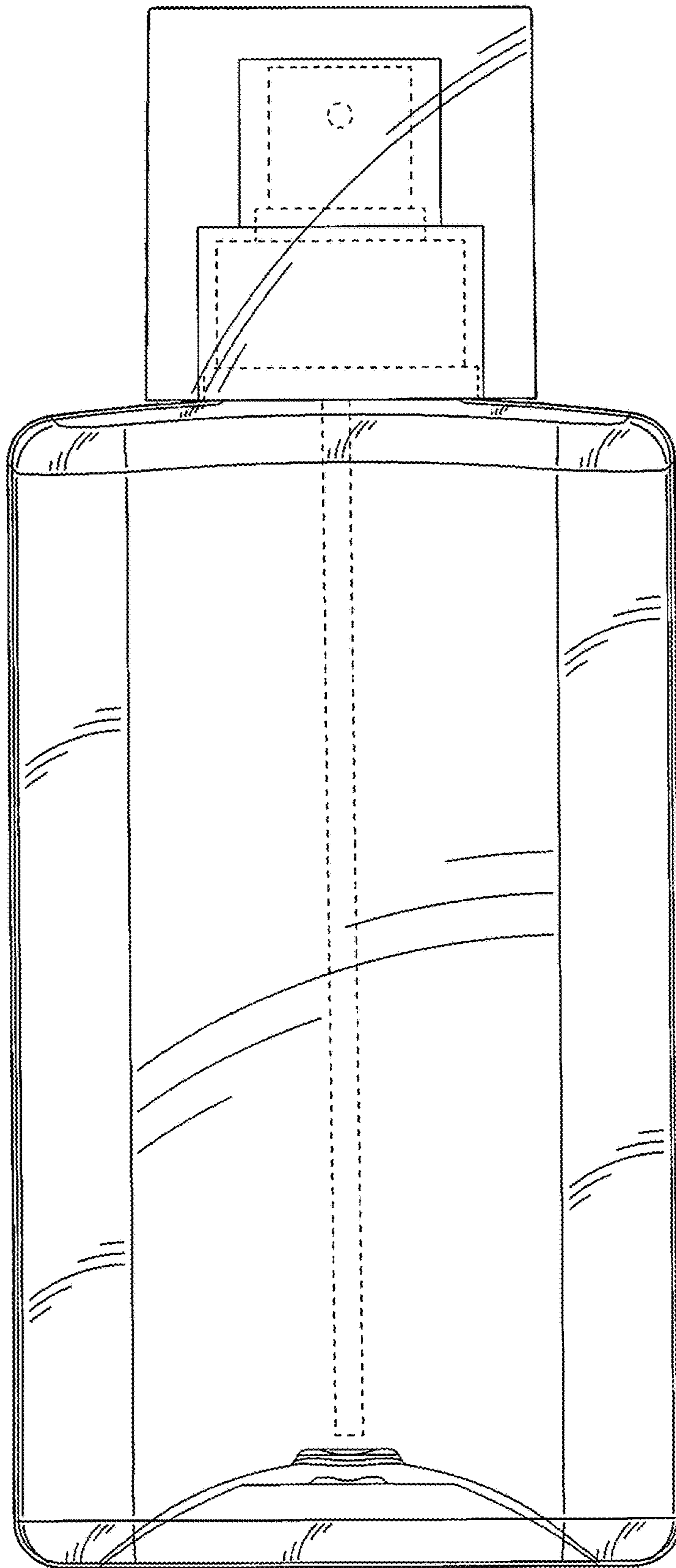


FIG. 2

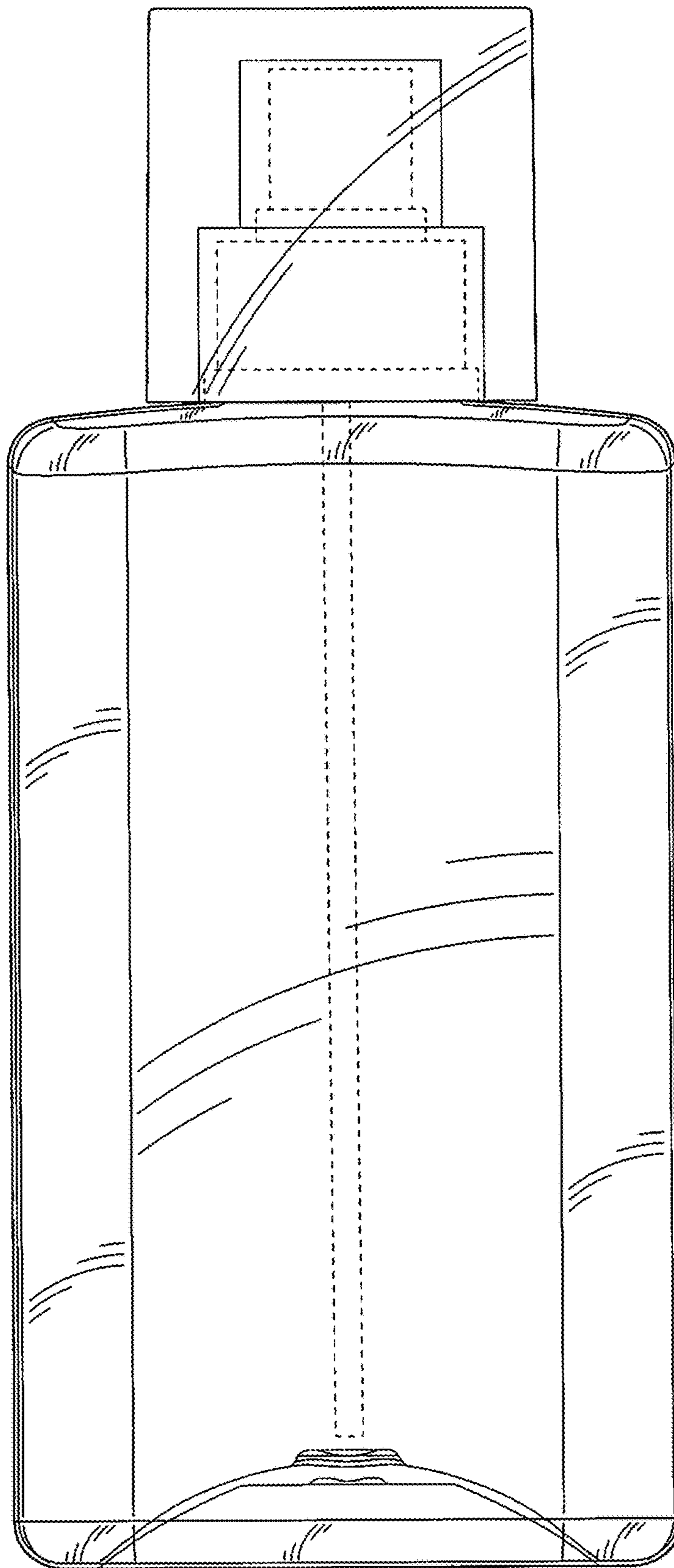


FIG. 3

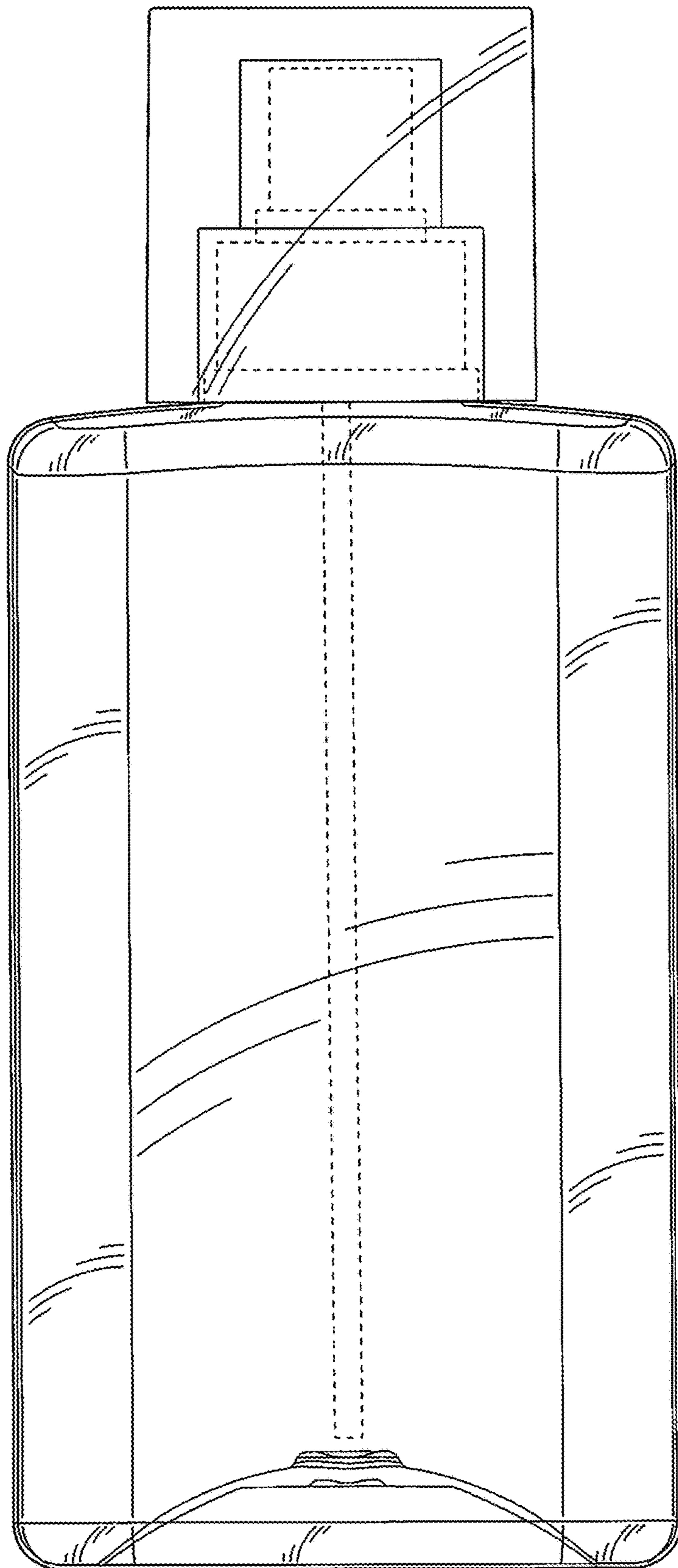


FIG. 4



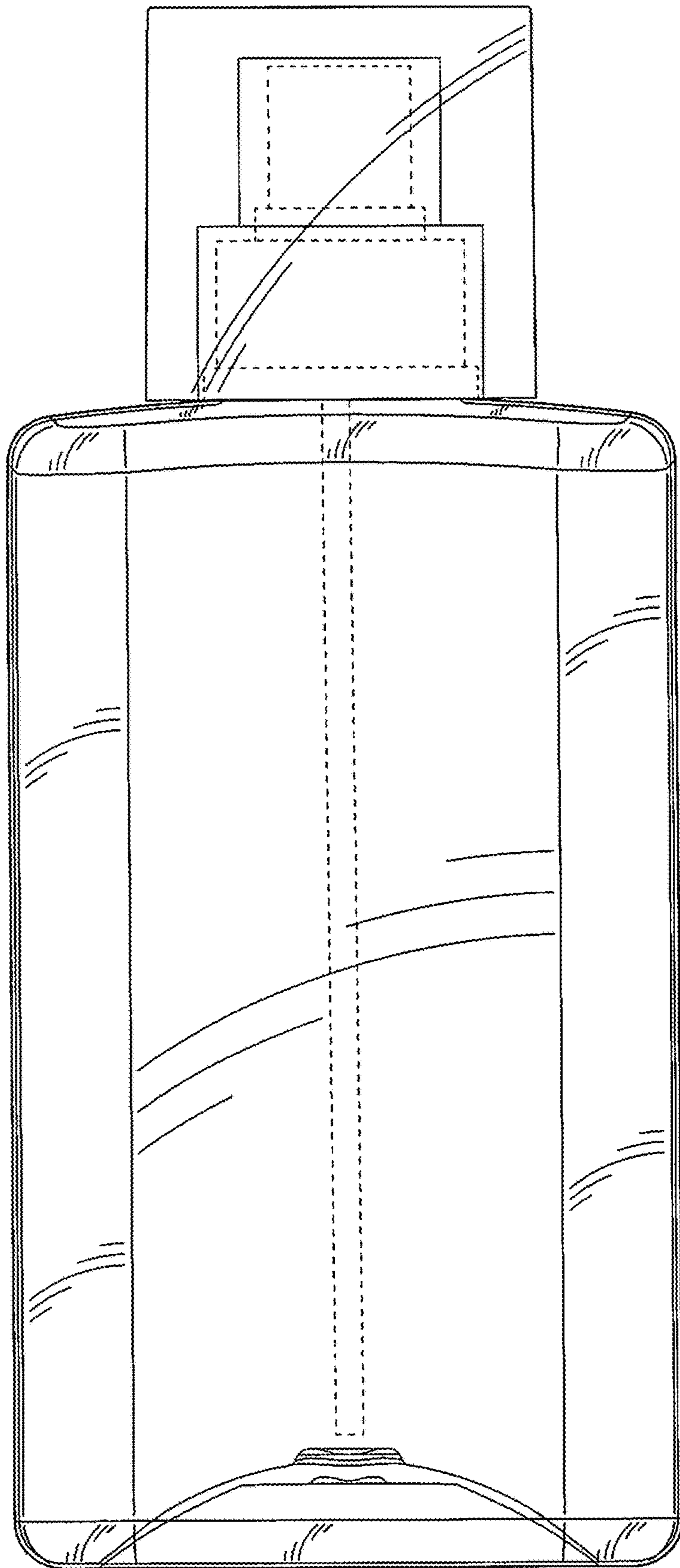


FIG. 5



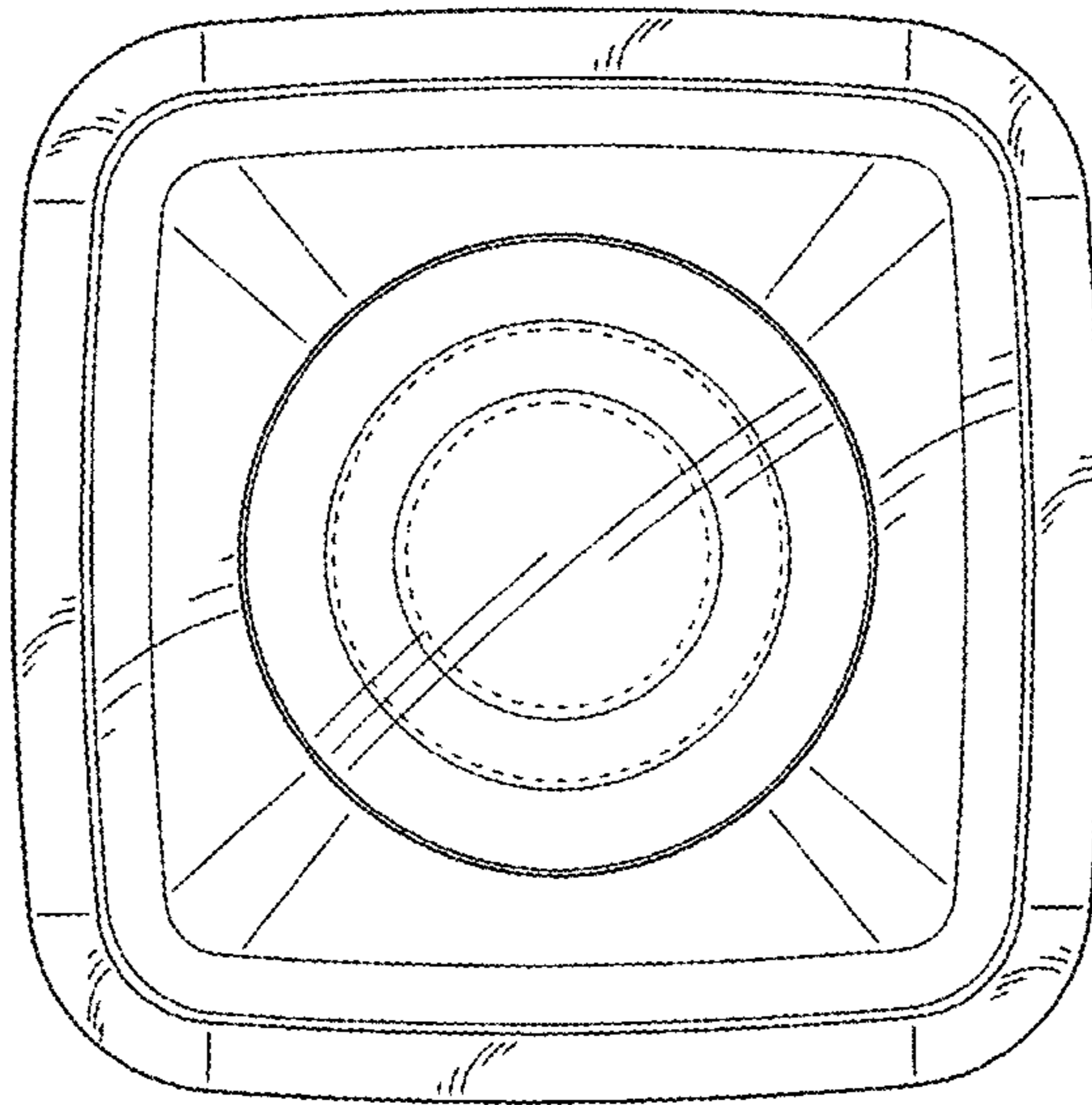


FIG. 6

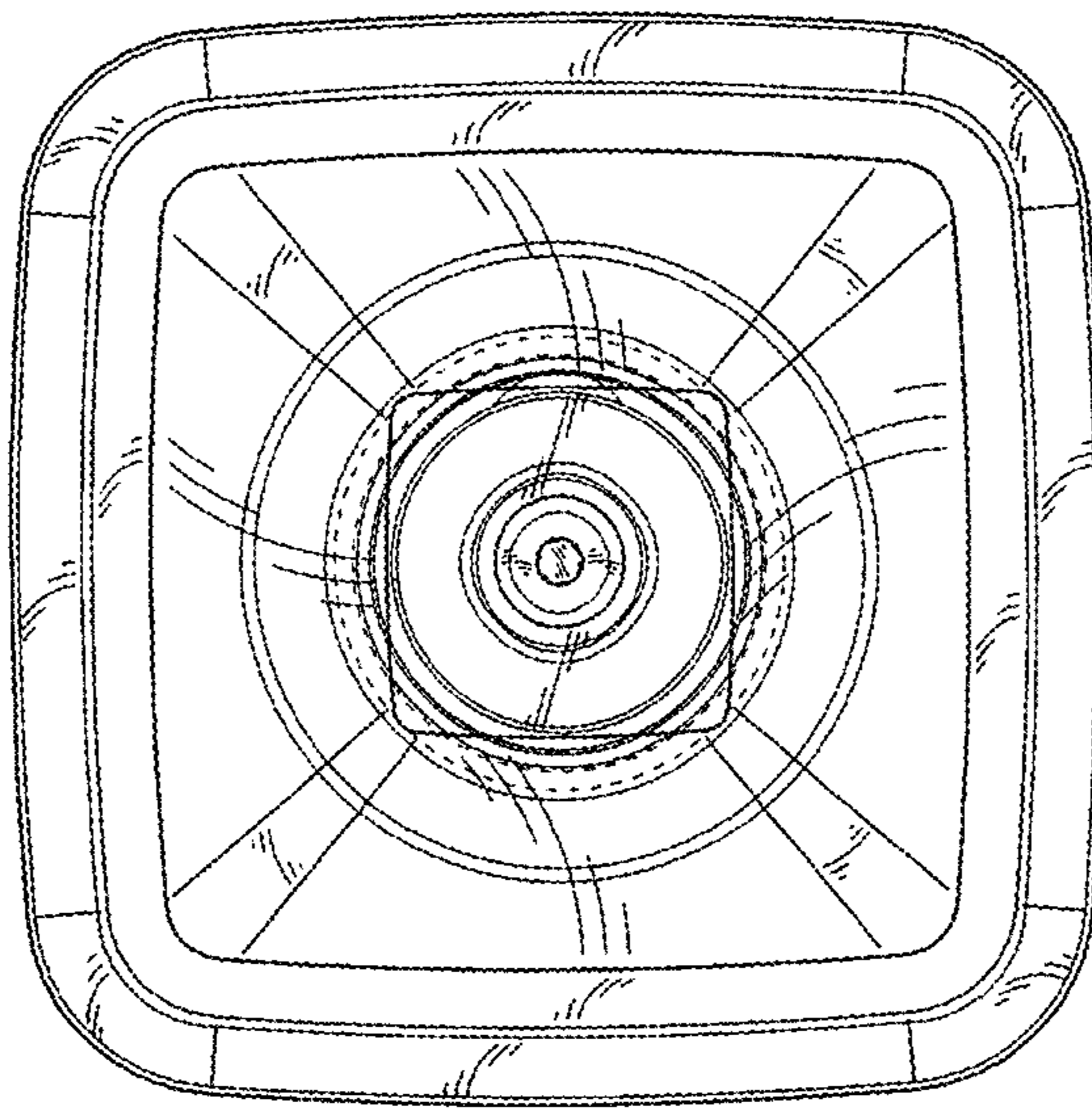


FIG. 7