

US00D796963S

(12) **United States Design Patent** (10) **Patent No.:** **US D796,963 S**
Vaidyaselvan (45) **Date of Patent:** **** Sep. 12, 2017**

(54) **TILTED BOTTLE WITH INNER CONTAINER**

(71) Applicant: **Ramalingam Vaidyaselvan**, Marlboro, NJ (US)

(72) Inventor: **Ramalingam Vaidyaselvan**, Marlboro, NJ (US)

(**) Term: **15 Years**

(21) Appl. No.: **29/550,214**

(22) Filed: **Dec. 31, 2015**

(51) **LOC (10) Cl.** **09-01**

(52) **U.S. Cl.**
USPC **D9/560; D9/544; D9/435**

(58) **Field of Classification Search**
USPC D4/116; D6/515-516, 542-545;
D7/300-322, 391-396.2, 509-511, 523,
D7/589, 598, 612, 615, 619.1;
D9/435-436, 439-440, 443, 447, 454,
D9/500-575; D24/197; 215/40-55,
215/235-245, 316-364, 370-385;
220/4.01-4.34, 560.09, 566, 568, 569,
220/574-575, 592.13-592.19, 703-719
CPC B65D 1/00; B65D 1/02; B65D 1/0223;
B65D 1/023; B65D 1/0276

See application file for complete search history.

(56) **References Cited**

U.S. PATENT DOCUMENTS

D74,418 S *	2/1928	d'Escayrac	D9/544
D76,291 S *	9/1928	d'Escayrac	D9/544
D107,966 S *	1/1938	McIntosh	D9/544
D141,775 S *	7/1945	Buckingham	D9/544
D261,109 S *	10/1981	Rosenblatt	D9/544
D264,127 S *	4/1982	Peterson	D24/224
4,856,685 A *	8/1989	Gaffney	B65D 83/00 220/771
D365,992 S *	1/1996	Trussardi	D9/544
D434,646 S *	12/2000	Gidlund	D9/503
D553,004 S *	10/2007	Krakoff	D9/694

D600,133 S *	9/2009	Friedman	D9/560
D606,415 S *	12/2009	Lavigne	D9/434
D625,612 S *	10/2010	Papiernik	D9/693
D631,364 S *	1/2011	Da Vinci	D9/564
D666,500 S *	9/2012	Fendi	D9/560
D680,872 S *	4/2013	Uribe	D9/565
D684,805 S *	6/2013	Bjerre-Poulsen	D7/300.1
D690,161 S *	9/2013	Garner	D7/510
D761,114 S *	7/2016	Ericson	D9/544

(Continued)

OTHER PUBLICATIONS

“Illamasqua Freak Scarab ~ new fragrance.” nstperfume.com. Nov. 6, 2013. Accessed May 10, 2017. Available online at URL: <<http://www.nstperfume.com/2013/11/06/illamasqua-freak-scarab-new-fragrance/>>.*

Primary Examiner — Cathron Brooks

Assistant Examiner — Christian P McLean

(74) *Attorney, Agent, or Firm* — Michael P. Kochka, Esq.

(57) **CLAIM**

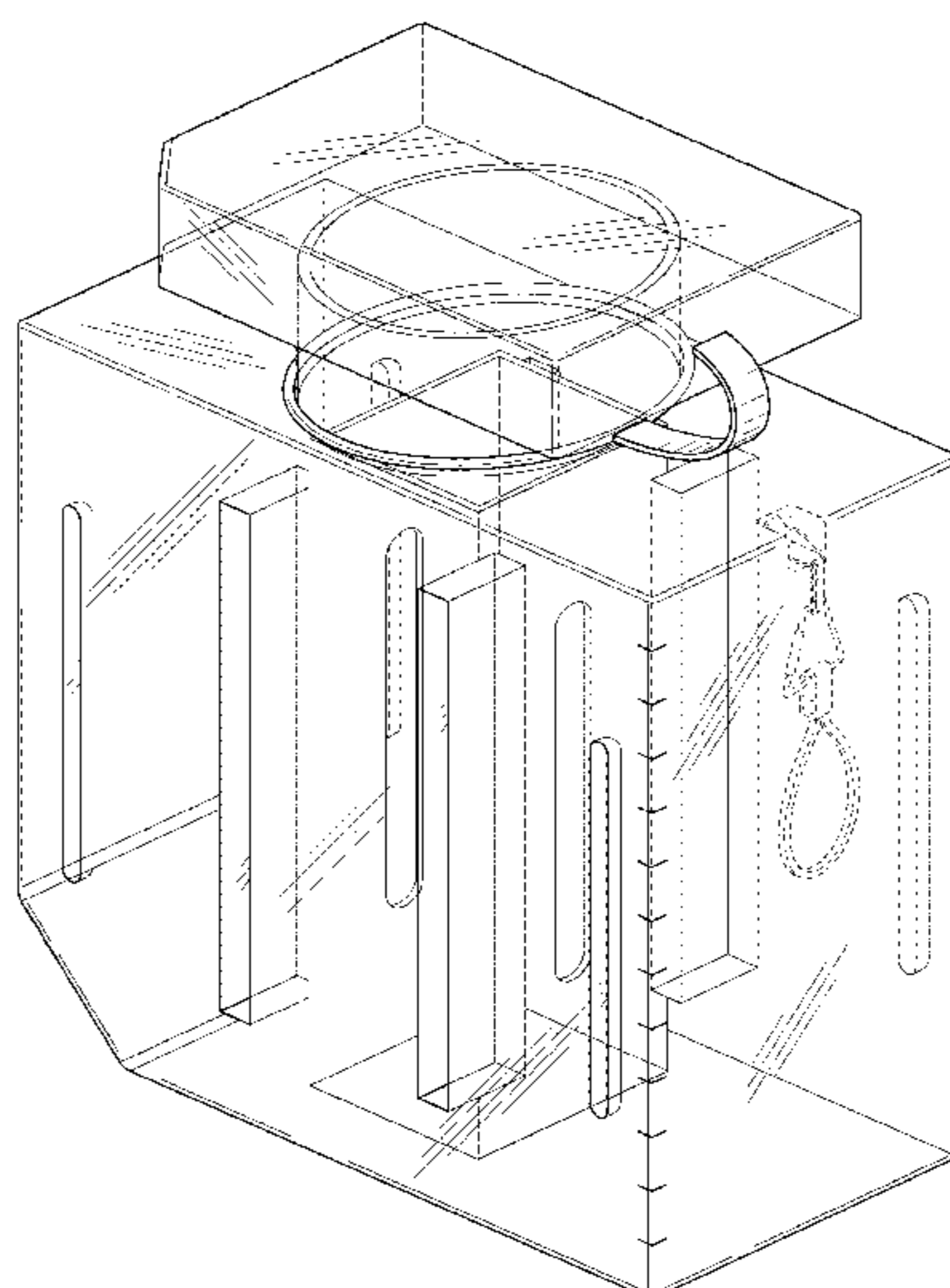
The ornamental design for a tilted bottle with inner container, as shown and described.

DESCRIPTION

FIG. 1 depicts a front view of a tilted bottle with inner container, showing the novel design; FIG. 2 depicts a back view of thereof; FIG. 3 depicts a top view thereof; FIG. 4 depicts a bottom view thereof; FIG. 5 depicts a left-side view thereof; FIG. 6 depicts a right-side view thereof; FIG. 7 depicts an perspective view thereof; and, FIG. 8 depicts a perspective view of the inner container of the tilted bottle, shown separately for completeness of illustration.

The broken lines illustrate portions of the tilted bottle that form no part of the claimed design.

1 Claim, 6 Drawing Sheets



(56)

References Cited

U.S. PATENT DOCUMENTS

D784,149 S * 4/2017 Funk D9/520
D784,152 S * 4/2017 Krunas D9/559

* cited by examiner

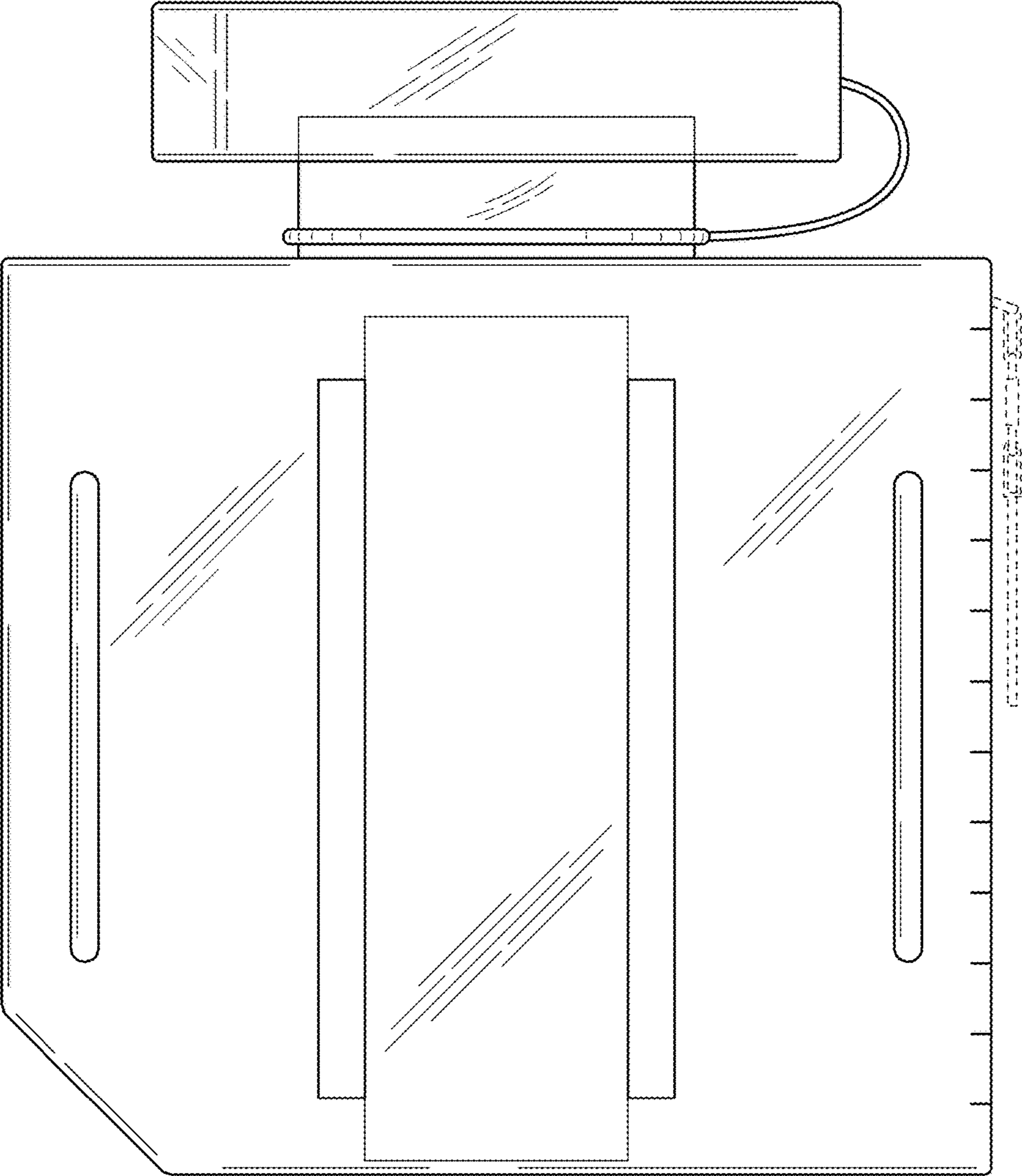


FIG. 1

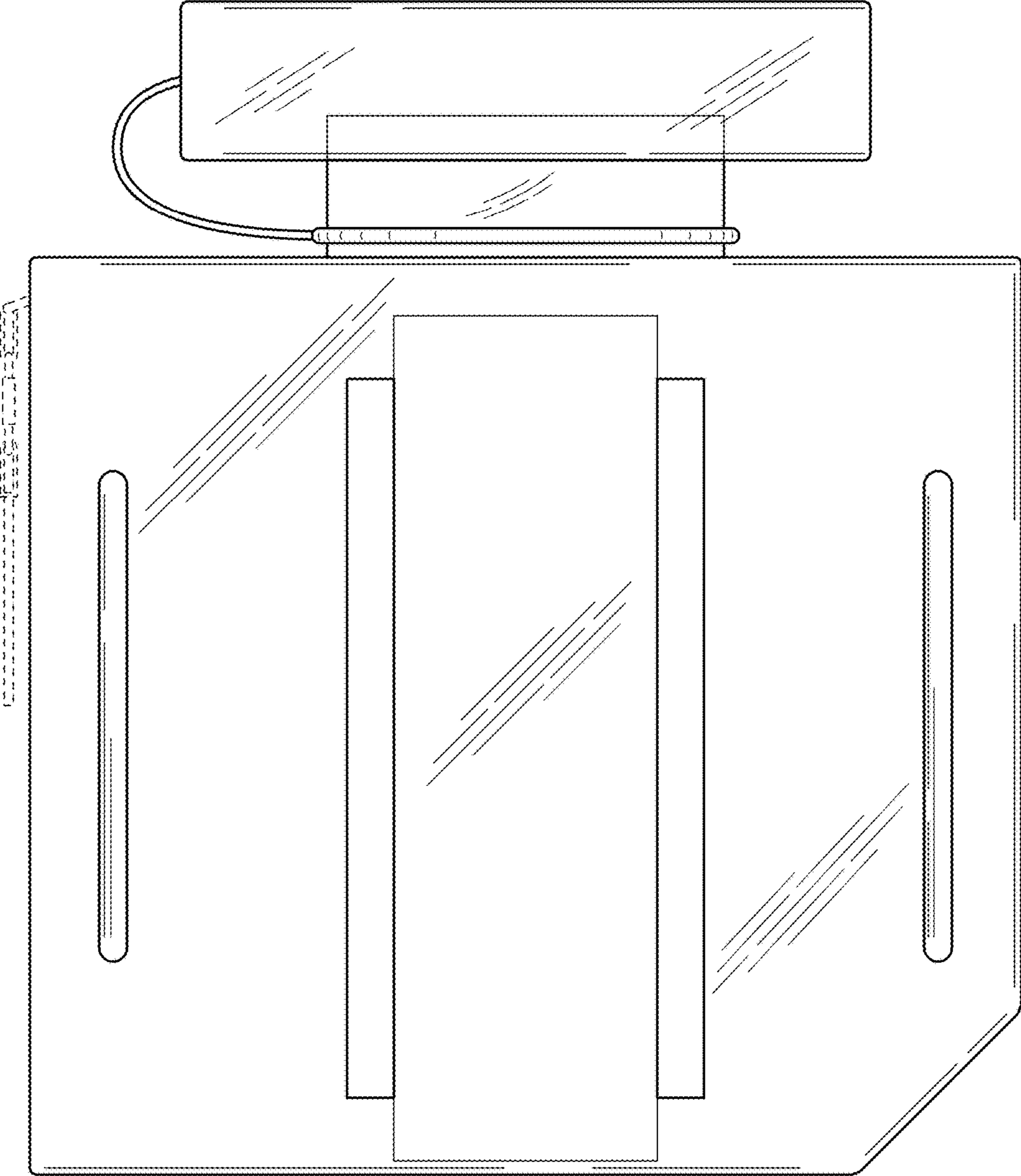


FIG. 2

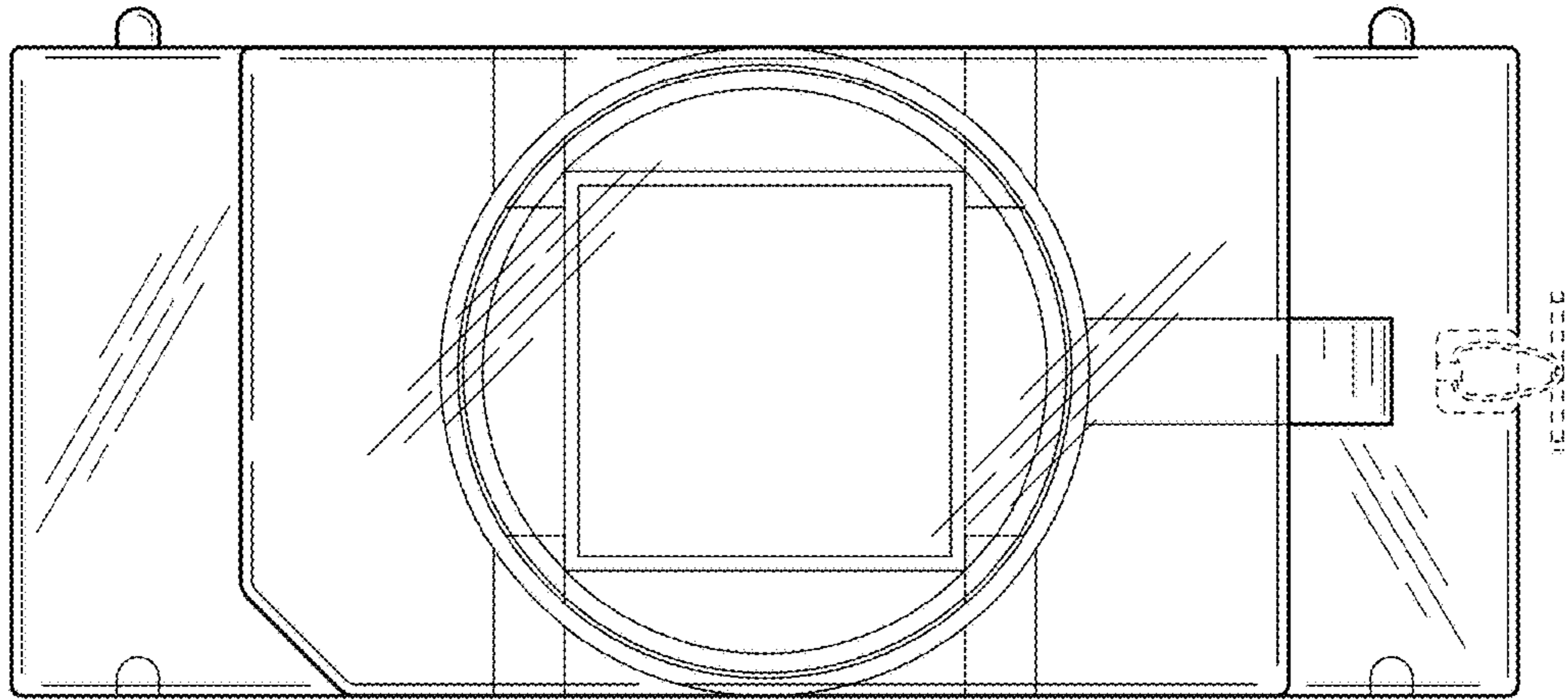


FIG. 3

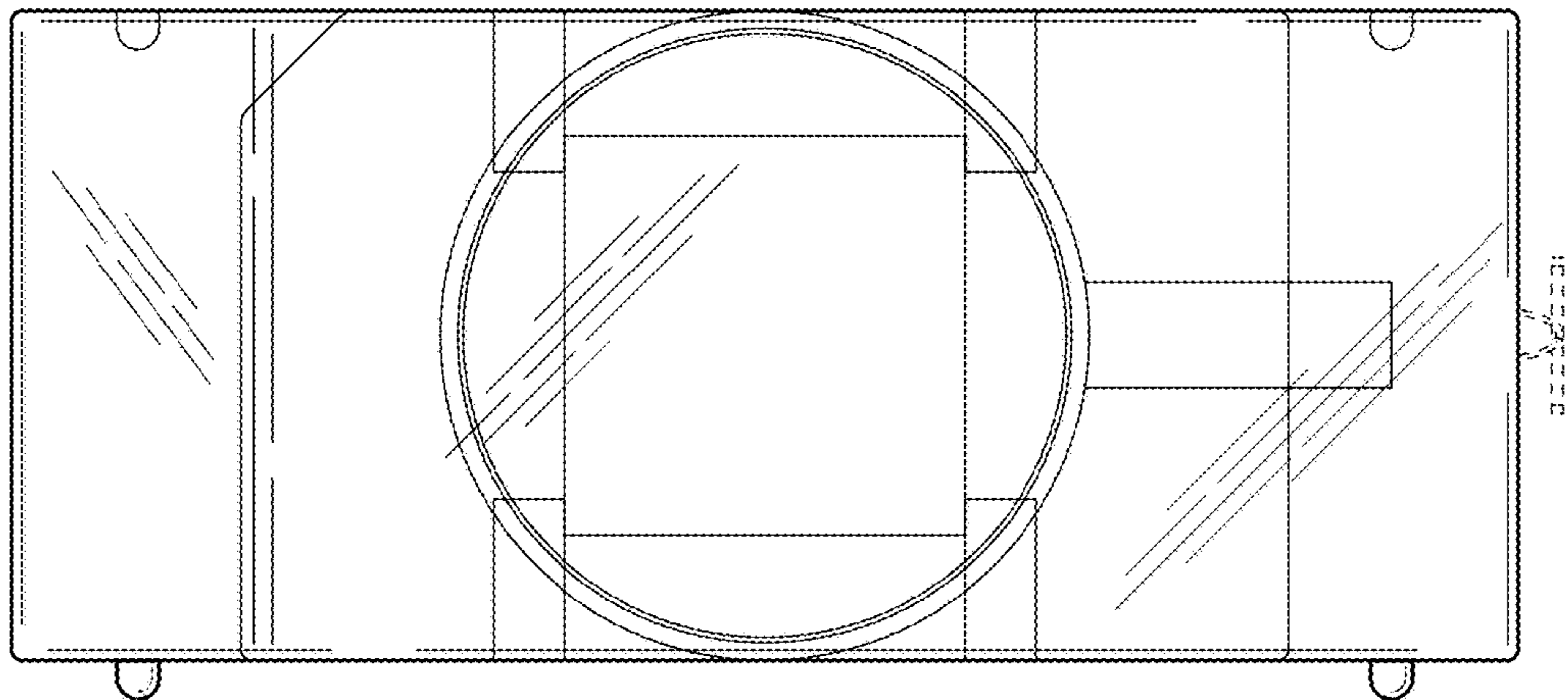


FIG. 4

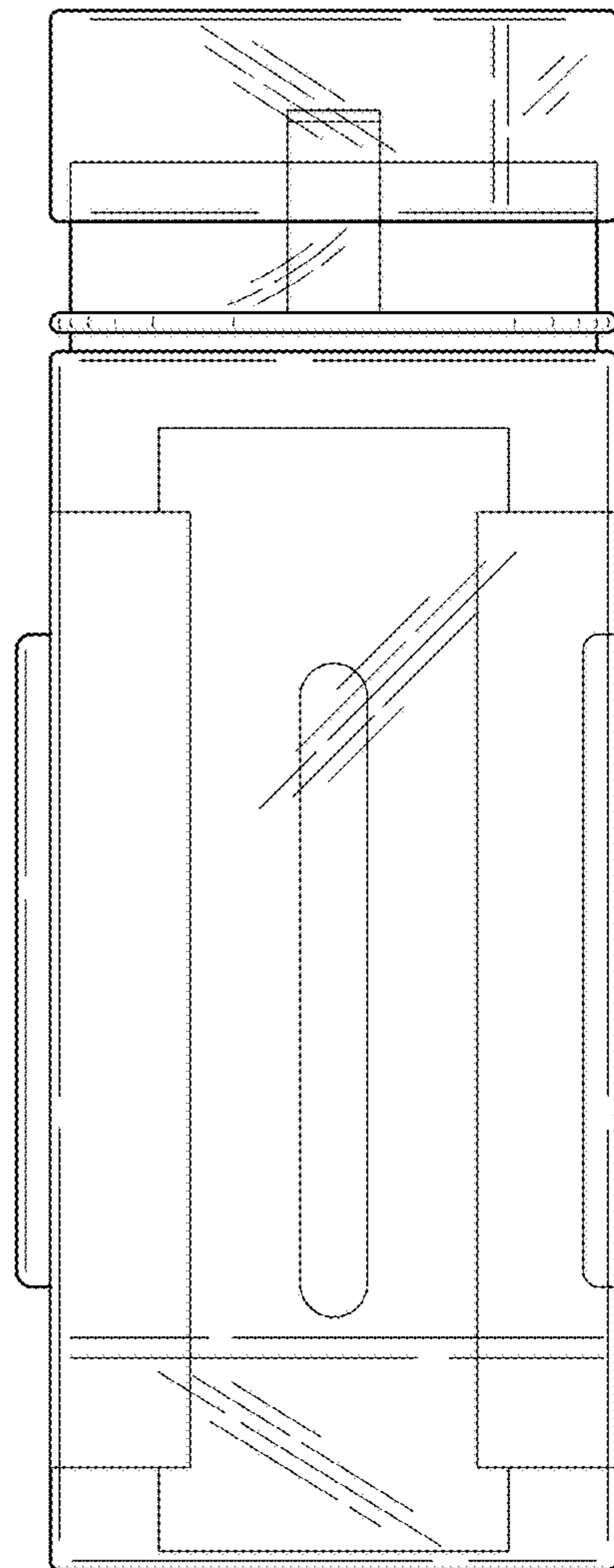


FIG. 5

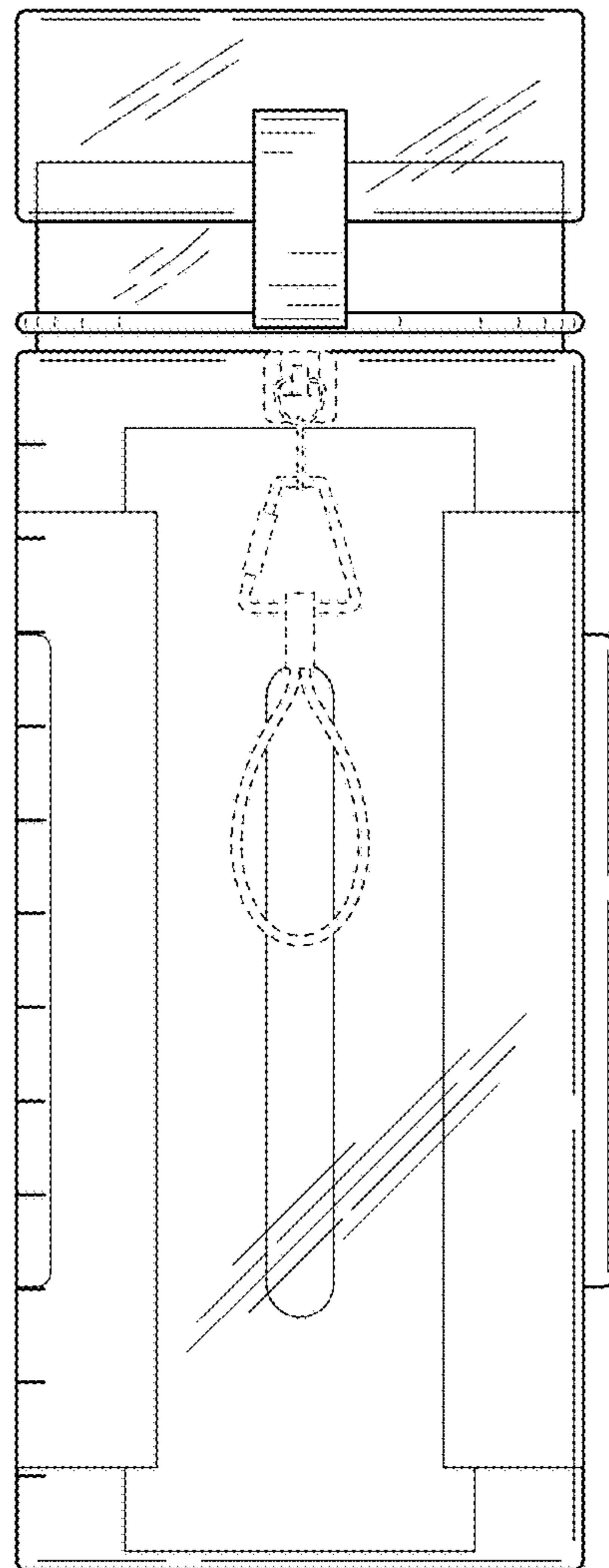


FIG. 6

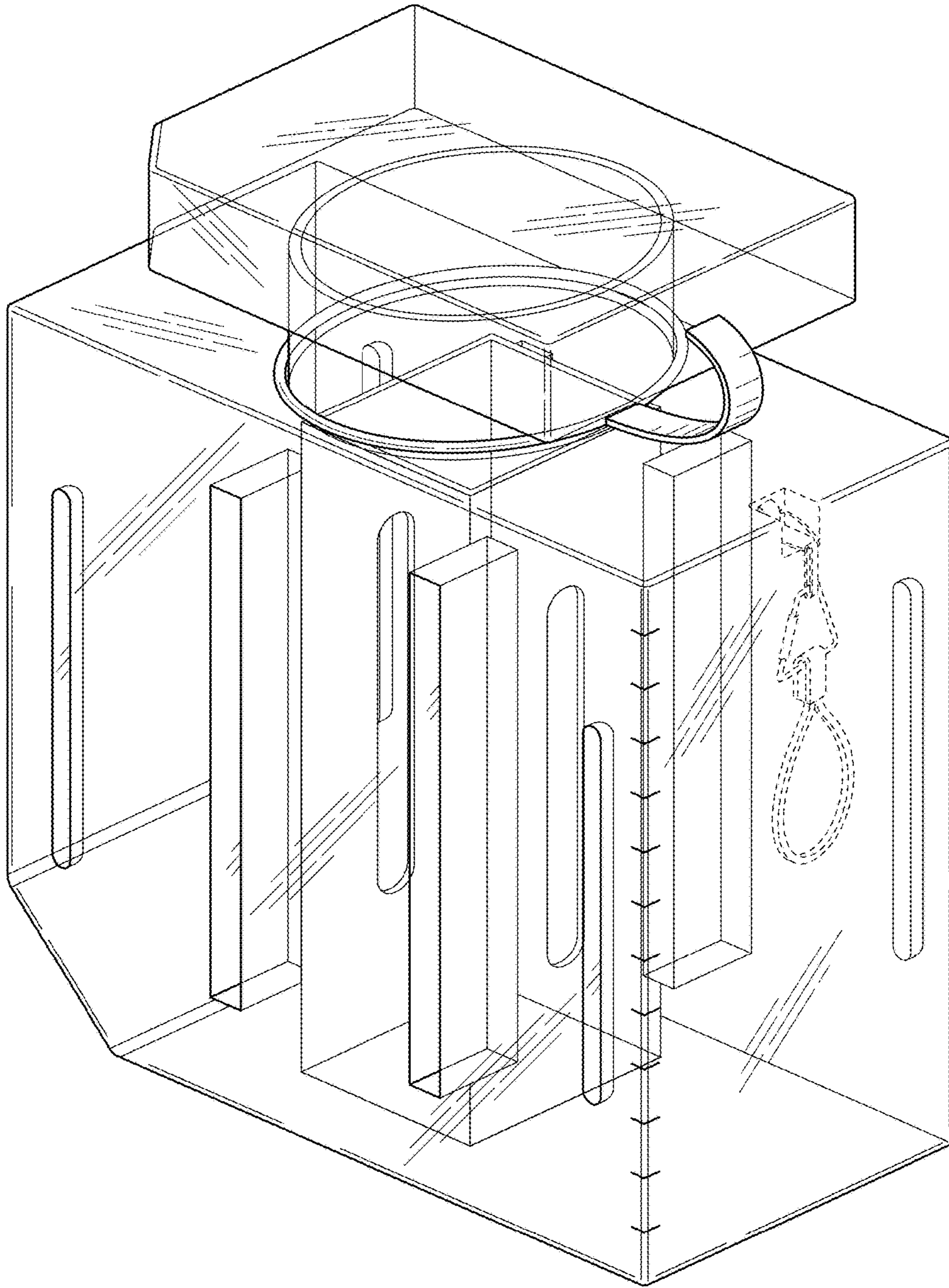


FIG. 7

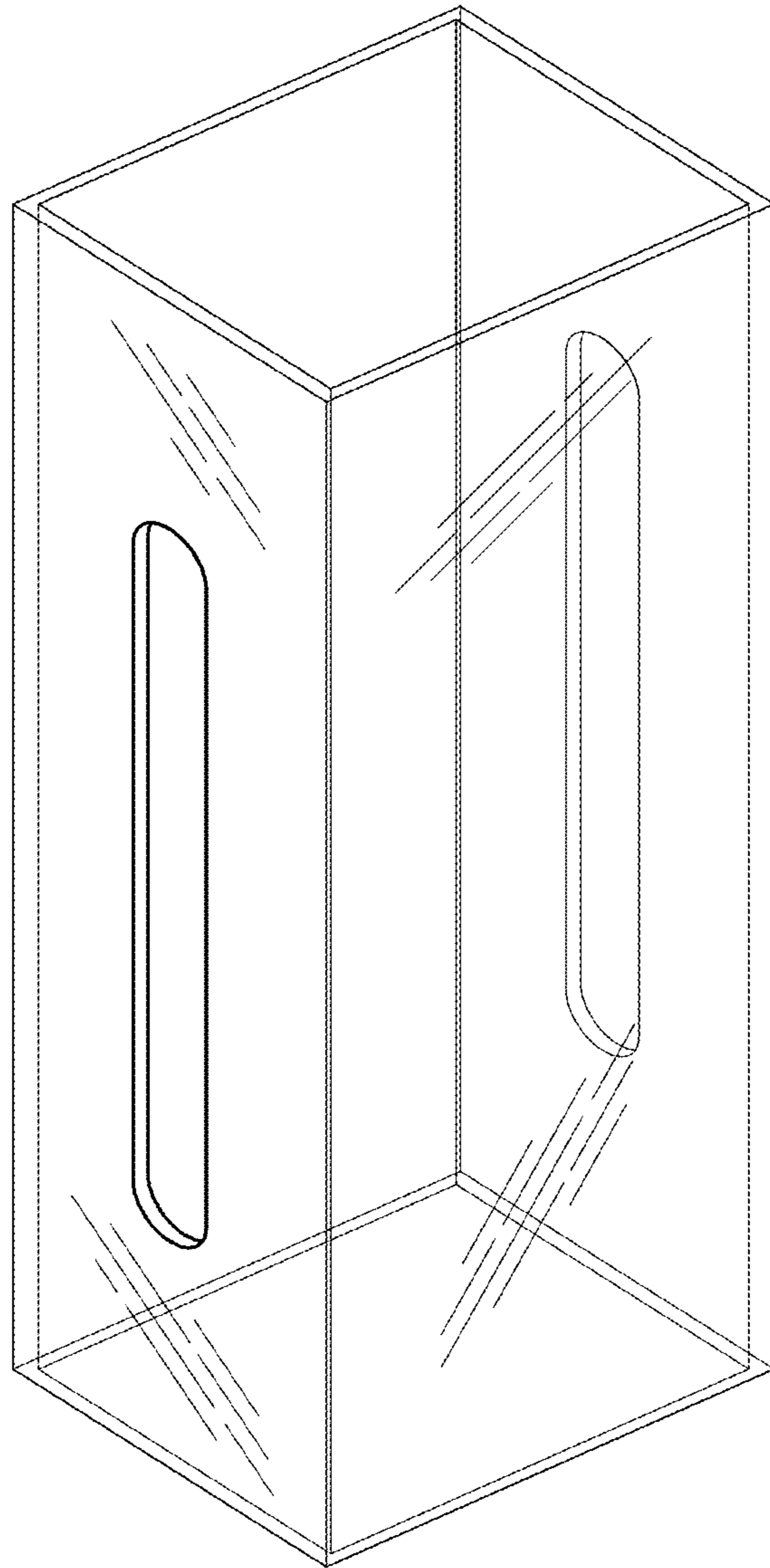


FIG. 8