

US00D796961S

(12) **United States Design Patent** (10) **Patent No.:** **US D796,961 S**  
**Klein et al.** (45) **Date of Patent:** **\*\* Sep. 12, 2017**

(54) **BOTTLE WITH CAP** 2543/00074; B65D 2543/00083; B65D 2543/00092; B65D 2543/00101; B65D 2543/00111

(71) Applicant: **LIFE TECHNOLOGIES CORPORATION**, Carlsbad, CA (US) See application file for complete search history.

(72) Inventors: **Sandro Klein**, Irvine, CA (US); **Xin Mathers**, Poway, CA (US); **Pawel Zygier**, Warsaw (PL); **Adrian Bird**, Bicester (GB)

(56) **References Cited**

U.S. PATENT DOCUMENTS

D273,563 S \* 4/1984 Jeans ..... D9/414  
D304,509 S \* 11/1989 Bakic ..... D28/84

(Continued)

(73) Assignee: **Life Technologies Corporation**, Carlsbad, CA (US)

*Primary Examiner* — Keli L Hill

(\*\*) Term: **15 Years**

(57) **CLAIM**

The ornamental design for a bottle with cap, as shown and described.

(21) Appl. No.: **35/001,139**

(22) Filed: **Jan. 11, 2016**

**DESCRIPTION**

(80) **Hague Agreement Data**

Int. Filing Date: **Jan. 11, 2016**  
Int. Reg. No.: **DM/091642**  
Int. Reg. Date: **Jan. 11, 2016**  
Int. Reg. Pub. Date: **Jul. 29, 2016**

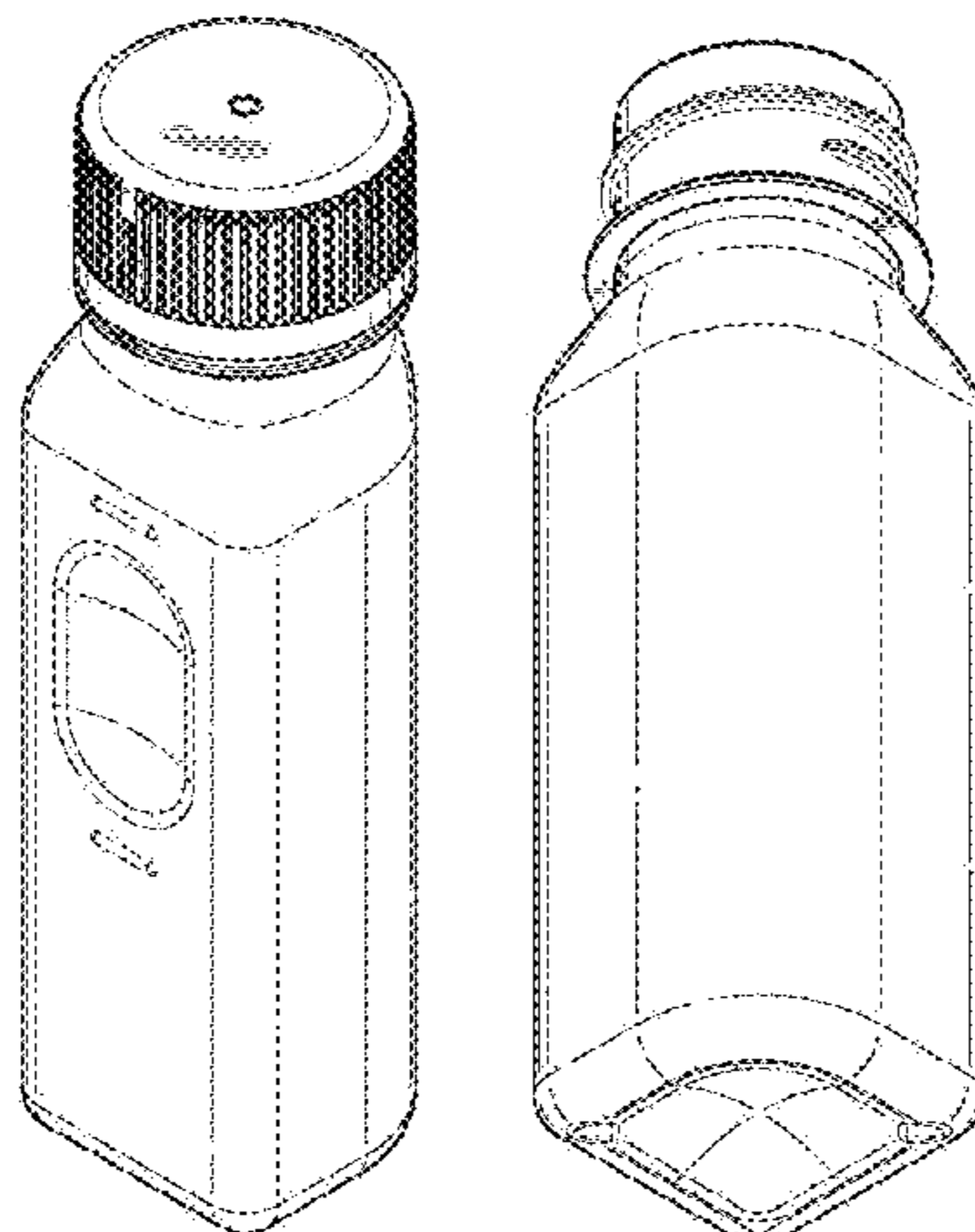
- 1. Bottle with cap
- 1.1 : Perspective front
- 1.2 : Perspective back
- 1.3 : Front
- 1.4 : Back
- 1.5 : Left
- 1.6 : Right
- 1.7 : Top
- 1.8 : Bottom
- 1.9 : Perspective front
- 1.10 : Perspective back
- 1.11 : Front
- 1.12 : Back
- 1.13 : Left
- 1.14 : Right
- 1.15 : Top
- 1.16 : Back
- 1.17 : Perspective front
- 1.18 : Perspective back
- 1.19 : Front
- 1.20 : Back
- 1.21 : Left
- 1.22 : Right
- 1.23 : Top

(51) **LOC (10) Cl.** ..... **09-01**

(52) **U.S. Cl.**  
USPC ..... **D9/522**

(58) **Field of Classification Search**  
USPC ..... D9/434, 435, 454-454, 516, 522, 530, D9/537, 539, 540, 542, 543, 561, 564, D9/575; 215/381-385; 220/660, 669, 220/675  
CPC ... B65D 1/00; B65D 1/02; B65D 1/12; B65D 1/14; B65D 1/40; B65D 1/44; B65D 1/023; B65D 1/0223; B65D 1/165; B65D 1/238; B65D 1/246; B65D 1/253; B65D 7/04; B65D 21/0209; B65D 21/0233; B65D 25/00; B65D 25/28; B65D 41/0457; B65D 41/17; B65D 53/06; B65D 75/56; B65D 79/005; B65D 2501/0036; B65D 2543/00064; B65D

(Continued)



1.24 : Bottom

1.1-1.8: Bottle with cap; 1.9-1.16: Bottle; 1.17-1.24: Cap.

**1 Claim, 24 Drawing Sheets**

(56)

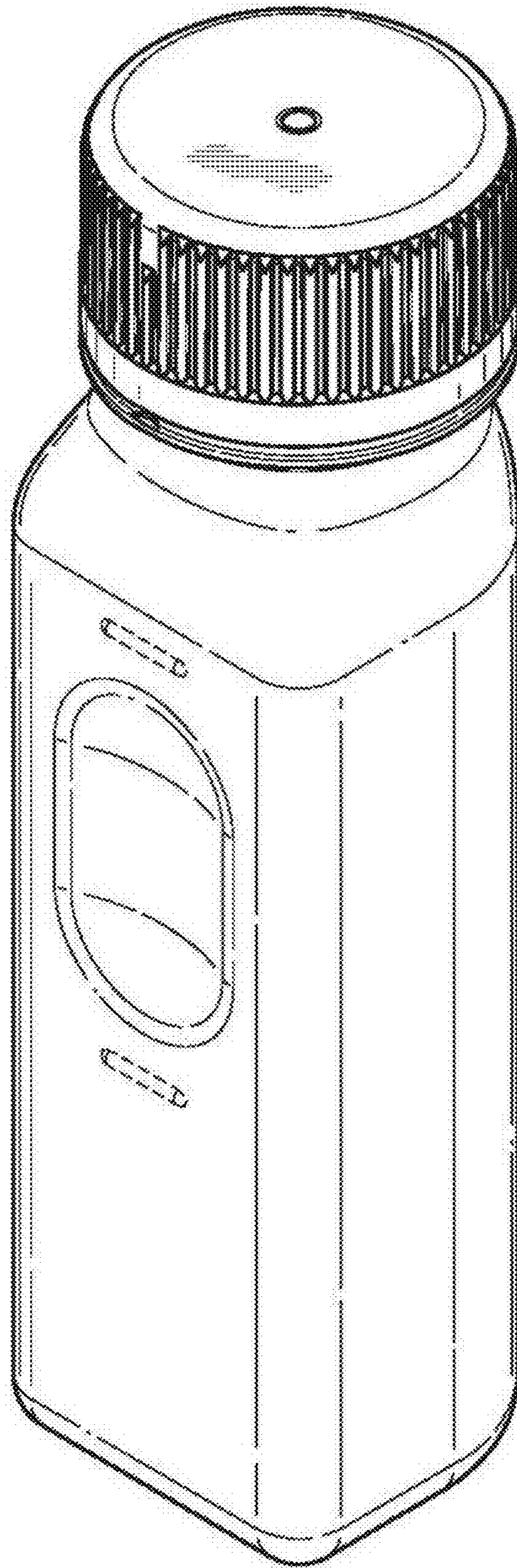
**References Cited**

U.S. PATENT DOCUMENTS

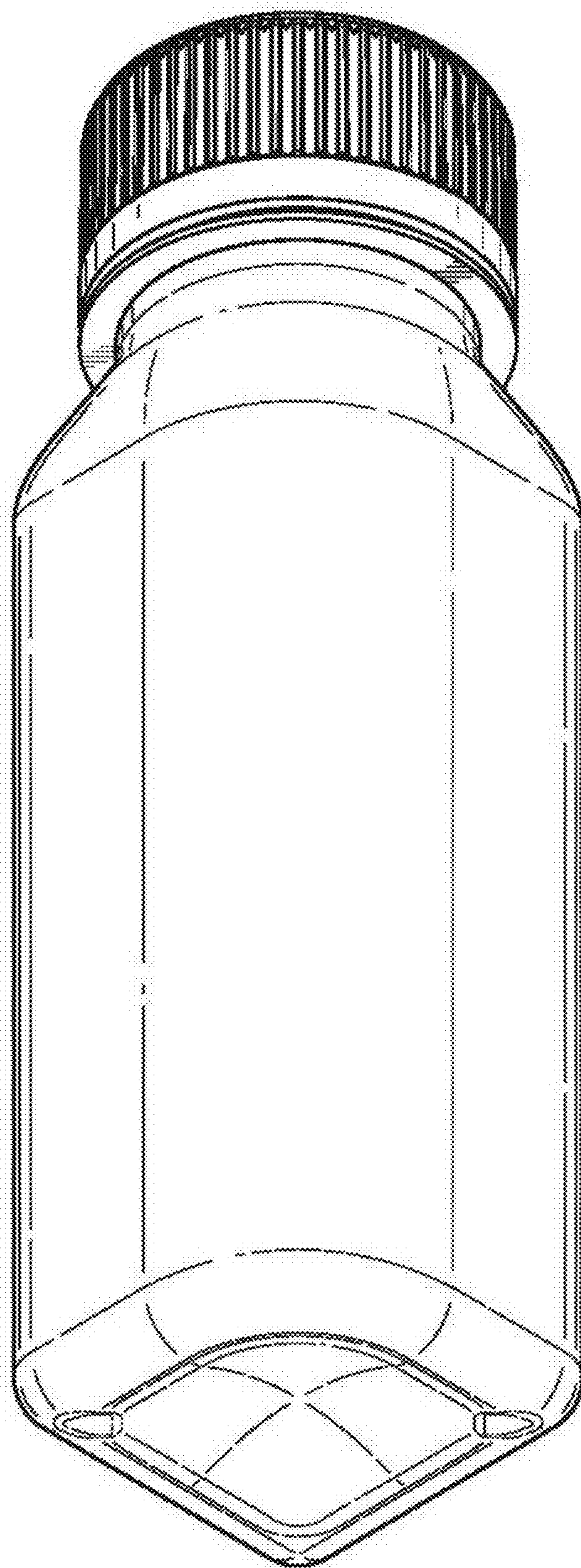
D326,223	S	*	5/1992	Dova	.....	D9/452
D379,764	S	*	6/1997	Litton	.....	D9/452
D451,028	S	*	11/2001	Guseo	.....	D9/522
D538,165	S	*	3/2007	Rittman	.....	D9/452
D564,884	S	*	3/2008	Rittman	.....	D9/452
D611,355	S	*	3/2010	Kim	.....	D9/435
D615,410	S	*	5/2010	Lett	.....	D9/435
D642,924	S	*	8/2011	Newton	.....	D9/443
D660,180	S	*	5/2012	Floyd	.....	D9/445
D686,500	S	*	7/2013	Weil	.....	D9/522
D763,691	S	*	8/2016	Marantis	.....	D9/434
D778,160	S	*	2/2017	Orset	.....	D9/434

\* cited by examiner

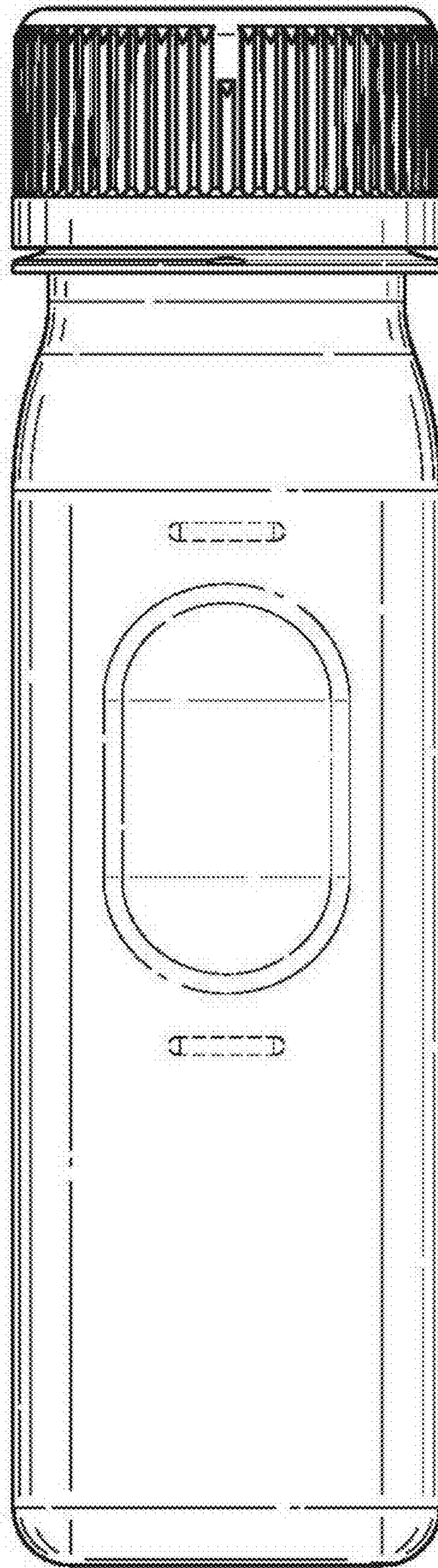
1.1



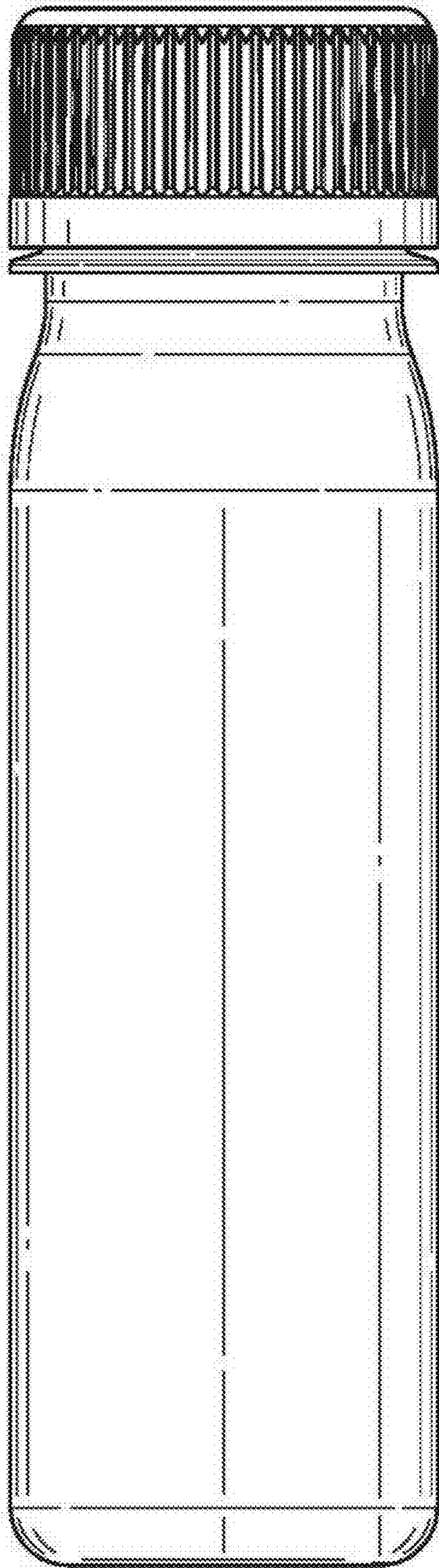
1.2



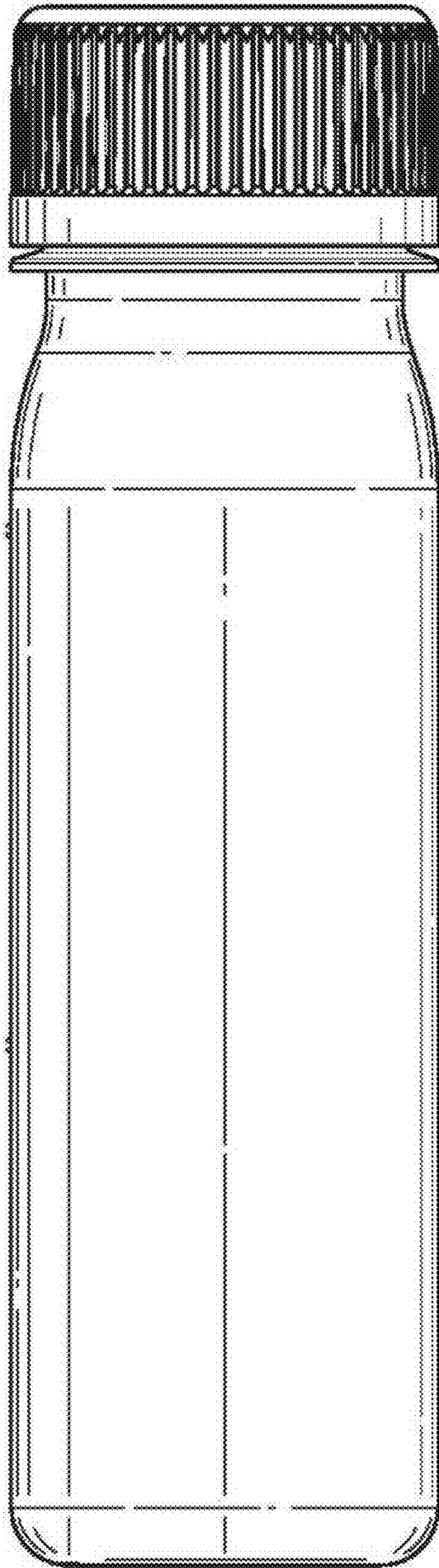
1.3



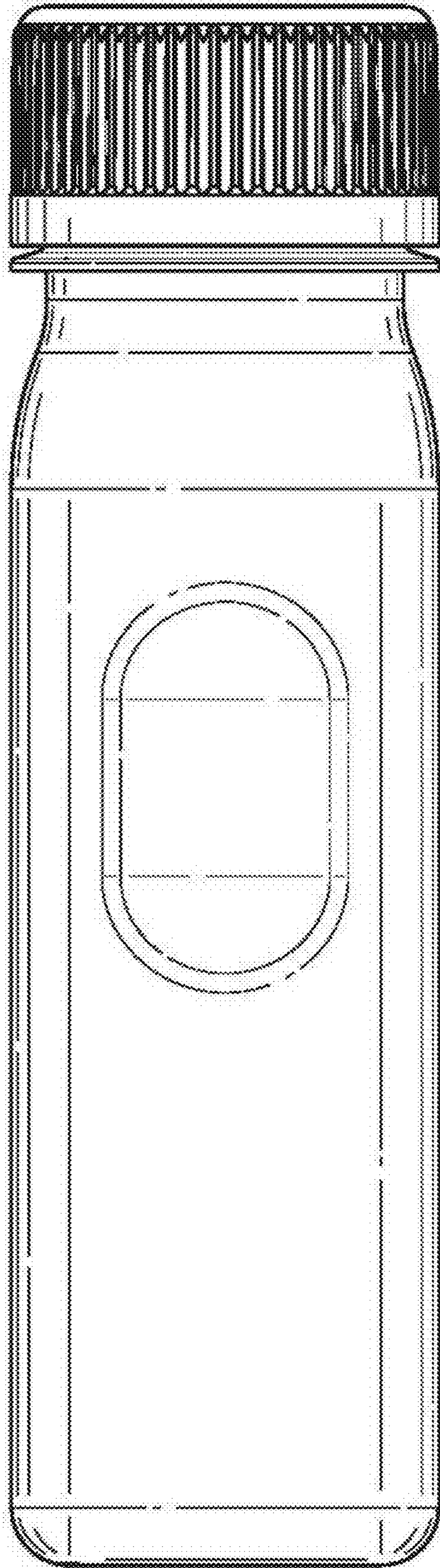
1.4



1.5

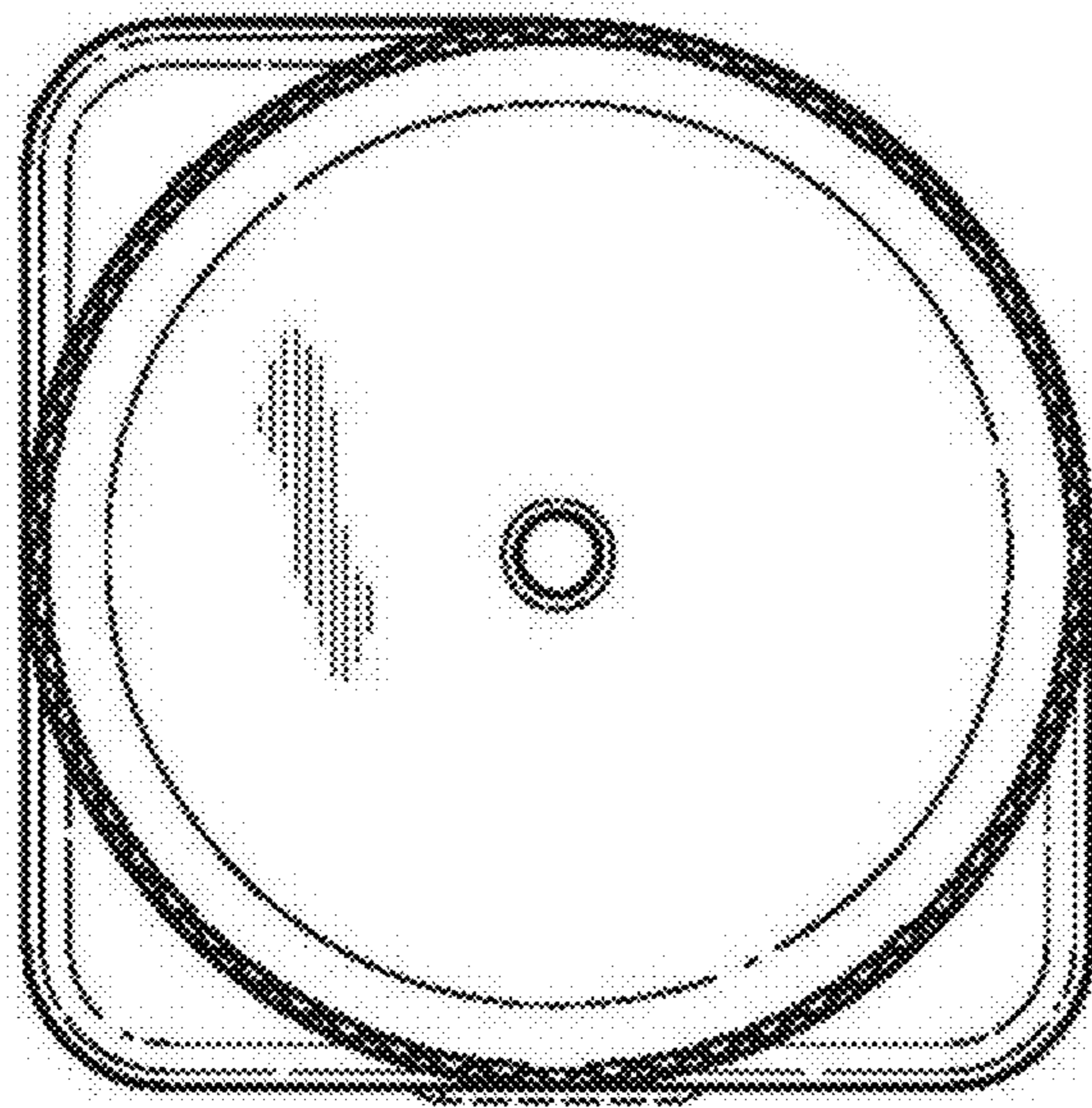


1.6

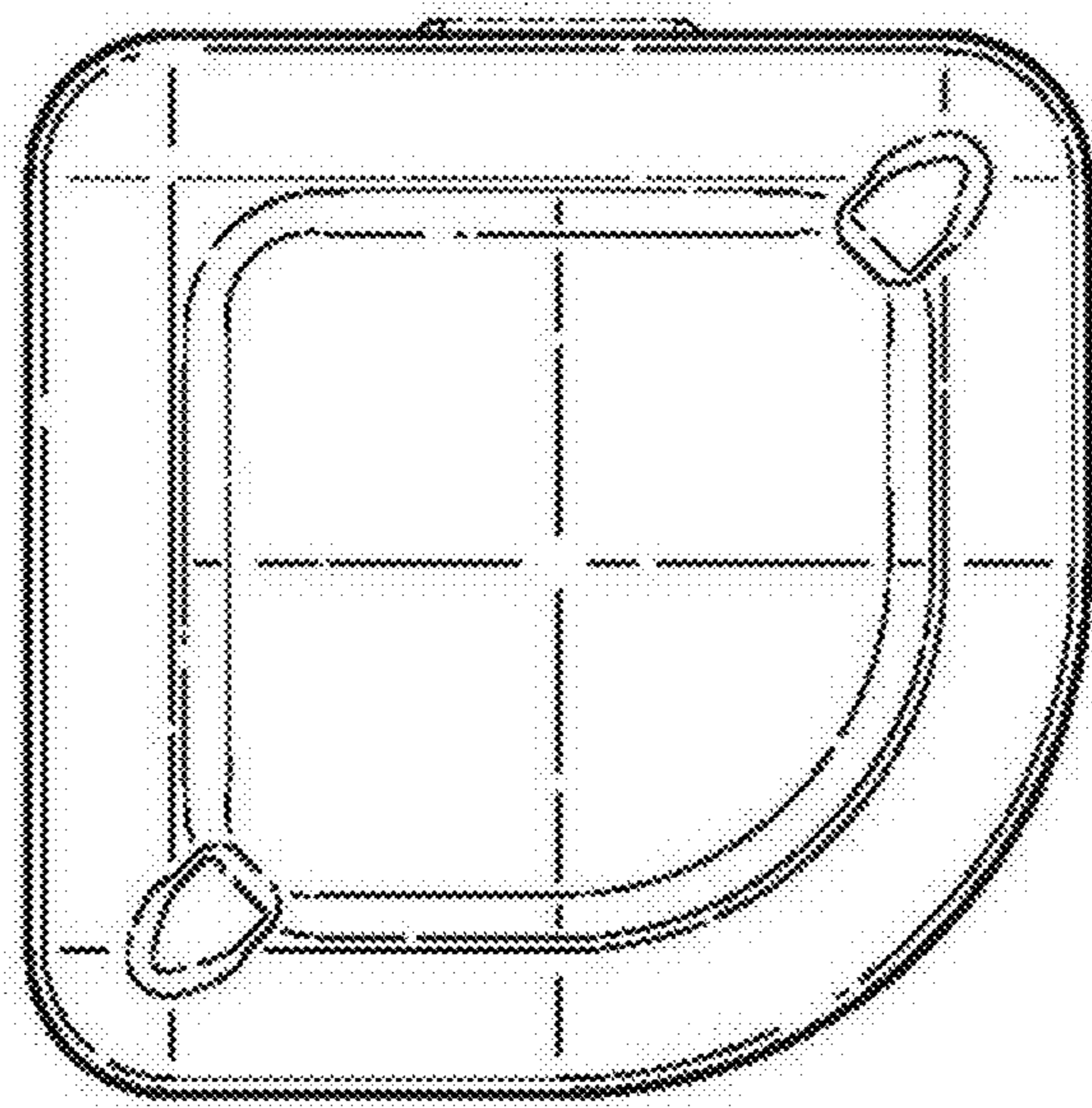




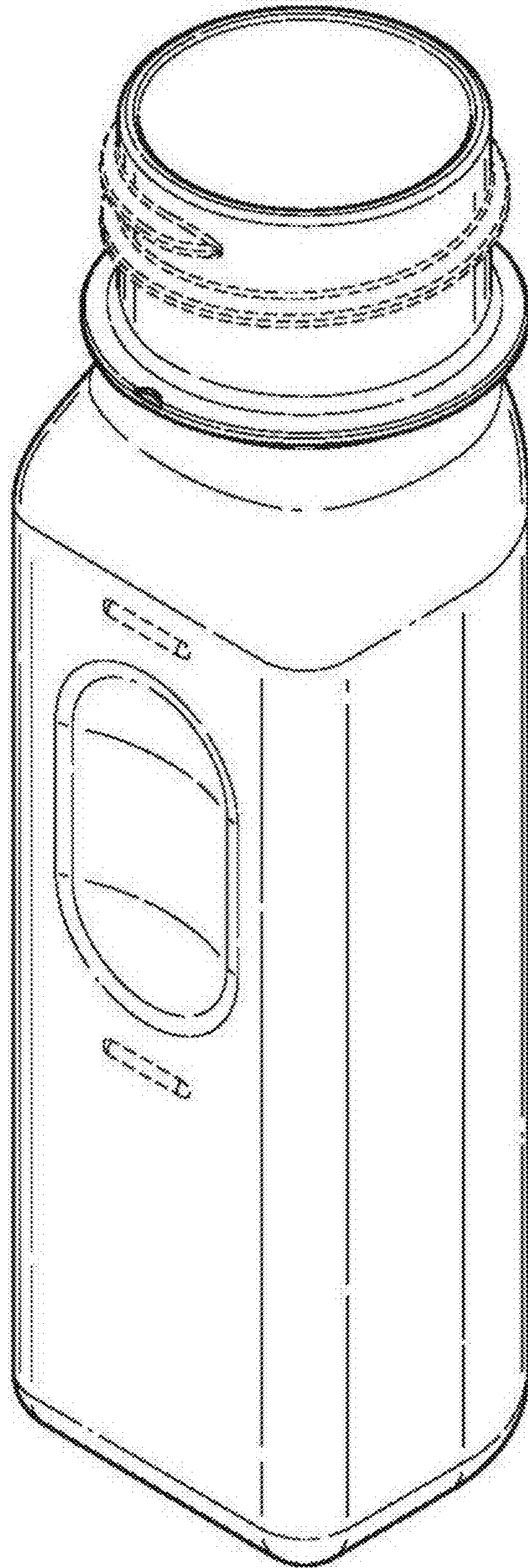
1.7



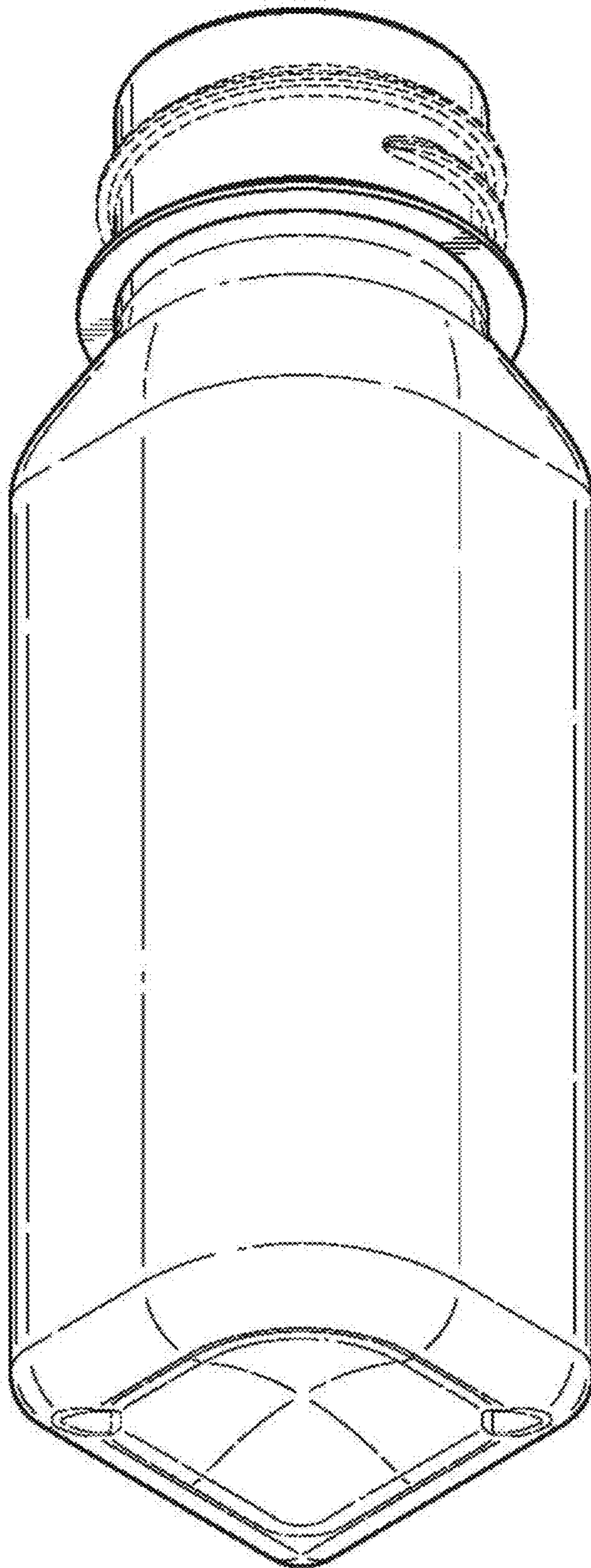
1.8



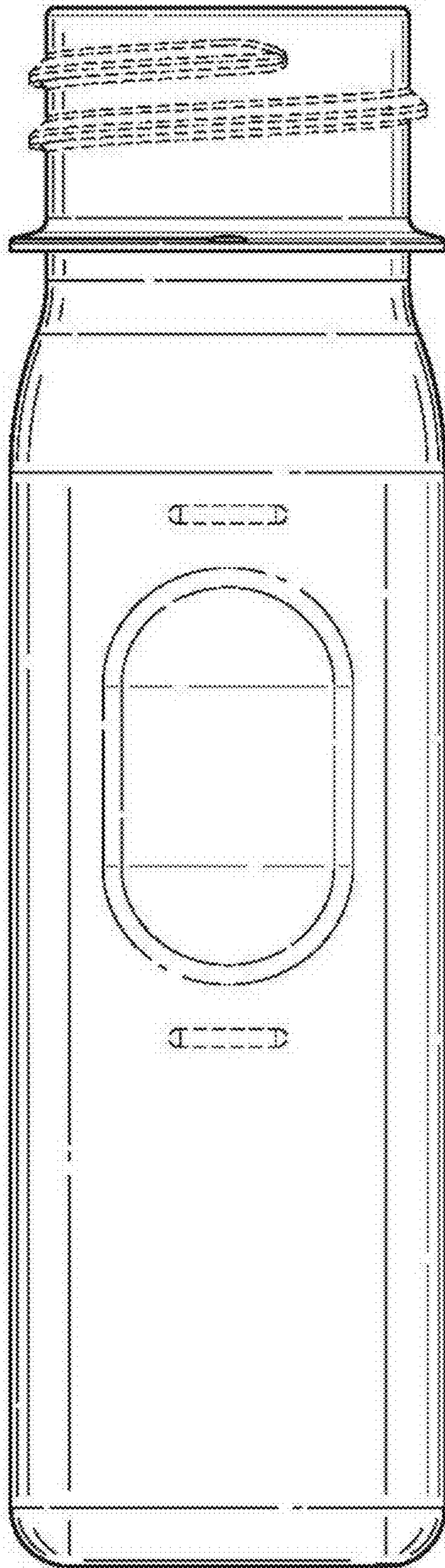
1.9



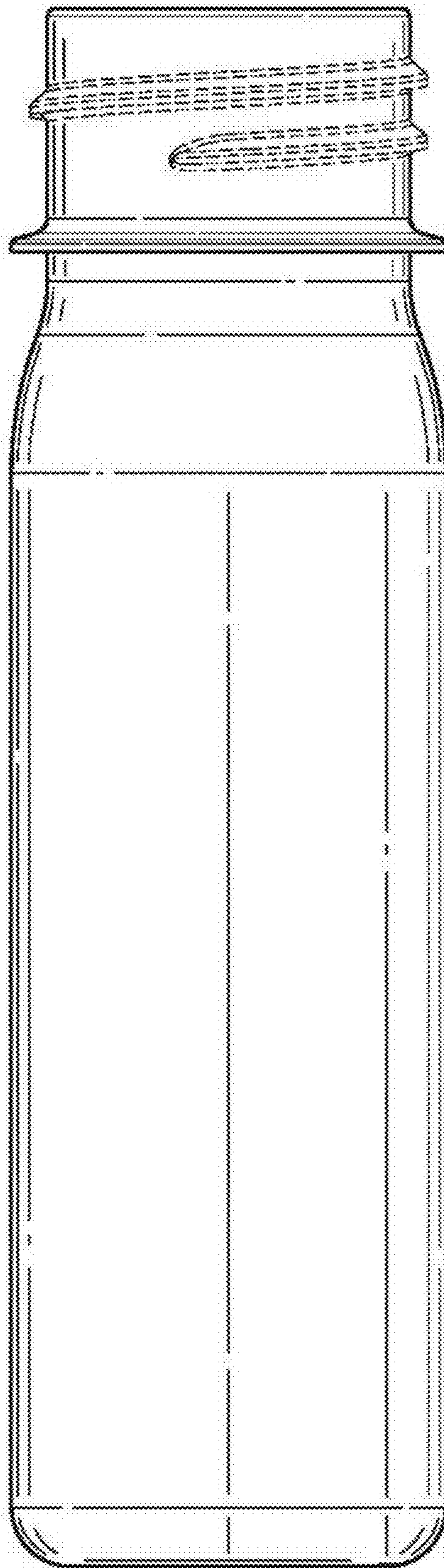
1.10



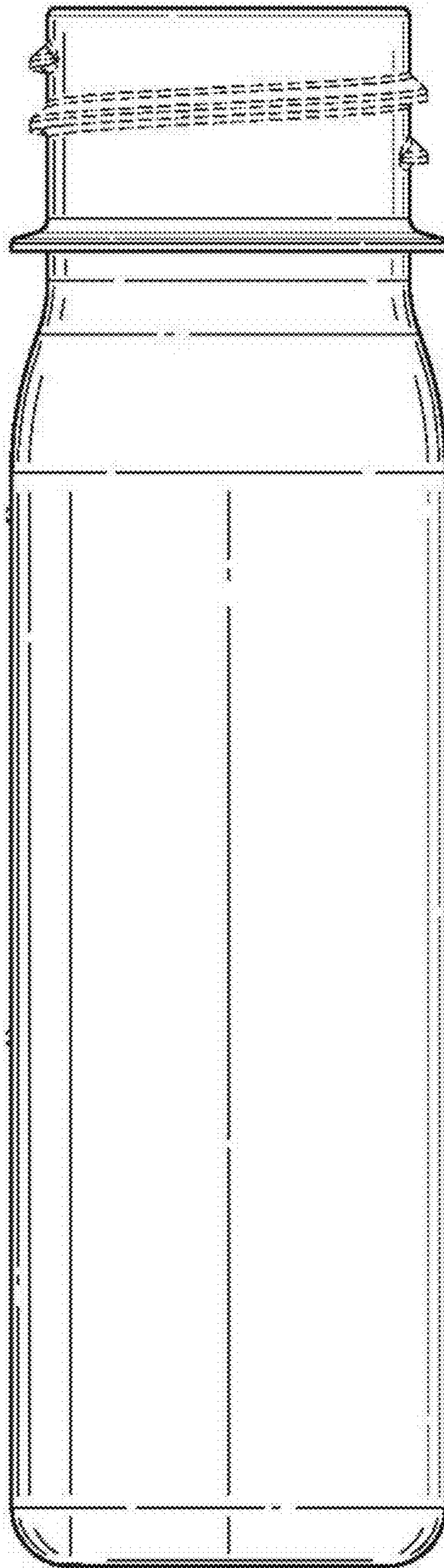
1.11



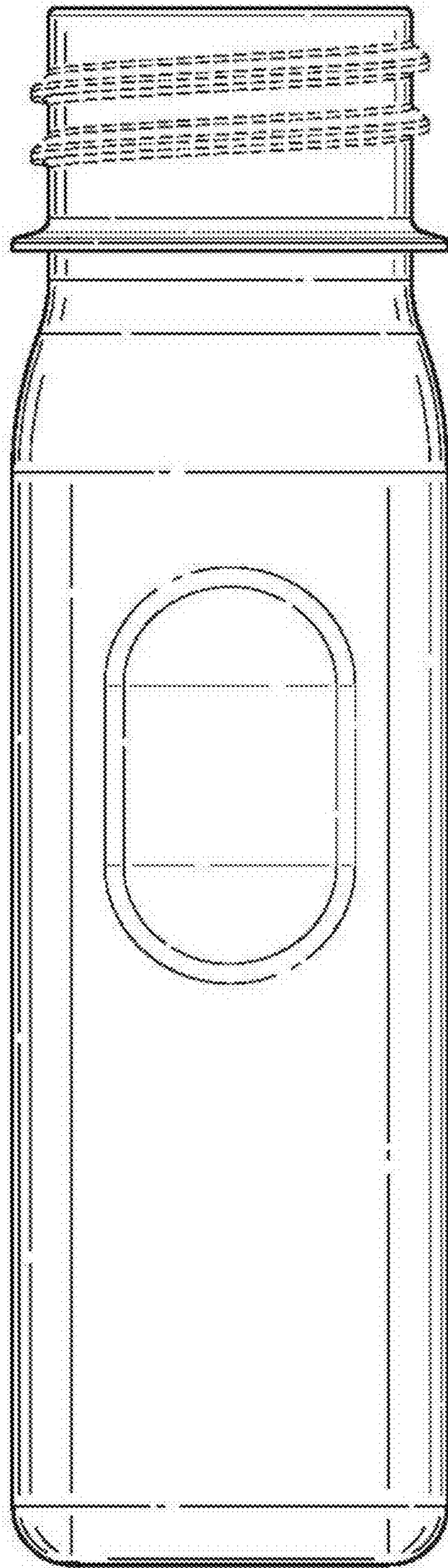
1.12



1.13

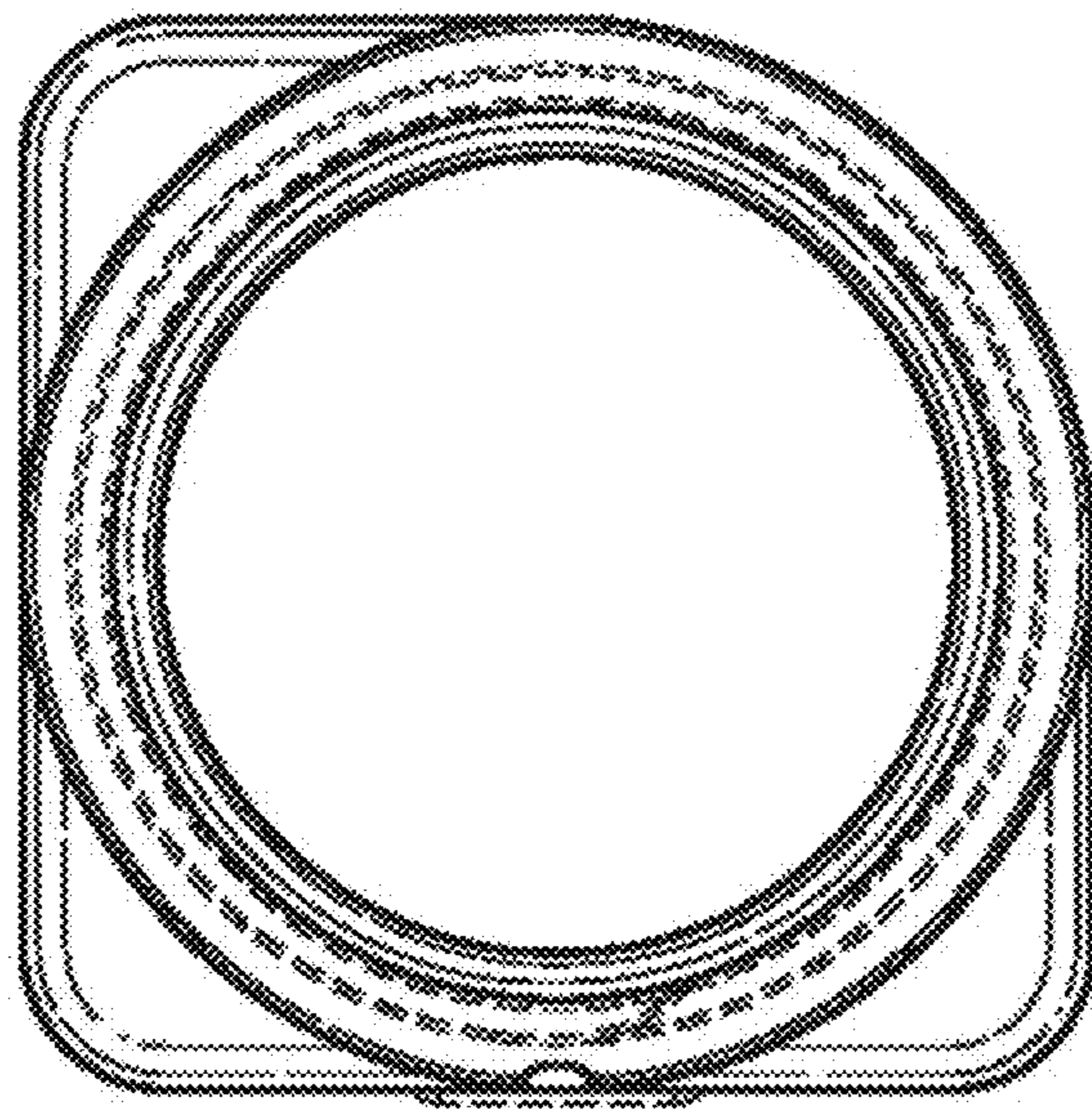


1.14

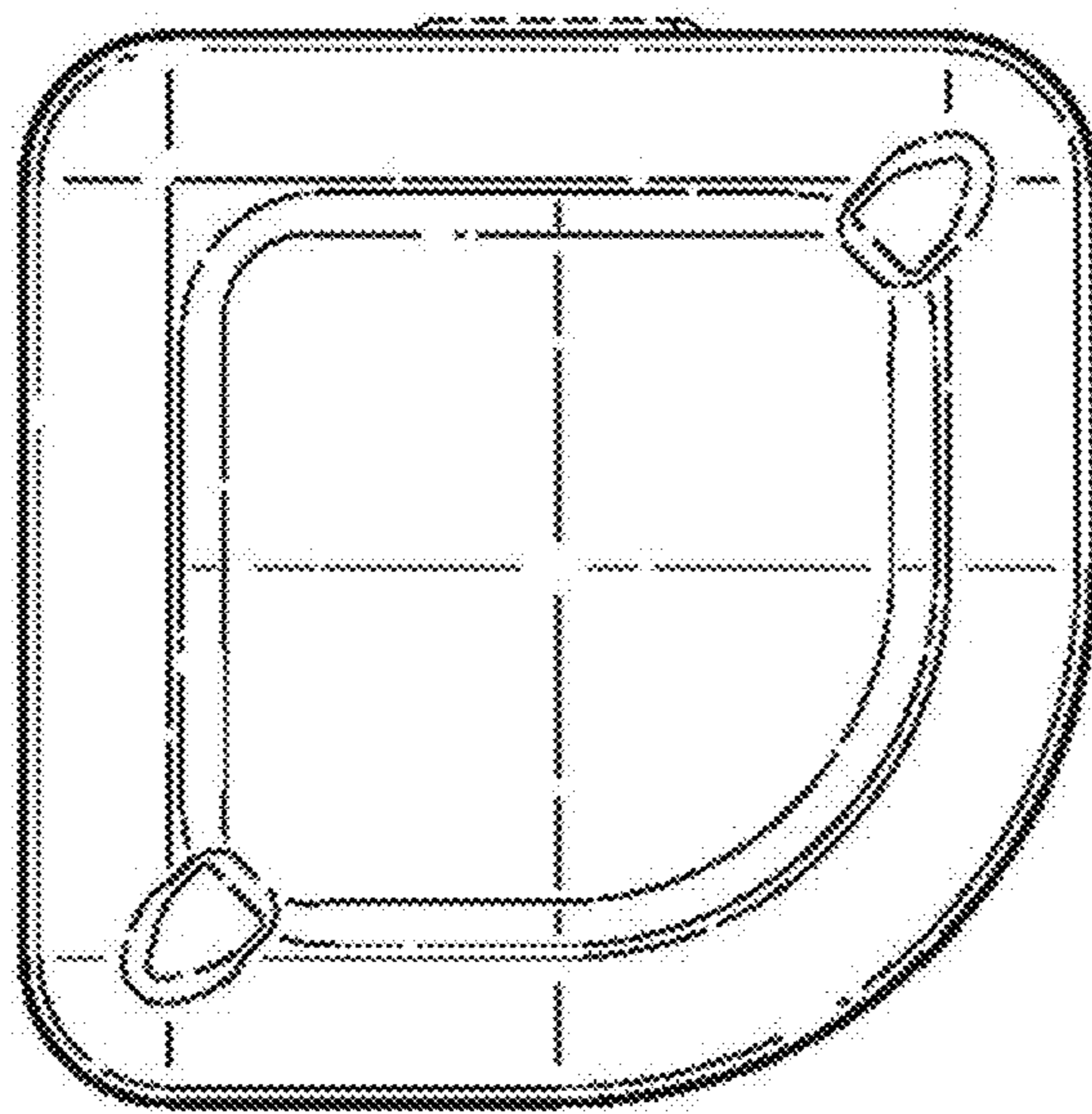




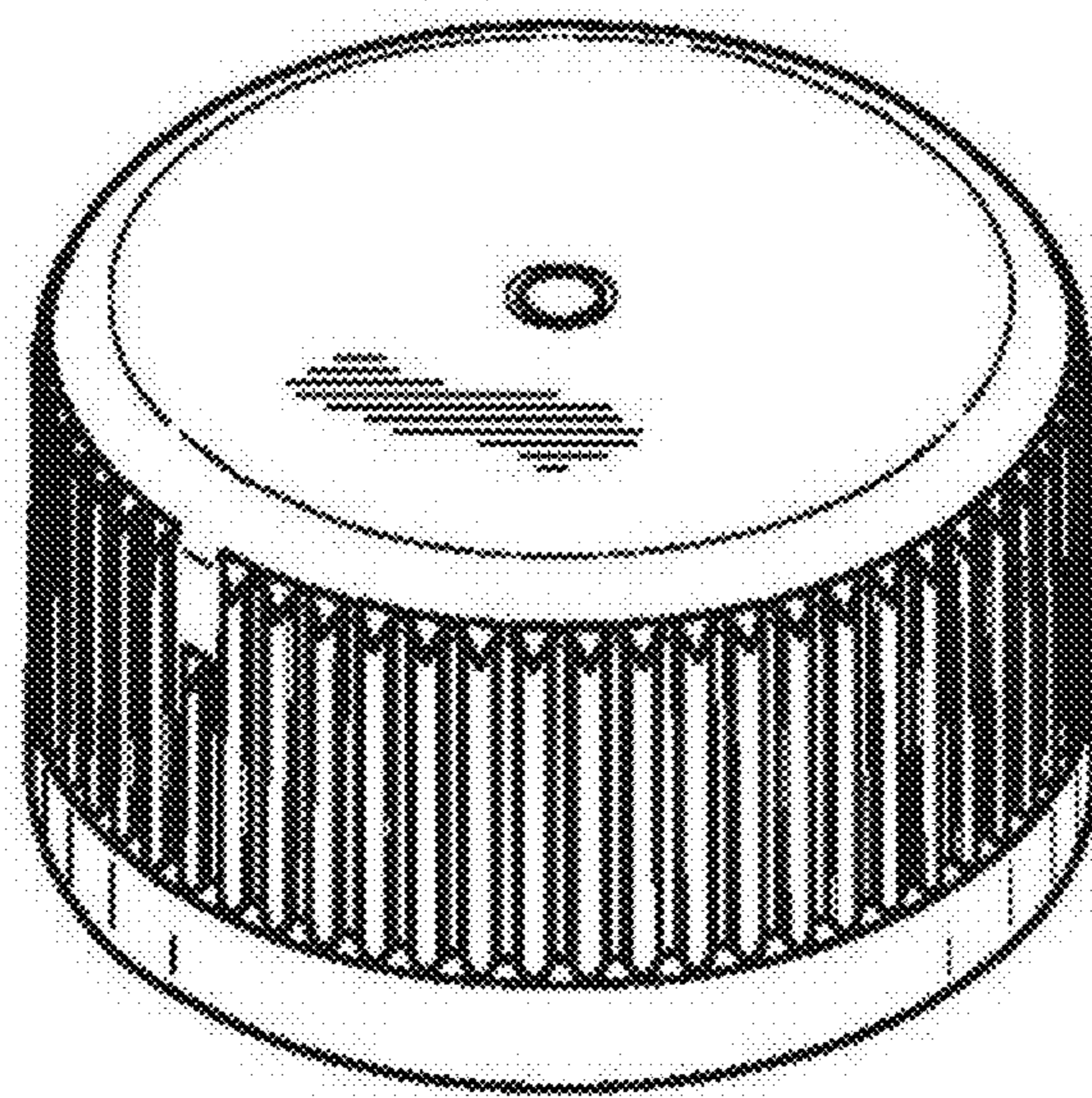
1.15



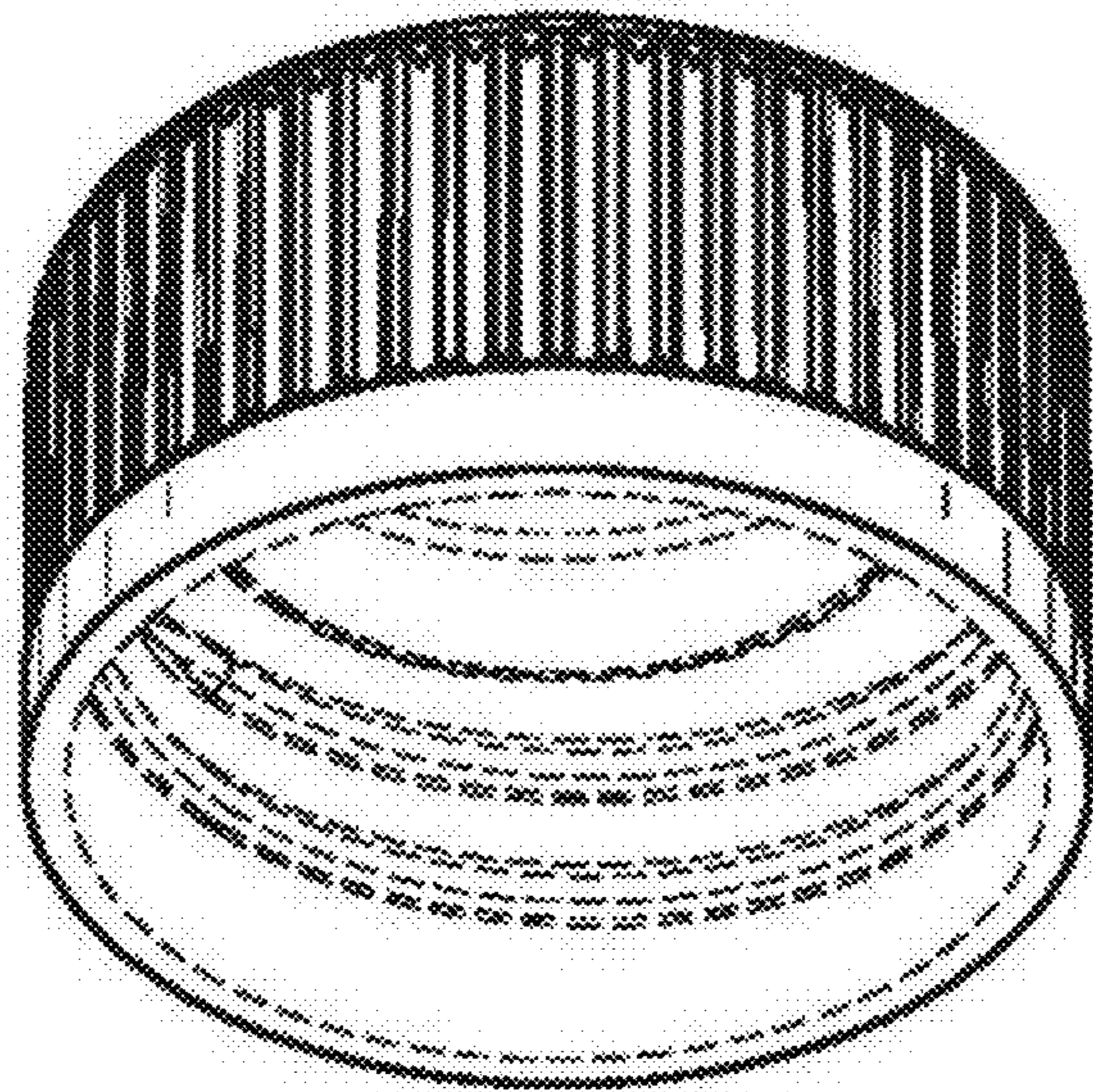
1.16



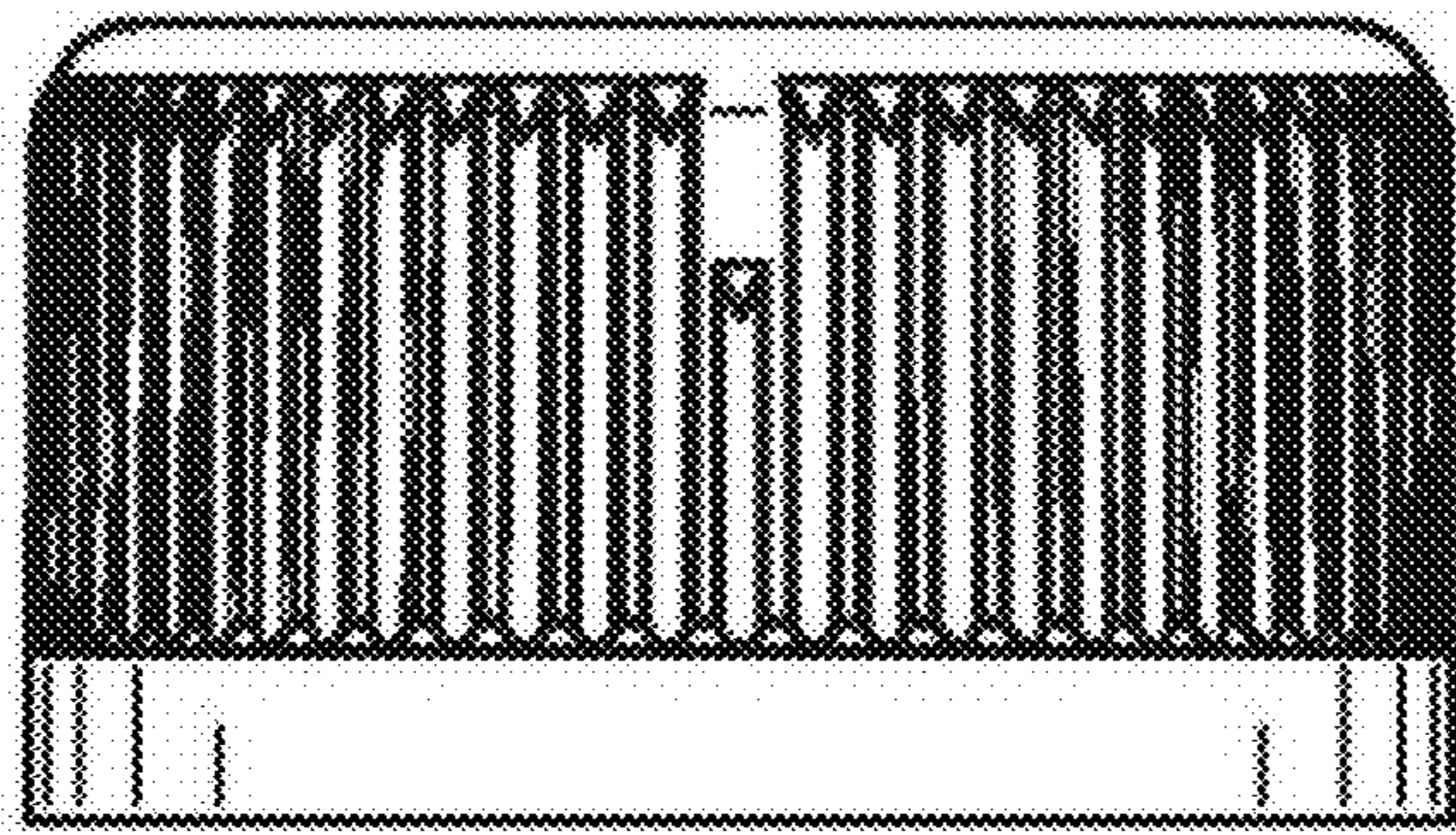
1.17



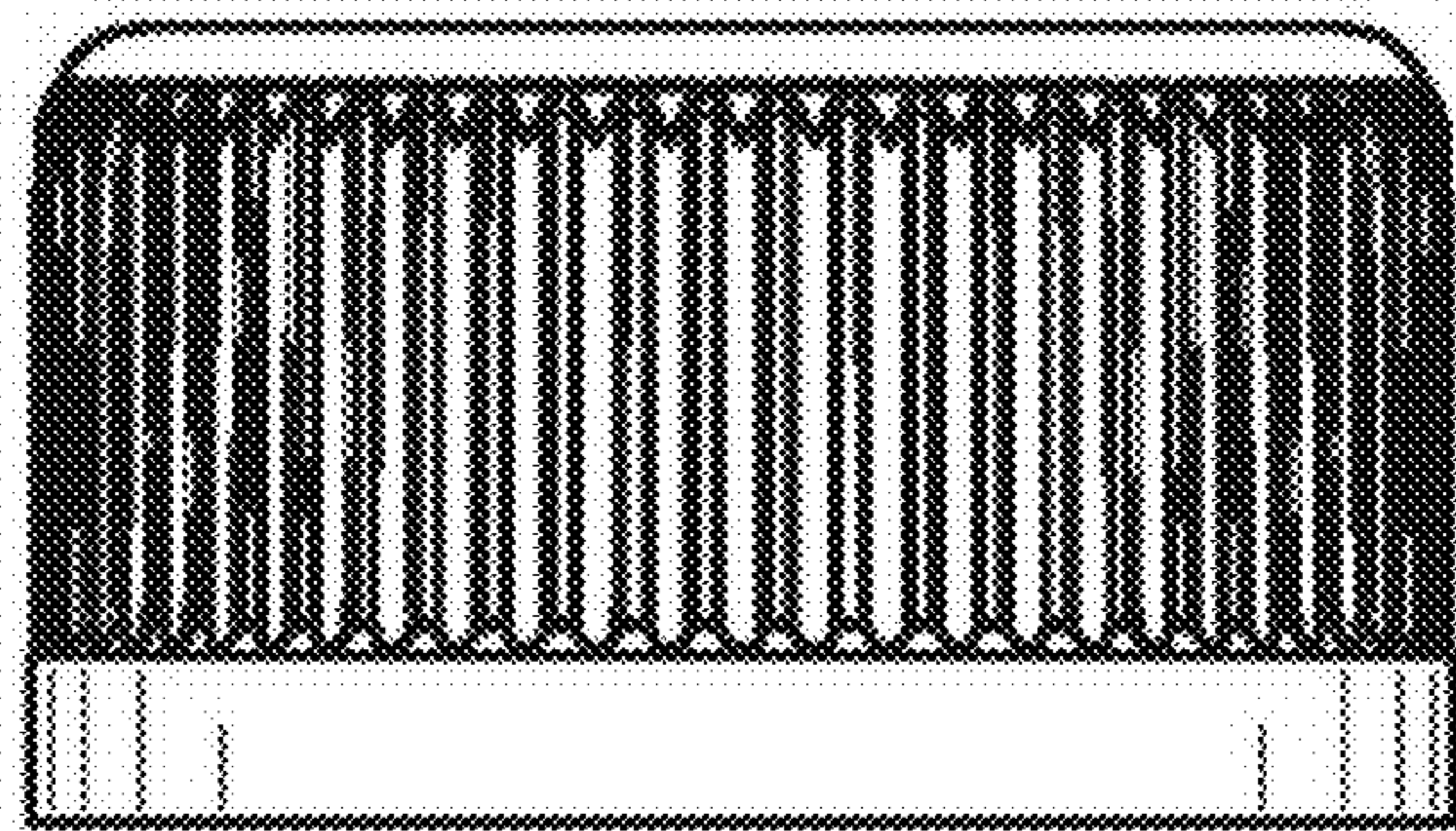
1.18



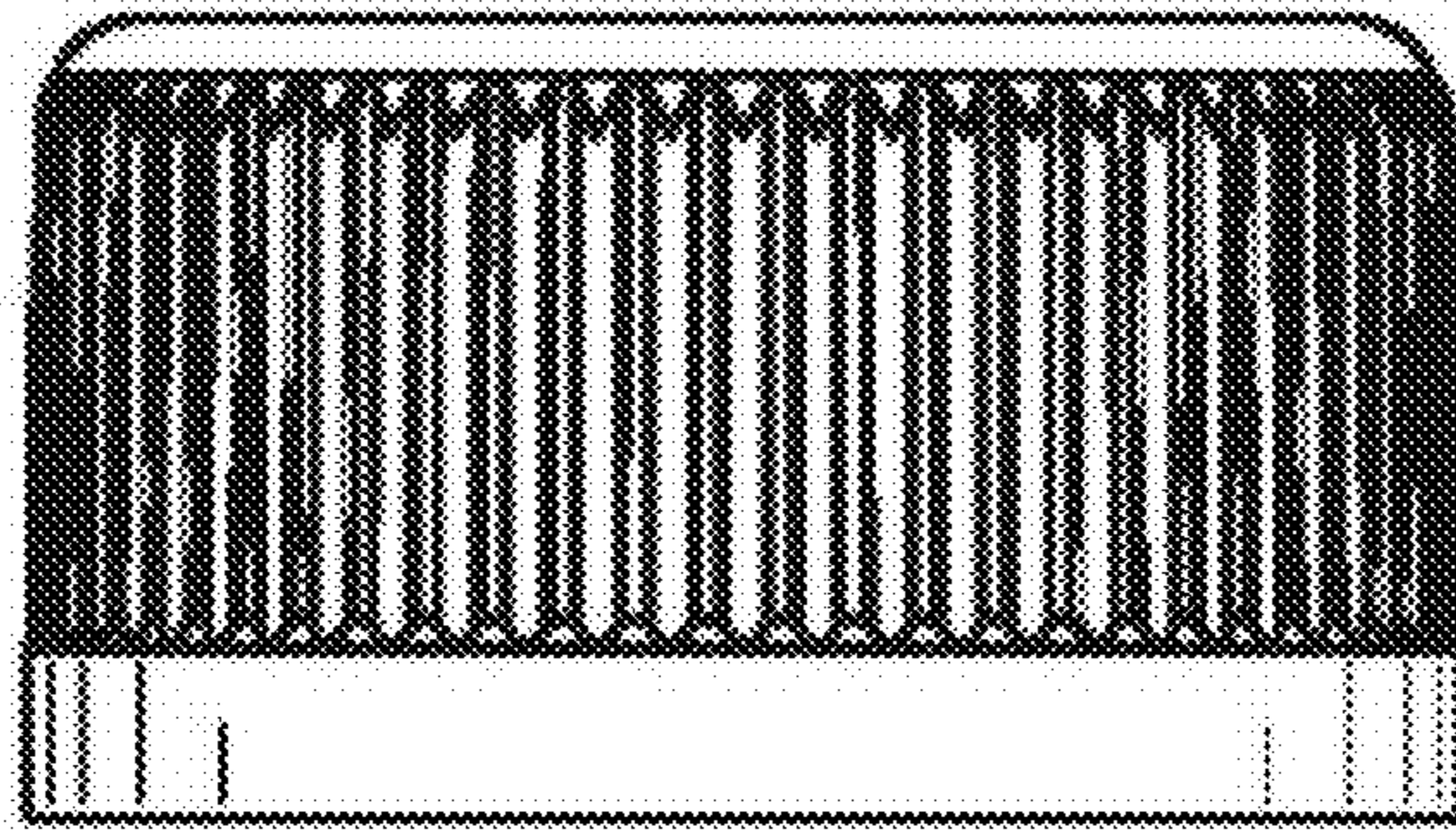
1.19



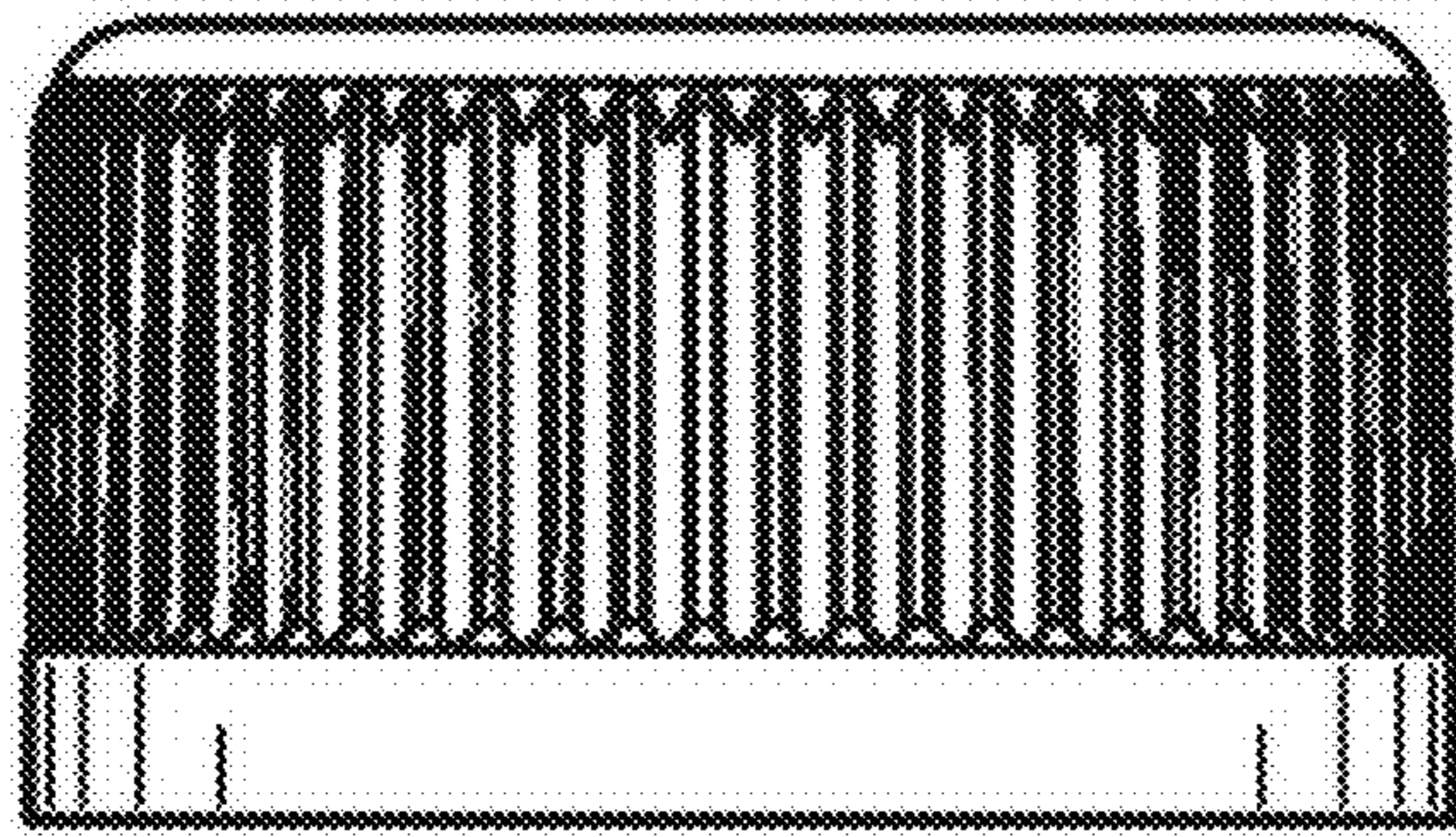
1.20



1.21

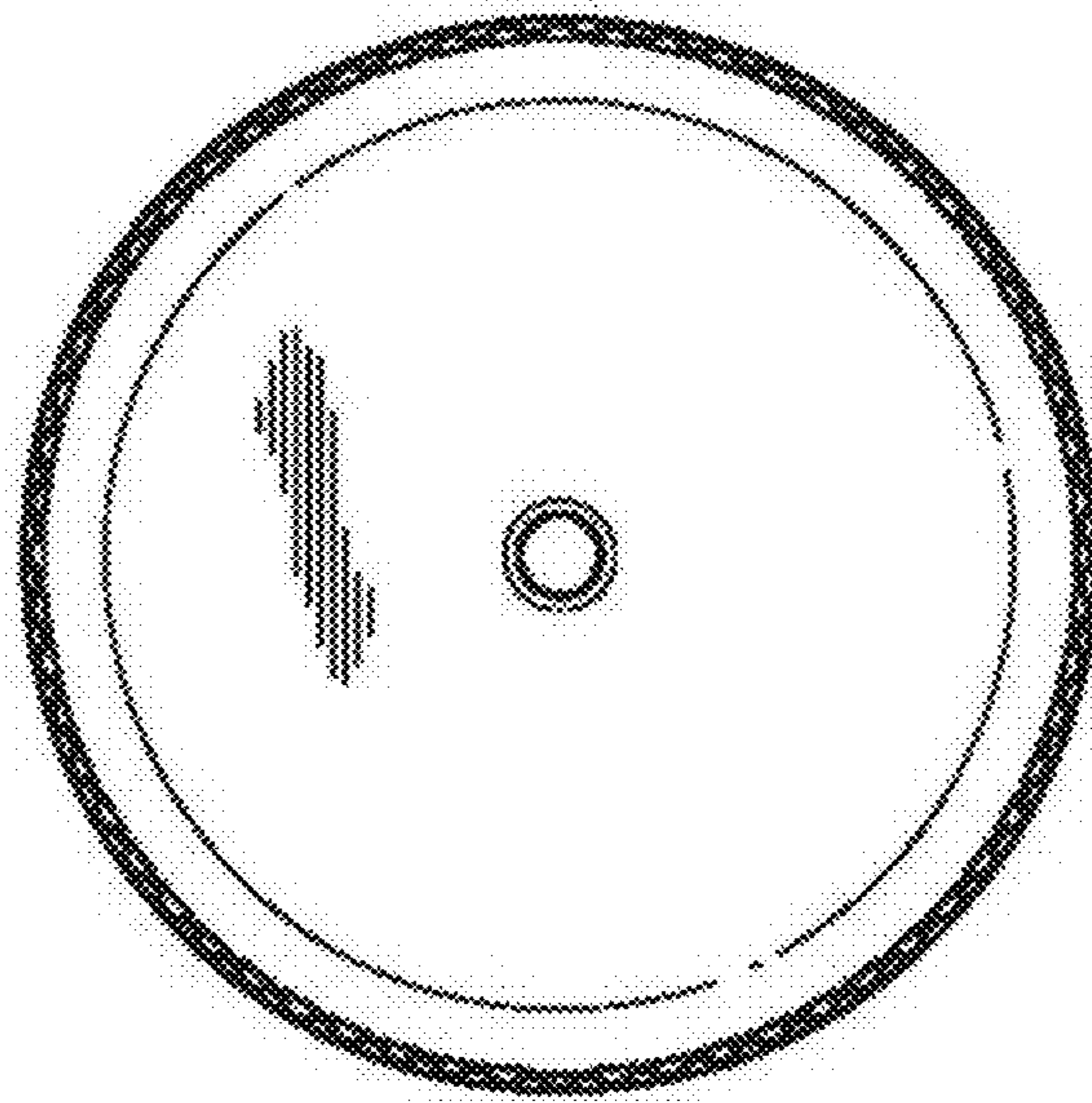


1.22





1.23



1.24

