

US00D796958S

(12) **United States Design Patent** (10) **Patent No.:** **US D796,958 S**
Letamendi (45) **Date of Patent:** **** Sep. 12, 2017**

(54) **BOTTLES BASE**
(71) Applicant: **SERIES NEMO, S.L.**, Barcelona (ES)
(72) Inventor: **Jokin Arregui Letamendi**, Barcelona (ES)
(**) Term: **15 Years**
(21) Appl. No.: **35/500,339**
(22) Filed: **Nov. 4, 2015**
(80) **Hague Agreement Data**
Int. Filing Date: **Nov. 4, 2015**
Int. Reg. No.: **DM/088349**
Int. Reg. Date: **Nov. 4, 2015**
Int. Reg. Pub. Date: **Dec. 11, 2015**

D472,810 S *	4/2003	Gelardi	D9/418
D561,026 S *	2/2008	Rica	D9/500
D576,043 S *	9/2008	Rica	D9/500
D576,047 S *	9/2008	Reihle	D9/500
D602,360 S *	10/2009	Eisen	D9/500
D604,617 S *	11/2009	Shearsby	D9/516
D629,693 S *	12/2010	Rica	D9/500
D637,082 S *	5/2011	Delbon	D9/500
D637,083 S *	5/2011	Delbon	D9/500
RE43,104 E *	1/2012	Rica	D9/520
D652,301 S *	1/2012	Pelkey	D9/500
D652,720 S *	1/2012	Pelkey	D9/500
D652,721 S *	1/2012	Pelkey	D9/500
D653,958 S *	2/2012	Lauret	D9/558
D655,576 S *	3/2012	Samartgis	D7/602
D655,578 S *	3/2012	Samartgis	D7/602
D678,068 S *	3/2013	Huang	D9/500
D700,481 S *	3/2014	Yessin	D7/602
D703,052 S *	4/2014	Park	D9/503
D706,620 S *	6/2014	Matsumura	D9/424
D723,372 S *	3/2015	Lecetre	D9/516
D743,259 S *	11/2015	Delacourt	D9/500
D751,408 S *	3/2016	Baron	D9/520

(30) **Foreign Application Priority Data**
May 5, 2015 (EM) 2695189
(51) **LOC (10) Cl.** **09-01**
(52) **U.S. Cl.**
USPC **D9/516; D9/500**
(58) **Field of Classification Search**
USPC D9/500, 501, 516, 520, 537-539, 541,
D9/542, 549, 558, 560, 572-574, 744,
D9/745; D7/584, 586, 630
CPC B65D 1/22; B65D 1/30; B65D 43/021;
B65D 2543/00148; B65D 2543/00194;
B65D 2543/00296; B65D 2543/00509;
B65D 2543/00546; B65D 2543/0062;
B65D 2543/00685; B65D 2543/00731;
B65D 2543/00796; B65D 2543/00842
See application file for complete search history.

* cited by examiner

Primary Examiner — Keli L Hill

(56) **References Cited**
U.S. PATENT DOCUMENTS
D472,808 S * 4/2003 Gelardi D9/418
D472,809 S * 4/2003 Gelardi D9/418

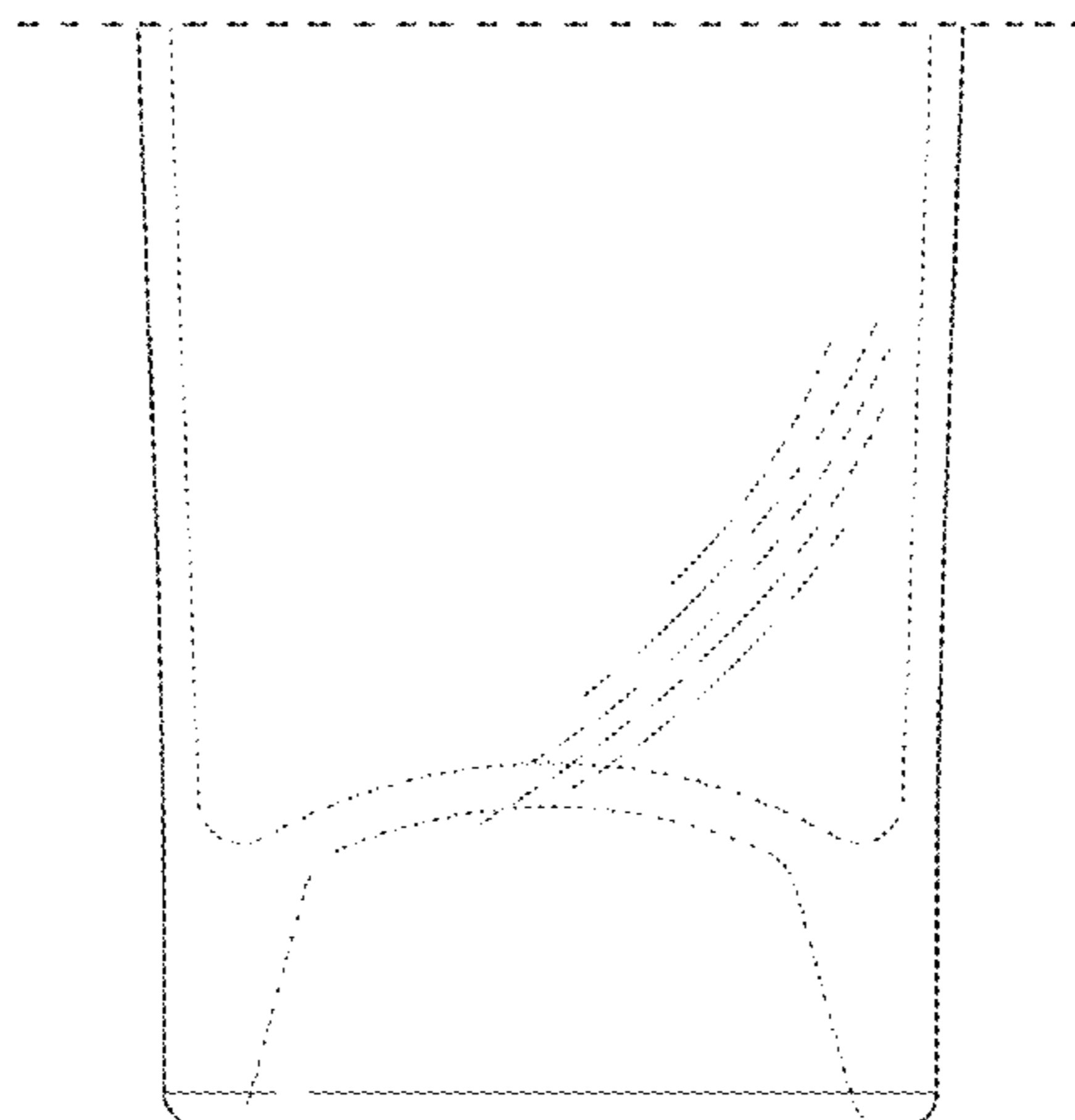
(57) **CLAIM**

The ornamental design for a bottles base, as shown and described.

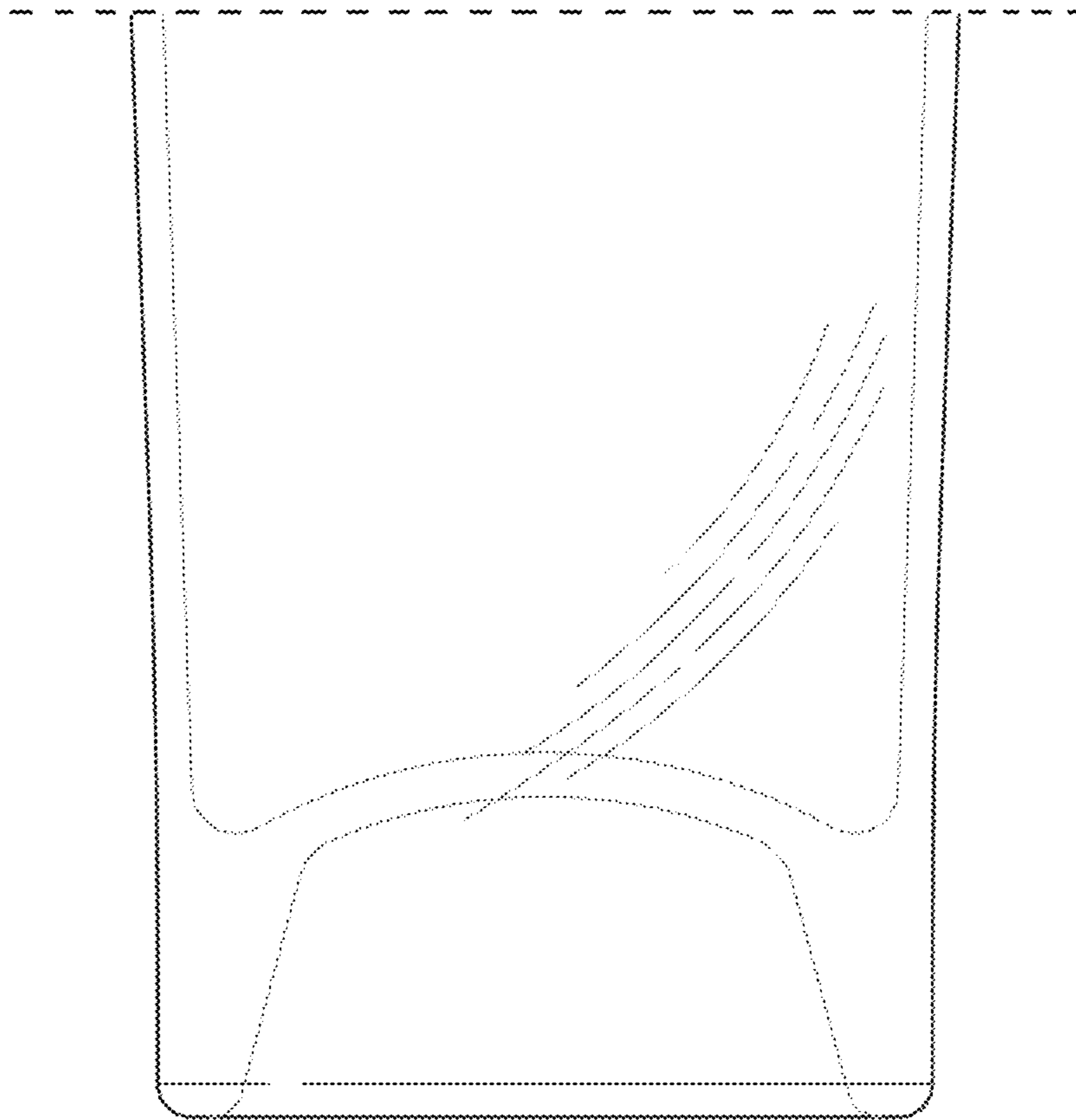
DESCRIPTION

- 3. Bottles base
- 3.1 is a front elevation view.
- 3.2 is a bottom plan view.
- 3.3 is a bottom front perspective view.
- 3.4 is a top front perspective view.

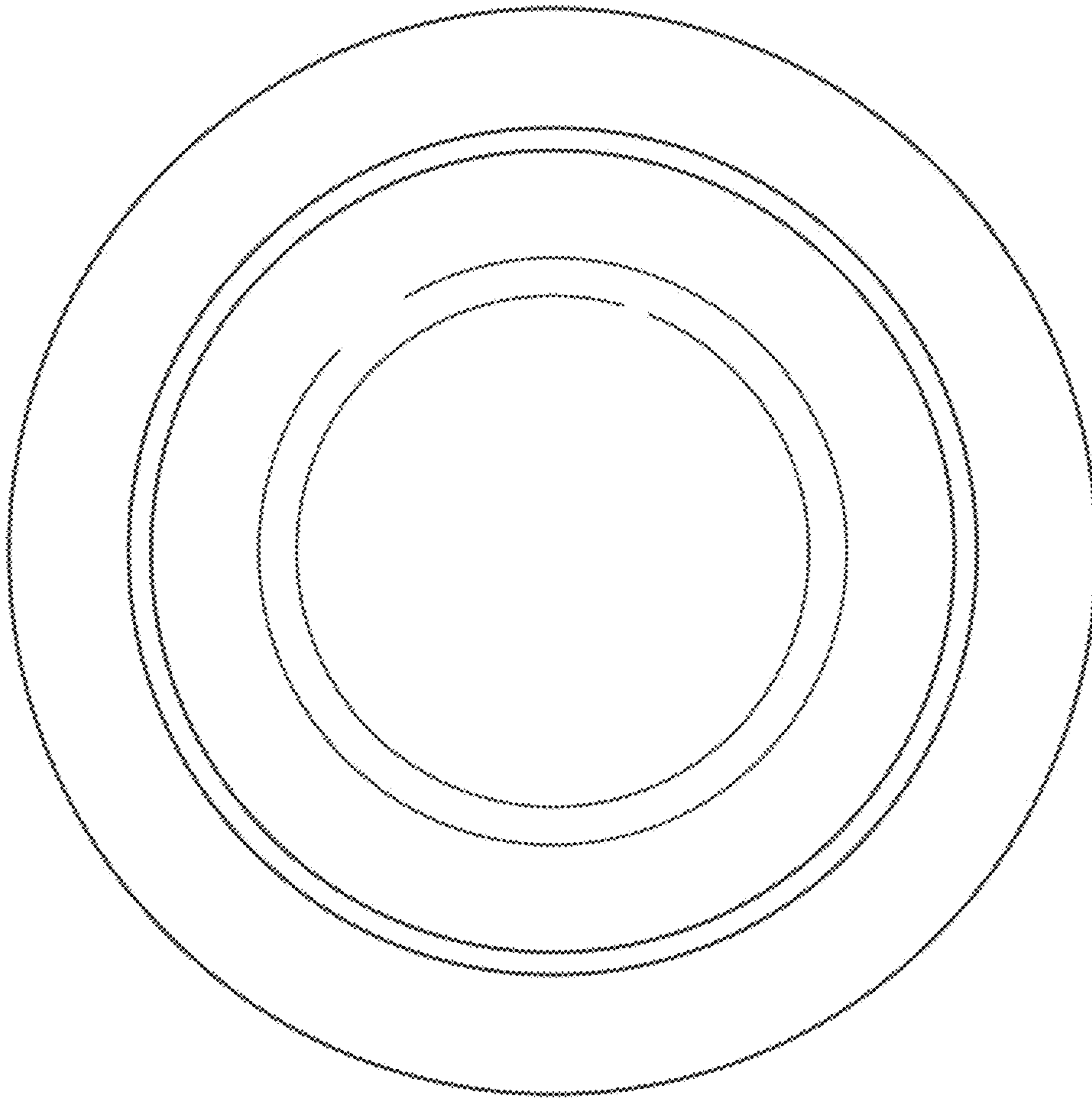
1 Claim, 4 Drawing Sheets



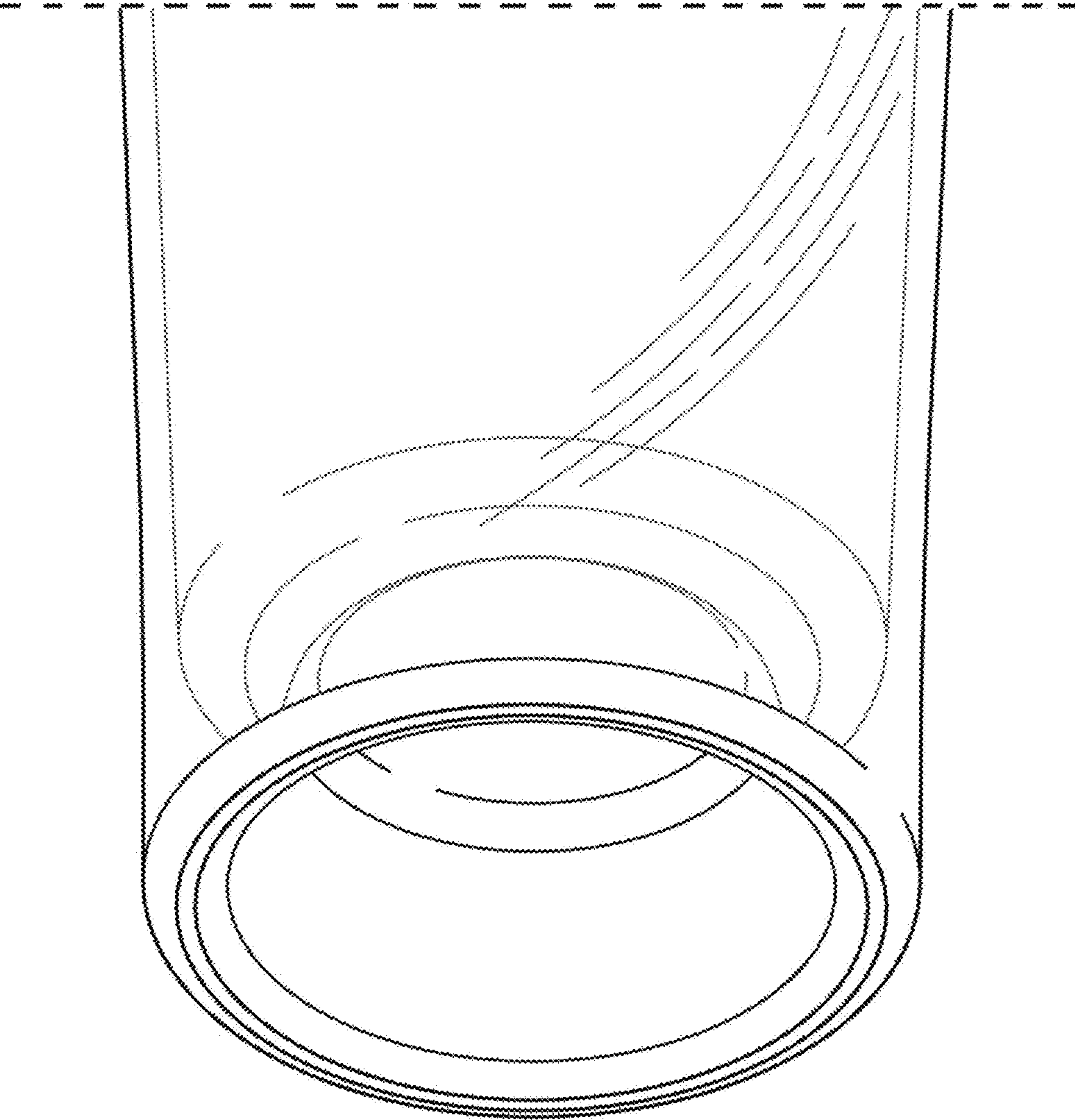
3.1



3.2



3.3



3.4

