

US00D796957S

(12) **United States Design Patent**
Joshi et al.

(10) **Patent No.:** **US D796,957 S**
(45) **Date of Patent:** **** Sep. 12, 2017**

- (54) **BOTTLE**
- (71) Applicant: **North American Coffee Partnership**,
Purchase, NY (US)
- (72) Inventors: **Prasad Joshi**, Palatine, IL (US);
Dmitriy L. Shmagin, Brookfield, CT
(US); **Deborah D. Ladwig**, Seattle, WA
(US); **Michael Peck**, Seattle, WA (US);
Ivan Frank Harris, Ypsilanti, MI (US);
Damien Zev Moyal, Ypsilanti, MI (US)

- D203,883 S 2/1966 Wood
- D203,884 S 2/1966 Wood
- 3,240,391 A * 3/1966 Garton B65D 83/687
206/222
- D227,343 S 6/1973 Finkel
- 3,923,185 A 12/1975 Choksi et al.
- D241,713 S * 10/1976 Plummer D9/500
- 4,308,955 A 1/1982 Schieser et al.
- D264,942 S 6/1982 Schieser
- D266,741 S 11/1982 Cox
- D268,324 S 3/1983 Gautier
- D272,889 S 3/1984 Walton
- D275,267 S 8/1984 Gautier

(Continued)

- (73) Assignee: **PepsiCo, Inc.**, Purchase, NY (US)

(**) Term: **14 Years**

(21) Appl. No.: **29/514,910**

(22) Filed: **Jan. 16, 2015**

(51) **LOC (10) Cl.** **09-01**

(52) **U.S. Cl.**
USPC **D9/500**

(58) **Field of Classification Search**
USPC D9/500, 502-503, 516, 530, 537-539,
D9/549, 550, 557-558, 715, 719
CPC B65D 1/00; B65D 1/02; B65D 1/0223;
B65D 23/00; B65D 81/00; B65D
2501/00; B65D 2501/0009
See application file for complete search history.

(56) **References Cited**

U.S. PATENT DOCUMENTS

- 1,744,328 A 1/1930 Morley
- D110,262 S 6/1938 Steuer
- D158,332 S * 4/1950 Schmidt D9/772
- D167,213 S * 7/1952 Lapin D9/690
- D178,258 S 7/1956 North
- D198,404 S 6/1964 Busch
- D201,052 S 5/1965 Josephsen
- 3,225,950 A 12/1965 Josephsen et al.

FOREIGN PATENT DOCUMENTS

- CA 94765 2/2002
- CA 98471 4/2004

(Continued)

Primary Examiner — Dana L Meyrow

(74) *Attorney, Agent, or Firm* — Sterne, Kessler,
Goldstein & Fox P.L.L.C.

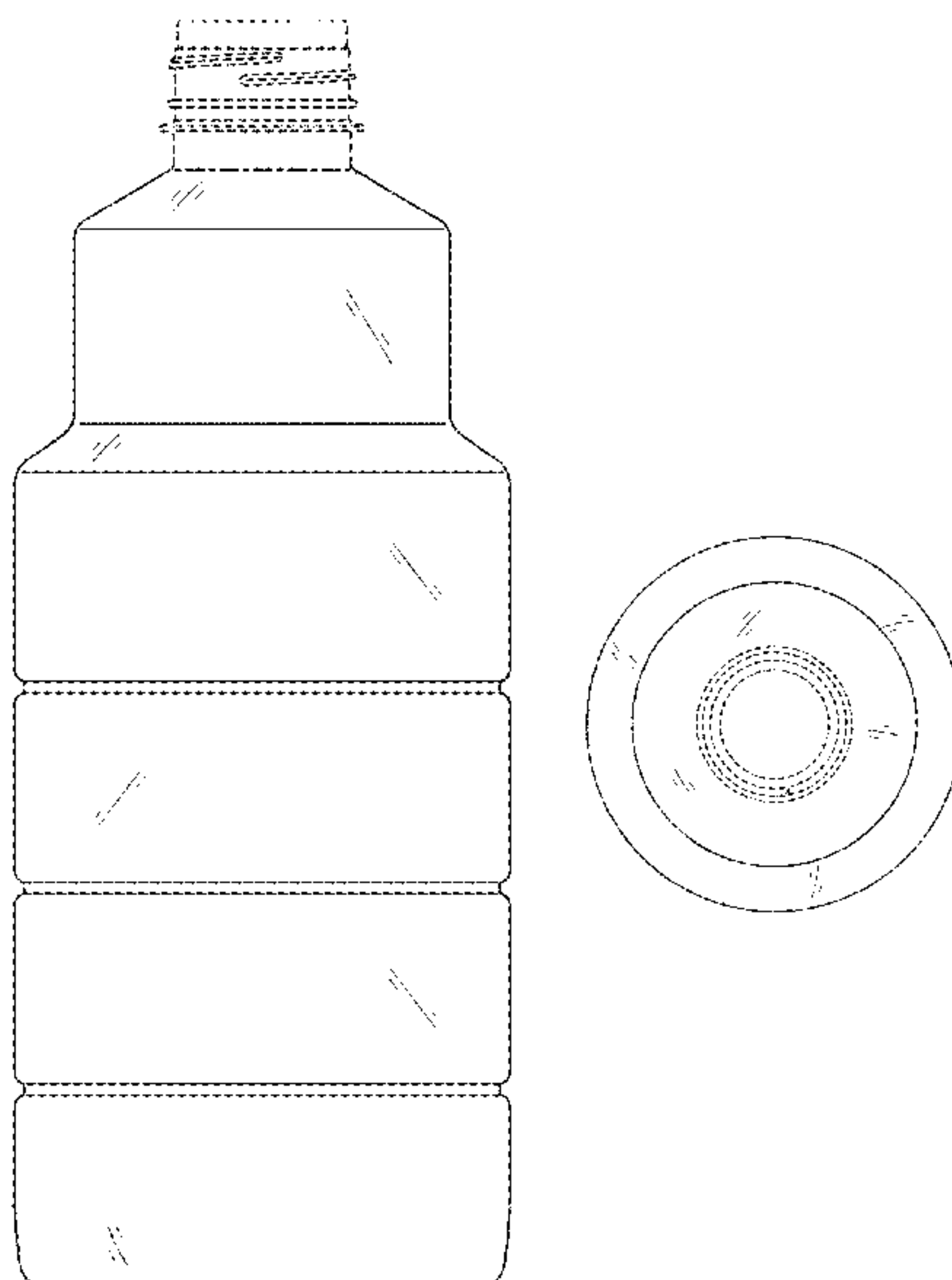
(57) **CLAIM**

The ornamental design for a bottle, as shown and described.

DESCRIPTION

FIG. 1 is a top, front, left perspective view of a bottle showing our new design;
FIG. 2 is a left side view thereof;
FIG. 3 is a front view thereof;
FIG. 4 is a right side view thereof;
FIG. 5 is a rear view thereof; and,
FIG. 6 is a top view thereof.
The uneven-length broken lines represent unclaimed boundaries of the claimed design. The even-length broken lines in the drawings illustrate the portions of the bottle that form no part of the claim.

1 Claim, 6 Drawing Sheets



(56)

References Cited

U.S. PATENT DOCUMENTS

D282,632 S * 2/1986 Beaver D9/500
 D292,378 S 10/1987 Brandt
 D293,888 S * 1/1988 Rogler D9/500
 D294,677 S * 3/1988 Rogler D9/500
 D304,996 S 12/1989 Hollenberg et al.
 D308,482 S 6/1990 Wild
 D329,868 S 9/1992 Sakaguchi et al.
 D347,391 S 5/1994 Guertin
 D348,837 S * 7/1994 Feen D9/502
 D351,341 S 10/1994 Hung
 D369,977 S * 5/1996 Sexton, Jr. D9/764
 D379,151 S 5/1997 Stevens
 D379,763 S 6/1997 Ewing
 D381,271 S 7/1997 Paoloski
 D382,807 S 8/1997 Silvers
 D385,494 S * 10/1997 Balz D9/500
 D391,492 S * 3/1998 Pang D9/538
 D398,539 S 9/1998 Guislain
 D400,794 S 11/1998 Takeuchi et al.
 5,971,184 A 10/1999 Krishnakumar et al.
 D417,844 S * 12/1999 Lane D9/434
 D423,366 S 4/2000 Gans
 D423,935 S 5/2000 Frazer
 D426,161 S 6/2000 Hestehave
 D426,164 S 6/2000 Gans
 D426,469 S 6/2000 Mankowski
 D435,455 S 12/2000 Gans
 D442,492 S 5/2001 Krishnakumar et al.
 6,230,912 B1 5/2001 Rashid
 D444,391 S 7/2001 Bansal et al.
 D446,457 S 8/2001 Krishnakumar et al.
 D448,302 S 9/2001 Cheng et al.
 D448,672 S 10/2001 Cheng et al.
 D448,674 S 10/2001 Mooney
 D448,675 S 10/2001 Thierjung
 D450,588 S * 11/2001 Lane D9/500
 D455,656 S 4/2002 Gans et al.
 D456,704 S 5/2002 Ranchetti
 D457,065 S 5/2002 Krishnakumar et al.
 D465,418 S 11/2002 Thierjung
 D466,022 S 11/2002 Hirst et al.
 D467,507 S 12/2002 Bryant et al.
 D467,809 S 12/2002 Pouillot et al.
 D468,645 S 1/2003 Nelson et al.
 D471,466 S 3/2003 Nelson et al.
 D472,814 S 4/2003 Wright
 D476,576 S 7/2003 Hirst et al.
 D482,287 S 11/2003 Kraft
 D482,978 S 12/2003 Nelson
 D486,739 S 2/2004 Taylor et al.
 D487,564 S * 3/2004 Beck D9/520

D498,143 S 11/2004 Rashid
 D503,620 S 4/2005 Taylor
 D506,142 S 6/2005 Gauthier
 D518,725 S * 4/2006 Eble D9/502
 D521,868 S 5/2006 Arima
 D522,870 S 6/2006 Venkataraman et al.
 D530,212 S 10/2006 Darr et al.
 D531,913 S 11/2006 Heisner et al.
 D541,656 S 5/2007 Martin
 D542,668 S 5/2007 Arthur et al.
 D542,669 S 5/2007 Arthur et al.
 D543,863 S 6/2007 Archeny et al.
 D552,478 S 10/2007 Melrose et al.
 D557,612 S 12/2007 Slimane
 D558,584 S 1/2008 Blank
 D560,503 S * 1/2008 Siriporn D9/553
 7,350,657 B2 4/2008 Eaton et al.
 D570,700 S 6/2008 Laupie
 D580,270 S 11/2008 Futral
 D587,126 S 2/2009 DeSico et al.
 D588,466 S 3/2009 Sukhanovskiy
 7,520,399 B2 4/2009 Lane et al.
 D593,865 S 6/2009 Bourne
 D594,751 S 6/2009 Bourne
 D599,673 S 9/2009 Bourne
 D601,028 S * 9/2009 Brown D9/531
 D601,906 S 10/2009 Leruste
 D605,952 S 12/2009 Inoi et al.
 D607,338 S 1/2010 Zoppas
 D607,743 S 1/2010 Eble
 D608,211 S 1/2010 Eble
 D612,256 S 3/2010 Wurster et al.
 D612,257 S 3/2010 Wurster et al.
 7,673,764 B2 3/2010 Sabold
 D618,111 S 6/2010 Kaminski et al.
 D631,753 S 2/2011 Russell et al.
 D632,182 S 2/2011 Russell et al.
 D642,922 S 8/2011 Kuzma et al.
 D655,176 S 3/2012 Kraft et al.
 D655,179 S 3/2012 Kraft et al.
 D655,180 S 3/2012 Kraft et al.
 D767,993 S 10/2016 Joshi et al.
 2005/0218108 A1 10/2005 Bangi et al.
 2006/0175284 A1 8/2006 Noll et al.
 2010/0270259 A1 10/2010 Russell et al.
 2011/0049085 A1 3/2011 Lembke

FOREIGN PATENT DOCUMENTS

CA 120261 3/2008
 CA 135522 6/2010
 CA 135523 6/2010
 CA 135525 6/2010

* cited by examiner

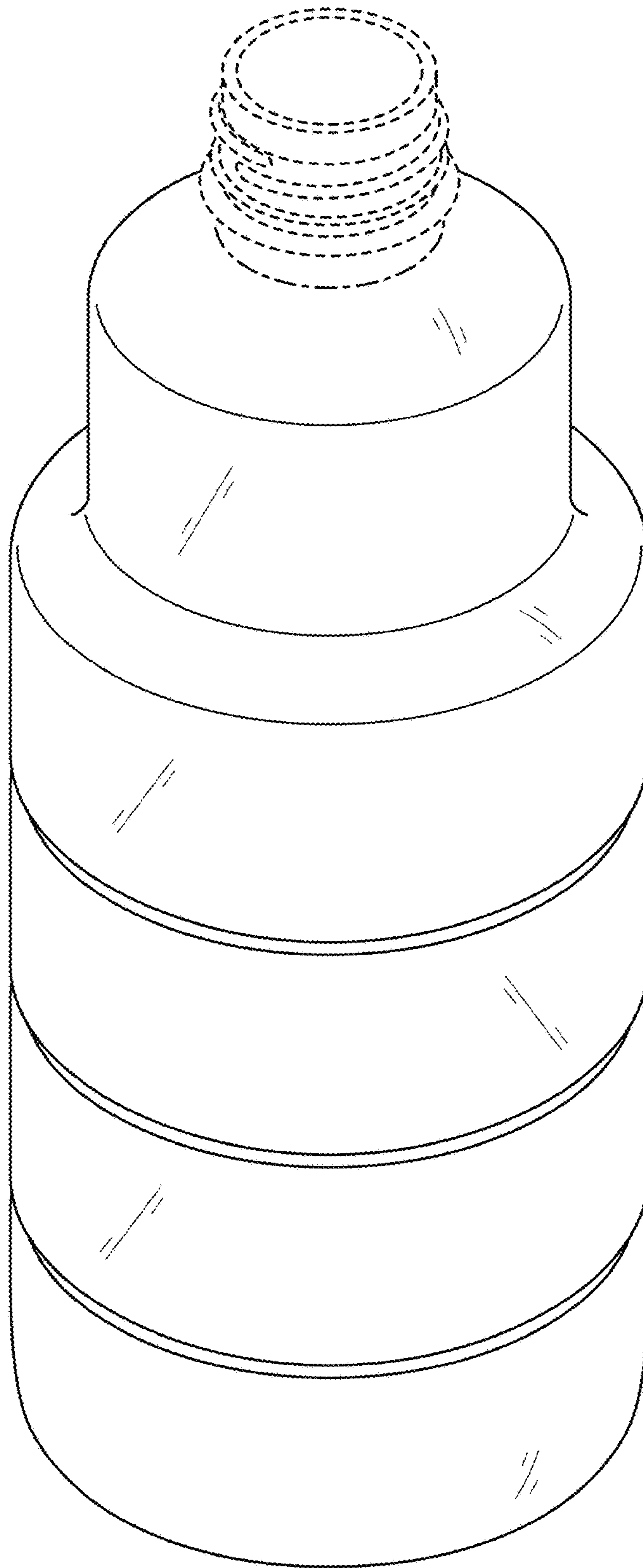


FIG. 1

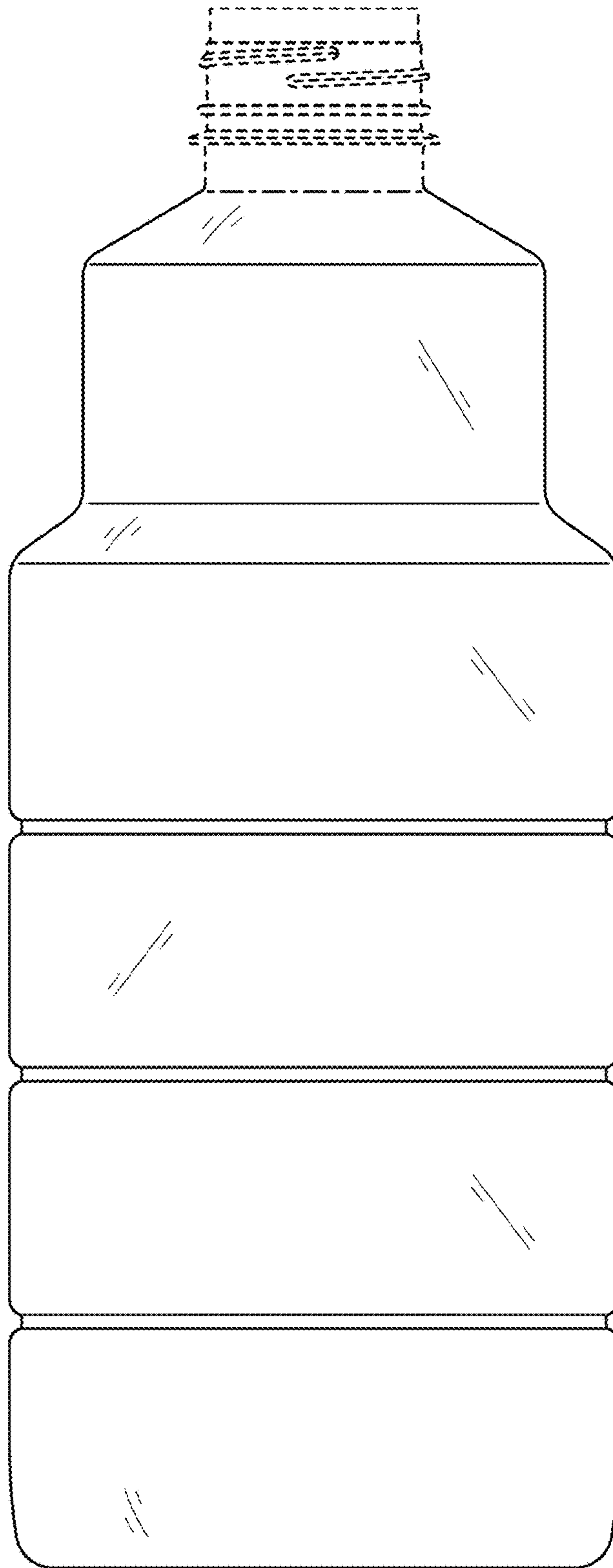


FIG. 2

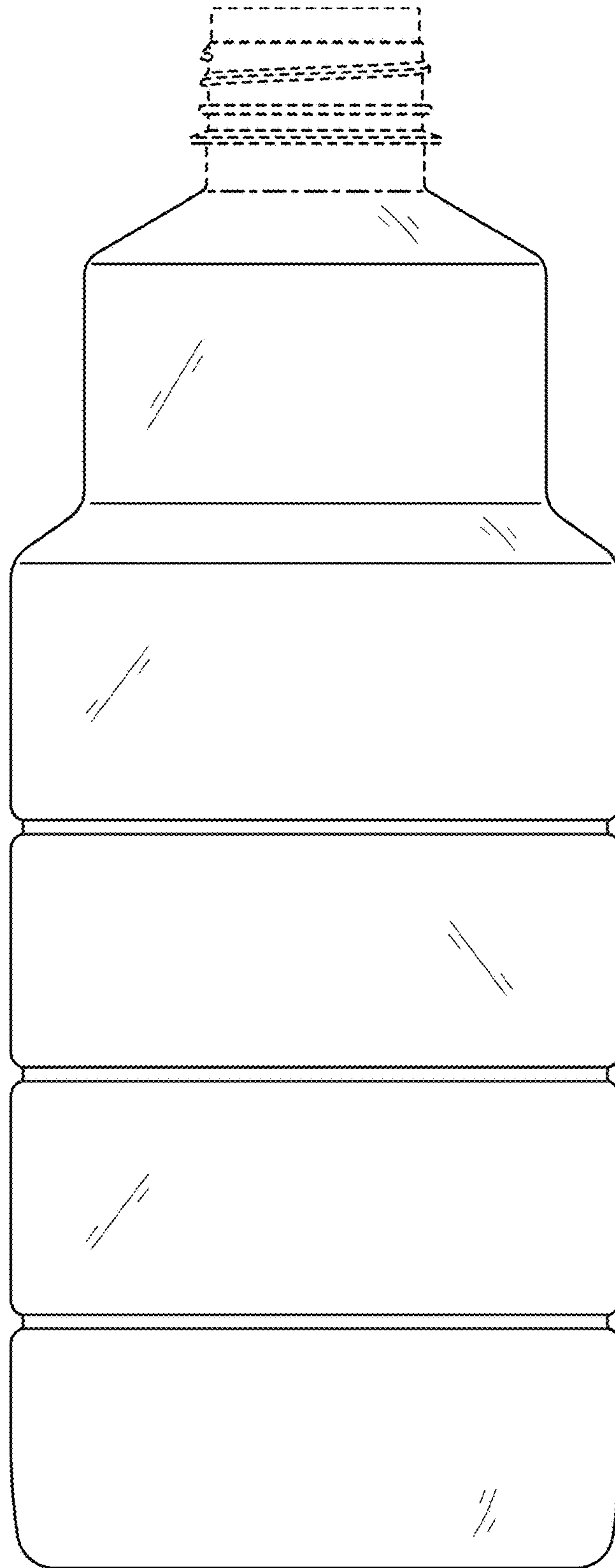


FIG. 3

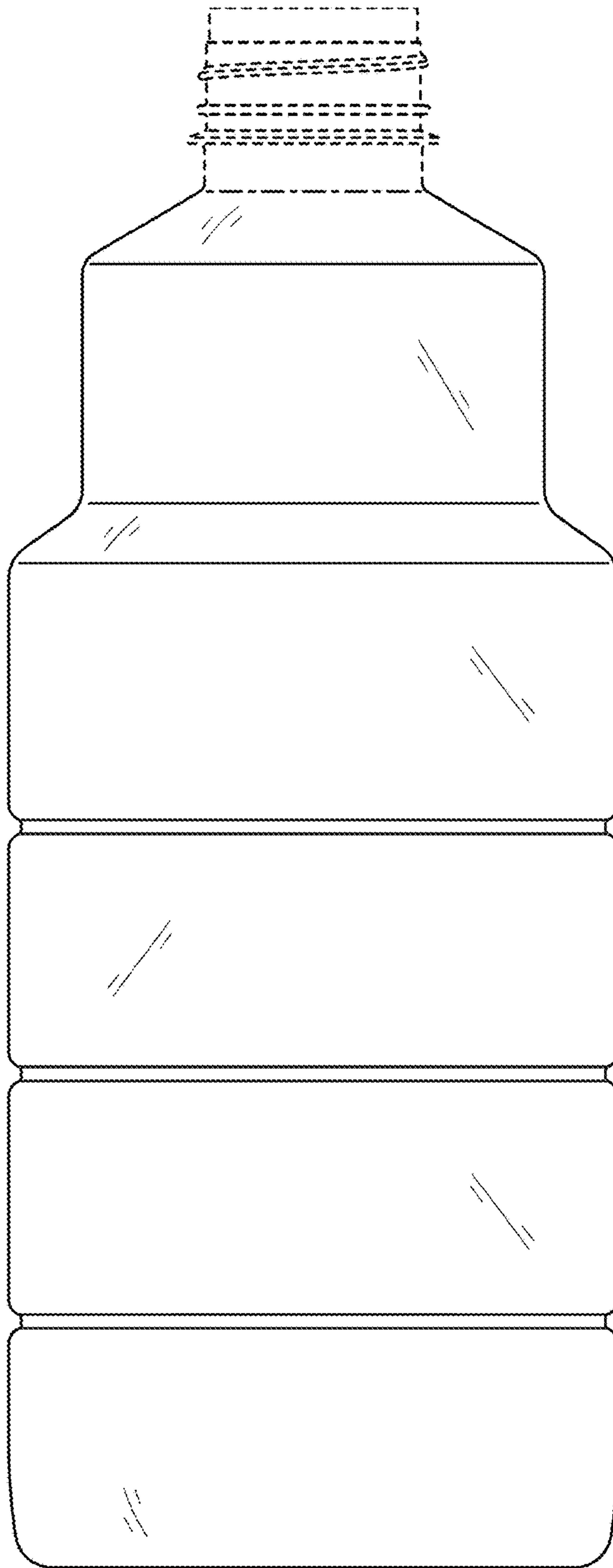


FIG. 4

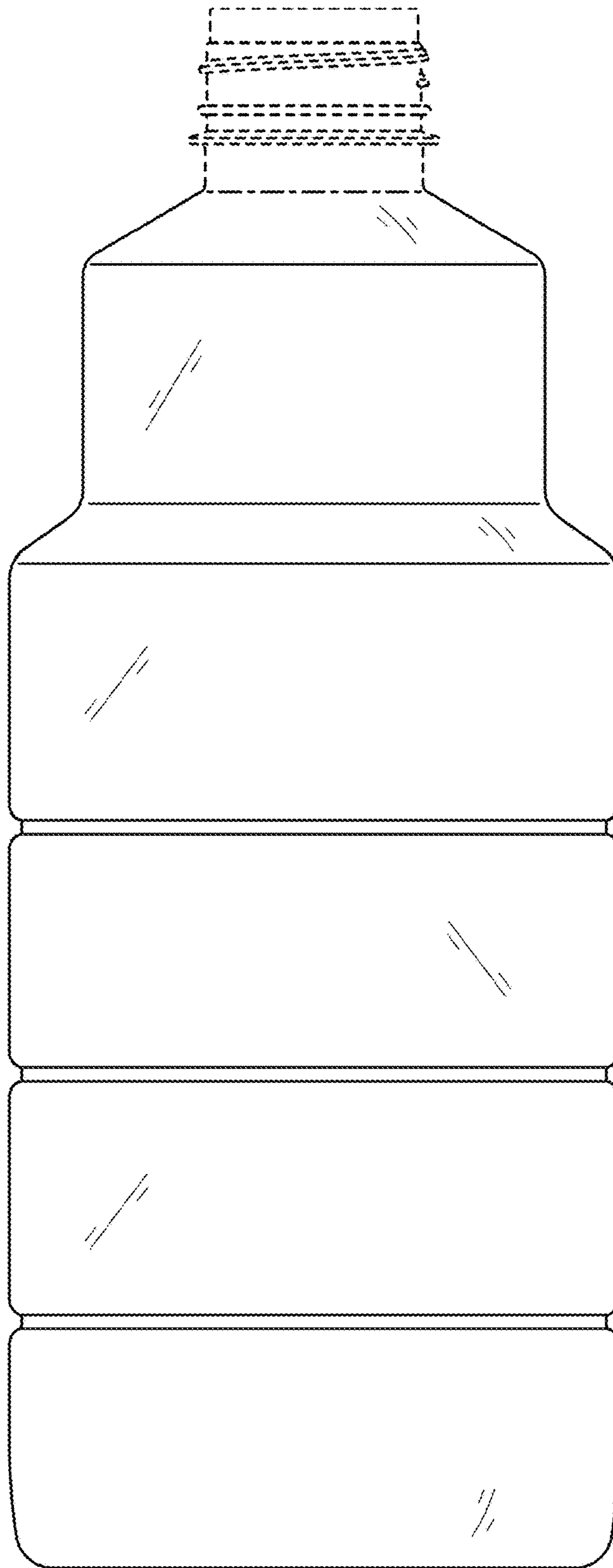


FIG. 5

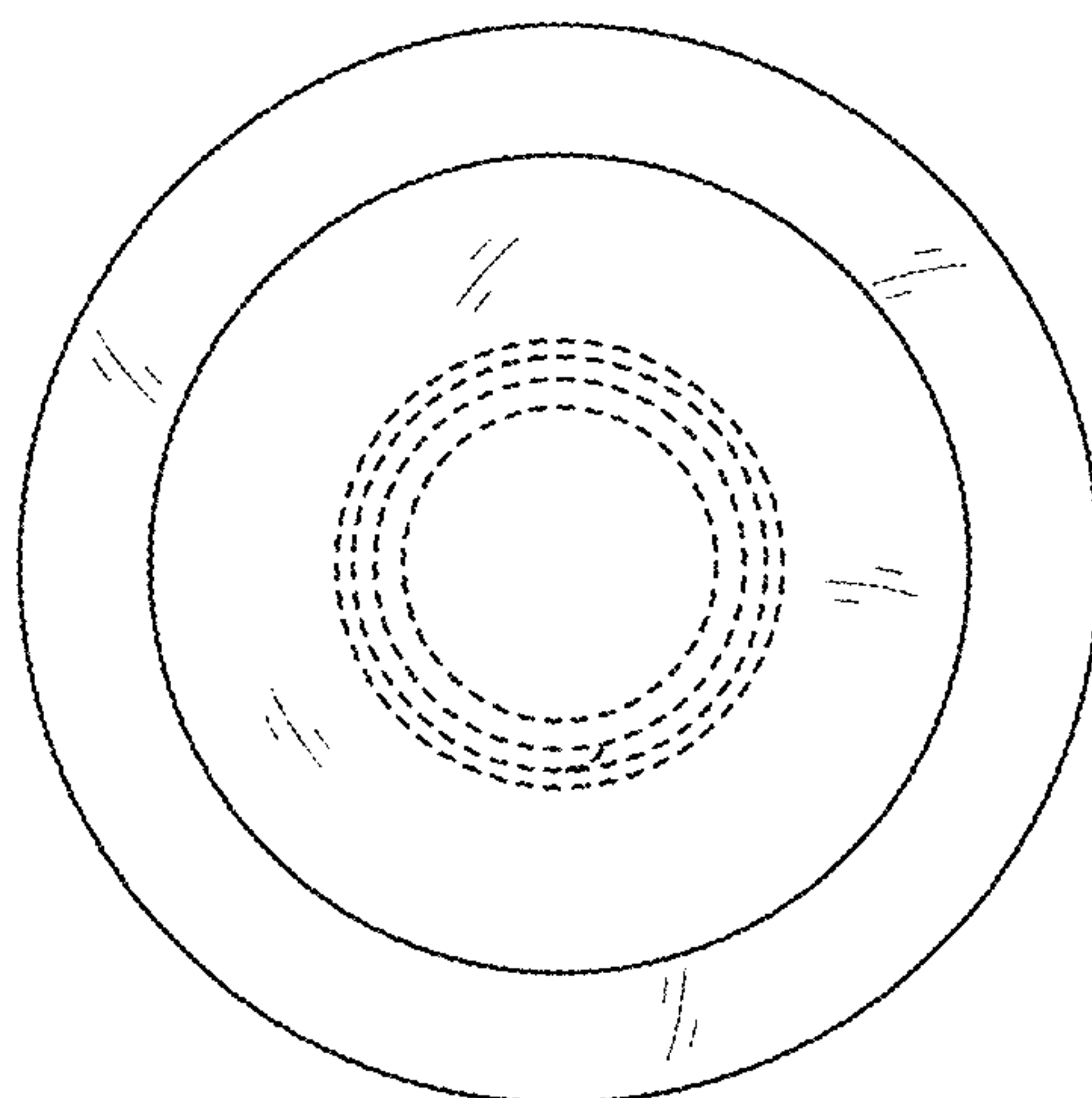


FIG. 6

UNITED STATES PATENT AND TRADEMARK OFFICE
CERTIFICATE OF CORRECTION

PATENT NO. : D796,957 S
APPLICATION NO. : 29/514910
DATED : September 12, 2017
INVENTOR(S) : Joshi et al.

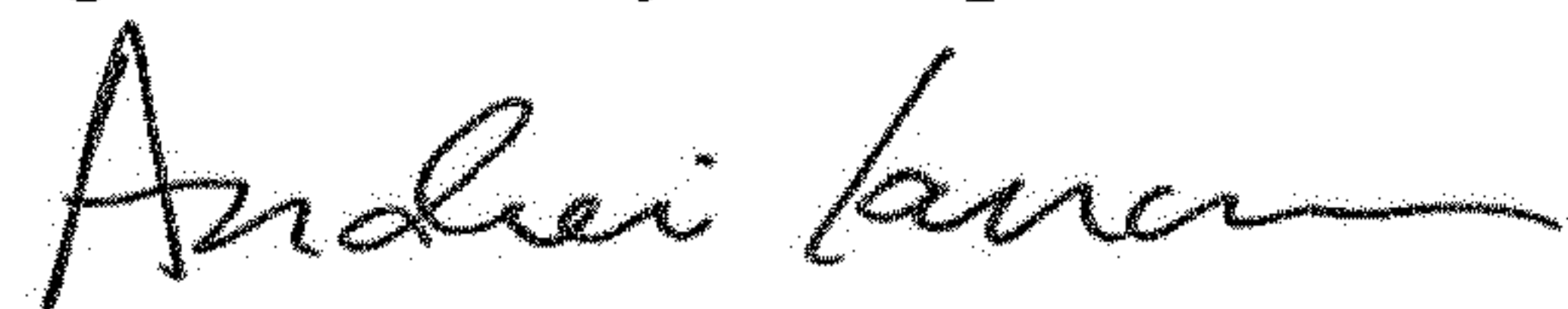
Page 1 of 1

It is certified that error appears in the above-identified patent and that said Letters Patent is hereby corrected as shown below:

On the Title Page

Item (73), replace "PepsiCo, Inc., Purchase, NY" with --North American Coffee Partnership,
Purchase, NY--.

Signed and Sealed this
Eighteenth Day of September, 2018



Andrei Iancu
Director of the United States Patent and Trademark Office