



US00D796956S

(12) **United States Design Patent**
Clark et al.

(10) **Patent No.: US D796,956 S**

(45) **Date of Patent: ** Sep. 12, 2017**

(54) **MEDIA BOTTLE**

(71) Applicant: **LIFE TECHNOLOGIES CORPORATION**, Carlsbad, CA (US)

(72) Inventors: **Paul Clark**, Youngstown, NY (US); **Sandro Klein**, Irvine, CA (US); **Xin Mathers**, Poway, CA (US); **Jeffrey Kelly**, Glasgow (GB); **David Judd**, Grand Island, NY (US); **Scott Glassman**, Clarence, NY (US); **Michael Scribner**, Sanborn, NY (US); **Adrian Bird**, Bicester (GB); **Imran Mahmood**, San Marcos, CA (US)

(73) Assignee: **Life Technologies Corporation**, Carlsbad, CA (US)

(**) Term: **14 Years**

(21) Appl. No.: **29/491,989**

(22) Filed: **May 27, 2014**

(51) **LOC (10) Cl.** **09-01**

(52) **U.S. Cl.**
USPC **D9/500**

(58) **Field of Classification Search**
USPC D9/434, 516, 574, 500, 502-504, 549, D9/558; D24/121, 224
CPC B65D 1/00; B65D 1/02; B65D 1/0223; B65D 1/023; B65D 23/00; B65D 81/00; B65D 2501/00
See application file for complete search history.

(56) **References Cited**

U.S. PATENT DOCUMENTS

- 1,049,926 A * 1/1913 Schmitt B31B 1/84 215/45
- 3,460,702 A * 8/1969 Andrews B65D 51/002 215/247

- D225,210 S * 11/1972 Becker D9/500
- 3,720,339 A * 3/1973 Khetani B65D 1/0276 215/373
- 3,926,324 A * 12/1975 Zavasnik B29C 49/0073 215/373
- 4,465,199 A * 8/1984 Aoki B29C 49/12 215/373
- D287,335 S * 12/1986 Anderson D24/117
- 4,678,753 A * 7/1987 Hempel C12M 23/08 215/227
- 4,955,491 A * 9/1990 Marshall B65D 1/0276 215/12.1
- D467,804 S * 12/2002 Restrepo D9/500
- D548,082 S * 8/2007 Kingsley D9/500
- D624,417 S * 9/2010 Bentley D9/500
- D651,086 S * 12/2011 Gullickson D9/504
- D696,945 S * 1/2014 Newman D9/500
- D697,409 S * 1/2014 Wilson D9/503
- D705,063 S * 5/2014 Weiss D9/500
- 2003/0197018 A1 * 10/2003 Chupak B65D 1/0207 220/661

* cited by examiner

Primary Examiner — Dana L Meyrow

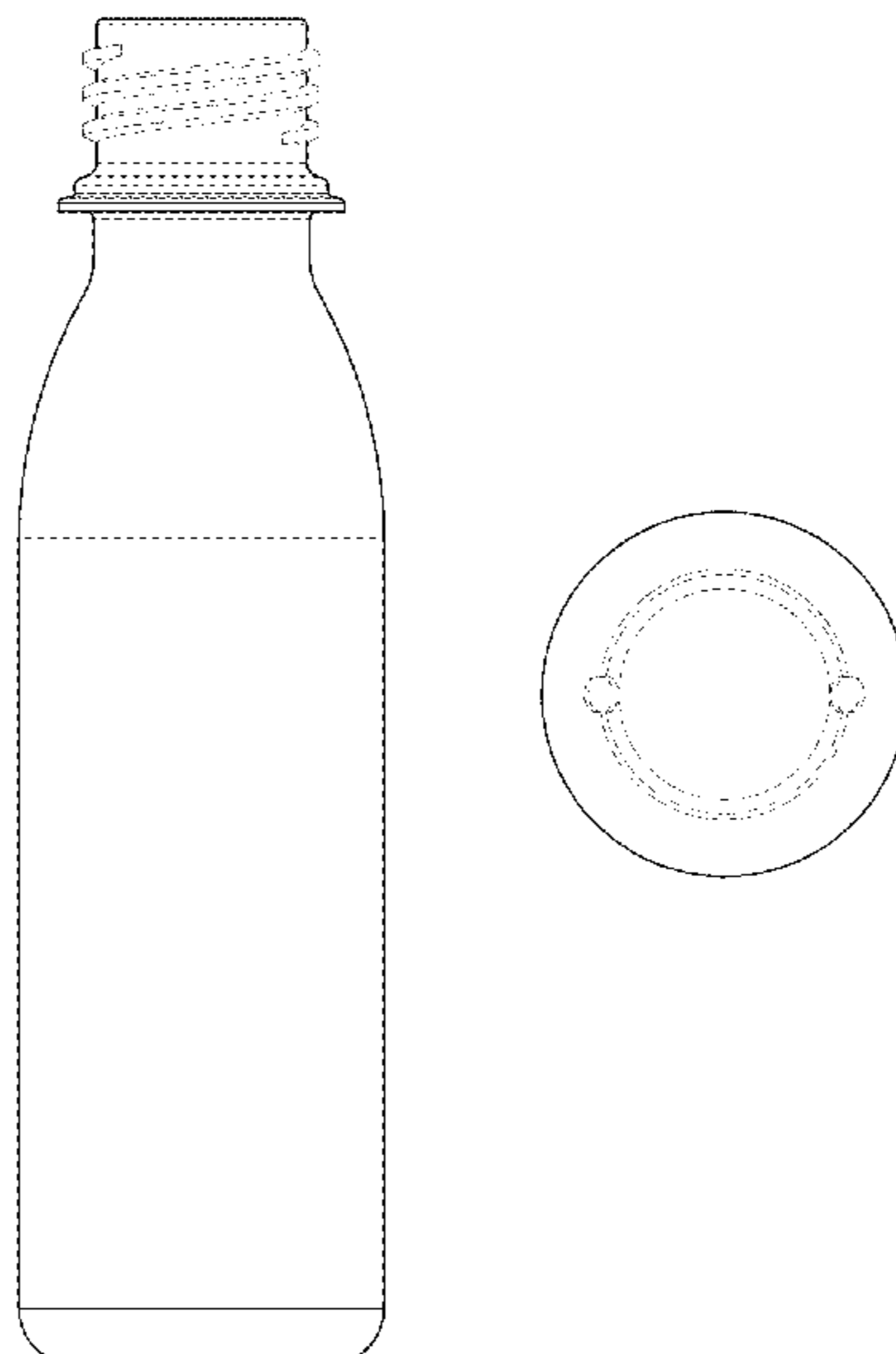
(57) **CLAIM**

The ornamental design for media bottle, as shown and described.

DESCRIPTION

FIG. 1 is a perspective view of a media bottle, according to a first exemplary embodiment;
FIG. 2 is a front view of the media bottle of FIG. 1;
FIG. 3 is a back view of the media bottle of FIG. 1;
FIG. 4 is a right-side view of the media bottle of FIG. 1;
FIG. 5 is a left-side view of the media bottle of FIG. 1;
FIG. 6 is a top view of the media bottle of FIG. 1; and,
FIG. 7 is a bottom view of the media bottle of FIG. 1.
The portions depicted in broken lines are not part of the claimed design.

1 Claim, 4 Drawing Sheets



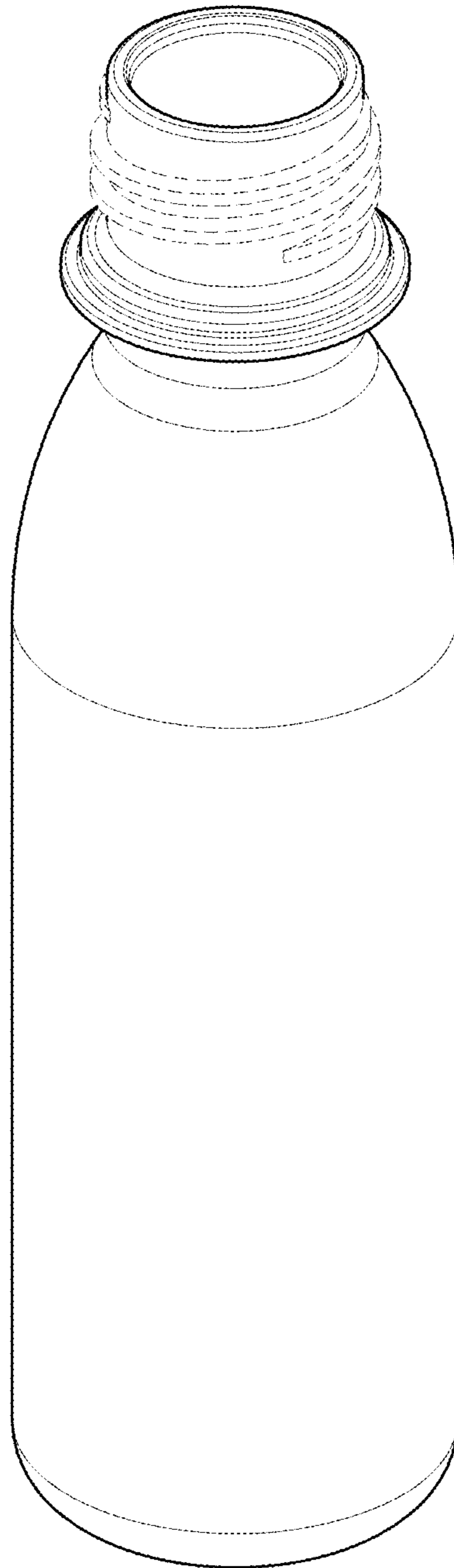


FIG. 1

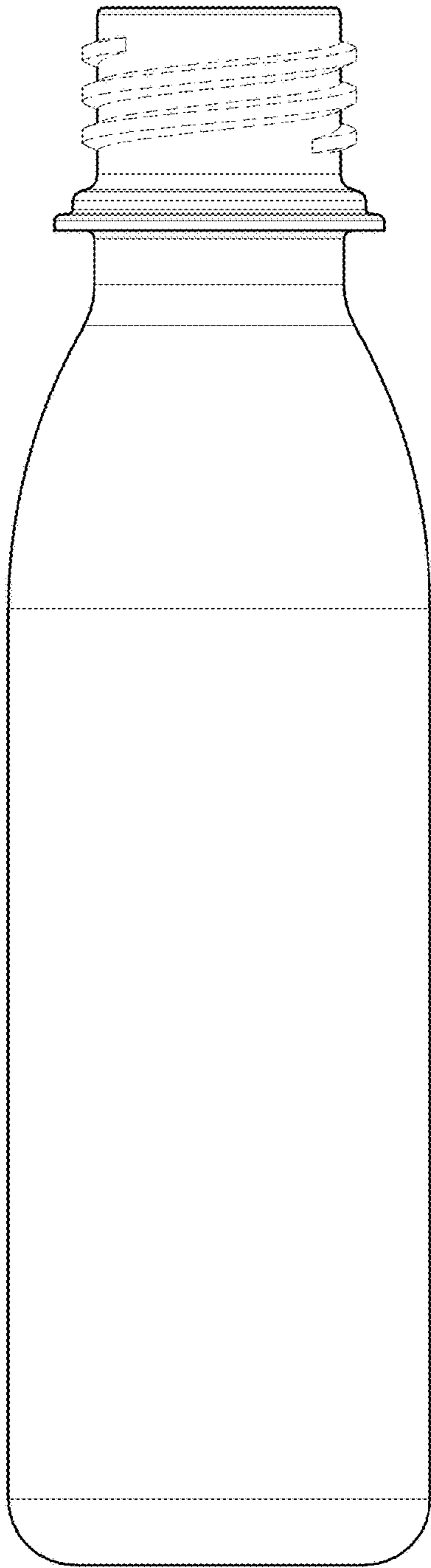


FIG. 2

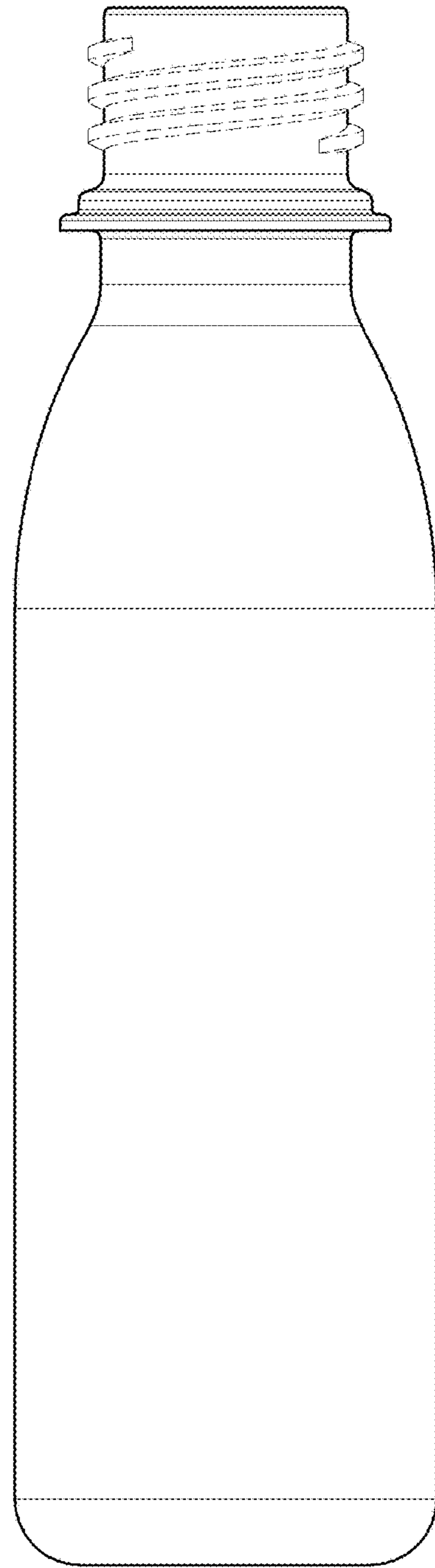


FIG. 3

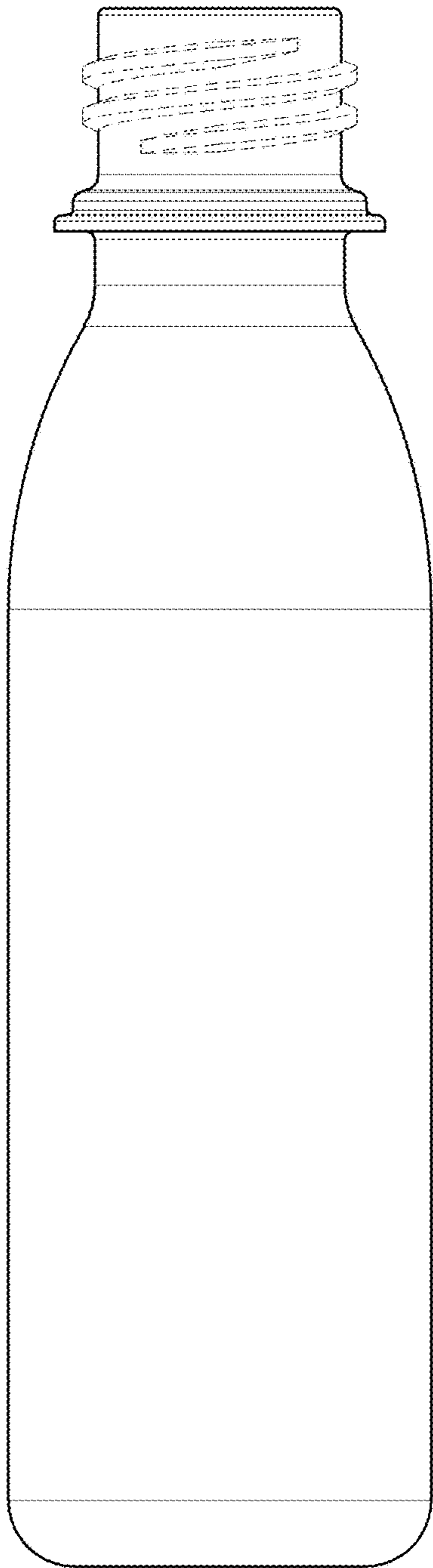


FIG. 4

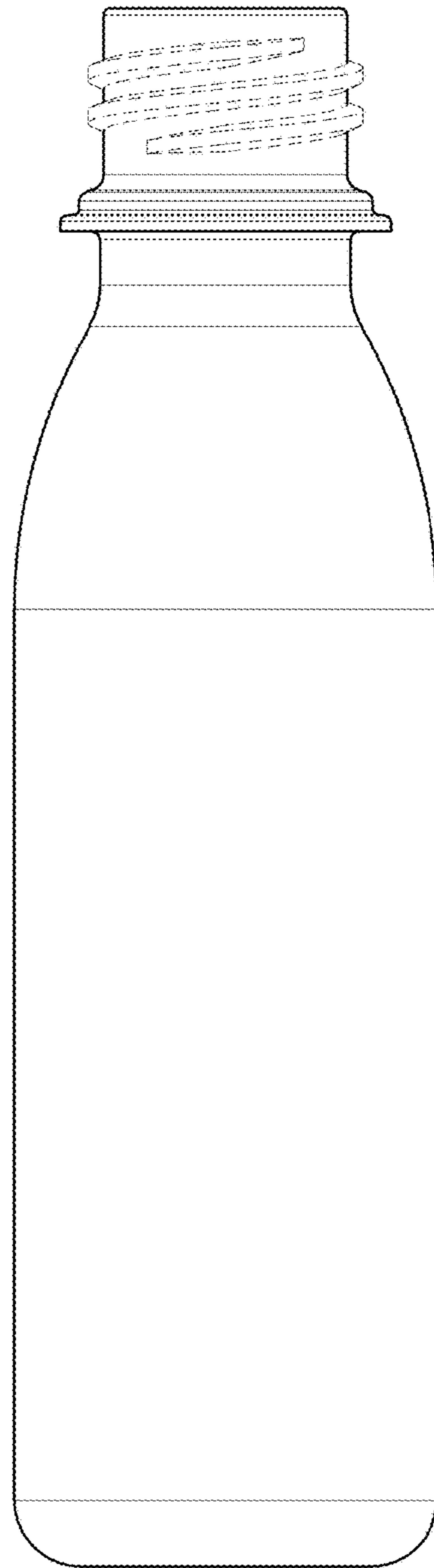


FIG. 5

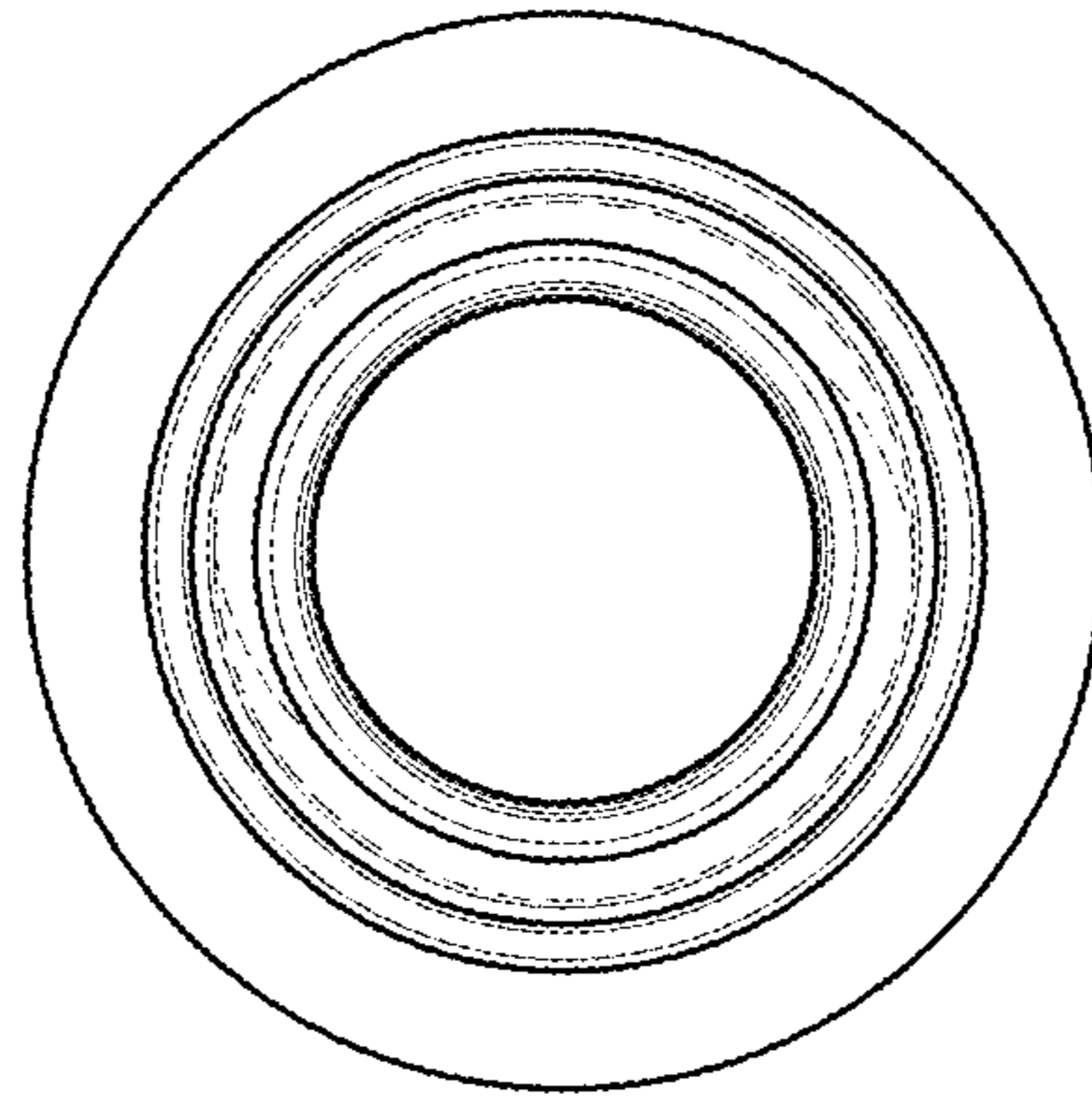


FIG. 6

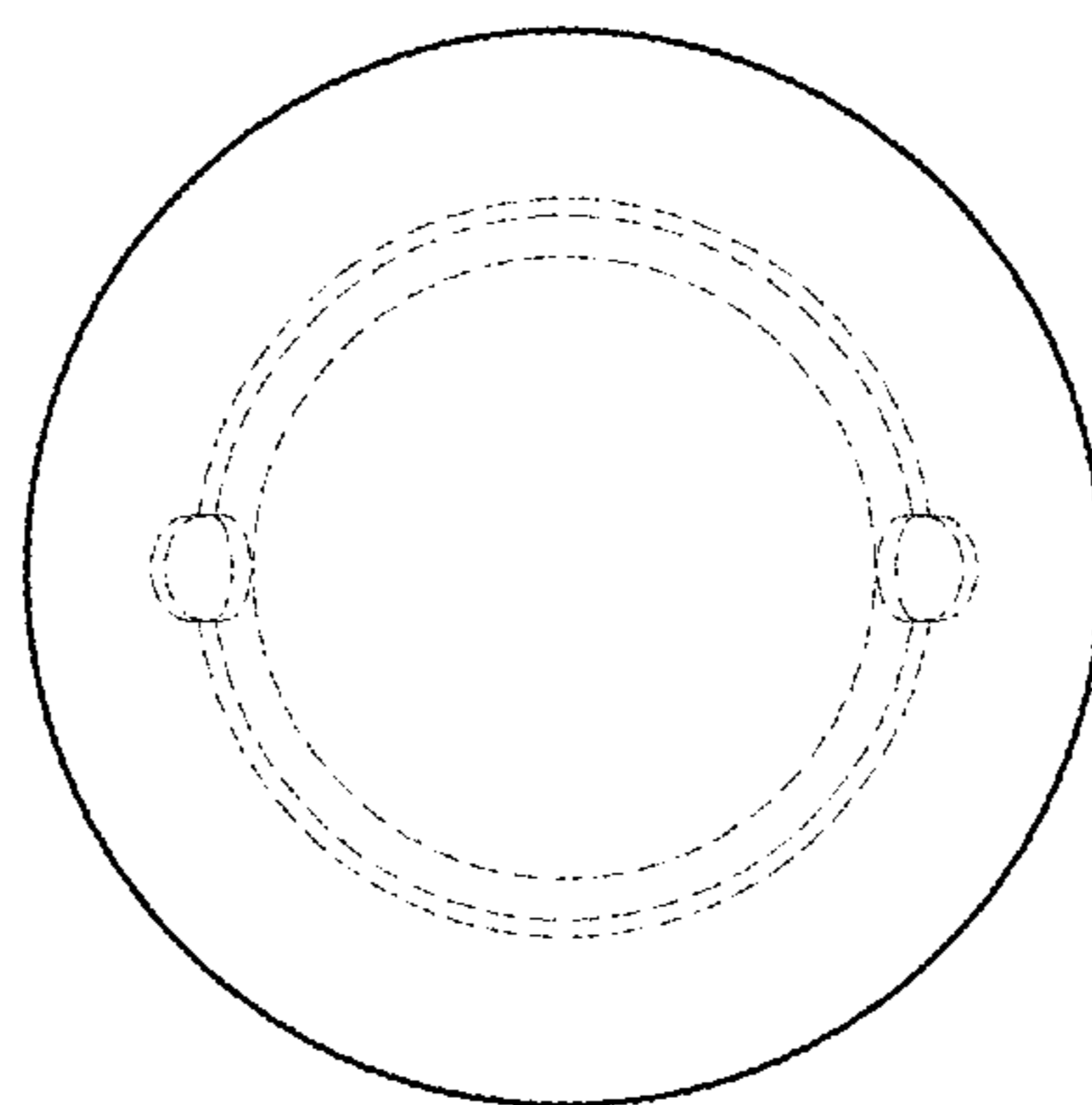


FIG. 7