



US00D796954S

(12) **United States Design Patent** (10) **Patent No.:** **US D796,954 S**
Lun (45) **Date of Patent:** **** Sep. 12, 2017**

- (54) **PACKAGING TRAY**
- (71) Applicant: **E-Pac Packaging Services Company Limited**, Hong Kong (HK)
- (72) Inventor: **Tin Yeu Terence Lun**, Hong Kong (HK)
- (73) Assignee: **E-PAC PACKAGING SERVICES COMPANY LIMITED**, Hong Kong (HK)
- (**) Term: **15 Years**
- (21) Appl. No.: **29/565,561**
- (22) Filed: **May 23, 2016**
- (30) **Foreign Application Priority Data**
Nov. 27, 2015 (CN) 2015 3 0484111
- (51) **LOC (10) Cl.** **09-07**
- (52) **U.S. Cl.**
USPC **D9/456**
- (58) **Field of Classification Search**
USPC D9/414-419, 421-425, 427, 429,
D9/430-435, 455-457, 499
CPC B65D 71/00; B65D 5/503; B65D 5/36;
B65D 5/20
See application file for complete search history.

- D691,035 S * 10/2013 Sill D9/418
- D693,216 S * 11/2013 Sill D9/418
- D703,038 S * 4/2014 McAdam D9/418
- D716,649 S * 11/2014 McAdam D9/418
- D762,113 S * 7/2016 Mayer D9/418
- D763,071 S * 8/2016 Irek D9/418
- D774,896 S * 12/2016 Mayer D9/418

OTHER PUBLICATIONS

Etsy. Hoolow book safe “the editorial”—secret stash book—old book with hollow hiding spot. Aug. 9, 2012 [earliest online date], [site visited Feb. 6, 2017]. Available from Internet, <URL:https://www.etsy.com/listing/106464701/hollow-book-safe-the-editorial-secret>.*

* cited by examiner

Primary Examiner — Robert M Spear
Assistant Examiner — Darcey E Heflin

(57) **CLAIM**

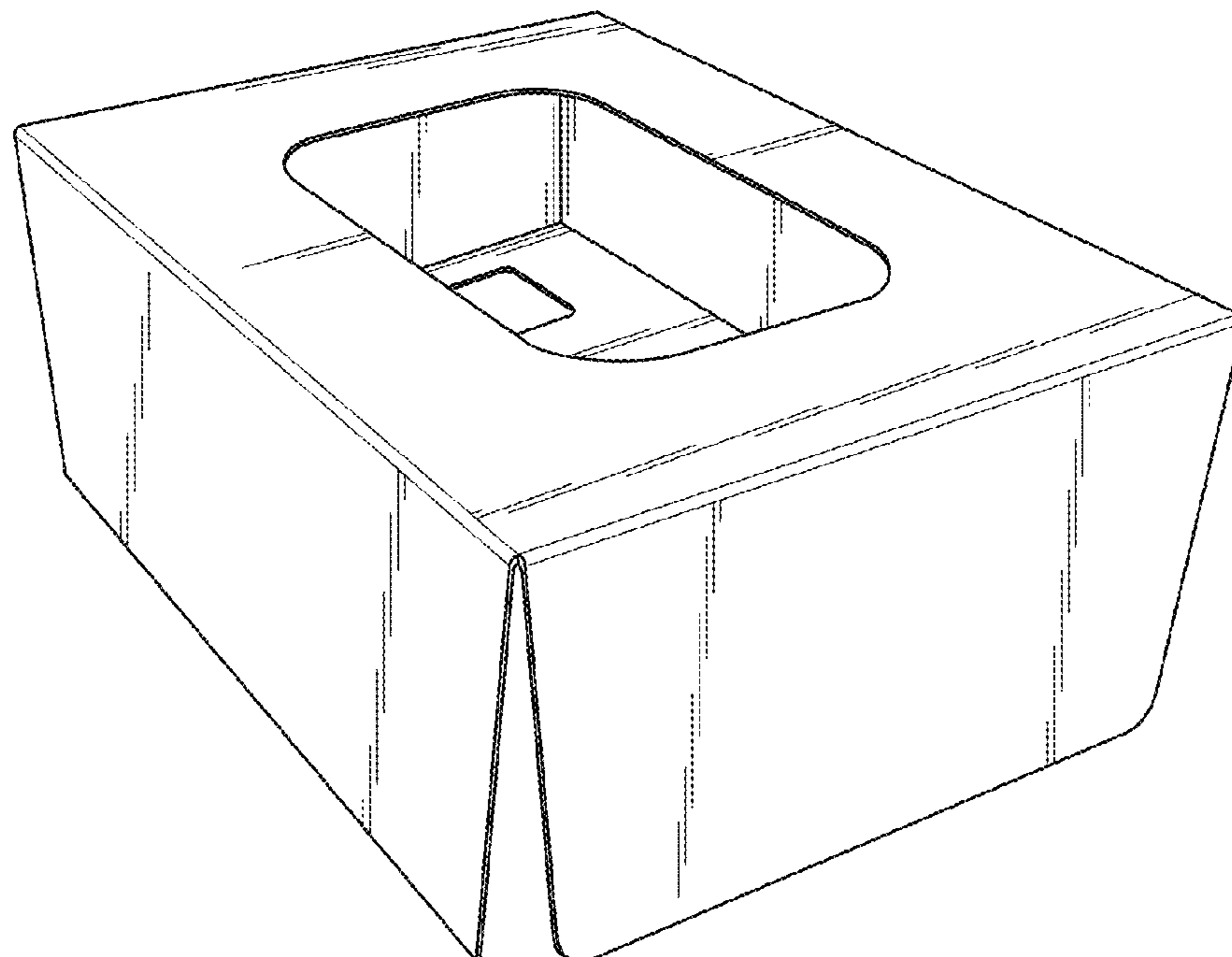
The ornamental design for an packaging tray, as shown and described.

DESCRIPTION

FIG. 1 is a perspective view of an packaging tray showing my new design;
FIG. 2 is a top plan view thereof;
FIG. 3 is a front elevational view thereof;
FIG. 4 is a left side view thereof;
FIG. 5 is a right side view thereof;
FIG. 6 is a rear elevational view thereof; and,
FIG. 7 is a bottom plan view thereof.
The broken lines in the drawings illustrate portions of the packaging tray which form no part of the claimed design.

1 Claim, 4 Drawing Sheets

- (56) **References Cited**
U.S. PATENT DOCUMENTS
D262,945 S * 2/1982 Lytra D9/415
D595,125 S * 6/2009 Doyle D3/298



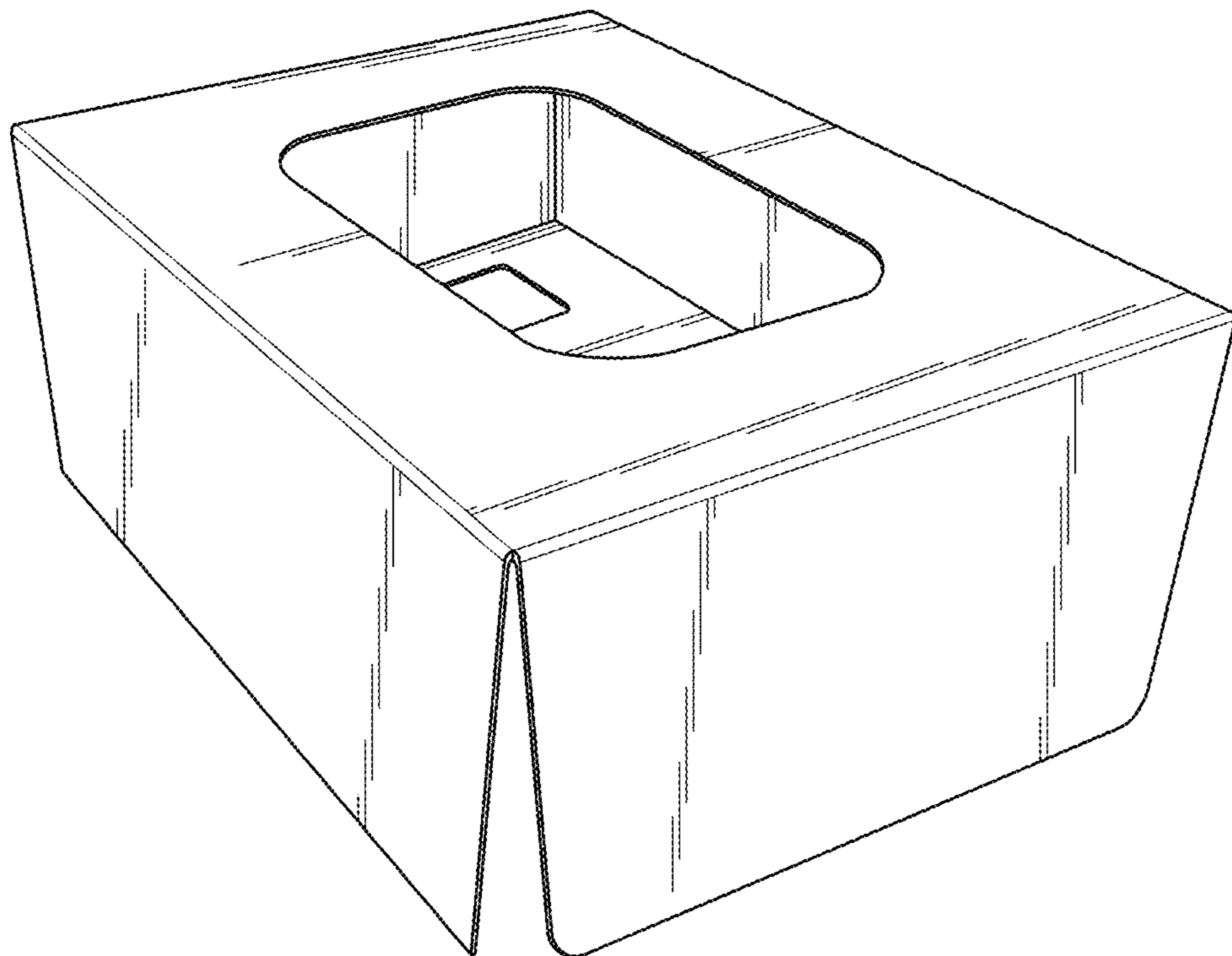


FIG. 1

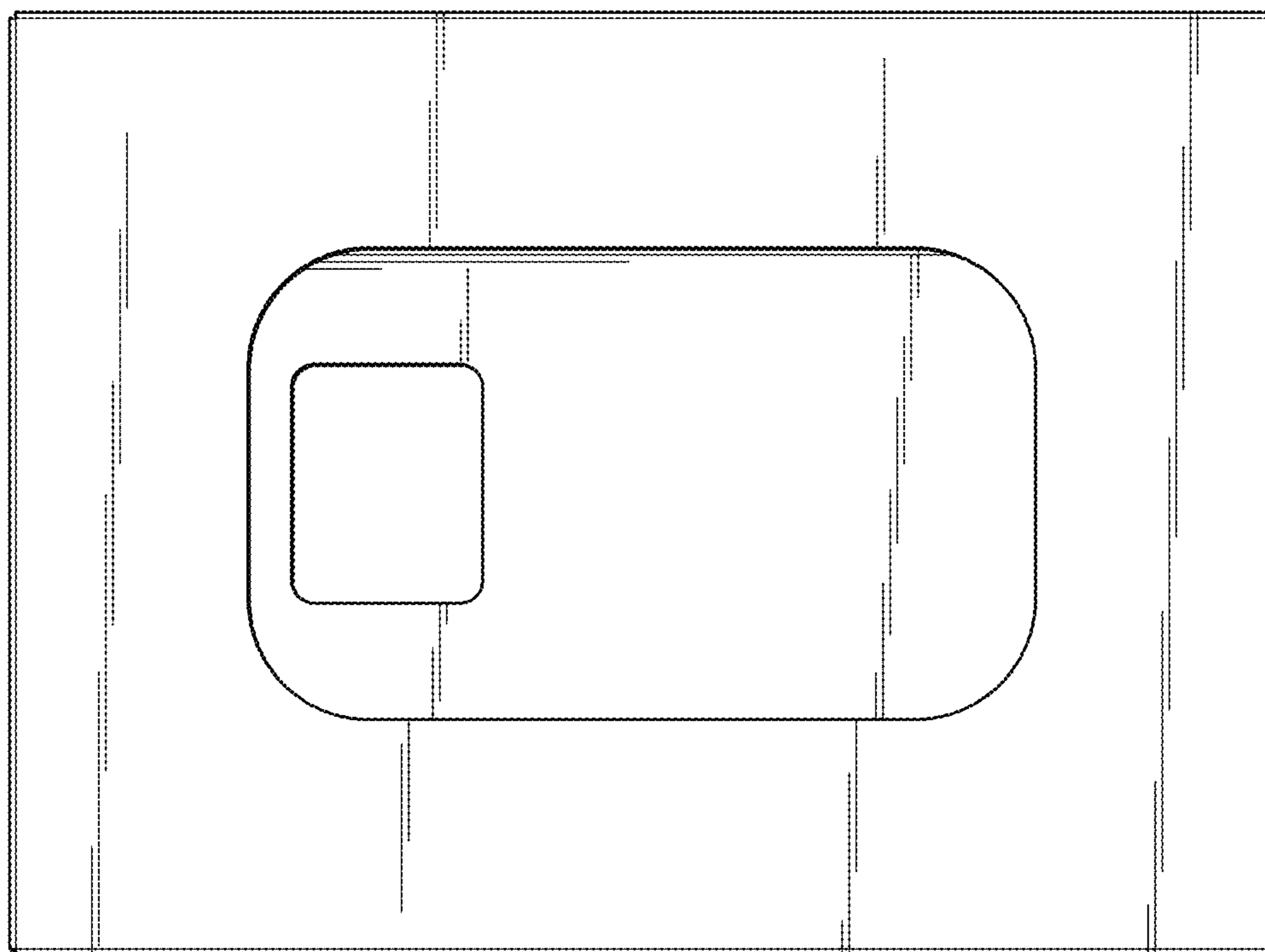


FIG. 3

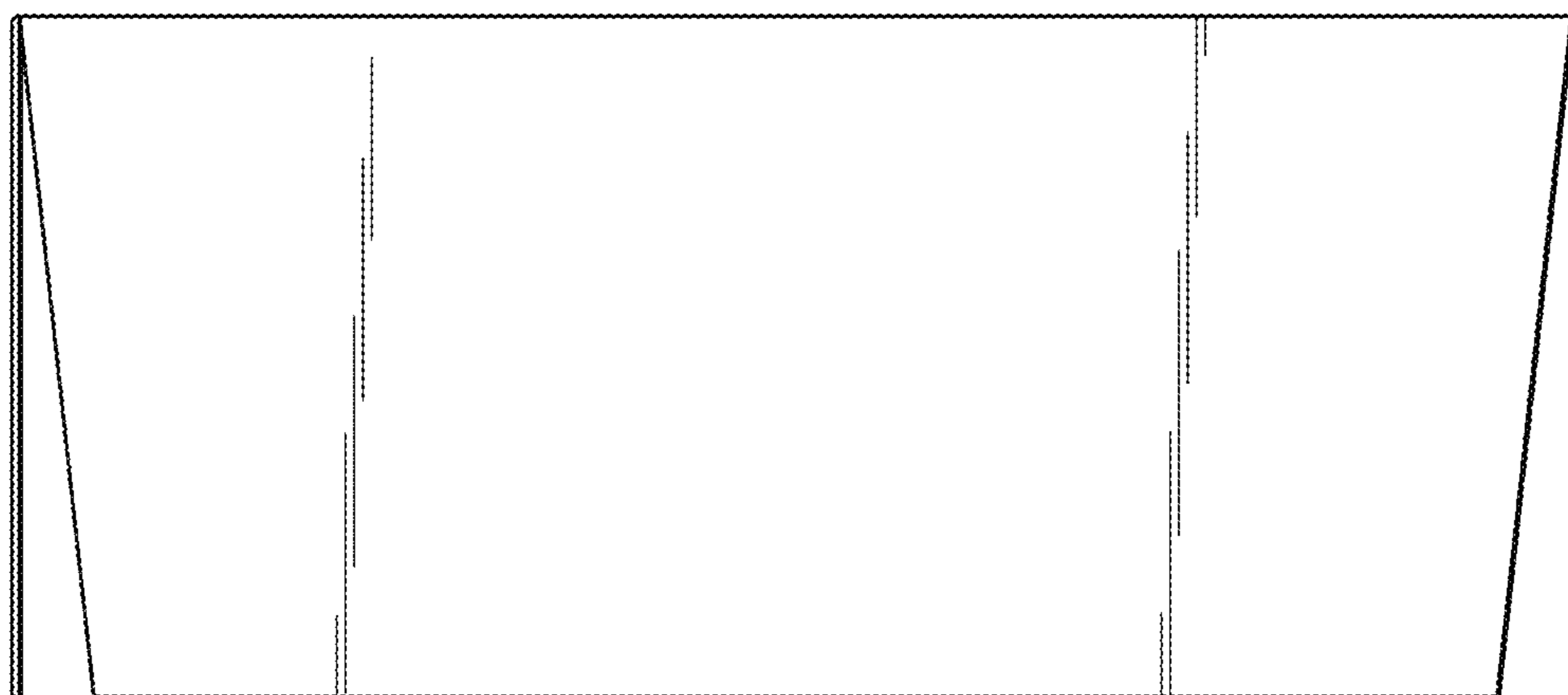


FIG. 2

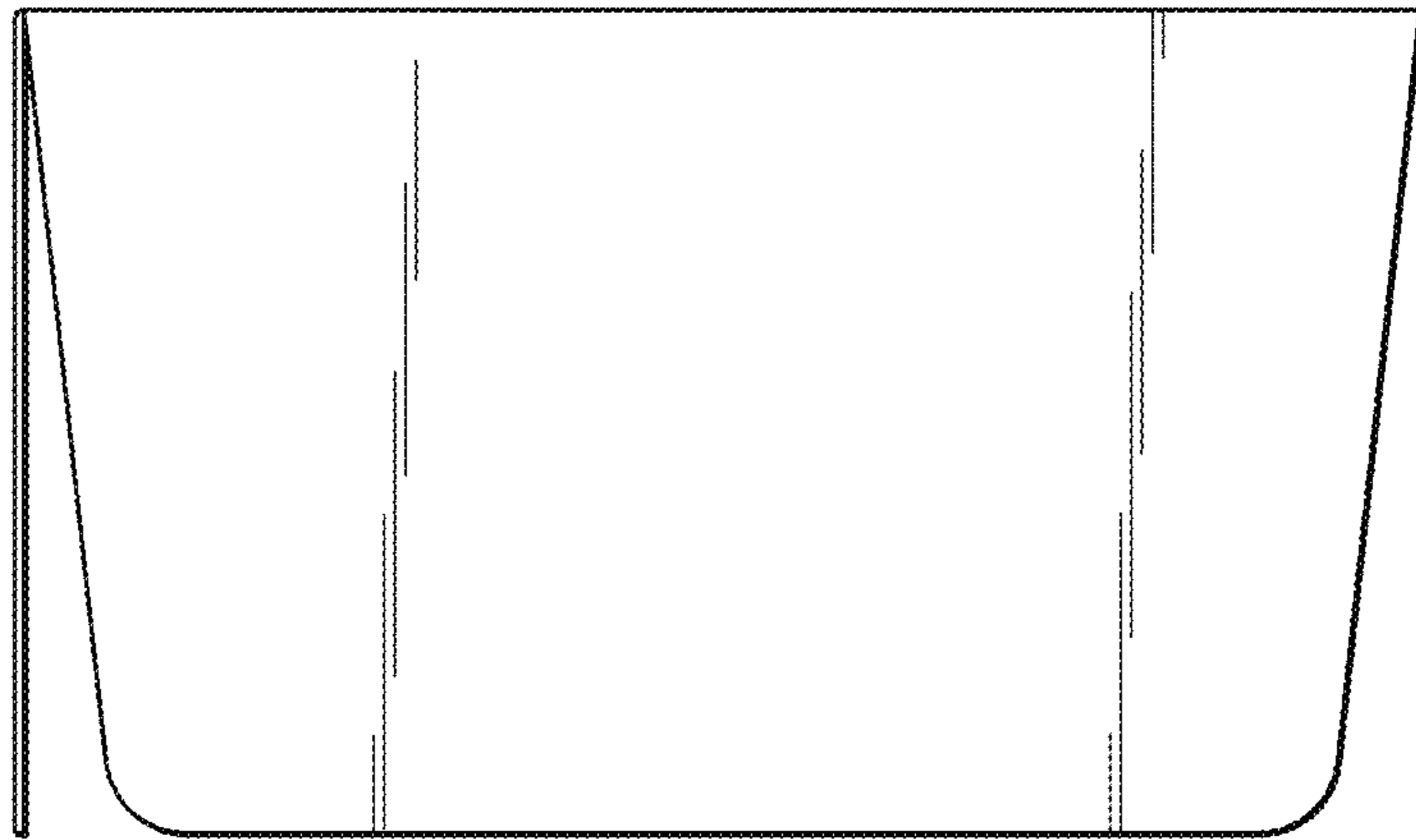


FIG. 4

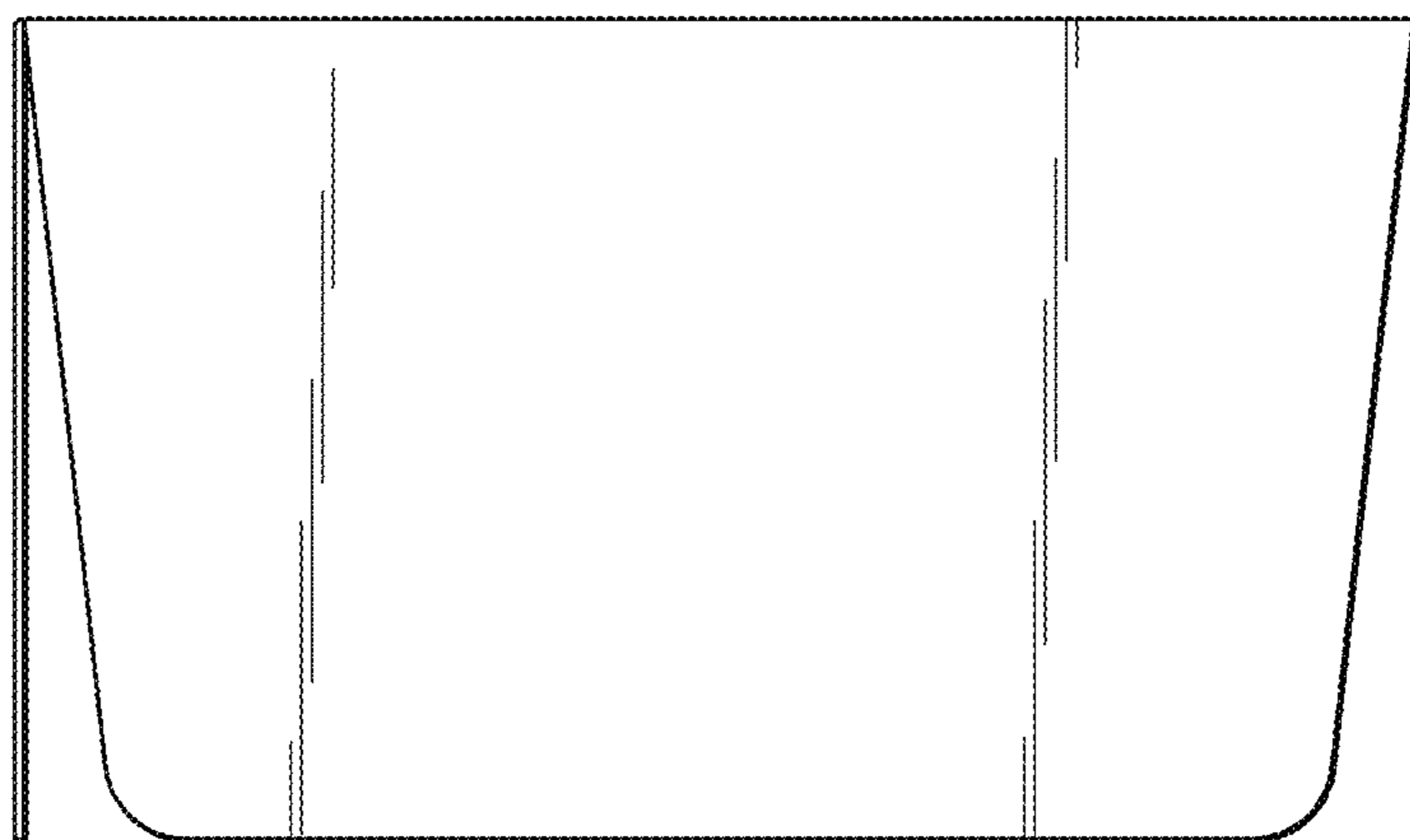


FIG. 5

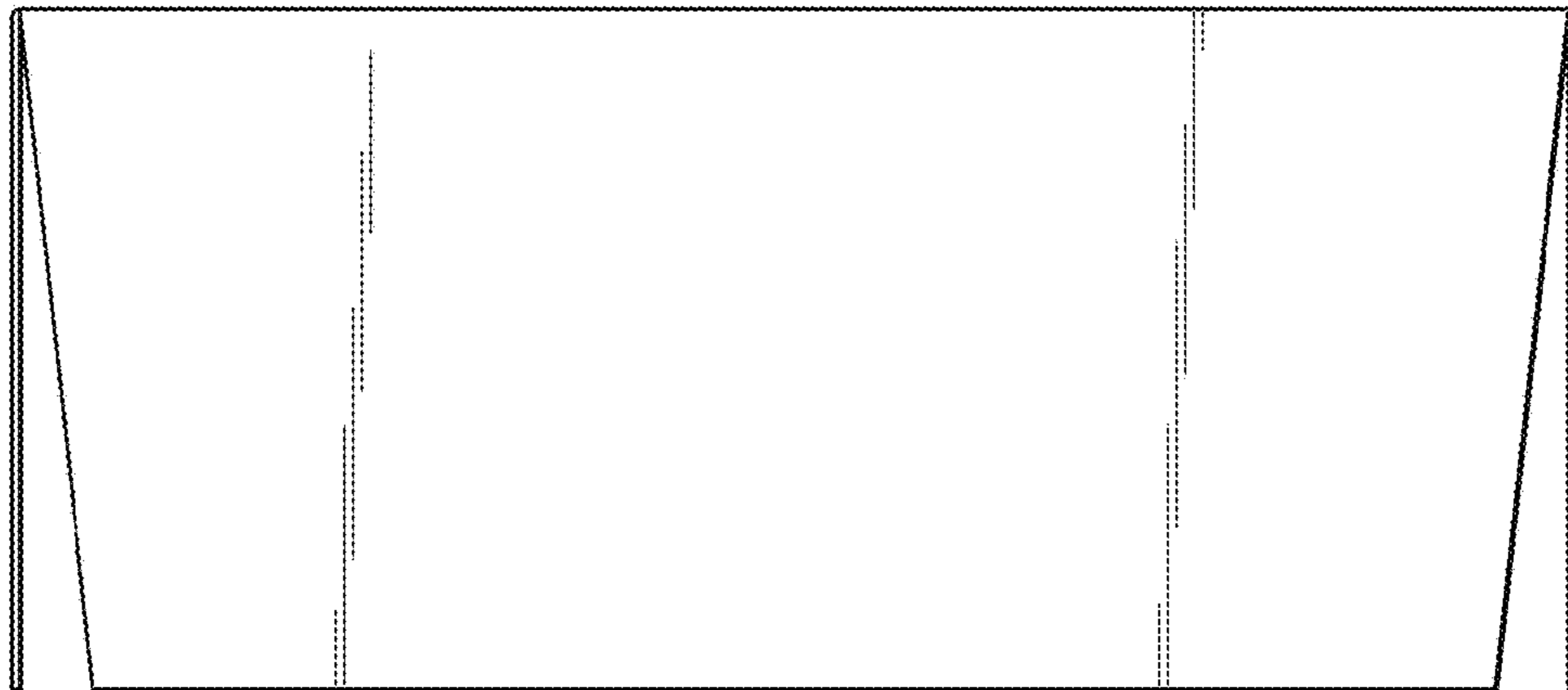


FIG. 6

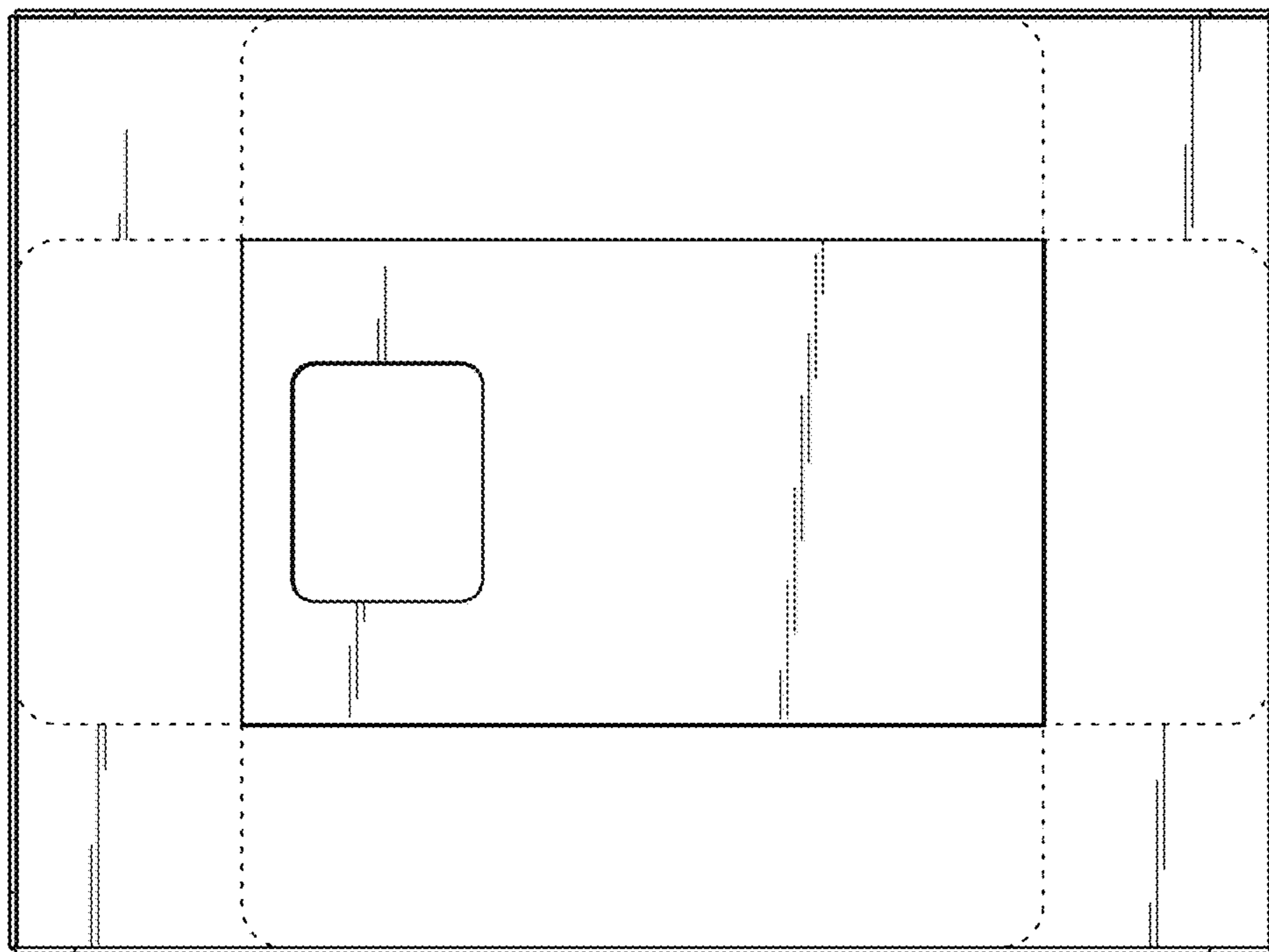


FIG. 7