



US00D796952S

(12) **United States Design Patent** (10) **Patent No.:** **US D796,952 S**  
**Katopis** (45) **Date of Patent:** **\*\* Sep. 12, 2017**

(54) **PAW-THEMED TAB CONTAINER CLOSURE**

(71) Applicant: **Chris Katopis**, Washington, DC (US)

(72) Inventor: **Chris J. Katopis**, Washington, DC (US)

(\*\*) Term: **15 Years**

(21) Appl. No.: **29/602,513**

(22) Filed: **May 1, 2017**

(51) **LOC (10) Cl.** ..... **09-07**

(52) **U.S. Cl.**  
USPC ..... **D9/451**; D9/438

(58) **Field of Classification Search**

USPC ..... D7/392.1; D9/600–601, 434–435, D9/438–441, 451; 206/494, 457, 459.1, 206/459.2; 220/890; 215/206, 260, 215/387–400; D3/211; D8/38; D20/29–30

CPC ..... B65D 67/00; B65D 81/36; B65D 41/00; B65D 41/02; B65D 43/00; B65D 43/02

See application file for complete search history.

(56) **References Cited**

U.S. PATENT DOCUMENTS

D244,915 S	7/1977	Cudzik	
D253,028 S	10/1979	Gunn	
D272,607 S	2/1984	Hasegawa et al.	
D274,680 S	7/1984	Sussman	
D289,017 S	3/1987	Spangler et al.	
D296,990 S	8/1988	Juty	
D314,338 S	2/1991	Piltz	
D318,220 S	7/1991	Stenberg et al.	
D337,708 S	7/1993	Morris, Jr.	
D339,380 S *	9/1993	Scapillato	D20/29
D360,304 S *	7/1995	Fachinger	D6/302
D383,473 S *	9/1997	Wood	D15/135
D397,740 S	9/1998	Georgevich	
6,024,239 A	2/2000	Turner et al.	

D426,155 S	6/2000	Blow et al.	
D426,771 S	6/2000	Blow et al.	
6,234,336 B1	5/2001	Neiner	
D445,518 S	7/2001	Warden	
6,405,889 B1	6/2002	Neiner	
D467,393 S	12/2002	Warden	
D471,841 S	3/2003	Hamai et al.	
D473,769 S *	4/2003	Kelleghan	D8/38
D474,967 S	5/2003	Kaneko	
D504,223 S *	4/2005	Tamburri	D3/211
7,000,797 B2	2/2006	Forrest et al.	
D530,604 S *	10/2006	Huckel	D9/438
D533,775 S *	12/2006	Huckel	D9/438
D579,771 S	11/2008	Cherian	
D581,830 S	12/2008	Slabaugh	
D585,727 S *	2/2009	Kelleghan	D8/356
D589,660 S *	3/2009	Tolentino-Swem	D30/153
D600,116 S	9/2009	Cherian	

(Continued)

*Primary Examiner* — Sandra Morris

(74) *Attorney, Agent, or Firm* — Chris J. Katopis

(57) **CLAIM**

The ornamental design for a paw-themed tab container closure, as shown and described.

**DESCRIPTION**

FIG. 1 is an elevated perspective view of a first embodiment of a paw-themed tab container closure, showing my new design;

FIG. 2 is a top plan view thereof;

FIG. 3 is a bottom plan view thereof;

FIG. 4 is a side view thereof;

FIG. 5 is the opposite side view thereof;

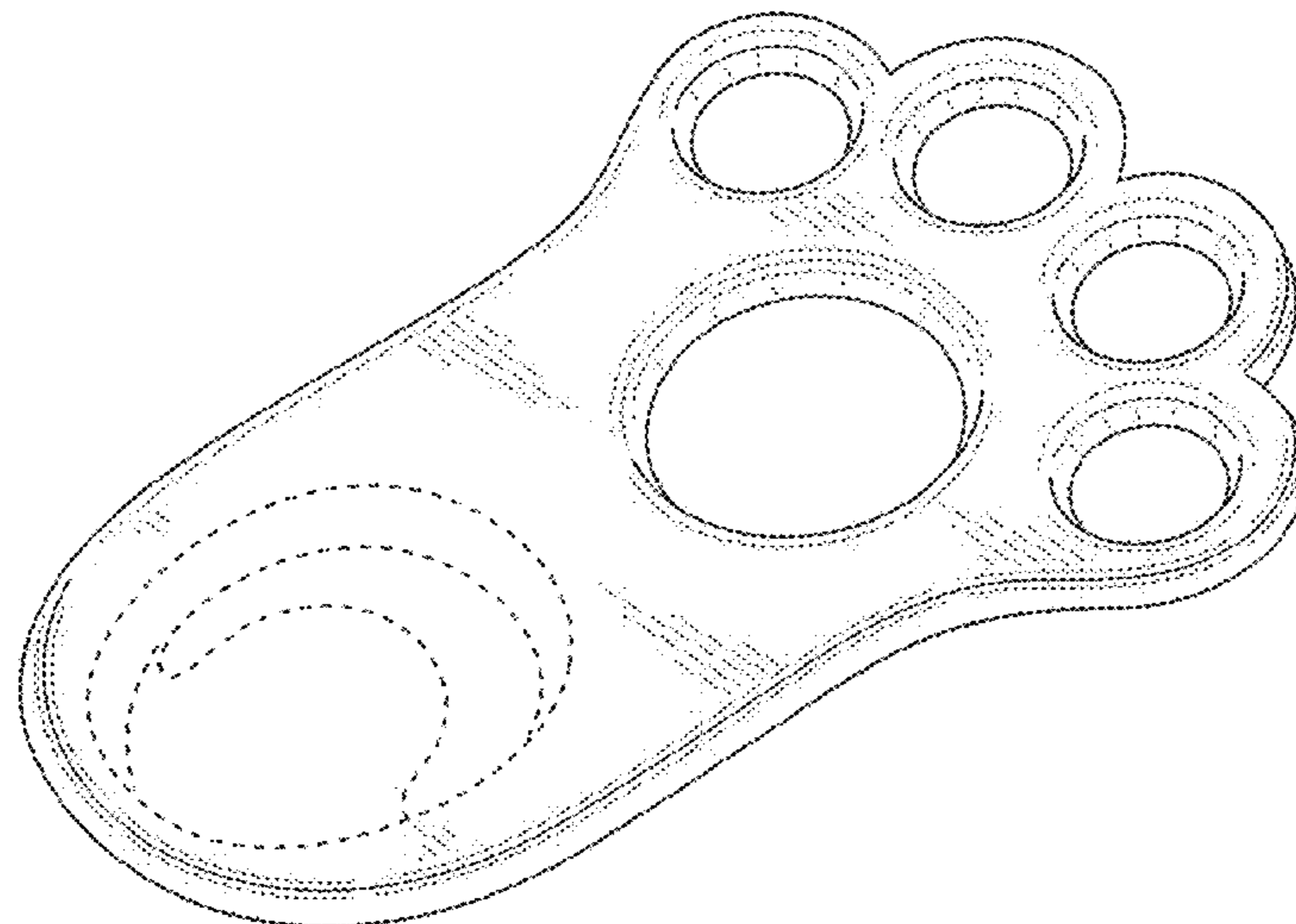
FIG. 6 is a front view thereof;

FIG. 7 is a rear view thereof; and,

FIG. 8 is an elevated perspective view of a second embodiment thereof.

The broken lines in the drawing illustrate portions of said tab which form no part of the claimed design.

**1 Claim, 8 Drawing Sheets**



(56)

**References Cited**

U.S. PATENT DOCUMENTS

D602,776 S	10/2009	Cherian	
D612,724 S	3/2010	Cherian	
D614,074 S	4/2010	Castaline et al.	
D620,796 S *	8/2010	McEldowney .....	D9/438
D627,637 S *	11/2010	Kallenbach .....	D9/441
D636,134 S	4/2011	Spurgeon	
D654,245 S	2/2012	School	
D654,791 S	2/2012	Benson, III	
8,211,346 B2	7/2012	Axelrod et al.	
D685,565 S	7/2013	Bhandula	
D693,862 S	11/2013	Wirth, Jr. et al.	
D697,687 S	1/2014	Kerr et al.	
D703,749 S	4/2014	Pascale	
D722,470 S *	2/2015	Rudisill .....	D7/392.1
D739,728 S	9/2015	Schorre	
D748,920 S	2/2016	Miller	
D761,874 S	7/2016	Katopis	
D775,965 S	1/2017	Wang	
D781,707 S	3/2017	Schorre	

\* cited by examiner

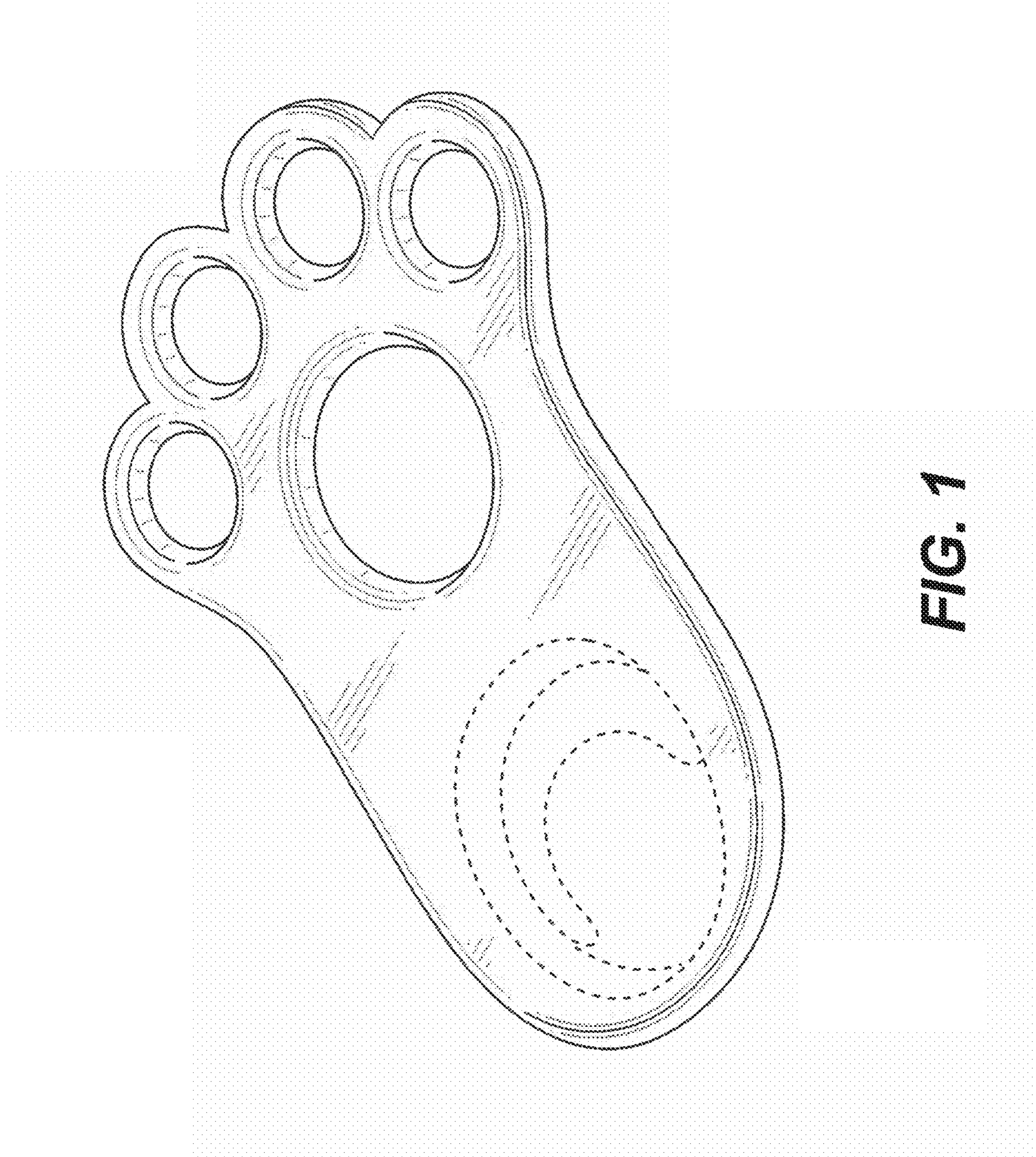


FIG. 1

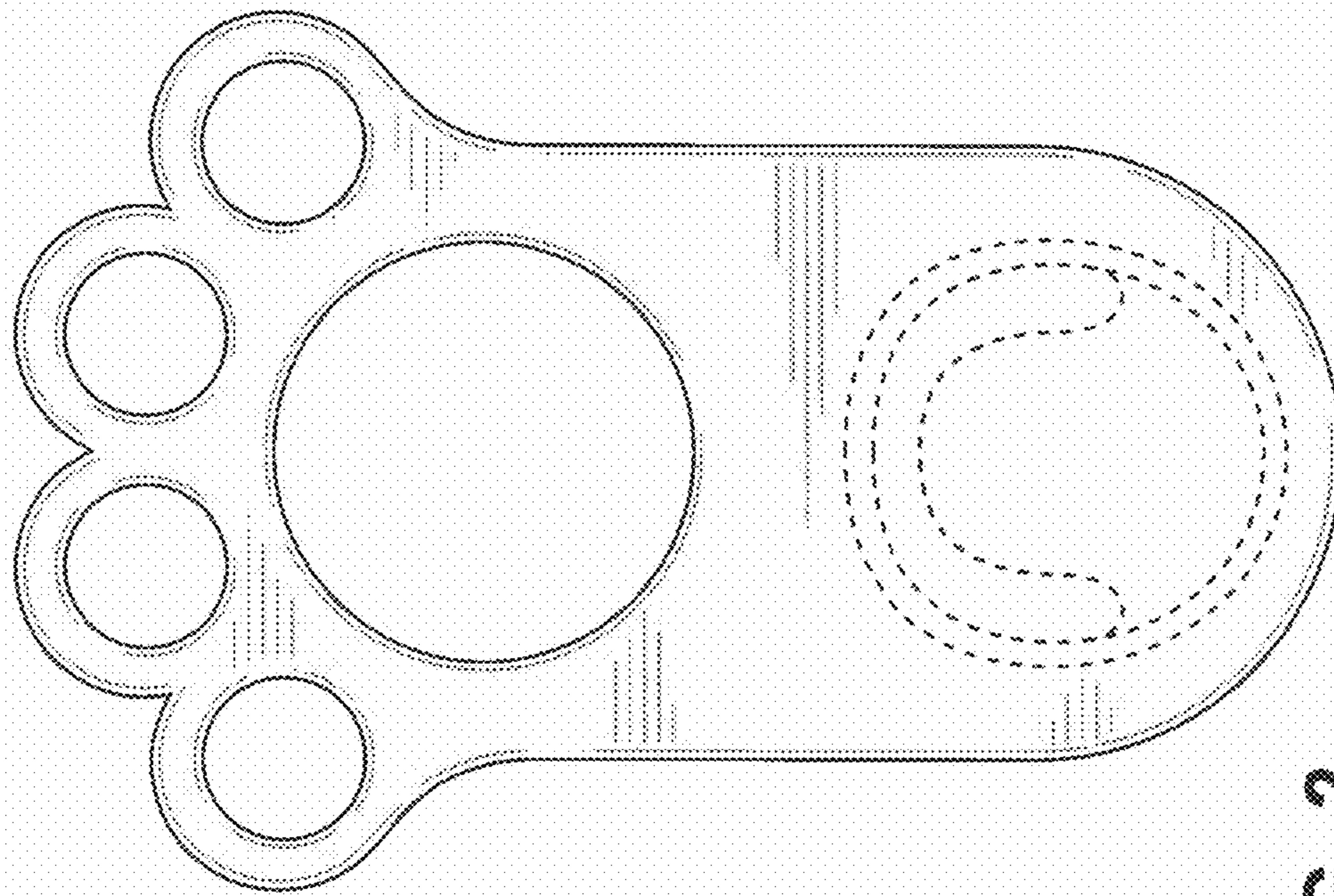


FIG. 2

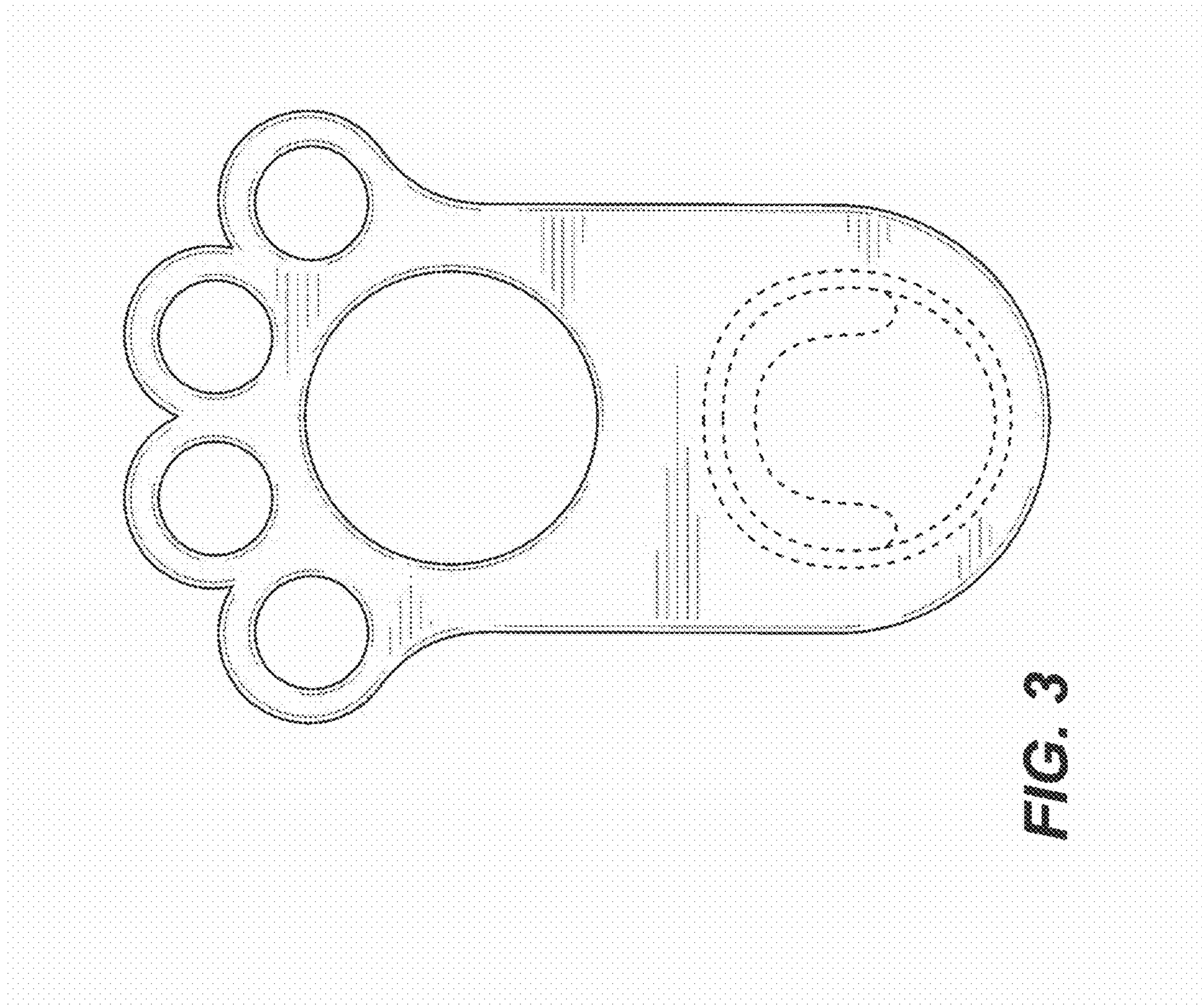


FIG. 3

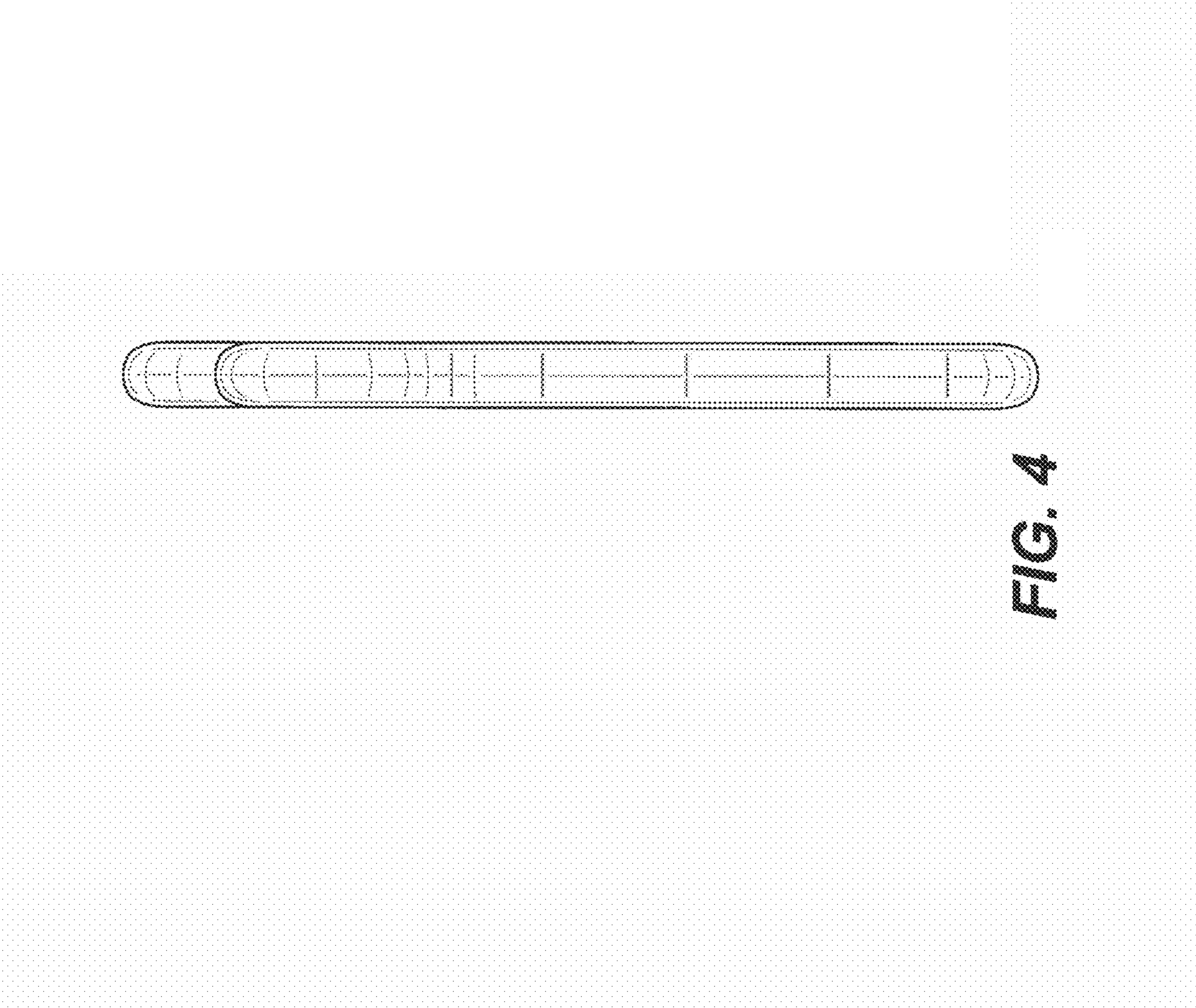


FIG. 4

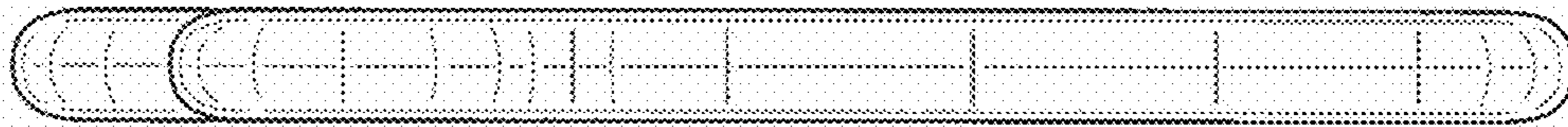
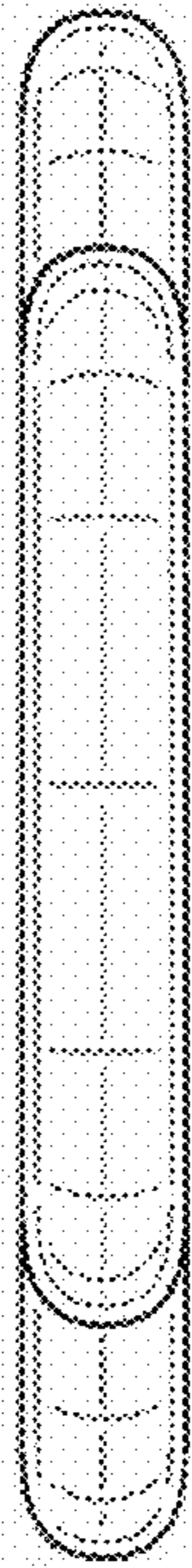


FIG. 5



FIG. 6





**FIG. 7**

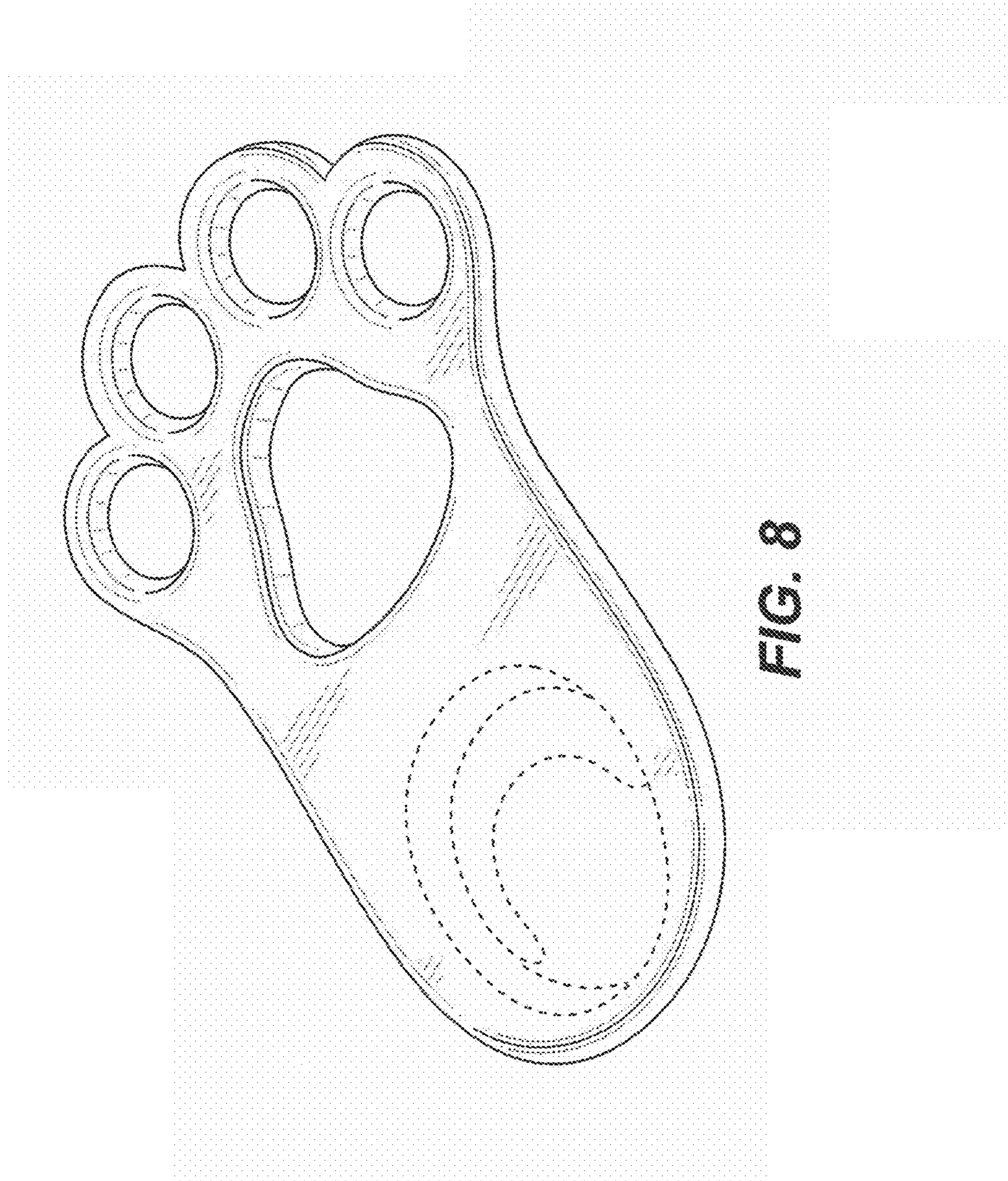


FIG. 8