



US00D796947S

(12) **United States Design Patent**
Hsu

(10) **Patent No.:** **US D796,947 S**
(45) **Date of Patent:** **** Sep. 12, 2017**

(54) **NUT**
(71) Applicant: **Chia-Che Hsu**, Kaohsiung (TW)
(72) Inventor: **Chia-Che Hsu**, Kaohsiung (TW)
(**) Term: **15 Years**
(21) Appl. No.: **29/570,153**
(22) Filed: **Jul. 6, 2016**
(51) **LOC (10) Cl.** **08-08**
(52) **U.S. Cl.**
USPC **D8/397**
(58) **Field of Classification Search**
USPC D8/397, 394, 382, 349; 411/427
CPC A61B 17/0401; E04D 13/1476; E04G
25/065; F16B 41/002; F16B 23/0061
See application file for complete search history.

5,927,921 A * 7/1999 Hukari F16B 31/06
411/186
D416,192 S * 11/1999 Tu D8/397
6,220,804 B1 * 4/2001 Pamer F16B 37/068
29/432.2
6,361,258 B1 * 3/2002 Heesch F16B 23/0084
411/178
6,387,129 B2 * 5/2002 Rieser A61B 17/8615
606/318
D459,207 S * 6/2002 Miyata D8/397
6,457,923 B1 * 10/2002 Grossman A47C 17/1753
411/104
6,478,518 B1 * 11/2002 Hwang F16B 12/14
411/104
6,540,750 B2 * 4/2003 Burkhart A61B 17/0401
606/232
D512,886 S * 12/2005 Christensen D8/14
D524,149 S * 7/2006 Kim D8/397
D551,972 S * 10/2007 Jacobs D9/445
D588,893 S * 3/2009 Radich D8/70
D602,349 S * 10/2009 Andersson D8/399
D609,999 S * 2/2010 Andersson D8/399
D613,594 S * 4/2010 Huang D12/213
D613,595 S * 4/2010 Huang D12/213
D614,247 S * 4/2010 Clausen D21/488

(Continued)

(56) **References Cited**

U.S. PATENT DOCUMENTS

D30,898 S * 5/1899 Paine 411/427
3,042,068 A * 7/1962 Smith F16K 1/422
137/315.05
3,269,228 A * 8/1966 Mack B25B 13/06
81/177.6
D233,138 S * 10/1974 Vogel 215/200
4,134,438 A * 1/1979 Frieberg F16B 39/24
411/163
4,207,938 A * 6/1980 Mortus F16B 39/284
411/281
4,436,005 A * 3/1984 Hanson B25B 13/481
81/177.75
D276,879 S * 12/1984 Bell D8/70
4,822,223 A * 4/1989 Williams F16B 37/122
403/268
D311,131 S * 10/1990 Saito D8/397
5,728,136 A * 3/1998 Thal A61B 17/0401
606/232

Primary Examiner — Cynthia Underwood

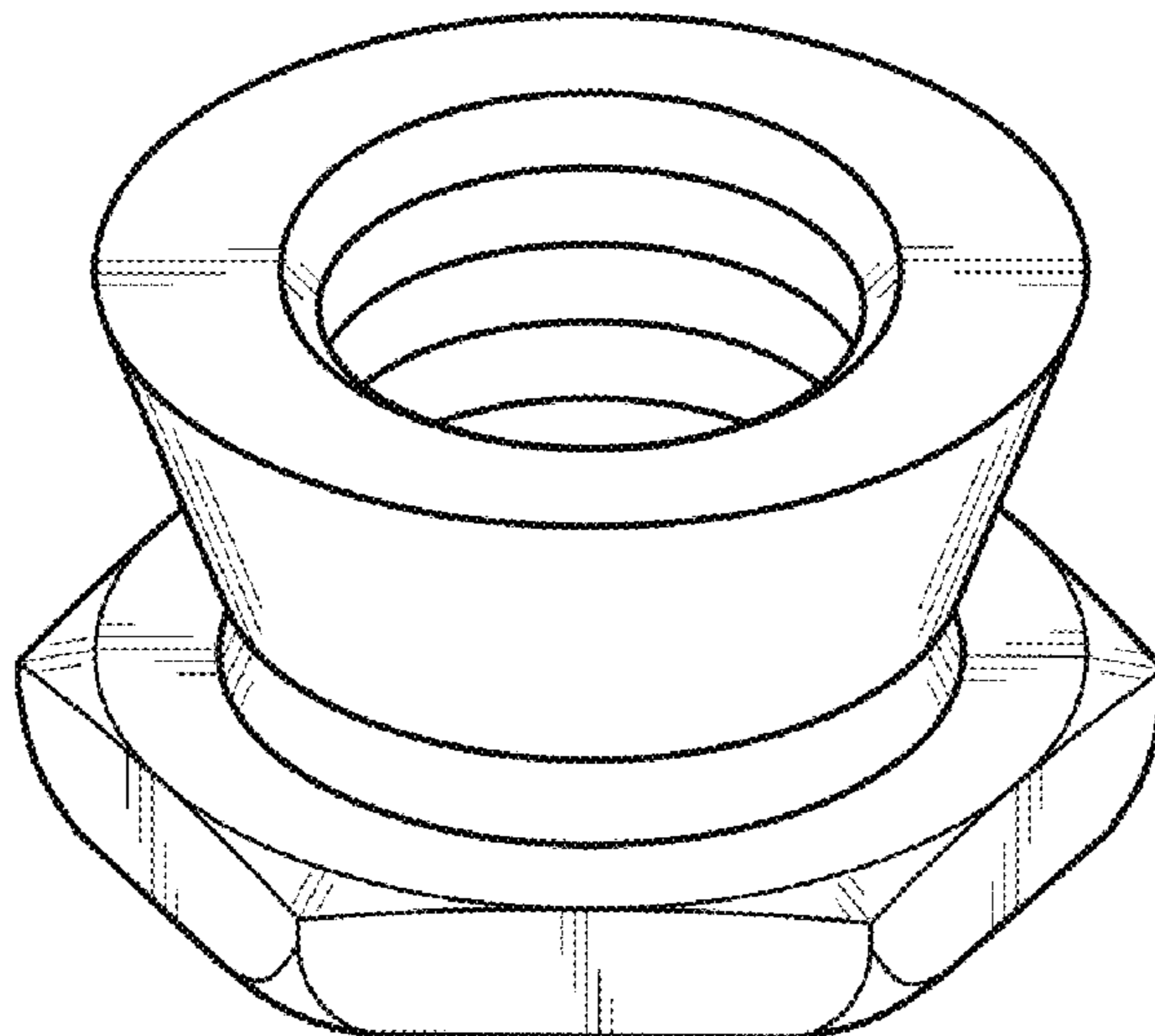
(57) **CLAIM**

The ornamental design for a nut, as shown and described.

DESCRIPTION

FIG. 1 is a perspective view of a nut showing my design;
FIG. 2 is a front elevational view thereof;
FIG. 3 is a rear elevational view thereof;
FIG. 4 is a left side elevational view thereof;
FIG. 5 is a right side elevational view thereof;
FIG. 6 is a top plan view thereof; and,
FIG. 7 is a bottom plan view thereof.

1 Claim, 4 Drawing Sheets



(56)

References Cited

U.S. PATENT DOCUMENTS

7,981,143 B2 * 7/2011 Doubler F16B 37/0864
606/300
D646,153 S * 10/2011 Andersson D8/397
D646,154 S * 10/2011 Andersson D8/397
D679,988 S * 4/2013 Yamazaki D8/397
D691,033 S * 10/2013 Allman D8/397
D698,234 S * 1/2014 Bauer D8/397
8,622,677 B2 * 1/2014 Wu B60S 9/08
411/427
D698,637 S * 2/2014 Su D8/397
D706,126 S * 6/2014 Orow D8/397
D713,243 S * 9/2014 Hsu D8/397
D721,423 S * 1/2015 Jacques D23/260
D725,461 S * 3/2015 Kopp D8/397
9,004,836 B2 * 4/2015 Wells F16B 23/0007
411/402
D788,574 S * 6/2017 Baiz D8/387

* cited by examiner

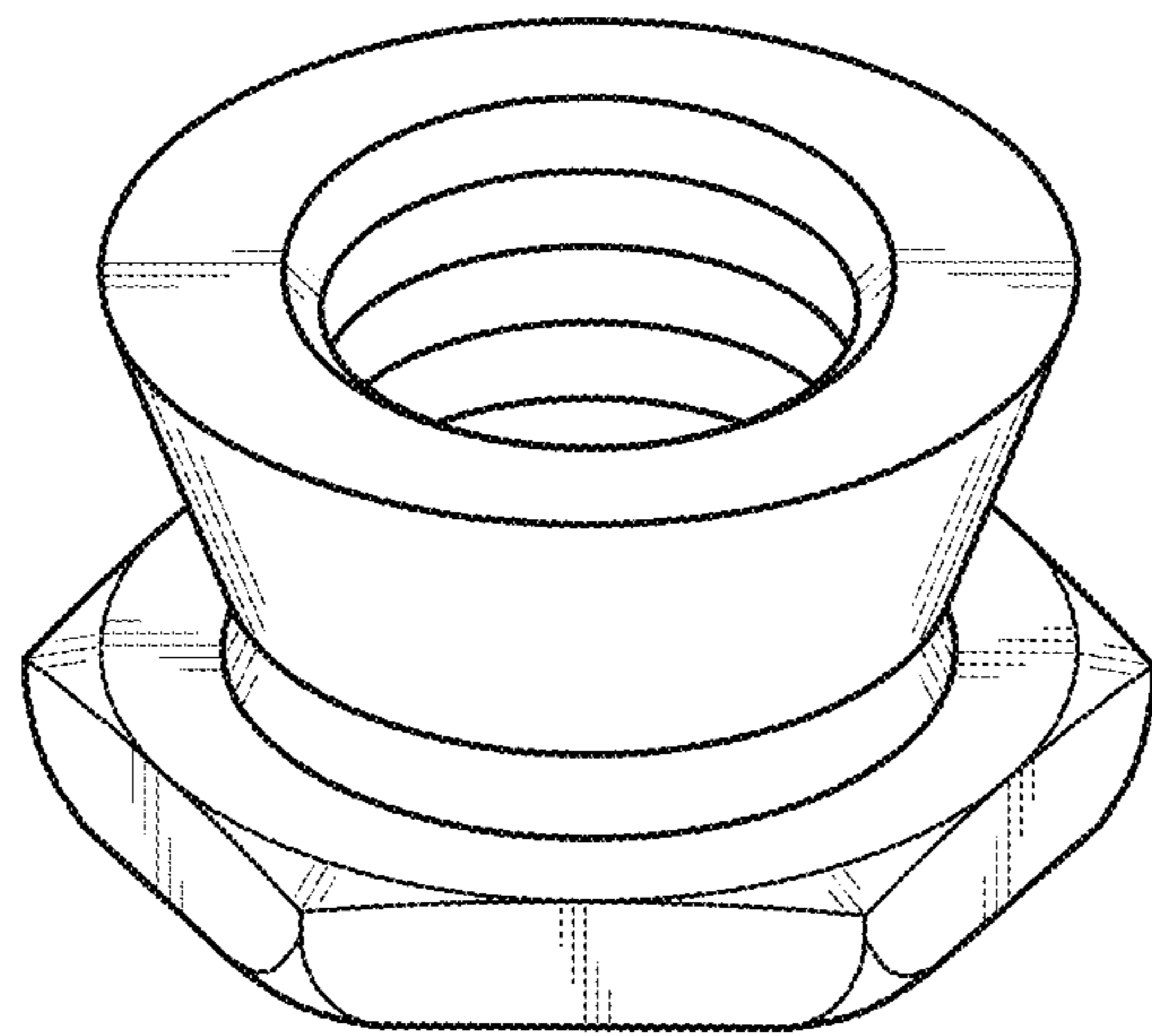


FIG. 1

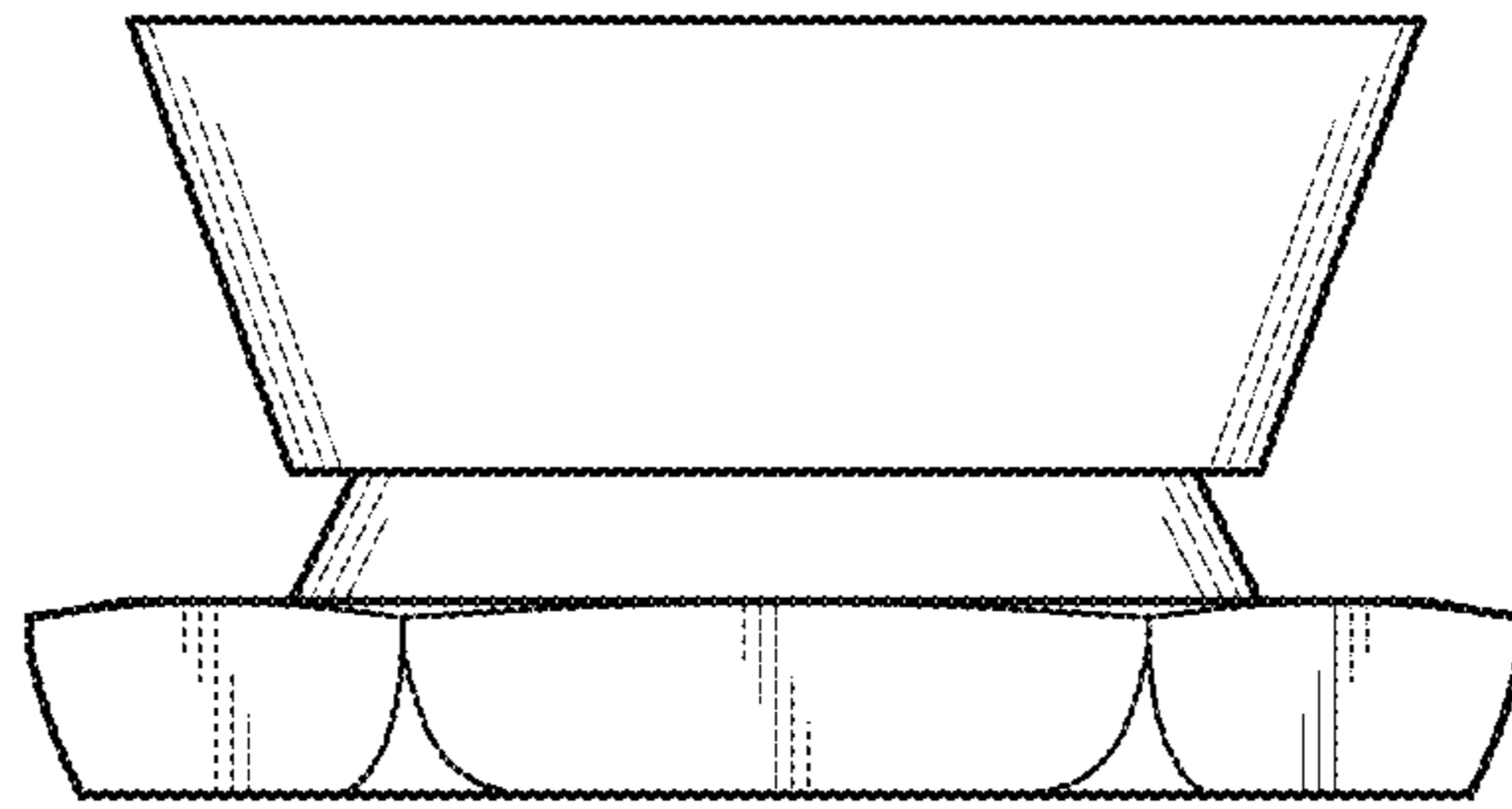


FIG. 2

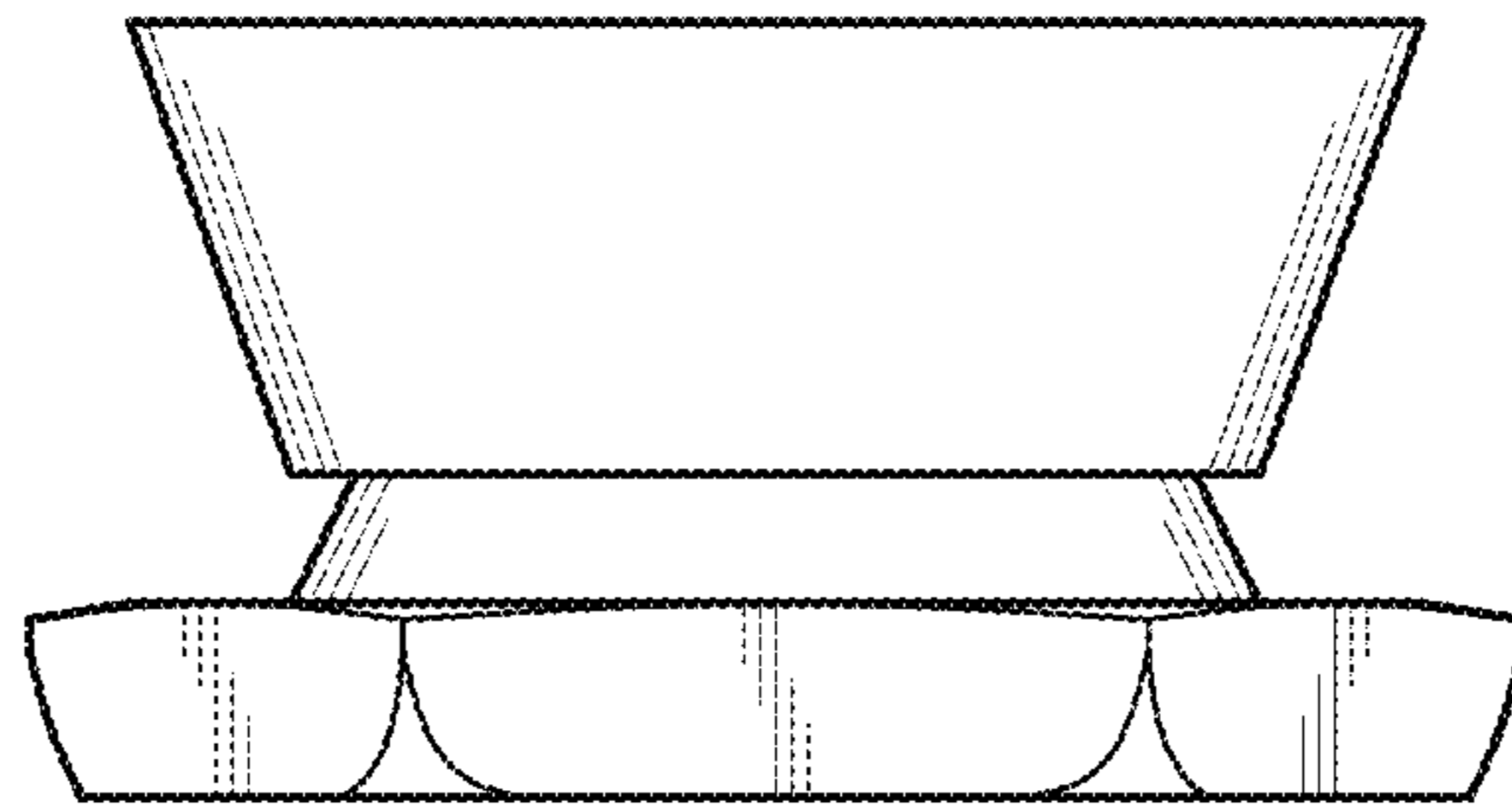


FIG. 3

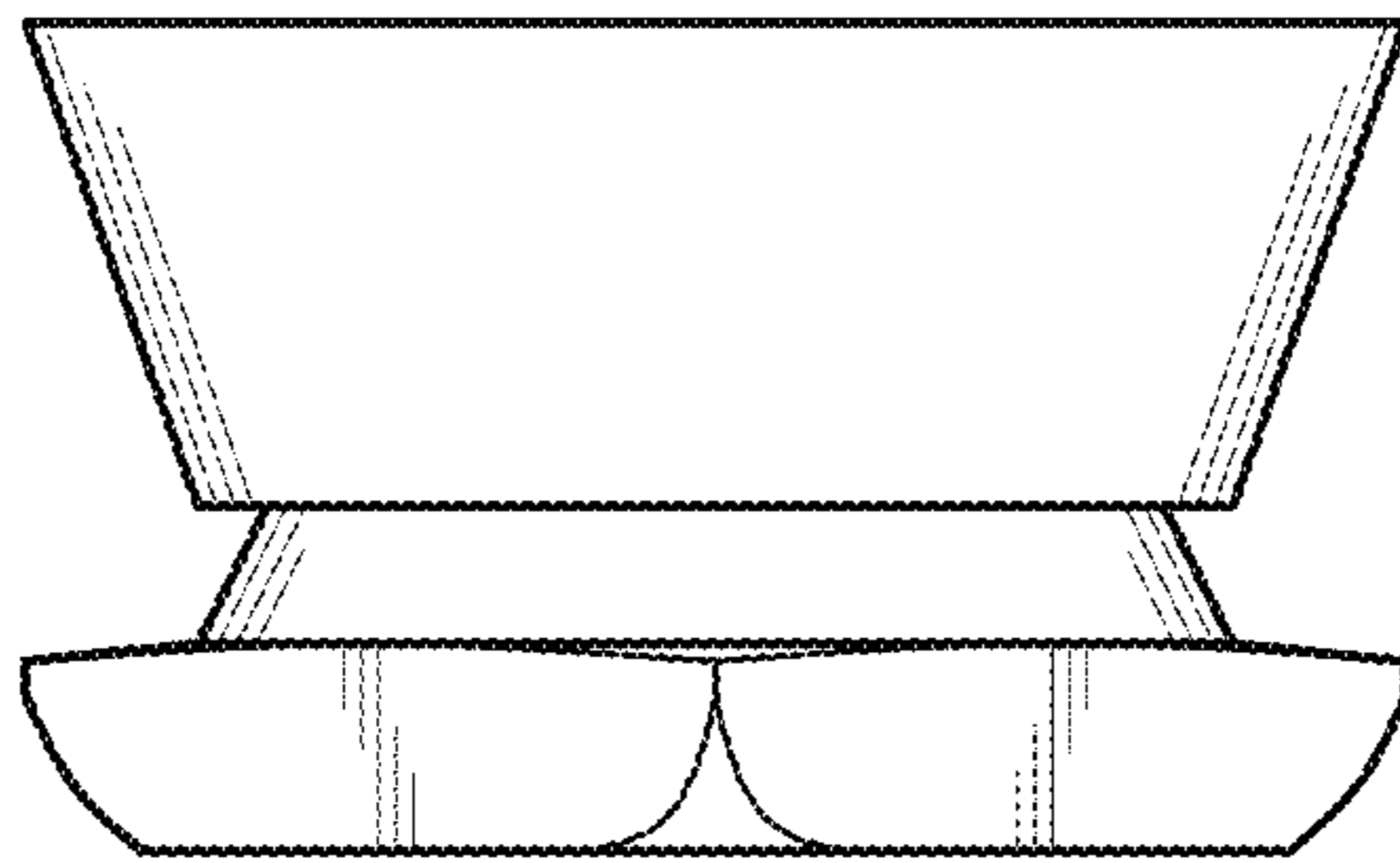


FIG. 4

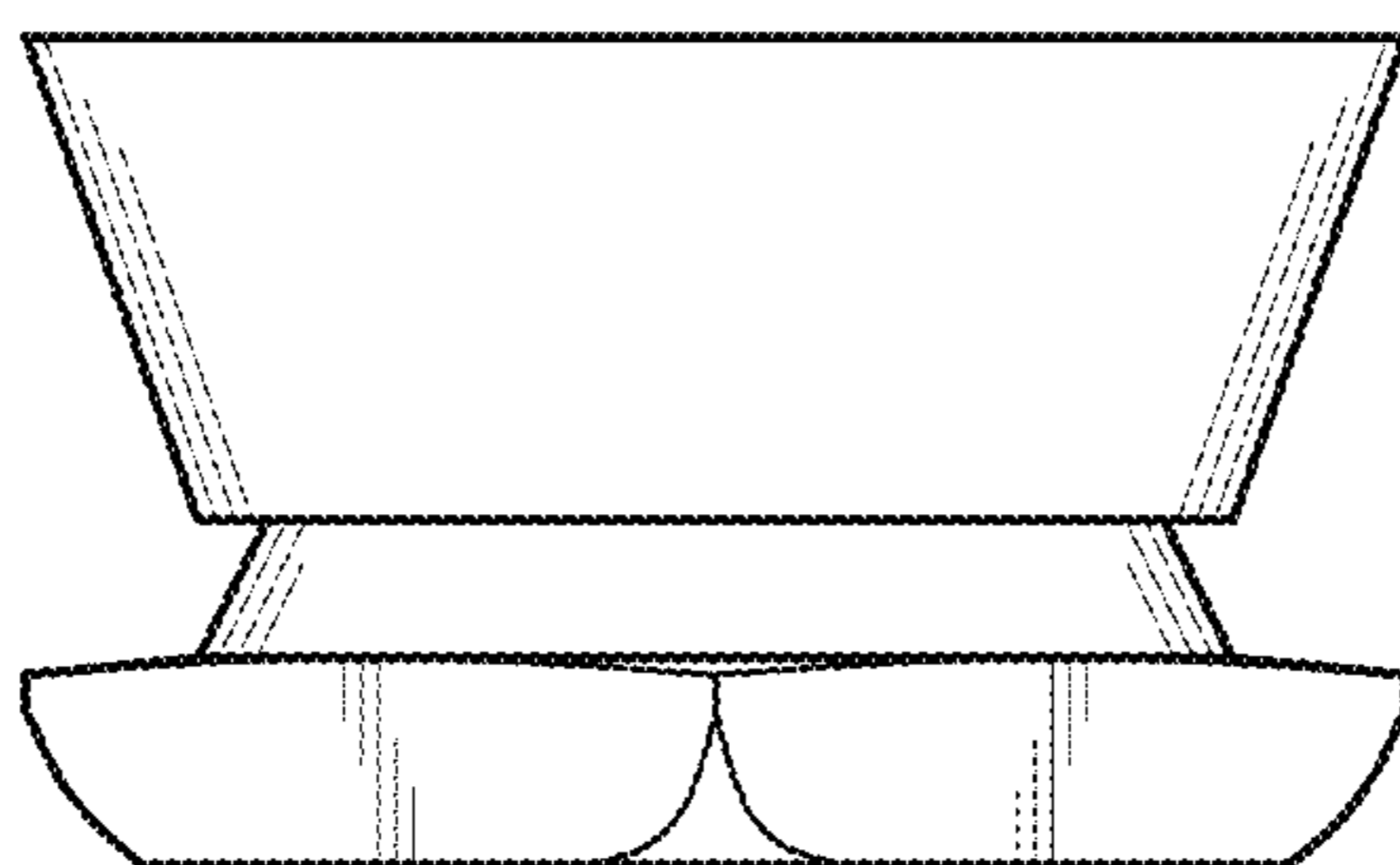


FIG. 5

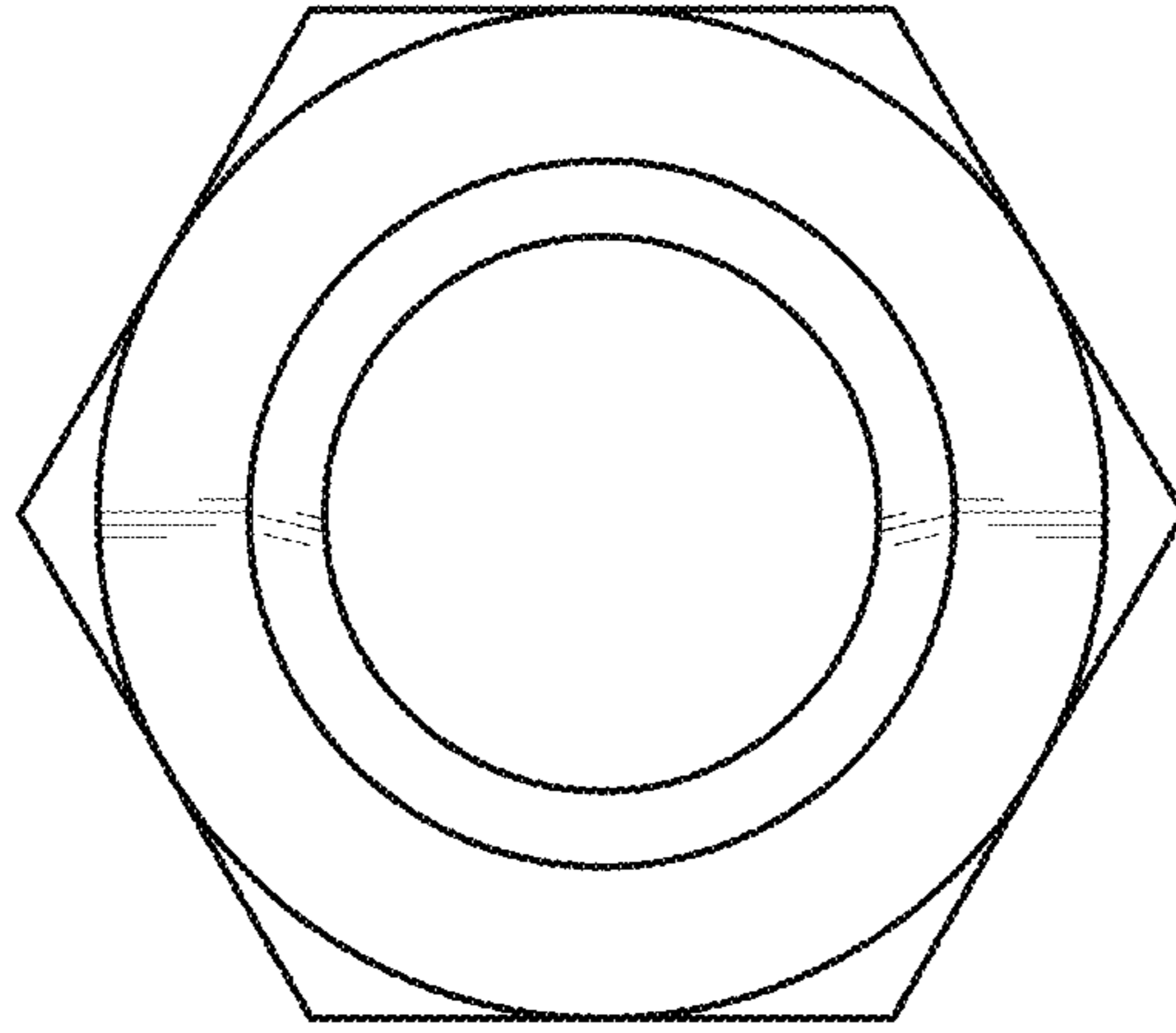


FIG. 6

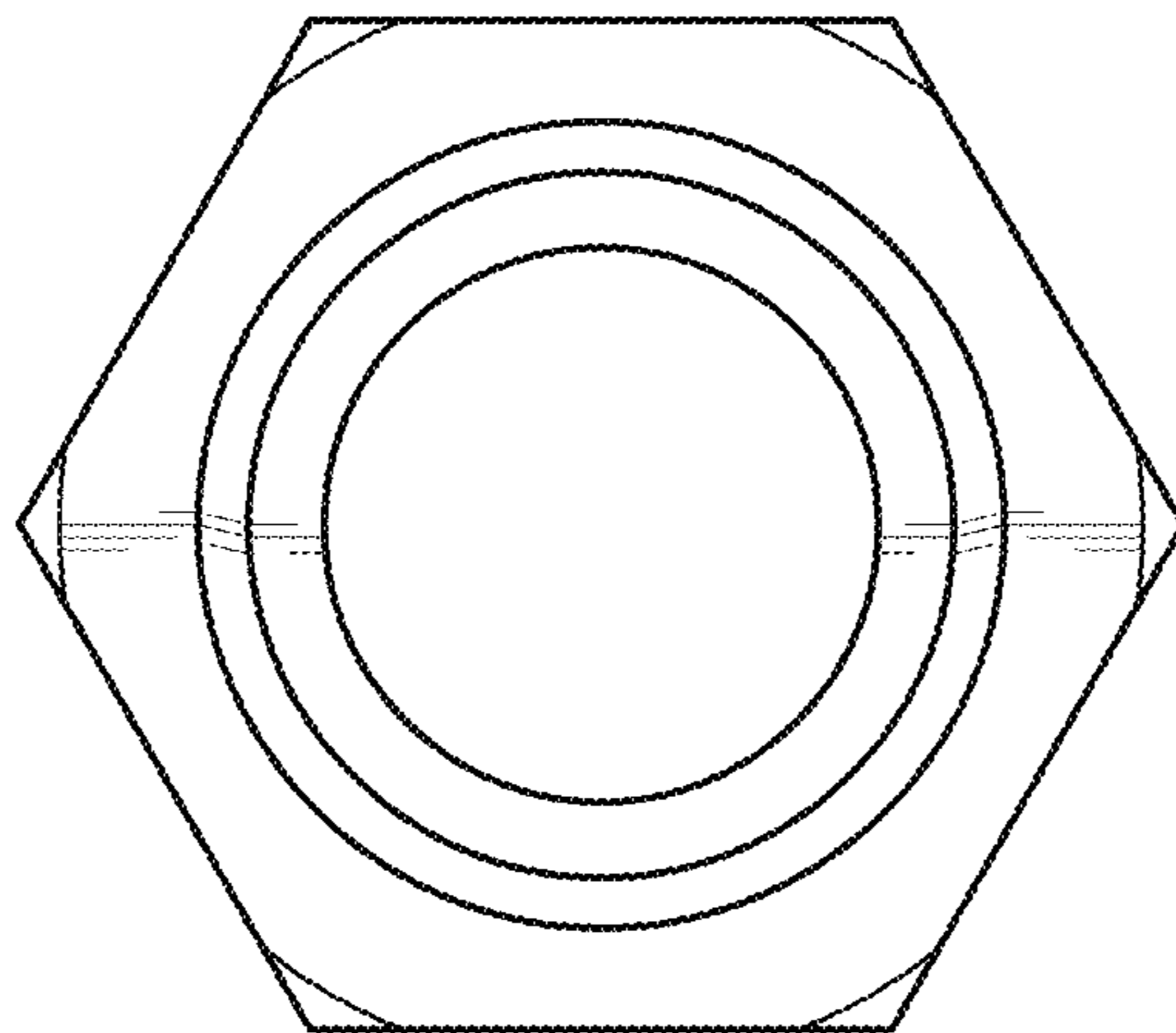


FIG. 7