

US00D796946S

(12) **United States Design Patent** (10) **Patent No.:** **US D796,946 S**
Pittman (45) **Date of Patent:** **** Sep. 12, 2017**

(54) **HANGER CLIP FOR STAIRWAY SPINDLES AND BALUSTERS**

(71) Applicant: **Craig Allen Pittman**, Bellevue, WA (US)

(72) Inventor: **Craig Allen Pittman**, Bellevue, WA (US)

(**) Term: **15 Years**

(21) Appl. No.: **29/620,014**

(22) Filed: **May 25, 2016**

Related U.S. Application Data

(63) Continuation-in-part of application No. 29/474,930, filed on Mar. 19, 2015, now Pat. No. Des. 759,474.

(51) **LOC (10) Cl.** **08-08**

(52) **U.S. Cl.**
USPC **D8/395**; D8/396

(58) **Field of Classification Search**
USPC D8/21-26, 28, 349-256, 360, 373, 396, D8/400
CPC H01R 11/11; F16L 23/036; F16L 3/13; E04B 2/74
See application file for complete search history.

(56) **References Cited**

U.S. PATENT DOCUMENTS

D281,393 S * 11/1985 Karnhag D6/552
D470,937 S * 2/2003 Gary D24/138
D484,783 S * 1/2004 Woodhall D8/356
D608,190 S * 1/2010 Jimenez D8/395
D648,211 S * 11/2011 Weaver D8/396

D660,690 S * 5/2012 Mixides D8/396
D664,838 S * 8/2012 Parks D8/395
D679,177 S * 4/2013 Craig D8/395
D745,382 S * 12/2015 Faria D8/396
D759,474 S * 6/2016 Pittman D8/395
D760,583 S * 7/2016 Weilage D8/395
D766,711 S * 9/2016 Babbage D8/394
D770,887 S * 11/2016 Sudol D8/395
D781,571 S * 3/2017 Moerer D3/215
D781,694 S * 3/2017 Iwata D8/14

* cited by examiner

Primary Examiner — John Windmuller
Assistant Examiner — Benjamin Weeks

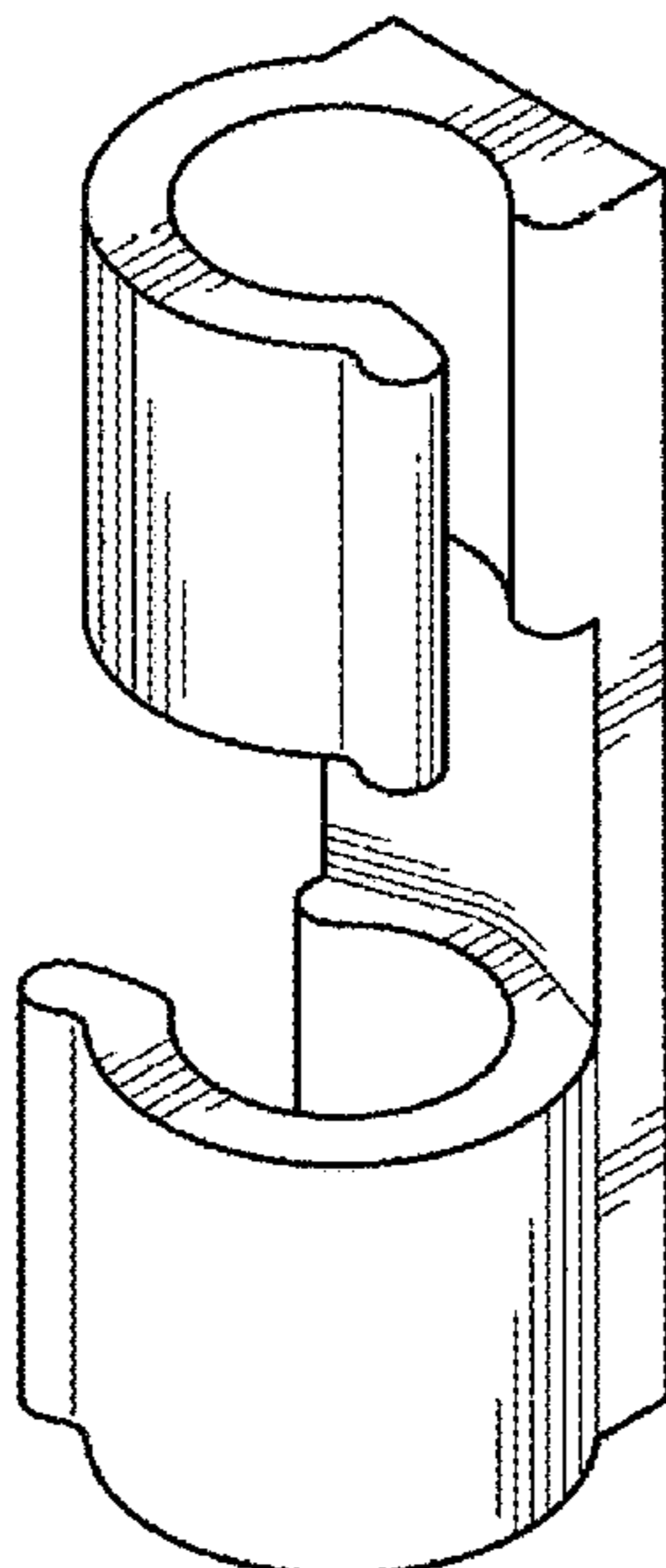
(57) **CLAIM**

The ornamental design for a hanger clip for stairway spindles & balusters, as shown and described.

DESCRIPTION

FIG. 1 is a front, right perspective view for a hanger clip for stairway spindles and balusters;
FIG. 2 is a back, left view thereof;
FIG. 3 is a top view thereof;
FIG. 4 is a left side view thereof;
FIG. 5 is a front view thereof;
FIG. 6 is a right side view thereof;
FIG. 7 is a bottom view thereof;
FIG. 8 is a rear view thereof;
FIG. 9 is a front, right perspective view showing the hanger clip in use with a type of environment thereof; and,
FIG. 10 is a front, right perspective view showing the hanger clip in use with a second type of environment thereof.
The broken lines show unclaimed environment and form no part of the claimed design.

1 Claim, 3 Drawing Sheets



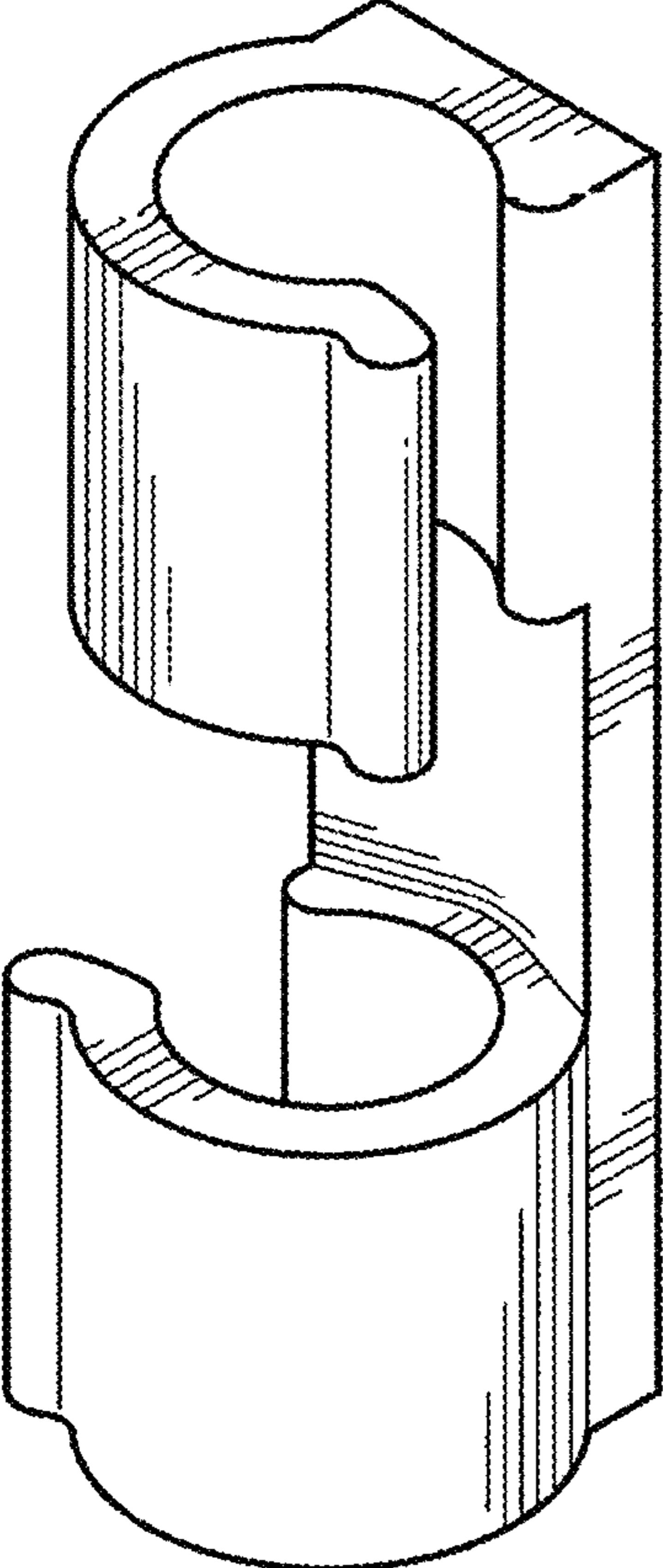


FIG. 1

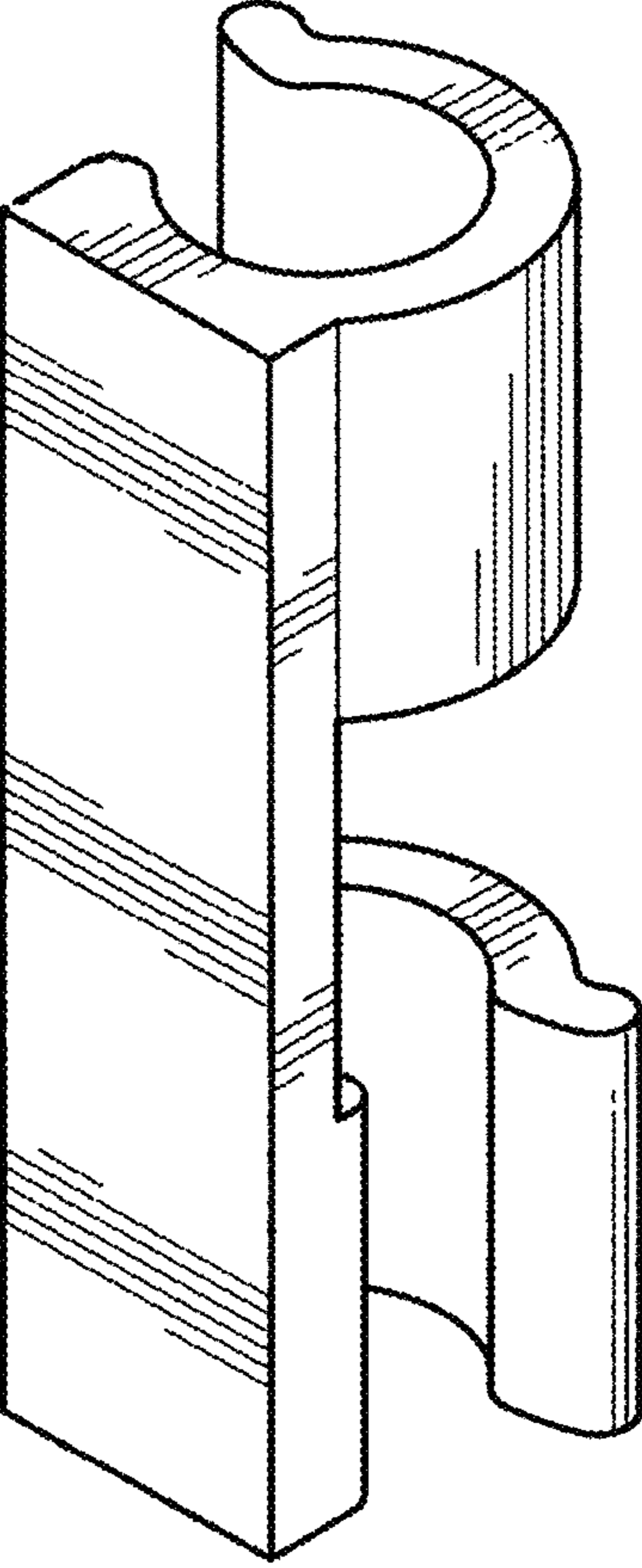


FIG. 2

FIG. 3

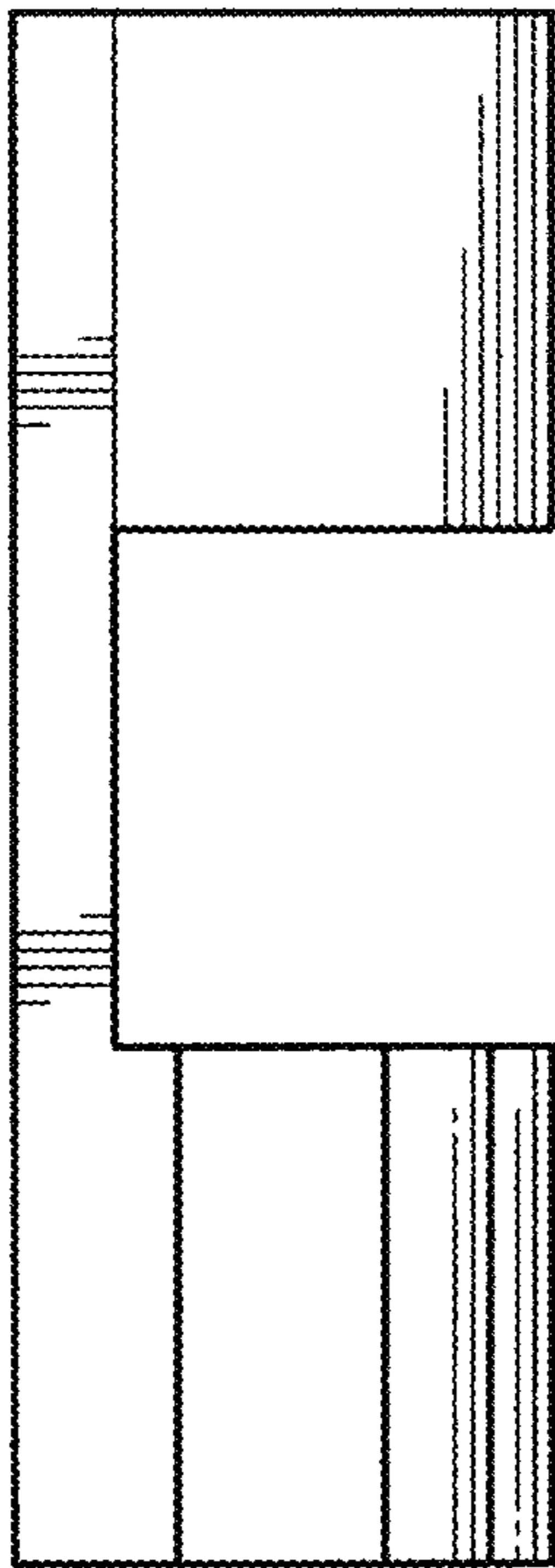
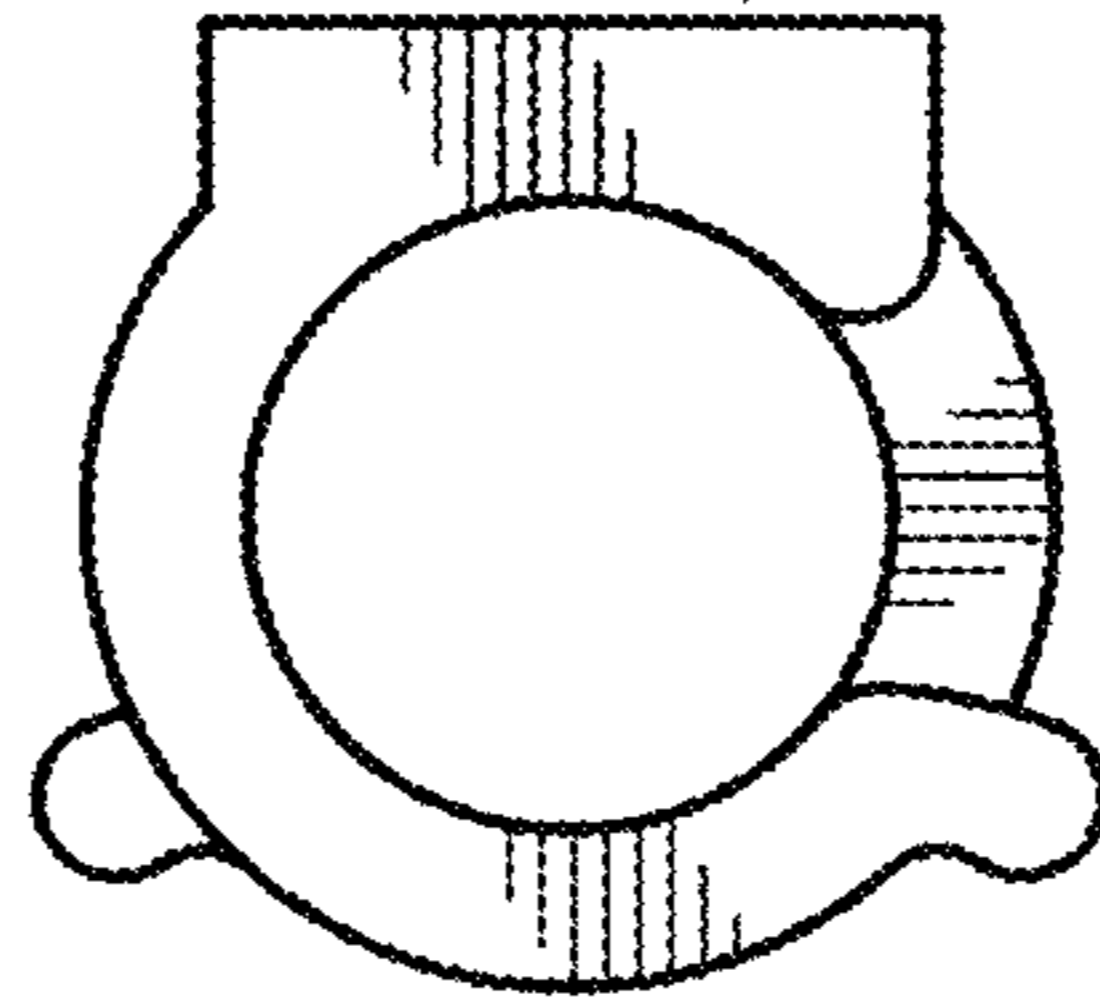


FIG. 4

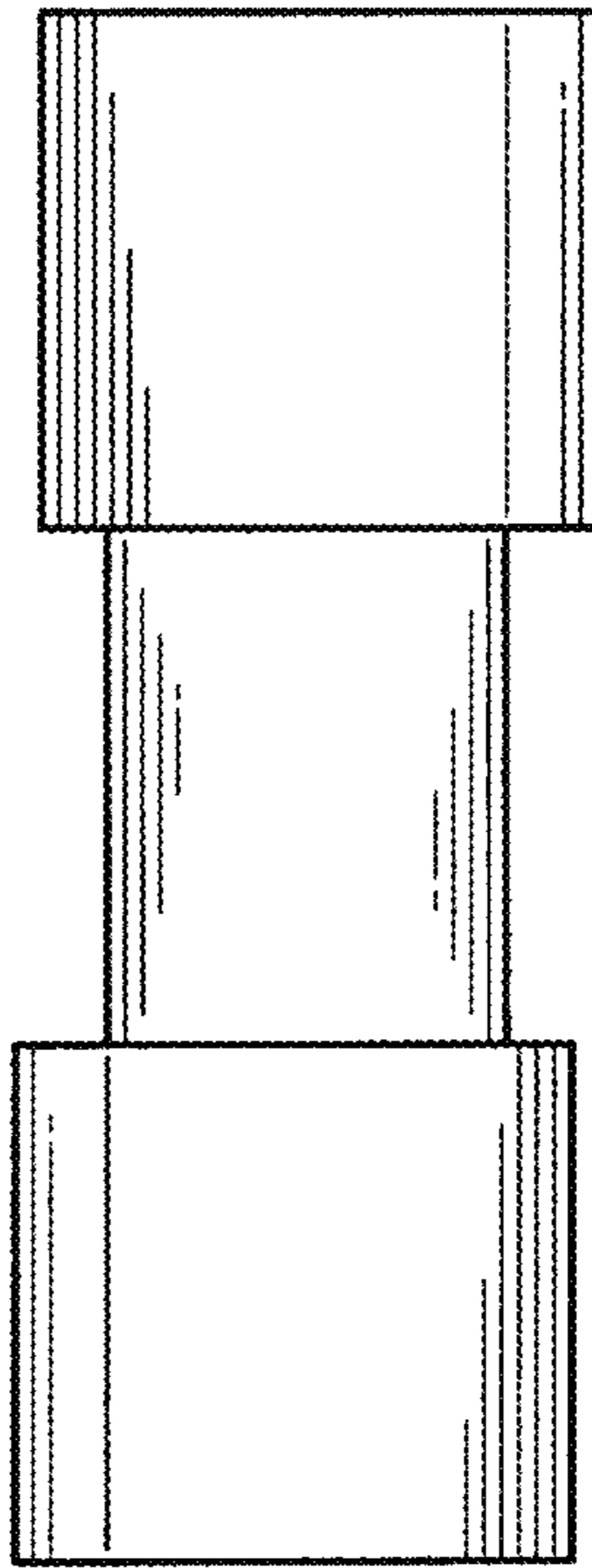


FIG. 5

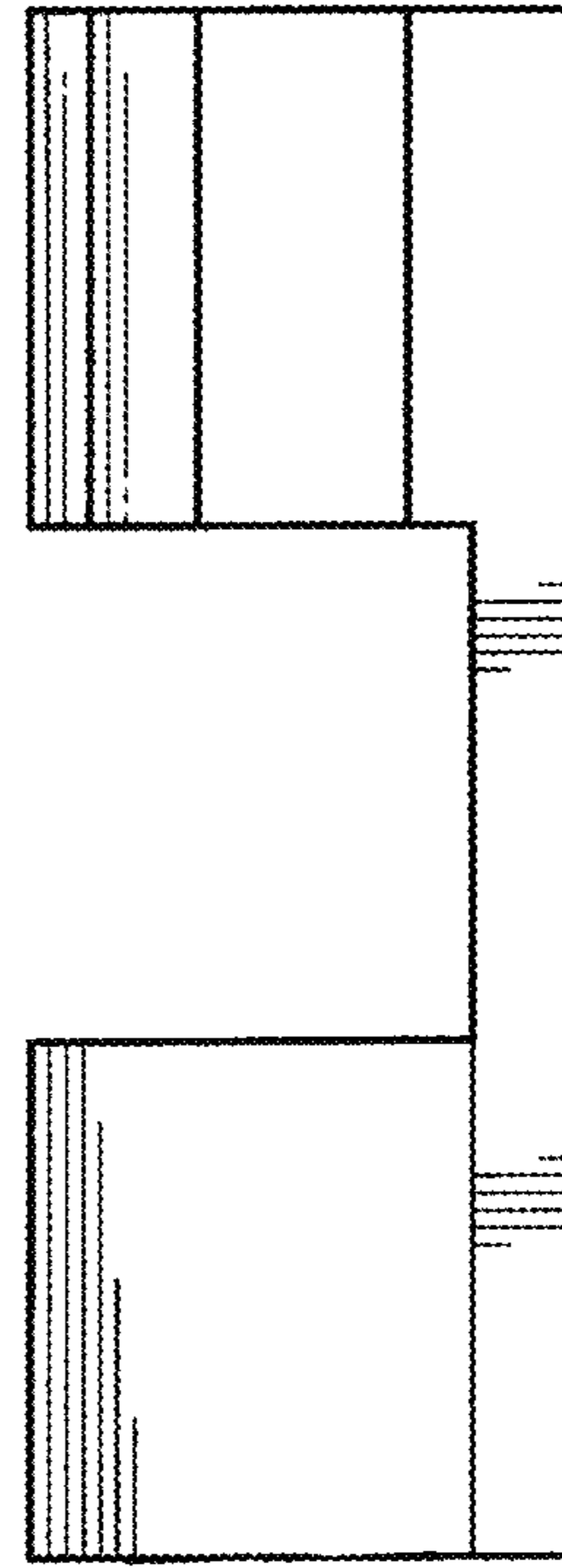


FIG. 6

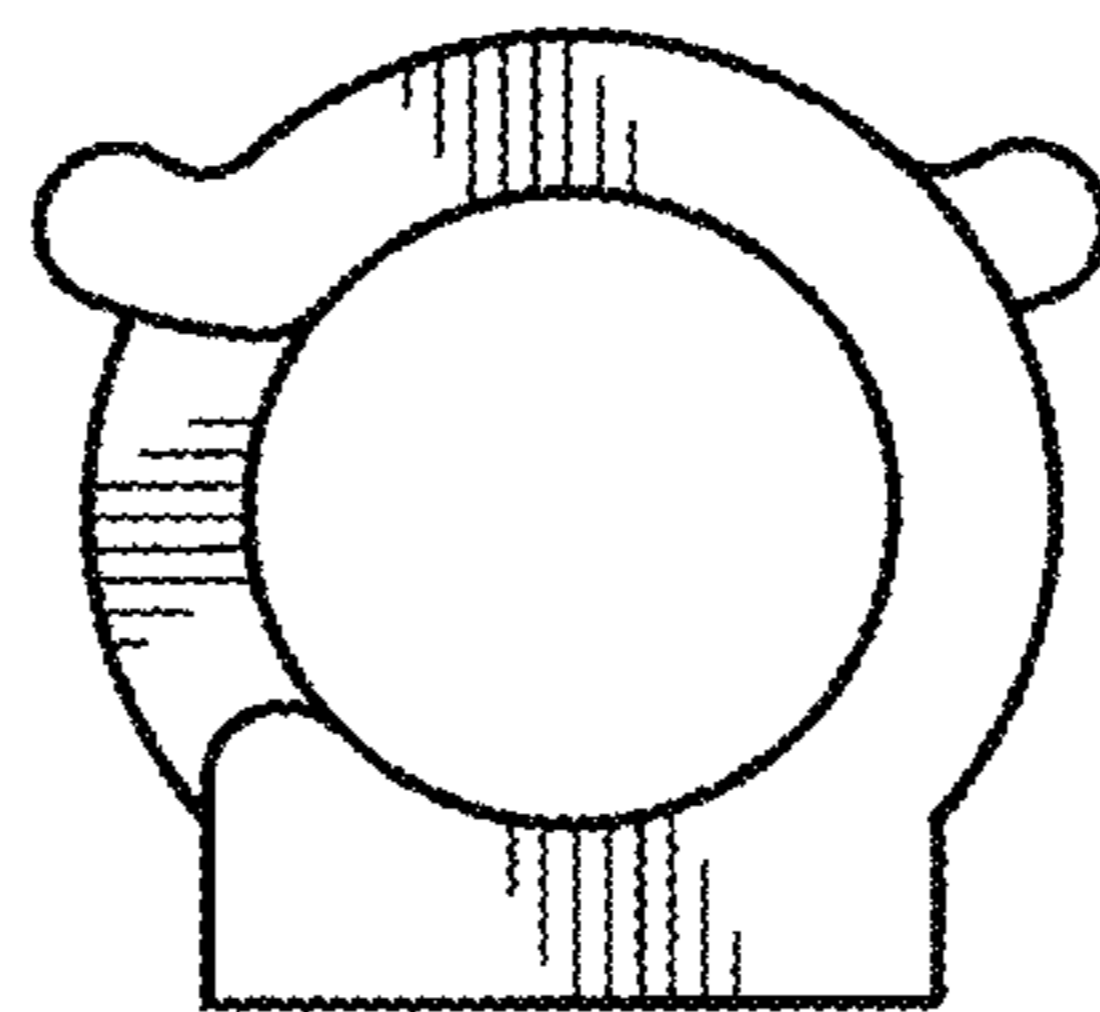


FIG. 7

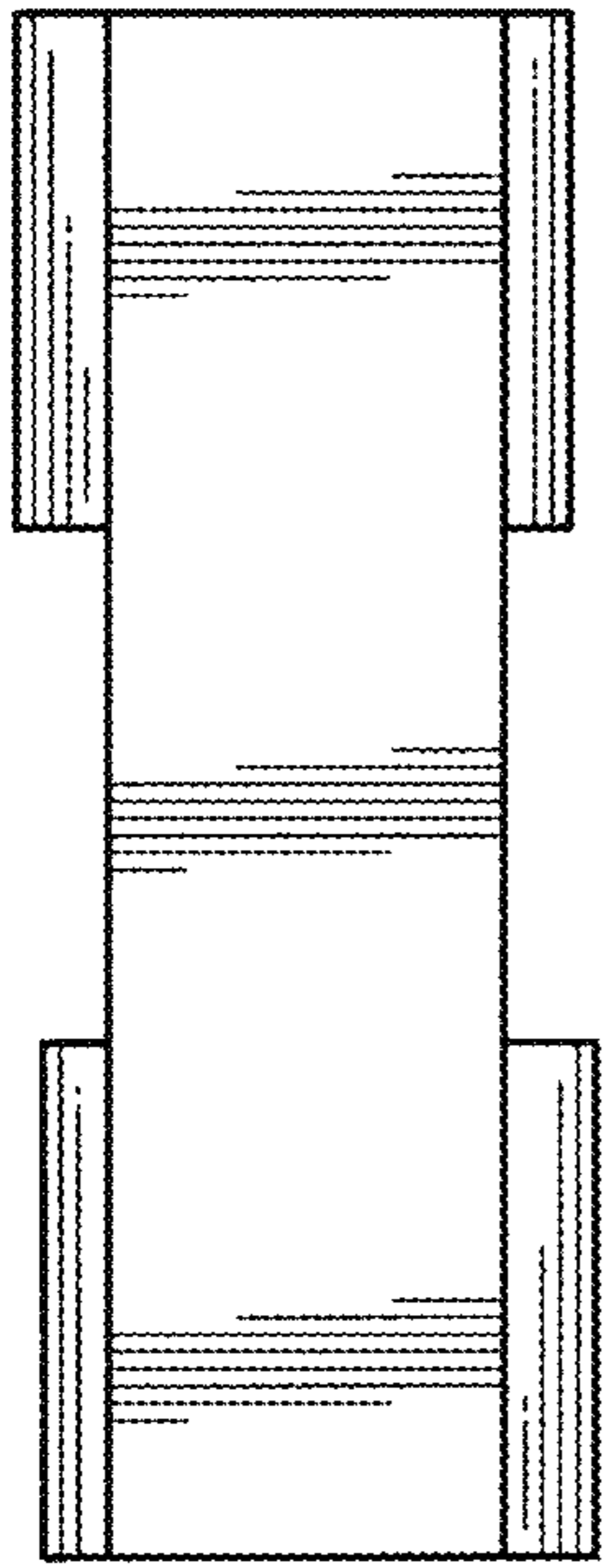


FIG. 8

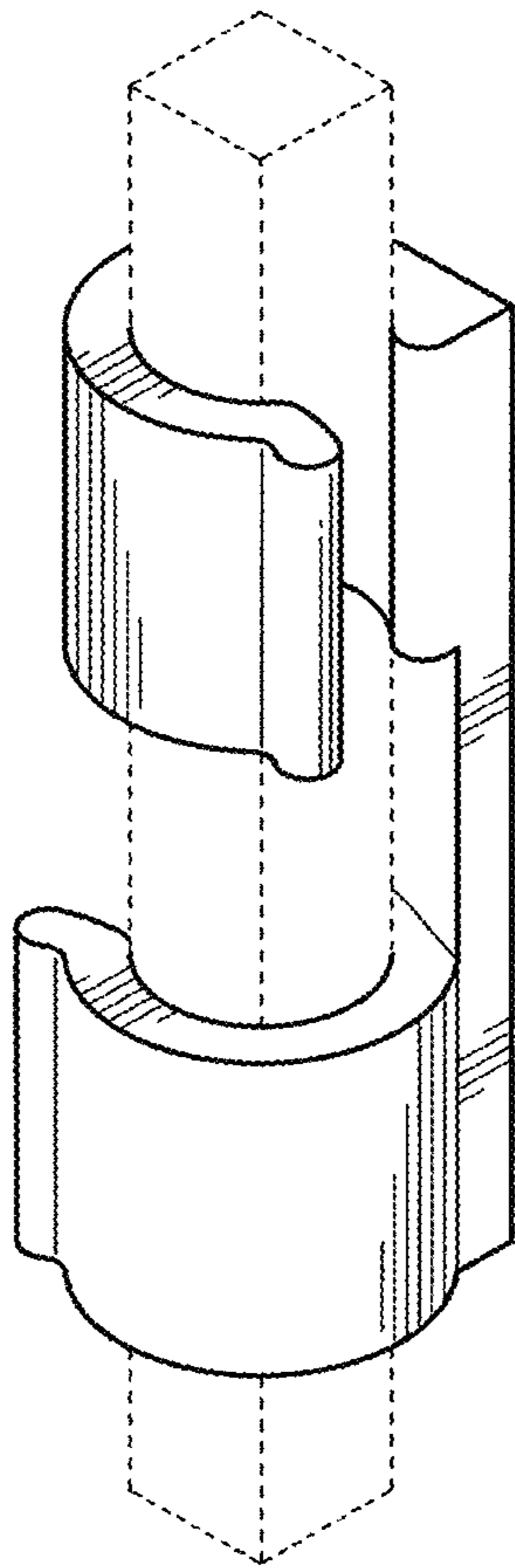


FIG. 9

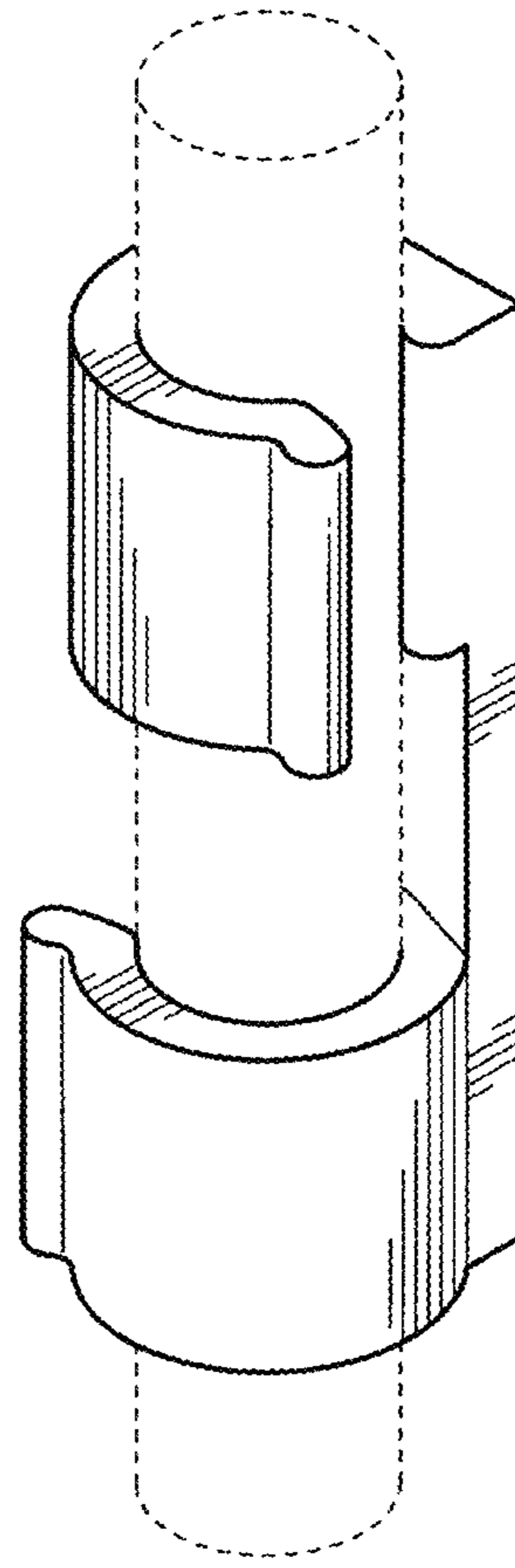


FIG. 10