



US00D796945S

(12) **United States Design Patent**
Stokeley

(10) **Patent No.:** **US D796,945 S**

(45) **Date of Patent:** **** Sep. 12, 2017**

(54) **CLIP**

(71) Applicant: **Bobby Lee Stokeley**, Brooklyn, NY
(US)

(72) Inventor: **Bobby Lee Stokeley**, Brooklyn, NY
(US)

(**) Term: **15 Years**

(21) Appl. No.: **29/554,599**

(22) Filed: **Feb. 12, 2016**

(51) **LOC (10) Cl.** **08-08**

(52) **U.S. Cl.**
USPC **D8/395**

(58) **Field of Classification Search**
USPC D30/161-162, 199; D8/394-396, 367;
D11/24, 9, 78.1, 40; D19/65
CPC B65D 33/16; B42F 9/001; D06F 55/00
See application file for complete search history.

(56) **References Cited**

U.S. PATENT DOCUMENTS

D302,568 S *	8/1989	Berger	D19/65
D306,876 S *	3/1990	Greenhut	D19/65
5,079,808 A *	1/1992	Brown	B42F 1/02 24/499
D335,078 S *	4/1993	Hampshire	D32/64
5,524,309 A *	6/1996	La Barbera	E04H 15/62 135/118
D375,976 S *	11/1996	Marguerie	D19/65
D406,168 S *	2/1999	Wolff	D19/65
D406,171 S *	2/1999	Wolff	D19/65
D438,253 S *	2/2001	Korowitz	D19/78
D454,056 S *	3/2002	Kung	D19/65
D477,364 S *	7/2003	Tsai	D19/65
D493,487 S *	7/2004	Nuttall	D19/65
D529,375 S *	10/2006	Cetera	D8/395
D552,461 S *	10/2007	Oas	D6/326
D593,609 S *	6/2009	Blau	D19/65
D697,395 S *	1/2014	Adams	D8/387

D740,111 S *	10/2015	Espinoza	D8/395
D751,890 S *	3/2016	Dubble	D8/395
D755,620 S *	5/2016	Li	D8/395
D758,839 S *	6/2016	Kaalberg	D8/395

FOREIGN PATENT DOCUMENTS

CN	302008193	*	7/2012
CN	302658594	*	11/2013

OTHER PUBLICATIONS

Plastic Clip,China Wholesale Plastic Clip, site update Dec. 30, 2016, <http://www.oempromo.com/product/Clips/P/Plastic-Clip-172165.htm>, [site visited Jan. 5, 2017 8:57:08 PM].*
Unique Bargains Home Plastic Oval Shaped Towel Socks Clothes Clips, website 2017, <https://www.walmart.com/ip/Home-Plastic-Oval-Shaped-Towel-Socks-Clothes-Clips-Pegs-Clothespins-10-Pcs/48508331>, [site visited Jan. 5, 2017 8:53:22 PM].*

* cited by examiner

Primary Examiner — John Windmuller

Assistant Examiner — John R Yeh

(74) *Attorney, Agent, or Firm* — Dunlap Bennett & Ludwig PLLC

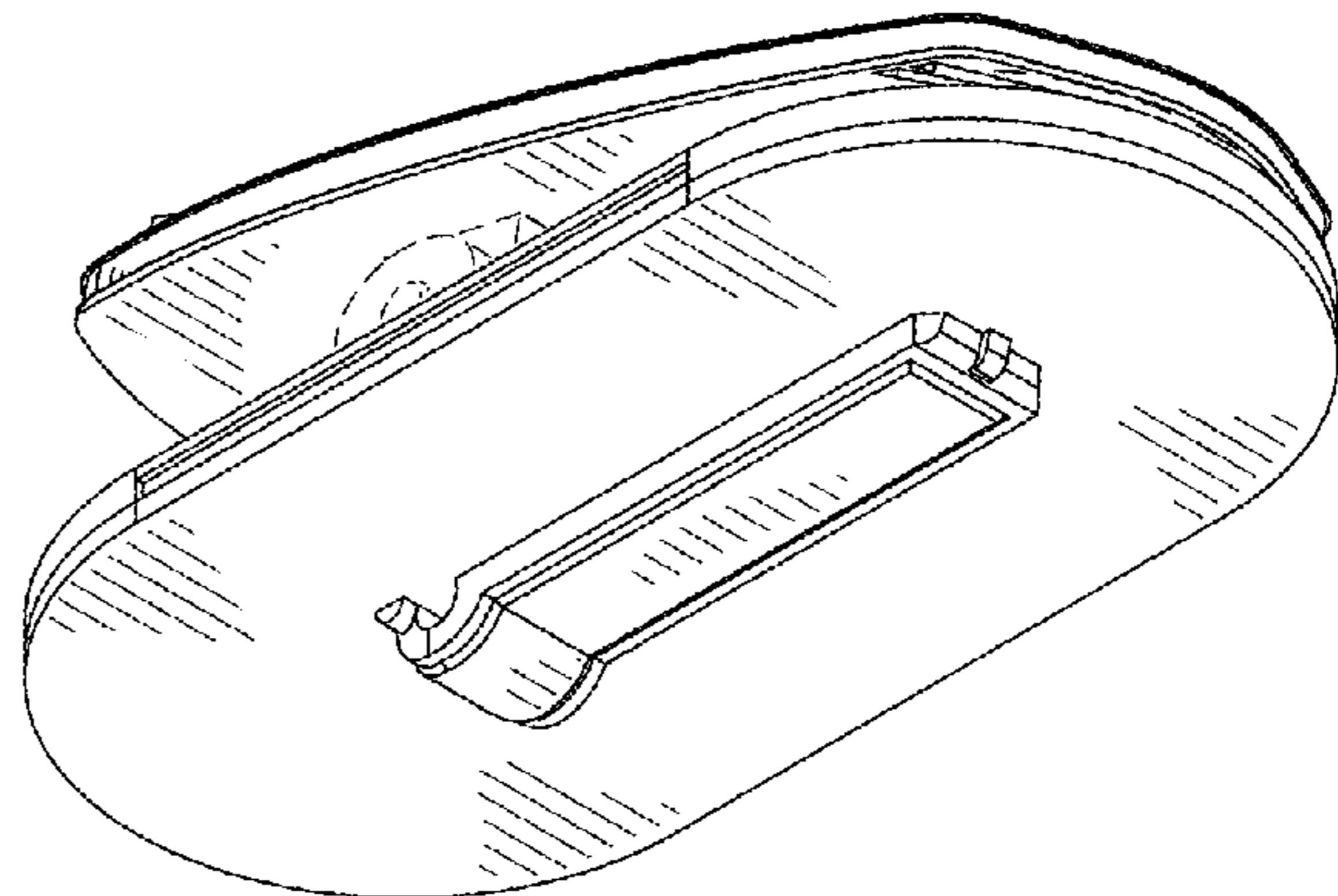
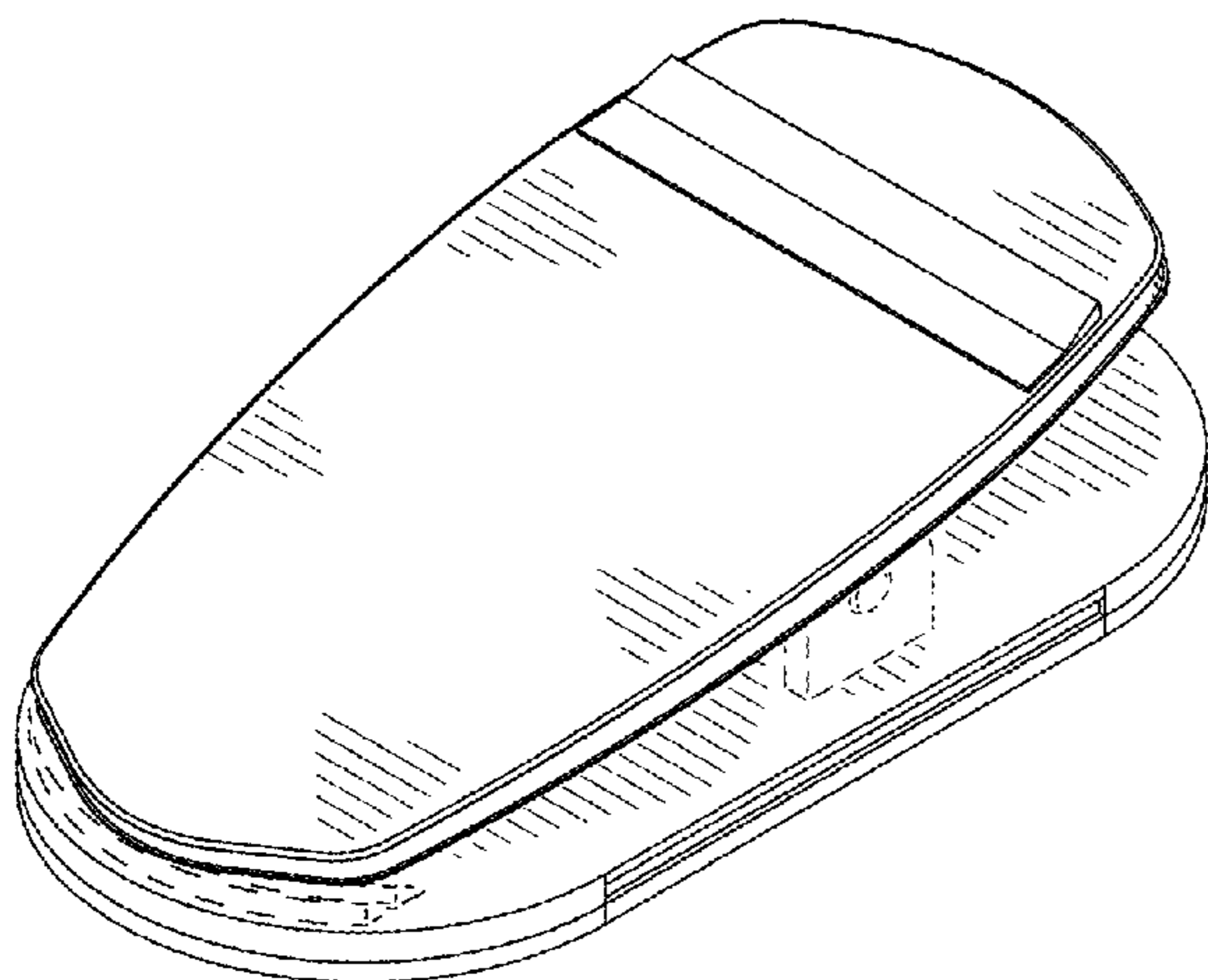
(57) **CLAIM**

The ornamental design for a clip, as shown and described.

DESCRIPTION

FIG. 1 is a top front perspective view of a clip;
FIG. 2 is a bottom front perspective view of FIG. 1;
FIG. 3 is a front elevation view of FIG. 1;
FIG. 4 is a rear elevation view of FIG. 1;
FIG. 5 is a left side elevation view of FIG. 1, the right side elevation view being a mirror image thereof;
FIG. 6 is a top plan view of FIG. 1; and,
FIG. 7 is a bottom plan view of FIG. 1.
The broken lines shown in the drawings depict portions of the clip that form no part of the claimed design.

1 Claim, 3 Drawing Sheets



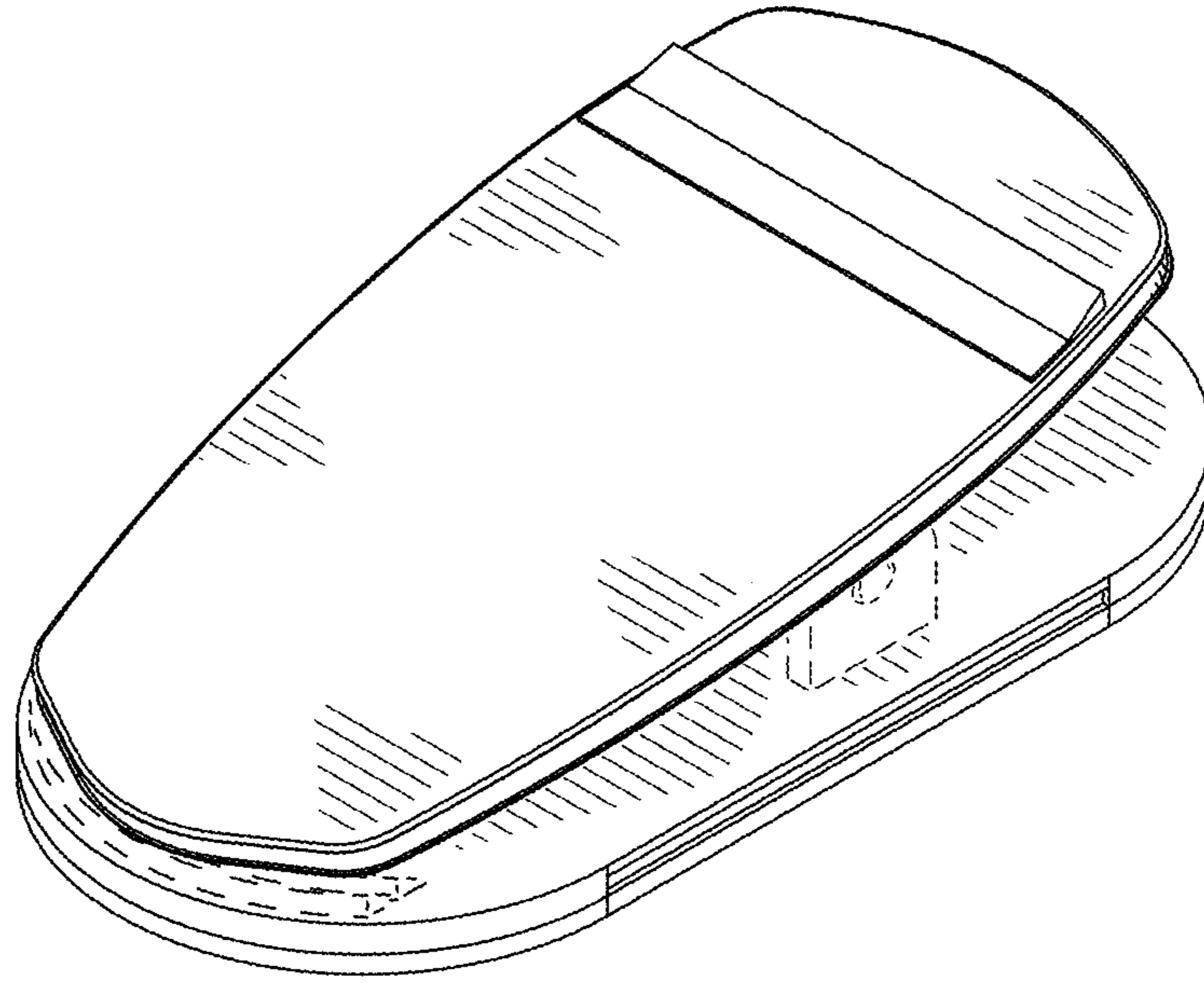


FIG. 1

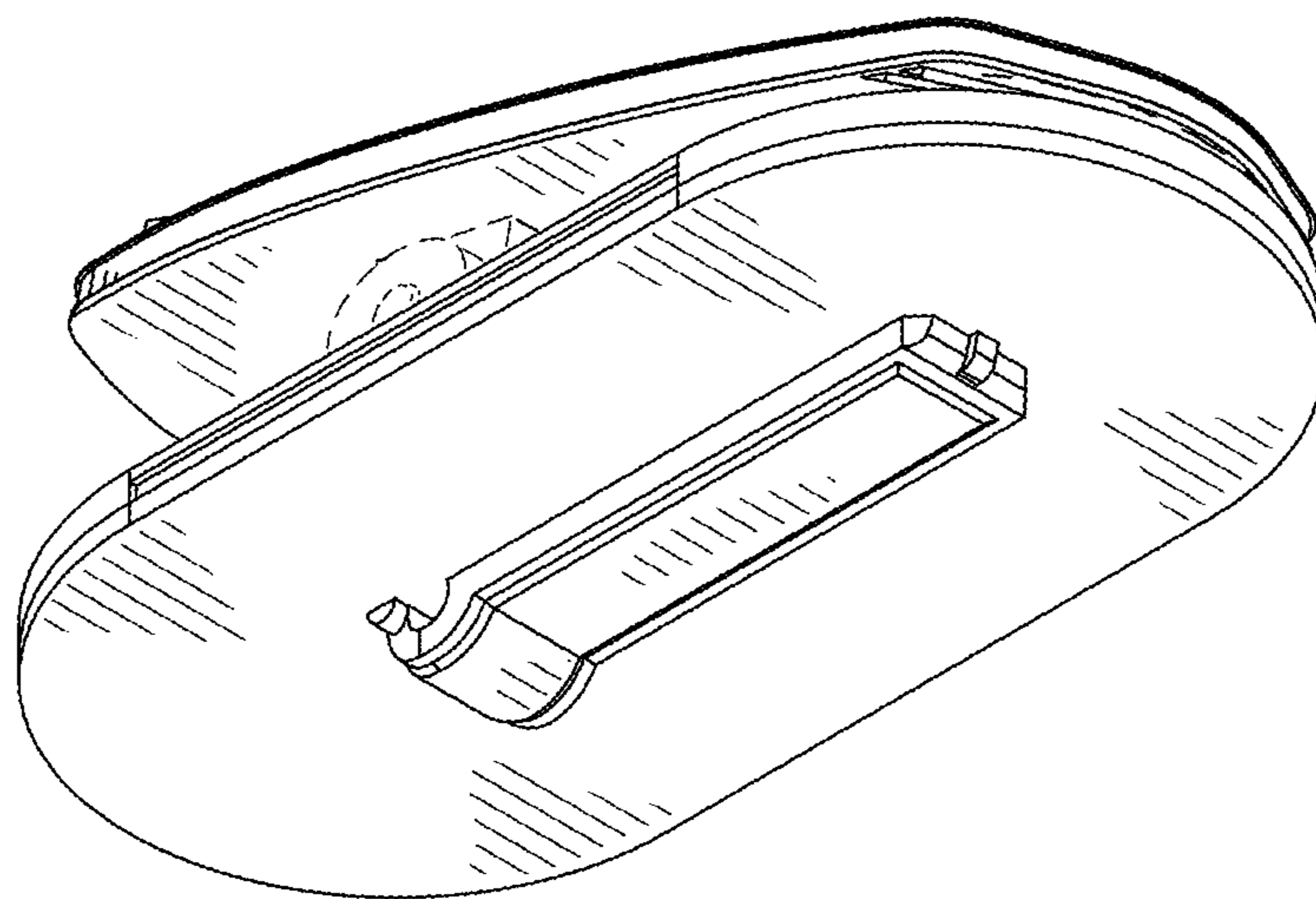


FIG. 2

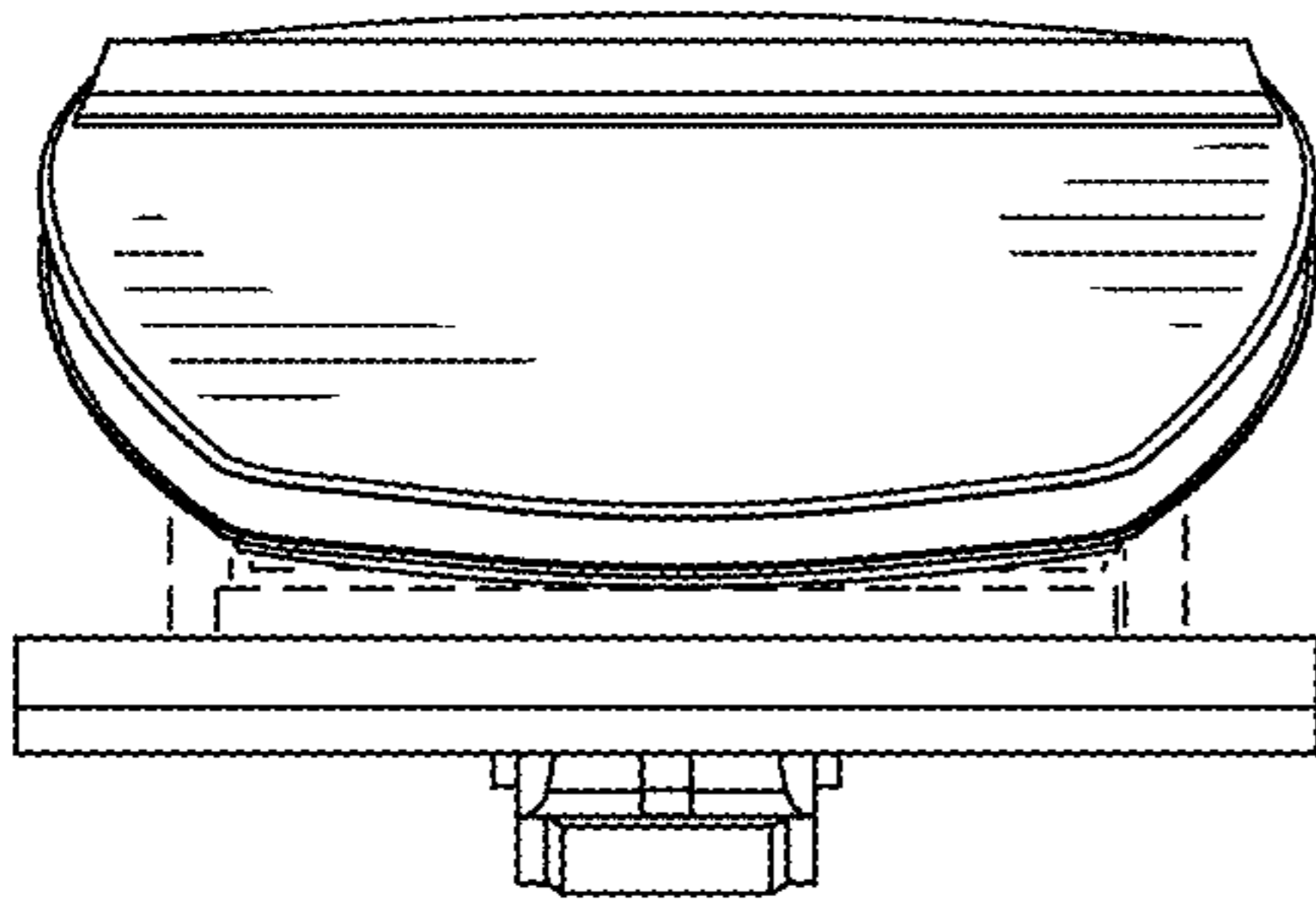


FIG. 3

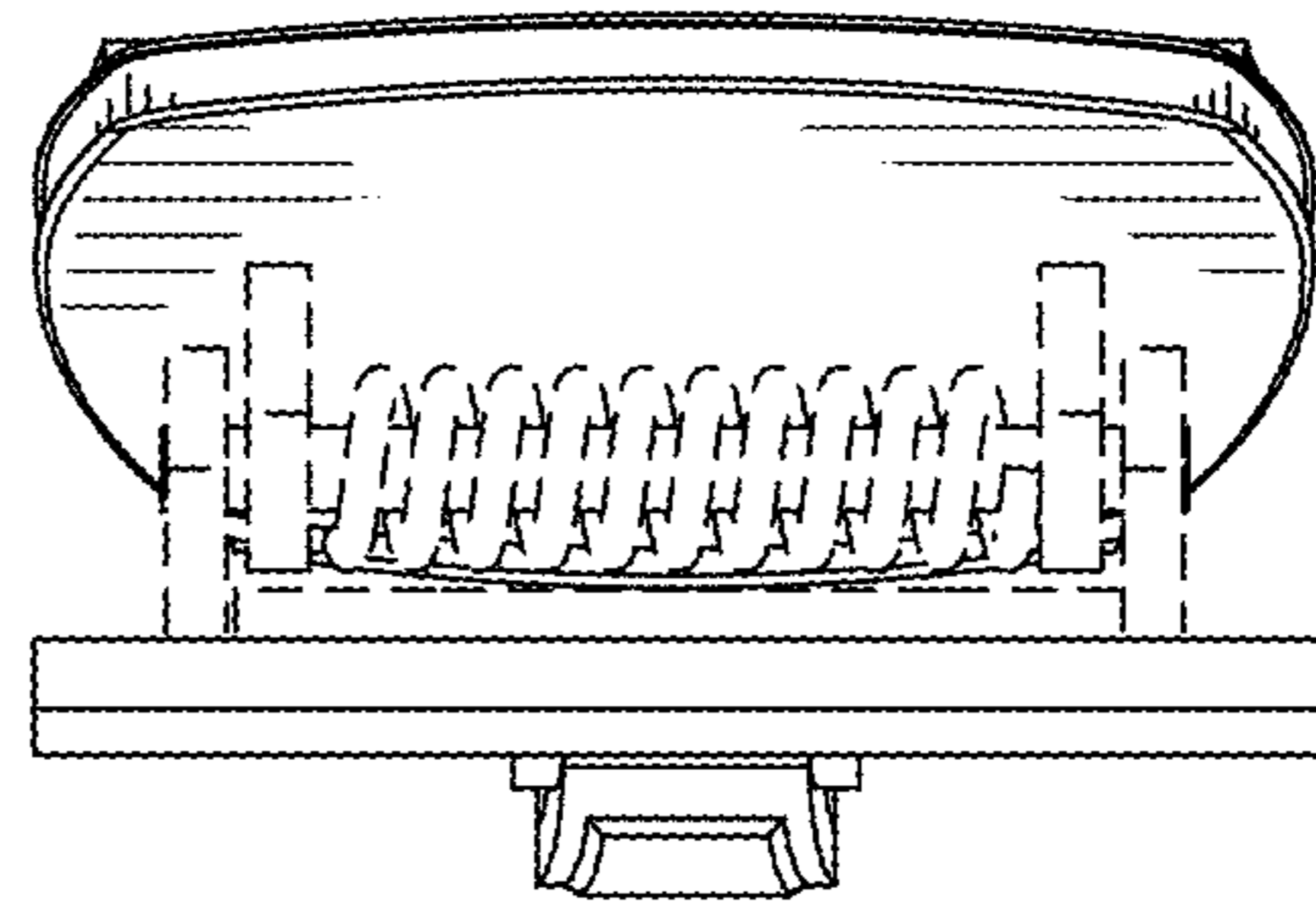


FIG. 4

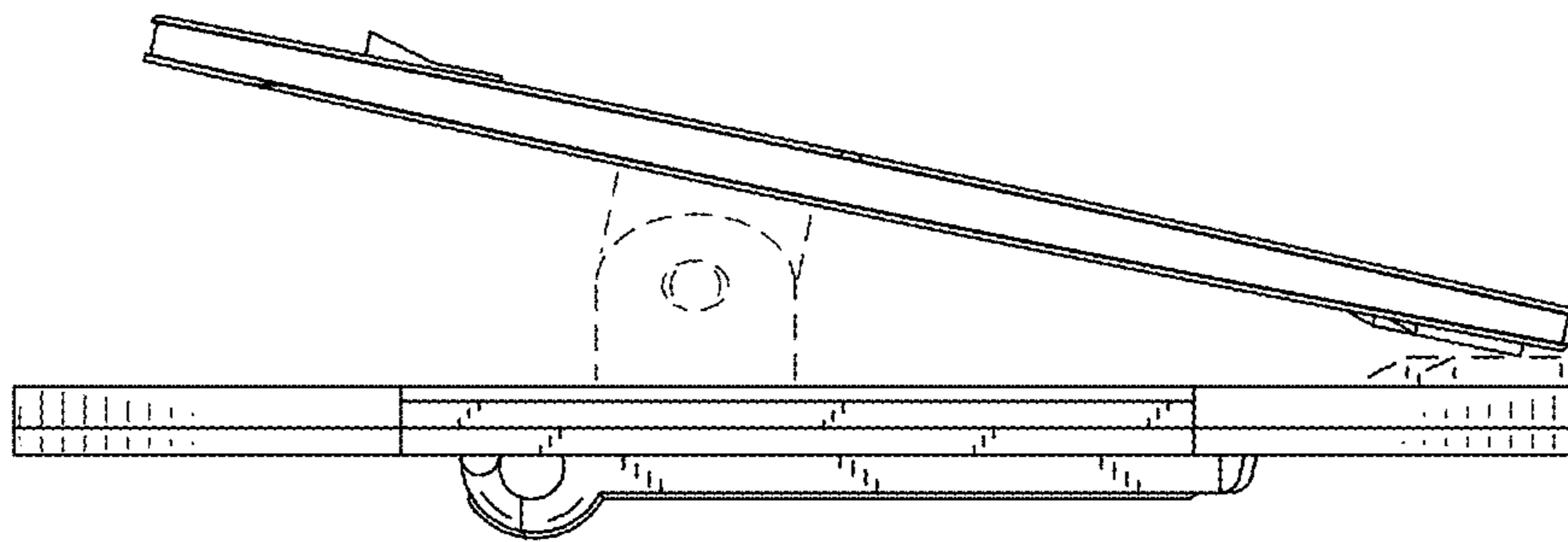


FIG. 5

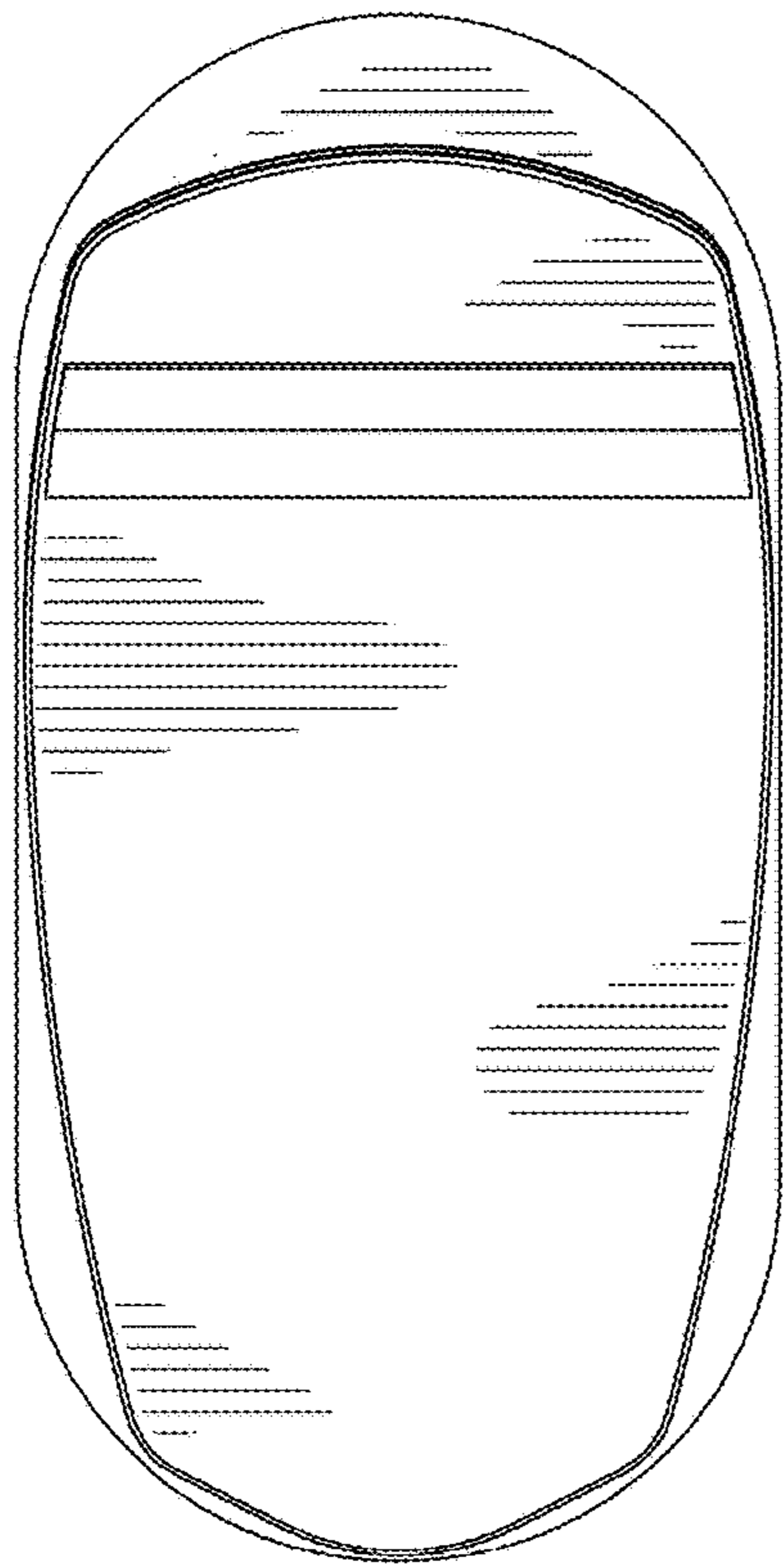


FIG. 6

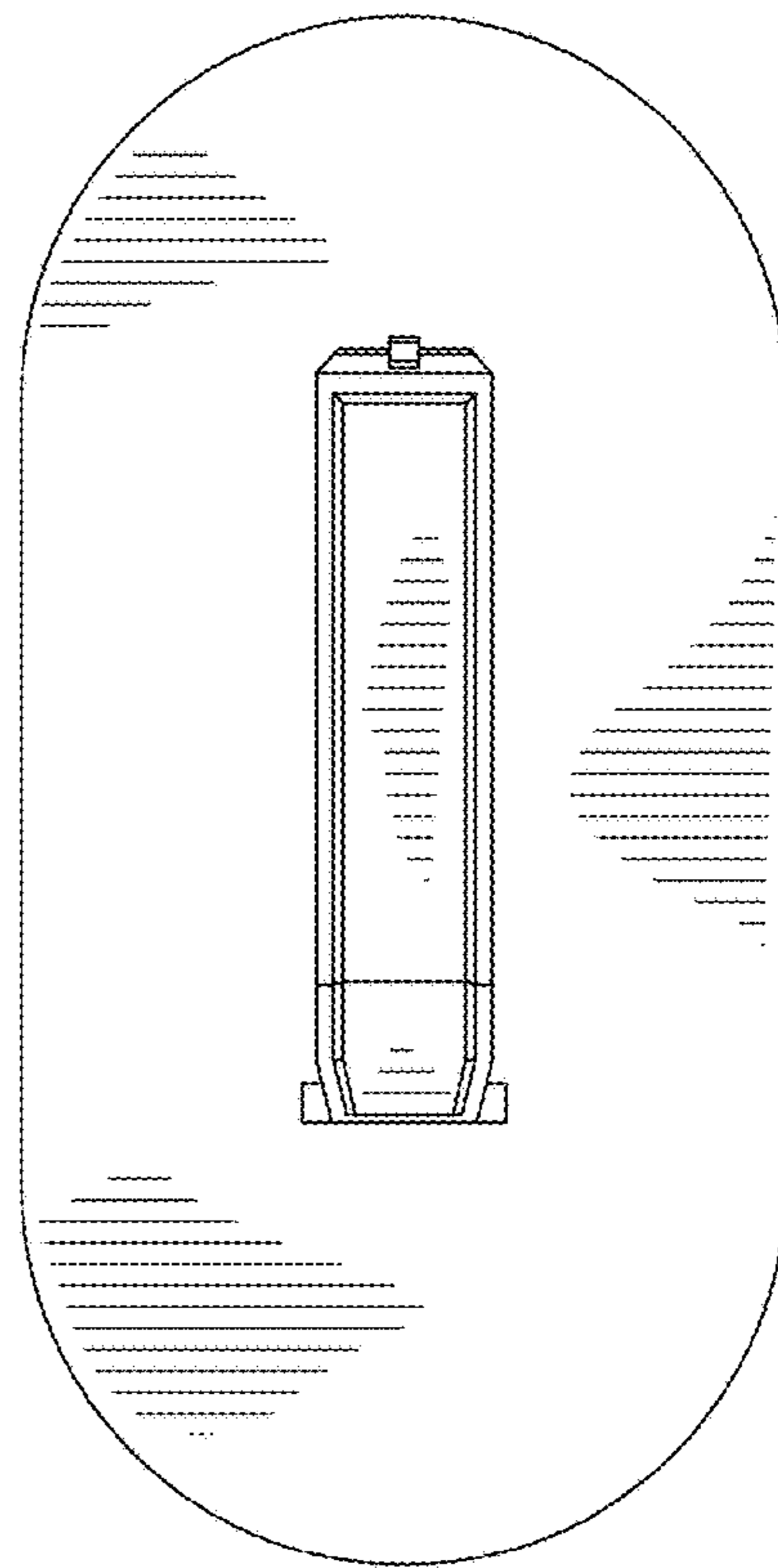


FIG. 7