



US00D796944S

(12) **United States Design Patent** (10) **Patent No.:** **US D796,944 S**
Davis et al. (45) **Date of Patent:** **** Sep. 12, 2017**

(54) **TOWEL CLIP**
(71) Applicants: **Kelly Davis**, Broken Arrow, OK (US);
Ryan Davis, Broken Arrow, OK (US)
(72) Inventors: **Kelly Davis**, Broken Arrow, OK (US);
Ryan Davis, Broken Arrow, OK (US)
(**) Term: **15 Years**
(21) Appl. No.: **29/572,205**
(22) Filed: **Jul. 26, 2016**
(51) **LOC (10) Cl.** **08-08**
(52) **U.S. Cl.**
USPC **D8/394**
(58) **Field of Classification Search**
USPC D8/363, 354, 373, 381, 394-396, 39,
D8/367, 61; D6/405, 325-326, 556, 513;
D24/152, 176, 228
CPC .. F16C 1/26; B66B 7/02; B65G 21/20; A47G
25/06; A47G 25/0607; A47J 47/16; F16B
45/00; F16B 43/009; A47K 10/04; D06F
55/00
See application file for complete search history.

(56) **References Cited**
U.S. PATENT DOCUMENTS
303,297 A 8/1884 Langford
430,903 A * 6/1890 Weil B29C 45/00
24/351
757,944 A * 4/1904 Meyercord B42F 1/08
24/351
767,123 A * 8/1904 Quinn A47G 25/0607
211/106.01

(Continued)
FOREIGN PATENT DOCUMENTS
FR 20145649-001 * 5/2015
GB 2493769 2/2013

OTHER PUBLICATIONS
Achla Designs TSH-16 S-Hook, website 2017, [site visited May 24,
2017 9:08:30 PM], [https://www.themine.com/...](https://www.themine.com/)

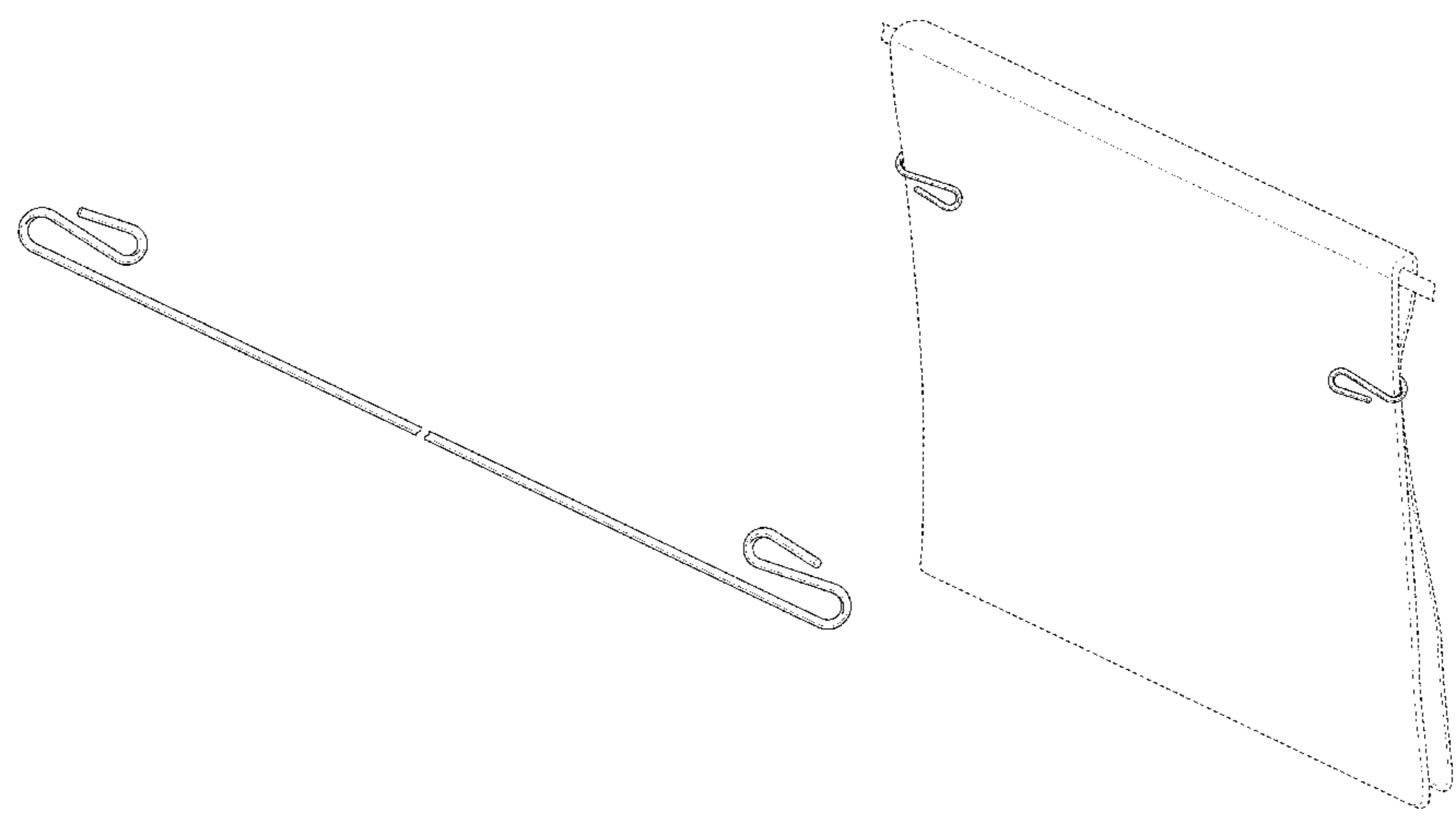
KEAjw3pTJBRChgZ3e7s_YhAkSJAASG9VrvE9jfjAedDvv4Z-
92AEhN1MhCKfeR5qvX7VNgl29XthoCkp_w_wcB&ef_
id=WP-RpwAAAJLJAcRS:20170525010734:s.*
(Continued)

Primary Examiner — John Windmuller
Assistant Examiner — John R Yeh
(74) *Attorney, Agent, or Firm* — Head, Johnson,
Kachigian & Wilkinson, PC

(57) **CLAIM**
The ornamental design for a towel clip, as shown and
described.

DESCRIPTION
FIG. 1 is a perspective view of the towel clip;
FIG. 2 is front view of the towel clip;
FIG. 3 is a back view of the towel clip;
FIG. 4 is a left side view of the towel clip, where the right
side is a mirror image of the left side;
FIG. 5 is top view of the towel clip, where the bottom view
is a mirror image of the top view;
FIG. 6 is a front perspective view of the towel clip in place
on a towel;
FIG. 7 is a back perspective view of the towel clip in place
on a towel
FIG. 8 is a front perspective view of the towel clip with a
decorative component;
FIG. 9 is a back perspective view of the towel clip with a
decorative component, where the decorative component is
attached to the towel clip via a hook; and,
FIG. 10 is a back perspective view of the towel clip with a
decorative component, where the decorative component is
attached to the towel clip via a bracket.
The towel, decorative component, hook, and bracket shown
in dashed lines are shown for illustrative purposes only and
form no part of the claimed design. The towel clip is shown
with a separation to indicate that no specific length other
than what is shown is claimed.

1 Claim, 8 Drawing Sheets



(56)

References Cited

U.S. PATENT DOCUMENTS

772,887 A * 10/1904 Johnson A44B 9/02
24/355
815,060 A * 3/1906 Beebe A47G 25/0692
211/123
1,497,710 A * 6/1924 Cole B60C 27/08
224/269
D176,517 S * 1/1956 Howard D32/54
D211,199 S * 5/1968 Serle D8/367
5,497,636 A * 3/1996 Felcher A44C 5/209
24/370
D374,345 S * 10/1996 Ostrosky D3/221
5,603,545 A * 2/1997 Benson A45F 3/14
224/250
D383,632 S * 9/1997 Goodman D6/549
D392,141 S * 3/1998 Cavanaugh D20/41
D434,308 S * 11/2000 Kalat D8/395
6,149,234 A 11/2000 Daniels
6,575,533 B1 6/2003 Kicos
D554,980 S * 11/2007 Mihelis D8/356
D556,562 S 12/2007 Seifert et al.
D560,473 S * 1/2008 Wolfe, Jr. D8/367
D661,574 S * 6/2012 Platt D8/367
8,448,908 B2 * 5/2013 Taurins A47G 25/06
211/105.1
8,479,931 B1 * 7/2013 Richards A47H 1/022
211/105.2
D703,815 S * 4/2014 Bolia D24/133
8,881,350 B2 11/2014 Pellei
9,045,266 B1 6/2015 Mitchell

D742,727 S * 11/2015 Martin D8/367
D762,107 S * 7/2016 French D8/367
D784,727 S * 4/2017 Goodman D6/513
2007/0050951 A1 3/2007 Simmons
2007/0095996 A1 * 5/2007 Selders A45B 3/06
248/304
2008/0121598 A1 5/2008 Brinson
2009/0100646 A1 * 4/2009 Wang F16B 45/00
24/265 H
2013/0236733 A1 9/2013 Craig
2015/0020352 A1 1/2015 Fungler

OTHER PUBLICATIONS

Amazon.com: Non Slip Sock Hanger Clip, website 2017, https://www.amazon.com/Non-Slip-Sock-Hanger-Clip/dp/B01N2K9L80/ref=sr_1_89?ie=. . ., site visited May 29, 2017.*
Amazon.com: Outus 20 Pack Heavy-duty S Shaped Hooks, reviews 2017, https://www.amazon.com/Outus-Heavy-duty-Kitchenware-Utensils-Gardening/dp/B06XR6KWRX/ref=sr_1_305?ie=UTF8&qid=1495673811&sr=8-305-spons&keywords=towel+clip&psc=1, [site visited May 24, 2017 8:58:24 PM].*
Radha Rani Enterprise | ID, Products—wire connecting clip, website 2017, <http://www.exportersindia.com/radha-rani-enterprise/wire-connecting-clip-2745209.htm>, [site visited May 24, 2017 9:02:50 PM].*
9" / 13" / 18" Phal Hooks, website 2017, <https://www.repotme.com/orchid-supplies/Phal-Hooks.html>, [site visited May 24, 2017 9:04:32 PM].*

* cited by examiner

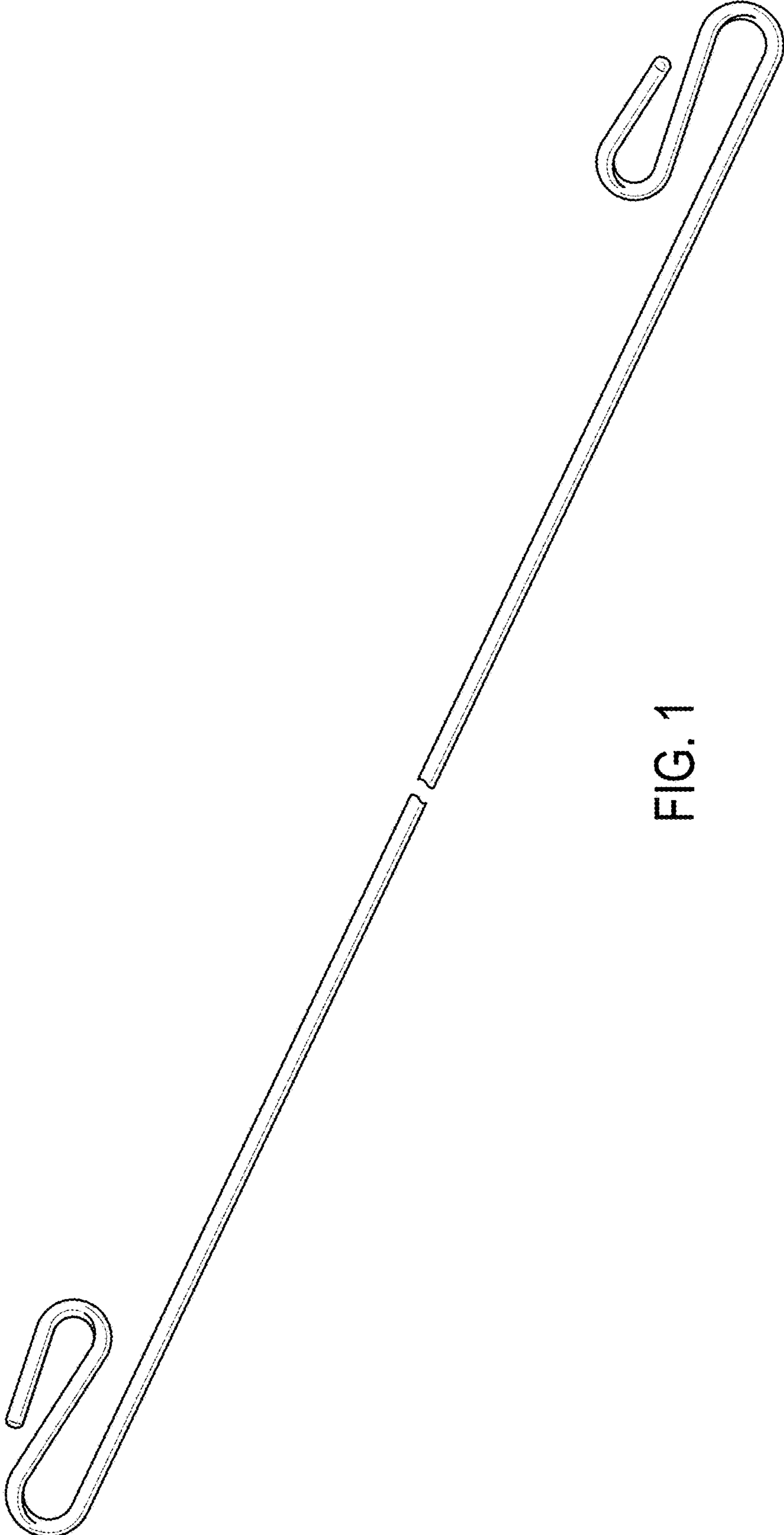


FIG. 1



FIG. 2



FIG. 3



FIG. 4



FIG. 5

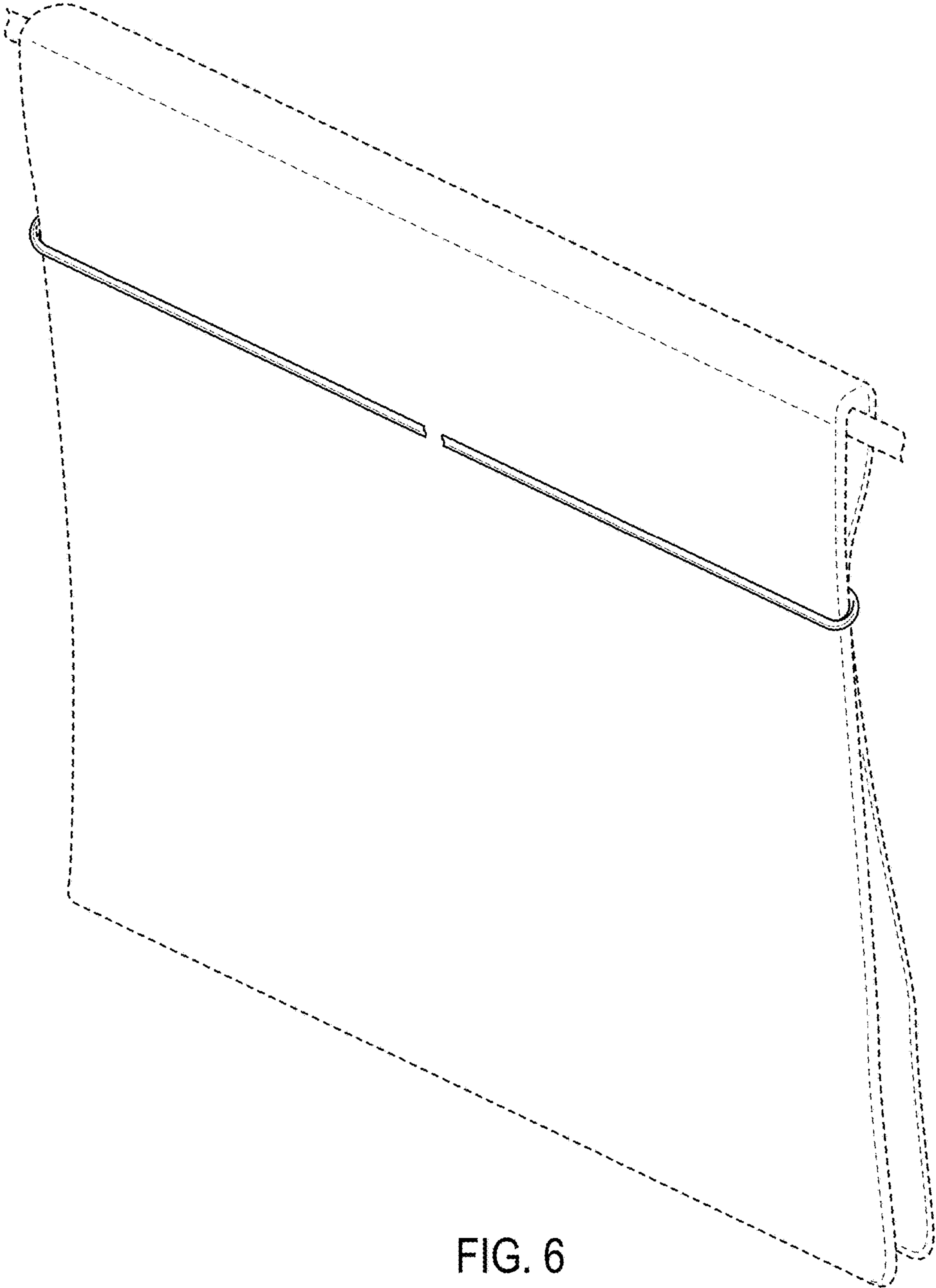


FIG. 6

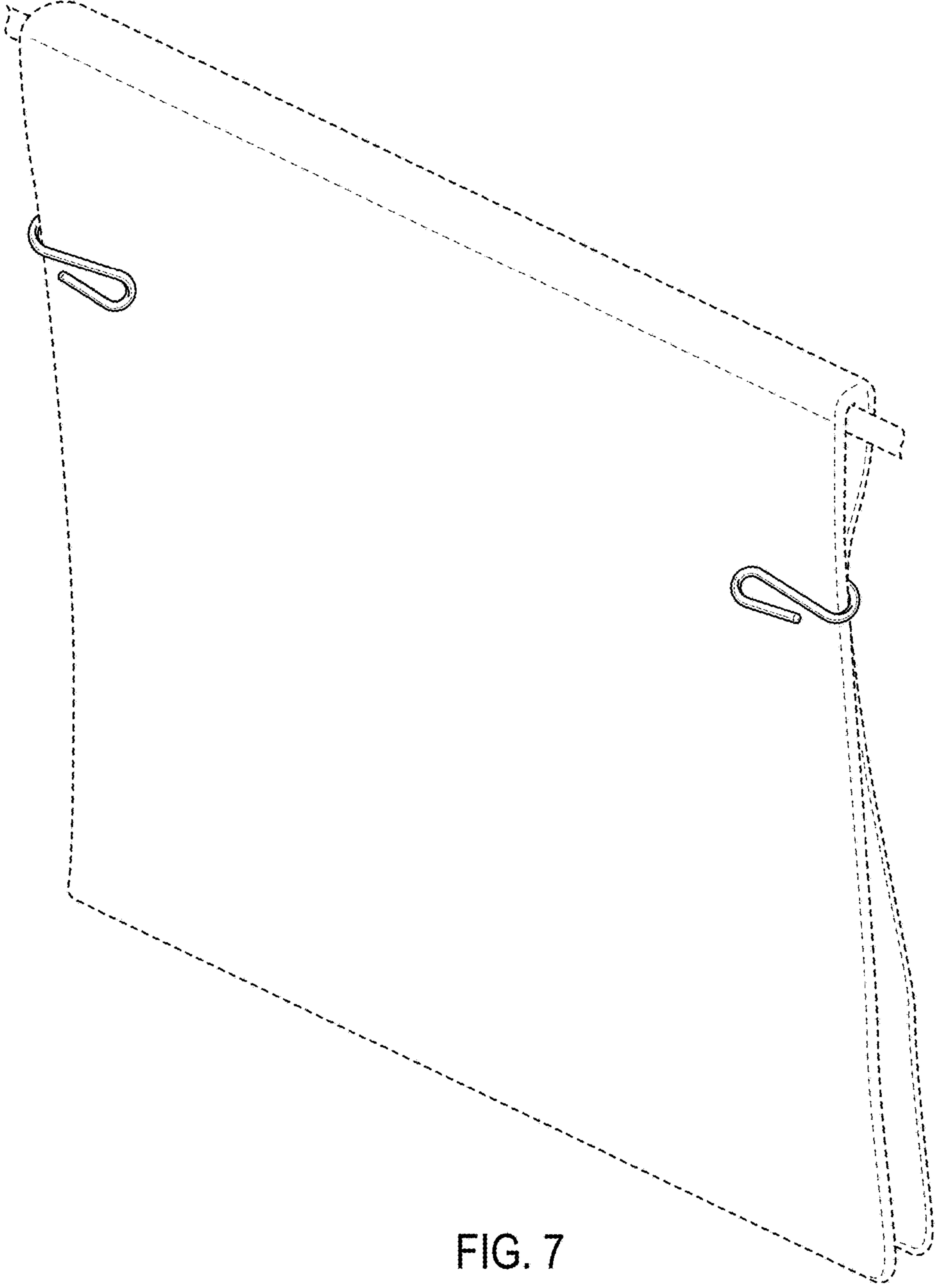


FIG. 7

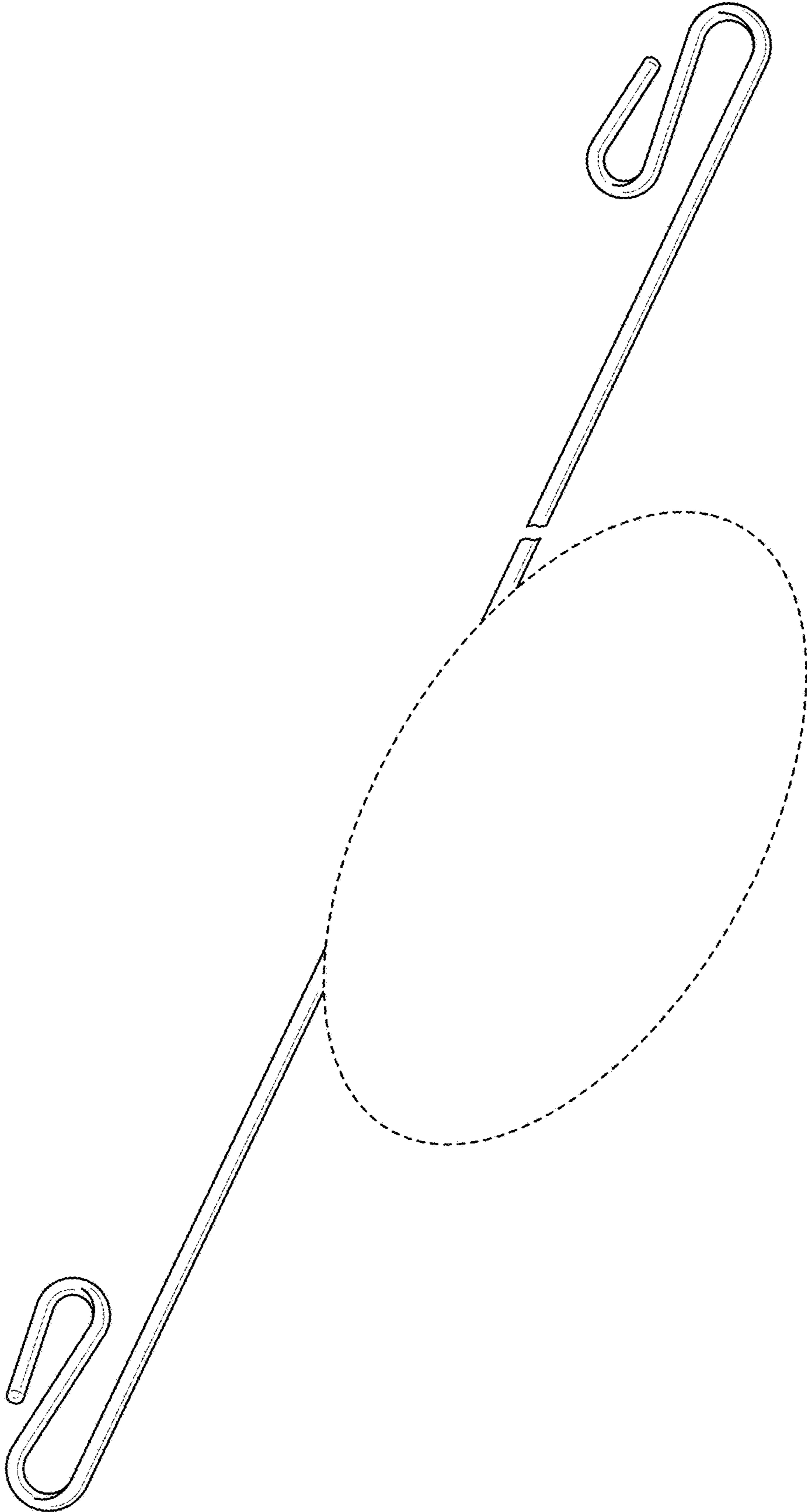


FIG. 8

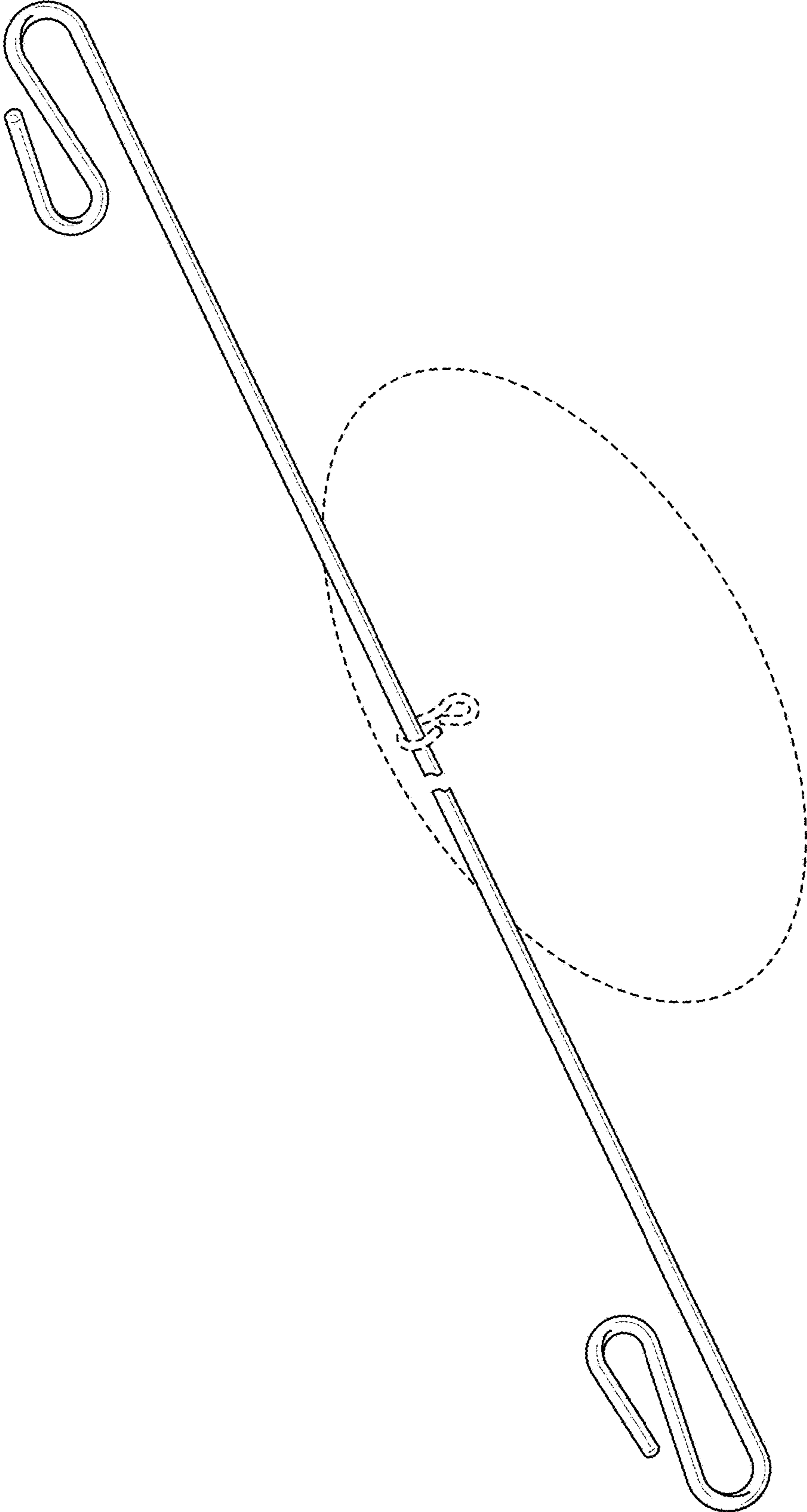


FIG. 9

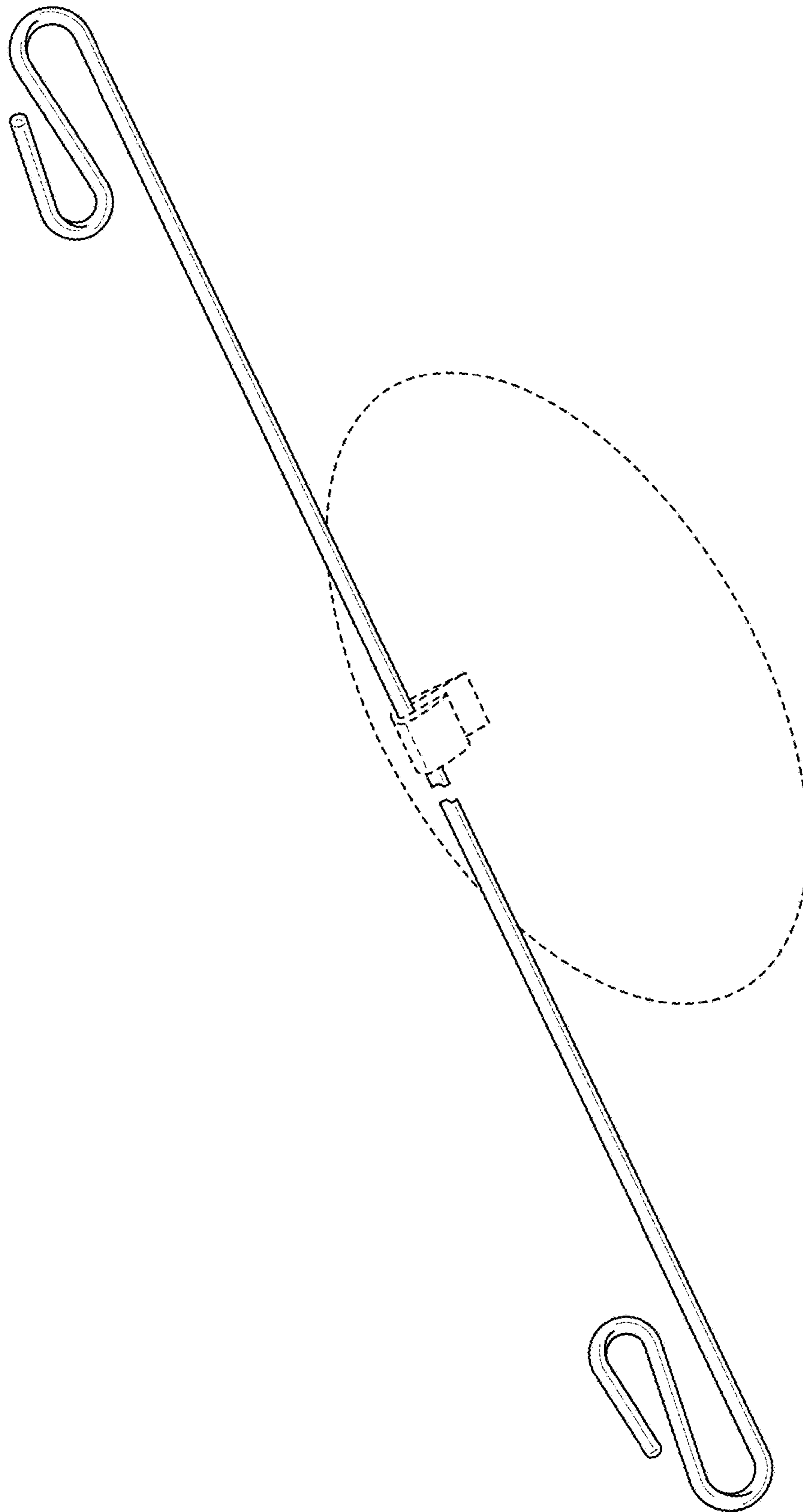


FIG. 10