

US00D796942S

(12) **United States Design Patent**
Uimonen

(10) **Patent No.:** **US D796,942 S**

(45) **Date of Patent:** **** Sep. 12, 2017**

(54) **UNIVERSAL FLEXIBLE MOUNTING STRAP**

(71) Applicant: **MOBILITY HOLDINGS, LIMITED,**
Hong Kong (CN)

(72) Inventor: **Joakim Uimonen,** Hong Kong (CN)

(73) Assignee: **Mobility Holdings, Limited,** Hong
Kong (CN)

(**) Term: **15 Years**

(21) Appl. No.: **29/552,106**

(22) Filed: **Jan. 20, 2016**

(51) **LOC (10) Cl.** **08-01**

(52) **U.S. Cl.**

USPC **D8/382;** D8/383; D8/396

(58) **Field of Classification Search**

USPC D8/14, 71, 106, 349, 354, 355, 382, 383,
D8/394, 396, 499; D12/111, 112, 117;
D14/432, 433, 471, 203.3, 217, 251, 299

CPC F16L 3/00; F16L 3/003; F16L 3/01; F16L
3/26; F16L 3/22; F16L 3/223; B62J
9/003; B62J 7/06; B62J 11/00; B62J
2099/0033; B62J 2700/00; B62K 19/40

See application file for complete search history.

(56) **References Cited**

U.S. PATENT DOCUMENTS

2,373,300 A * 4/1945 Ellinwood F16L 3/1233
174/40 CC
2,491,290 A * 12/1949 Tinnerman F16L 3/233
174/135
2,632,217 A * 3/1953 Flora F16L 3/233
24/16 PB
2,641,808 A * 6/1953 Tinnerman F16L 3/1236
24/18
3,054,585 A * 9/1962 Roberts F16L 3/233
24/16 PB
D234,246 S * 2/1975 Martini D8/395

D258,044 S * 1/1981 Kimball D8/356
4,441,677 A * 4/1984 Byerly F16L 3/1233
24/16 PB
4,501,354 A * 2/1985 Hoffman A47K 5/00
206/499
4,510,650 A * 4/1985 Espinoza F16L 3/233
24/16 PB
D380,144 S * 6/1997 Lew D8/380
6,732,982 B1 * 5/2004 Messinger F16L 3/1233
24/16 PB
9,062,801 B2 * 6/2015 Billarant F16L 3/1236
D771,413 S * 11/2016 Ng D6/580
2003/0106974 A1 * 6/2003 Guertin B62J 11/00
248/309.1
2006/0124679 A1 * 6/2006 Chen B62J 11/00
224/425
2012/0037764 A1 * 2/2012 Stephan F16L 3/00
248/65

(Continued)

Primary Examiner — Sandra Snapp

Assistant Examiner — Ieisha Price

(74) *Attorney, Agent, or Firm* — Muncy, Geissler, Olds &
Lowe, P.C.

(57)

CLAIM

The ornamental design for a universal flexible mounting
strap, as shown and described.

DESCRIPTION

FIG. 1 is a perspective view of a universal flexible mounting
strap showing my new design;

FIG. 2 is a front view of FIG. 1;

FIG. 3 is a rear view of FIG. 1;

FIG. 4 is a left view of FIG. 1;

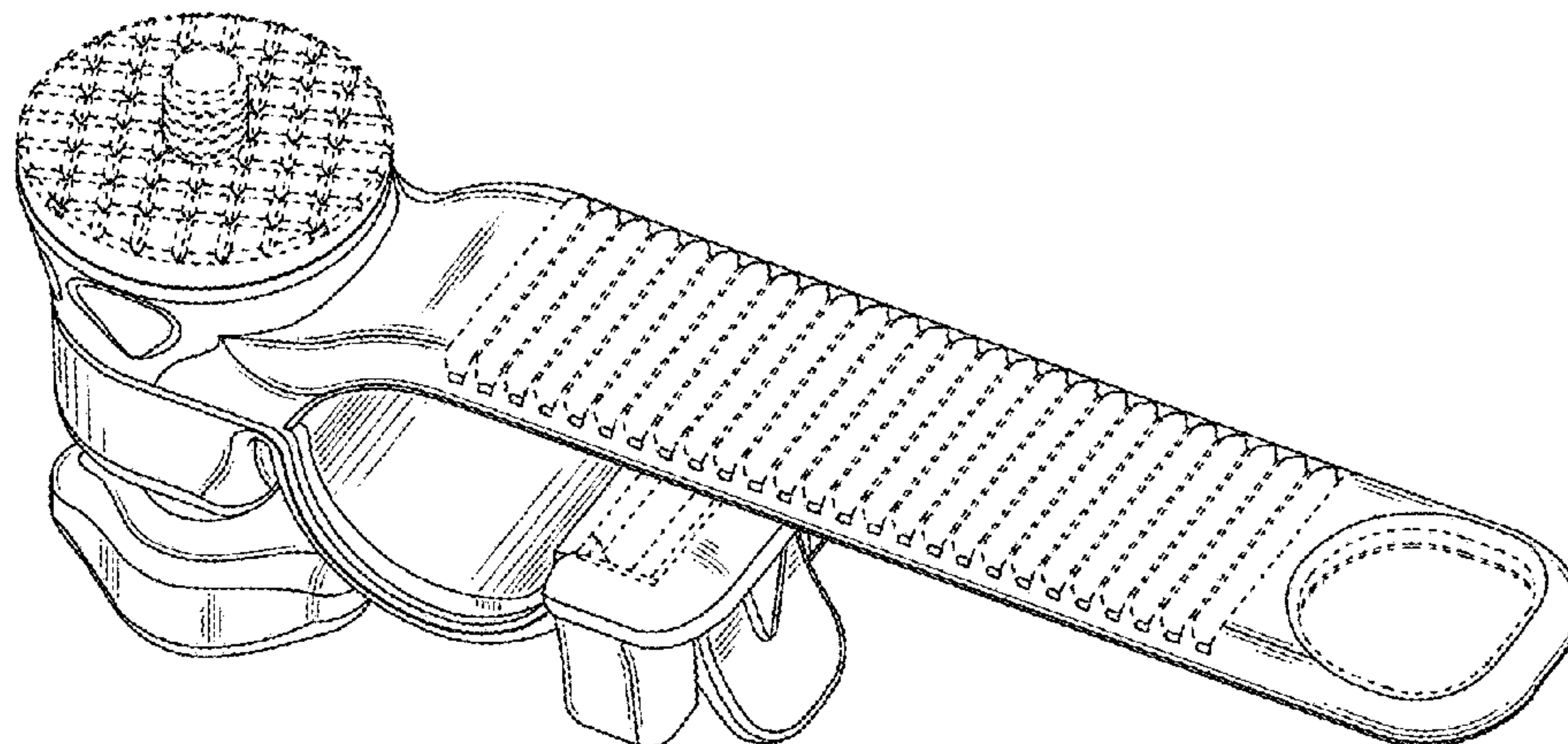
FIG. 5 is a right view of FIG. 1;

FIG. 6 is a top view of FIG. 1; and,

FIG. 7 is a bottom view of FIG. 1.

The broken lines in the drawings illustrate portions of the
universal flexible mounting strap and form no part of the
claimed design.

1 Claim, 5 Drawing Sheets



(56)

References Cited

U.S. PATENT DOCUMENTS

2013/0047384 A1* 2/2013 Carnevali B65D 63/1063
24/265 CD

* cited by examiner

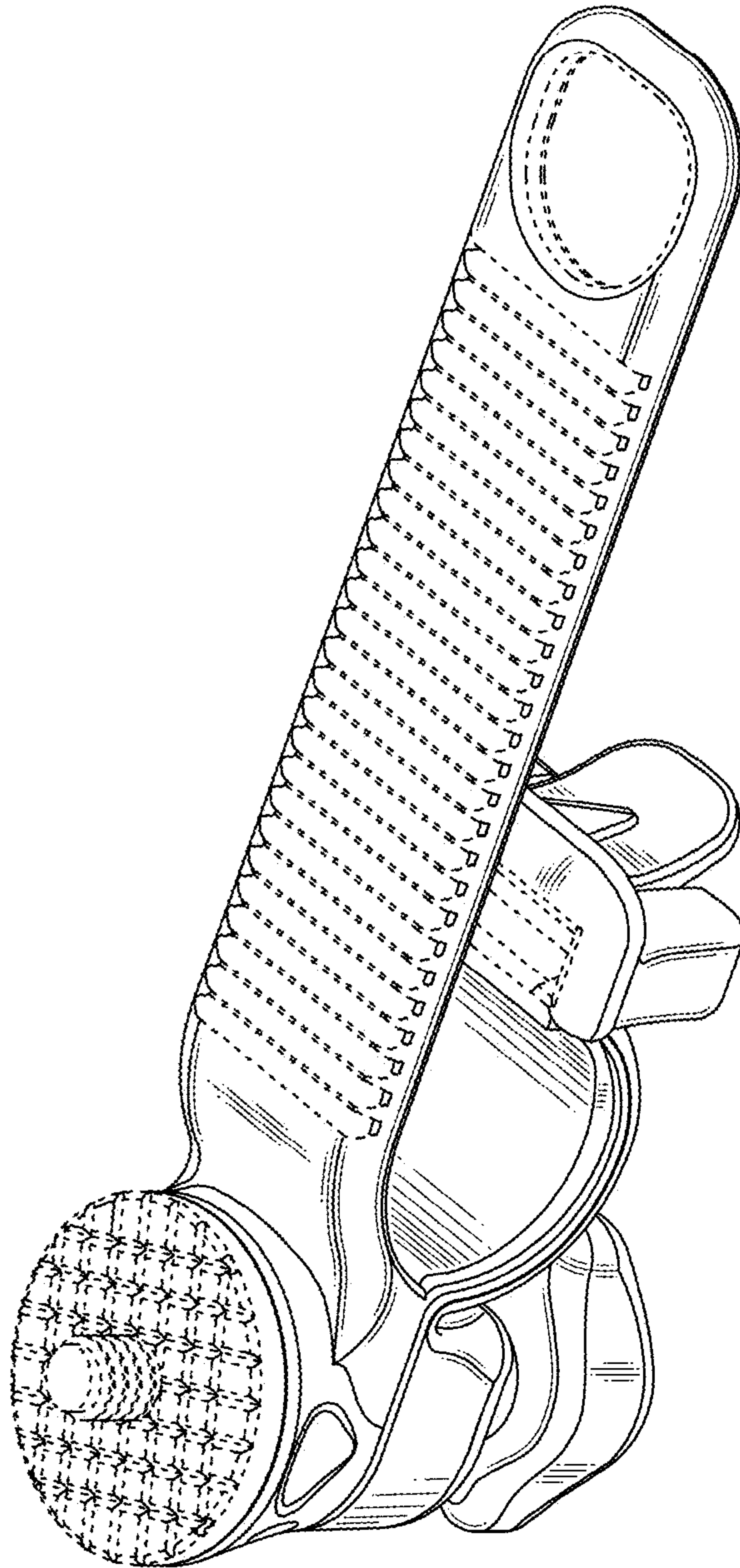


FIG. 1

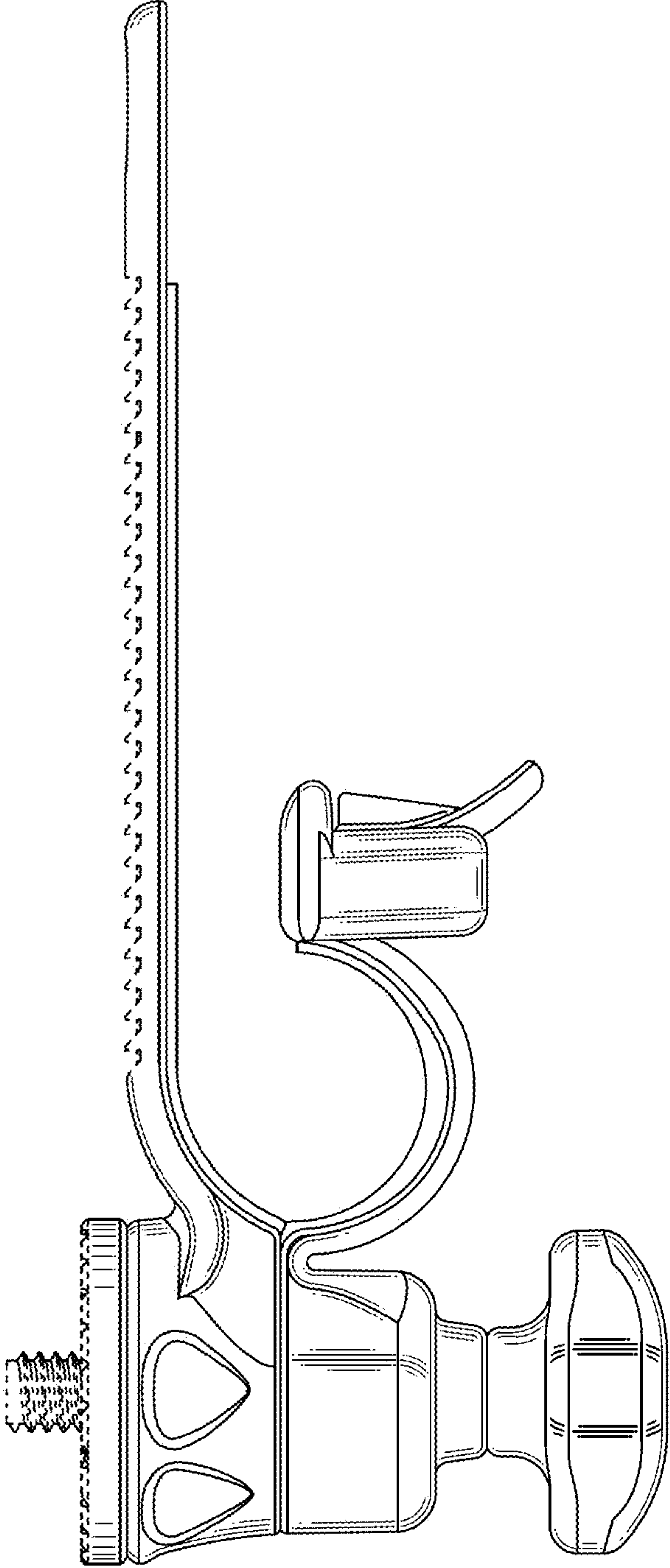


FIG. 2

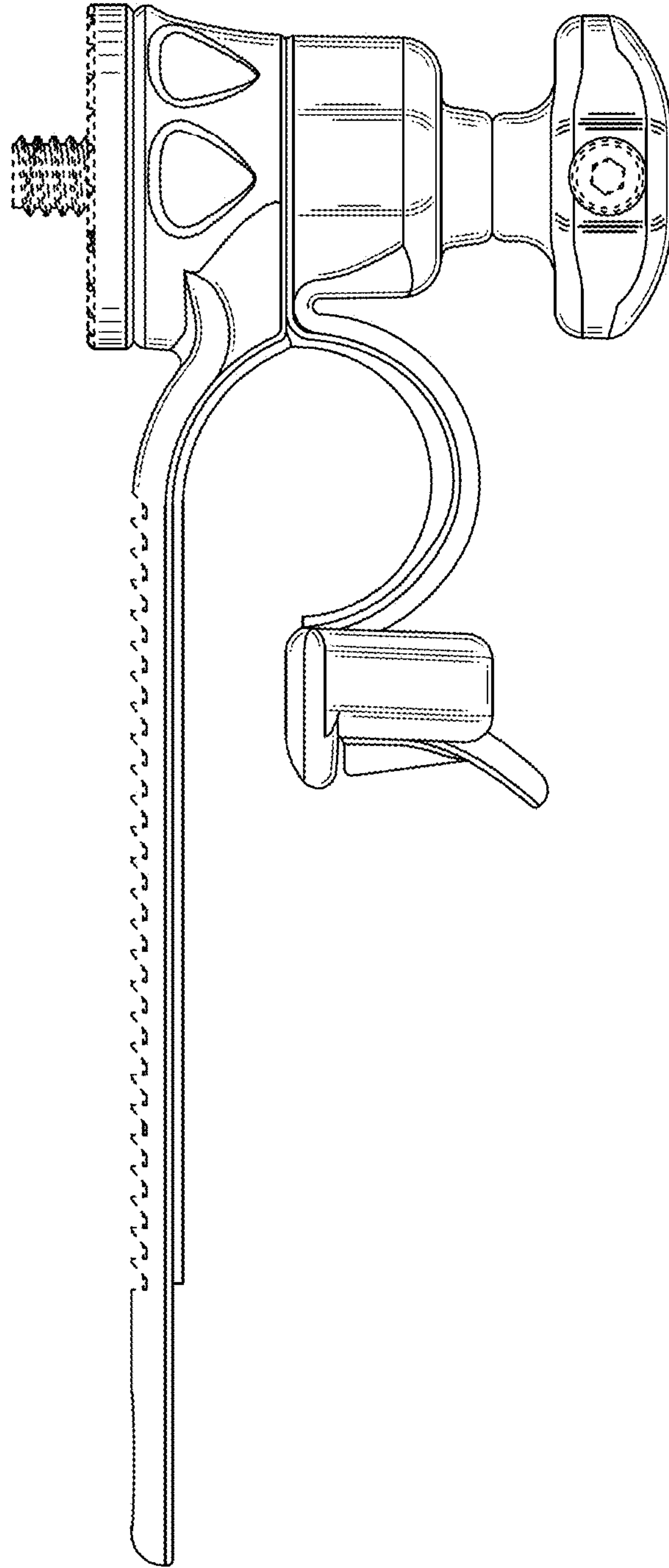


FIG. 3

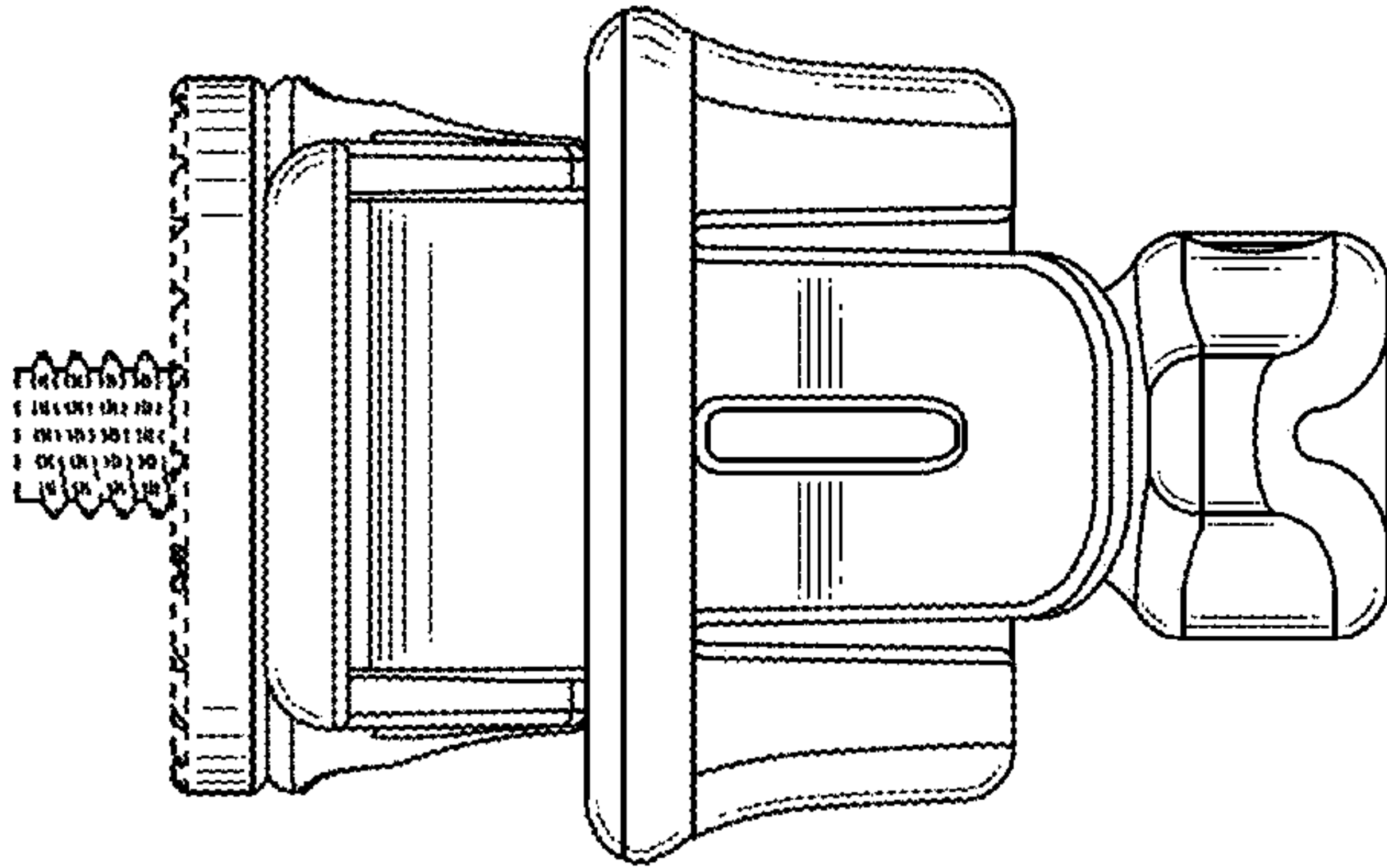


FIG. 5

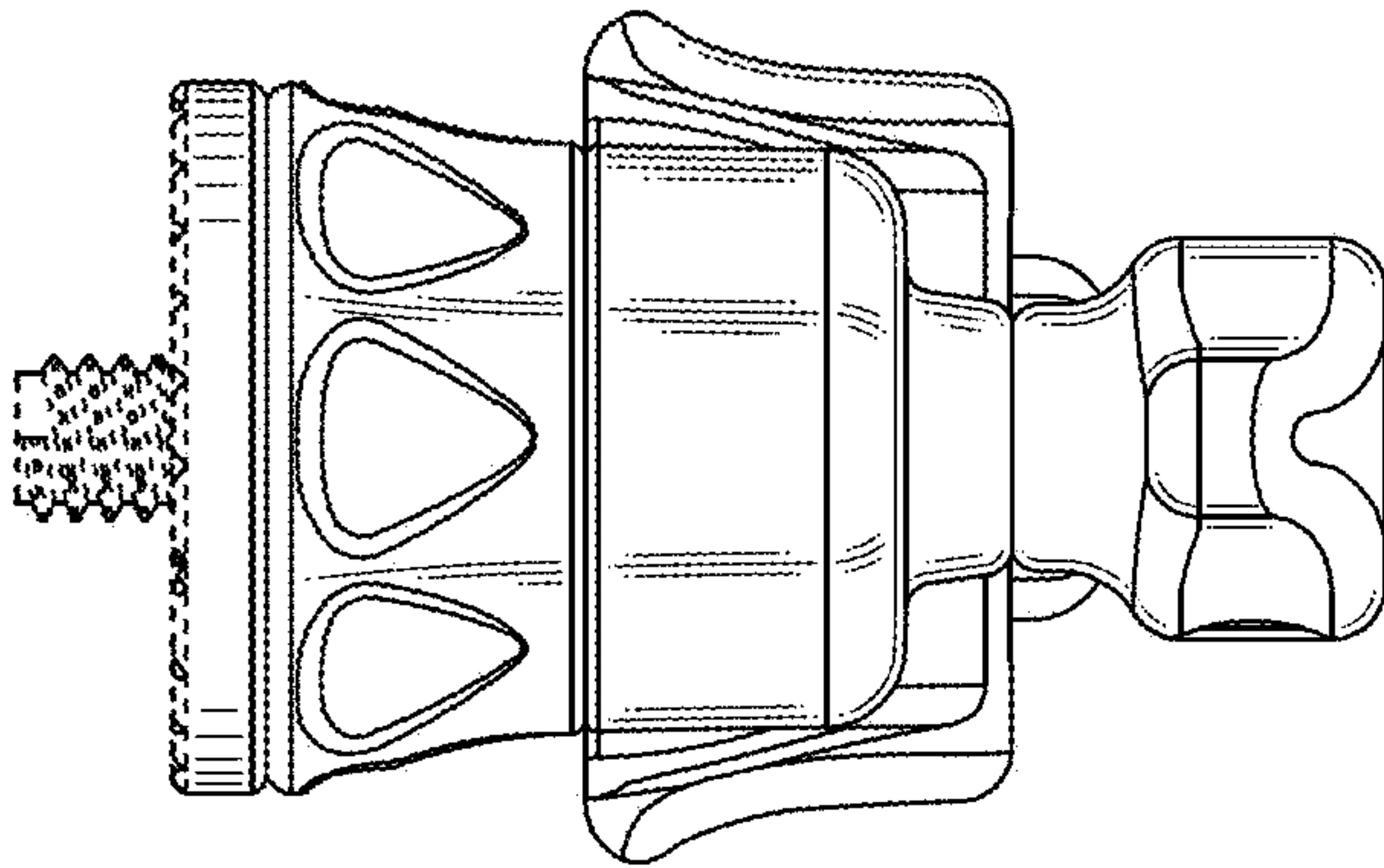


FIG. 4

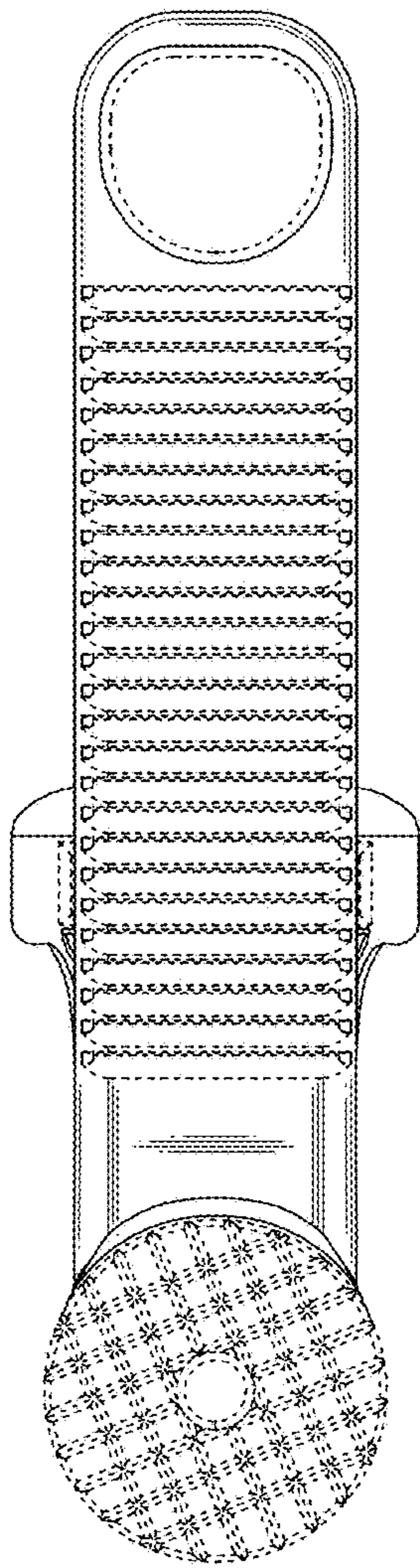


FIG. 6

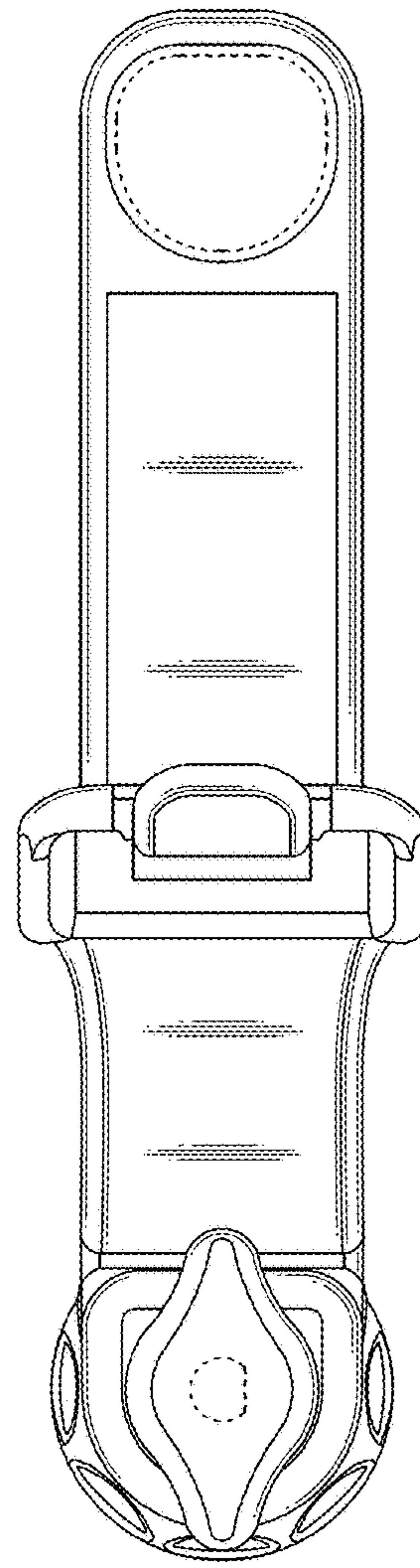


FIG. 7