

US00D796941S

(12) **United States Design Patent** (10) **Patent No.:** **US D796,941 S**  
**Smith** (45) **Date of Patent:** **\*\* Sep. 12, 2017**

- (54) **SHAKE-PROOF HOOK**
- (71) Applicant: **S&C Electric Company**, Chicago, IL (US)
- (72) Inventor: **Richard George Smith**, North Aurora, IL (US)
- (73) Assignee: **S&C ELECTRIC COMPANY**, Chicago, IL (US)
- (\*\*) Term: **15 Years**
- (21) Appl. No.: **29/584,318**
- (22) Filed: **Nov. 14, 2016**

5,257,441 A	11/1993	Barlow	
5,292,165 A	3/1994	Wiklund	
5,538,303 A	7/1996	Dunham	
D399,127 S	10/1998	Messer	
5,884,950 A	3/1999	Fredriksson	
D431,650 S *	10/2000	Guala .....	D24/129
6,283,524 B1	9/2001	Simond	
D449,975 S	11/2001	Smith et al.	
D455,642 S	4/2002	Kelleghan	
D466,791 S	12/2002	Kelleghan	
D468,997 S	1/2003	Chang	
D485,431 S	1/2004	Hsu	
D496,256 S	9/2004	Hong	
D521,362 S	5/2006	Kelleghan	
D551,788 S	9/2007	Bao	

(Continued)

*Primary Examiner* — Cynthia Underwood  
(74) *Attorney, Agent, or Firm* — Lorenz & Kopf LLP

**Related U.S. Application Data**

- (62) Division of application No. 29/545,287, filed on Nov. 11, 2015, now Pat. No. Des. 778,145.
- (51) **LOC (10) Cl.** ..... **08-05**
- (52) **U.S. Cl.**  
USPC ..... **D8/367**
- (58) **Field of Classification Search**  
USPC ..... D8/367, 354, 349, 394  
CPC ..... F16L 3/13; F16L 3/26; A47G 23/0225;  
A47G 25/06; A47G 1/16; A47F 5/0846;  
A47F 5/02; H02G 11/003; D06F 55/00;  
E04H 17/10  
See application file for complete search history.

**References Cited**

**U.S. PATENT DOCUMENTS**

D241,118 S	8/1976	Schreyer et al.
D271,465 S	11/1983	Boissonnet
D272,717 S	2/1984	Faidide
4,712,646 A	12/1987	Page
D297,878 S	9/1988	Bergstrom
D337,935 S	8/1993	Hawley

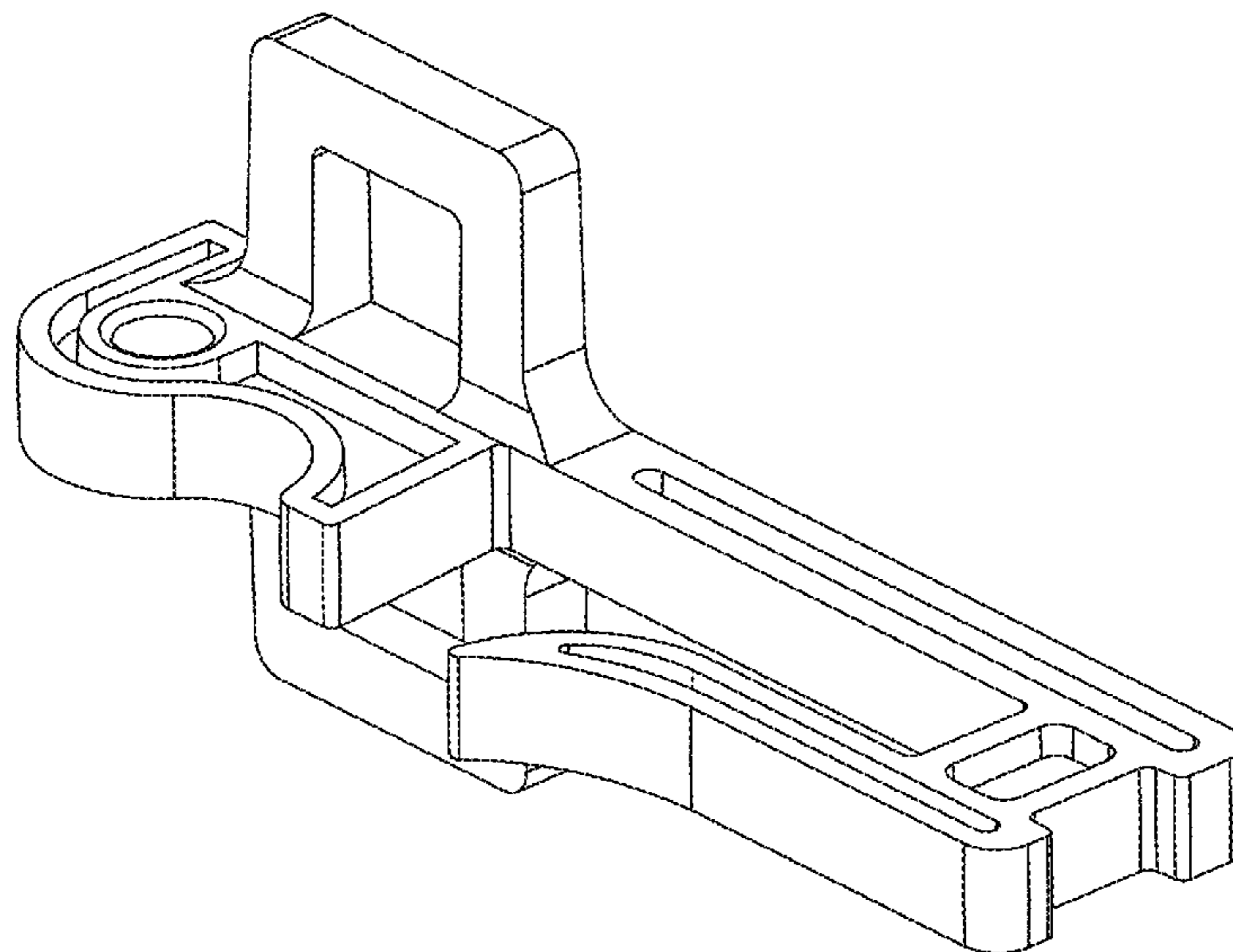
(57) **CLAIM**

The ornamental design for a shake-proof hook, as shown and described.

**DESCRIPTION**

FIG. 1 is a front perspective view of the shake-proof hook in accordance with an exemplary embodiment;  
 FIG. 2 is a rear perspective view of the shake-proof hook, the rear perspective view opposing the front perspective view of FIG. 1;  
 FIG. 3 is a top view of the shake-proof hook of FIG. 1;  
 FIG. 4 is a first side view of the shake-proof hook of FIG. 1;  
 FIG. 5 is a first end view of the shake-proof hook of FIG. 1;  
 FIG. 6 is a second end view of the shake-proof hook, the second end view opposing the first end view of FIG. 5;  
 FIG. 7 is a second side view of the shake-proof hook, the second side view opposing the first side view of FIG. 4; and,  
 FIG. 8 is a bottom view of the shake-proof hook, the bottom view opposing the top view of FIG. 3.

**1 Claim, 3 Drawing Sheets**



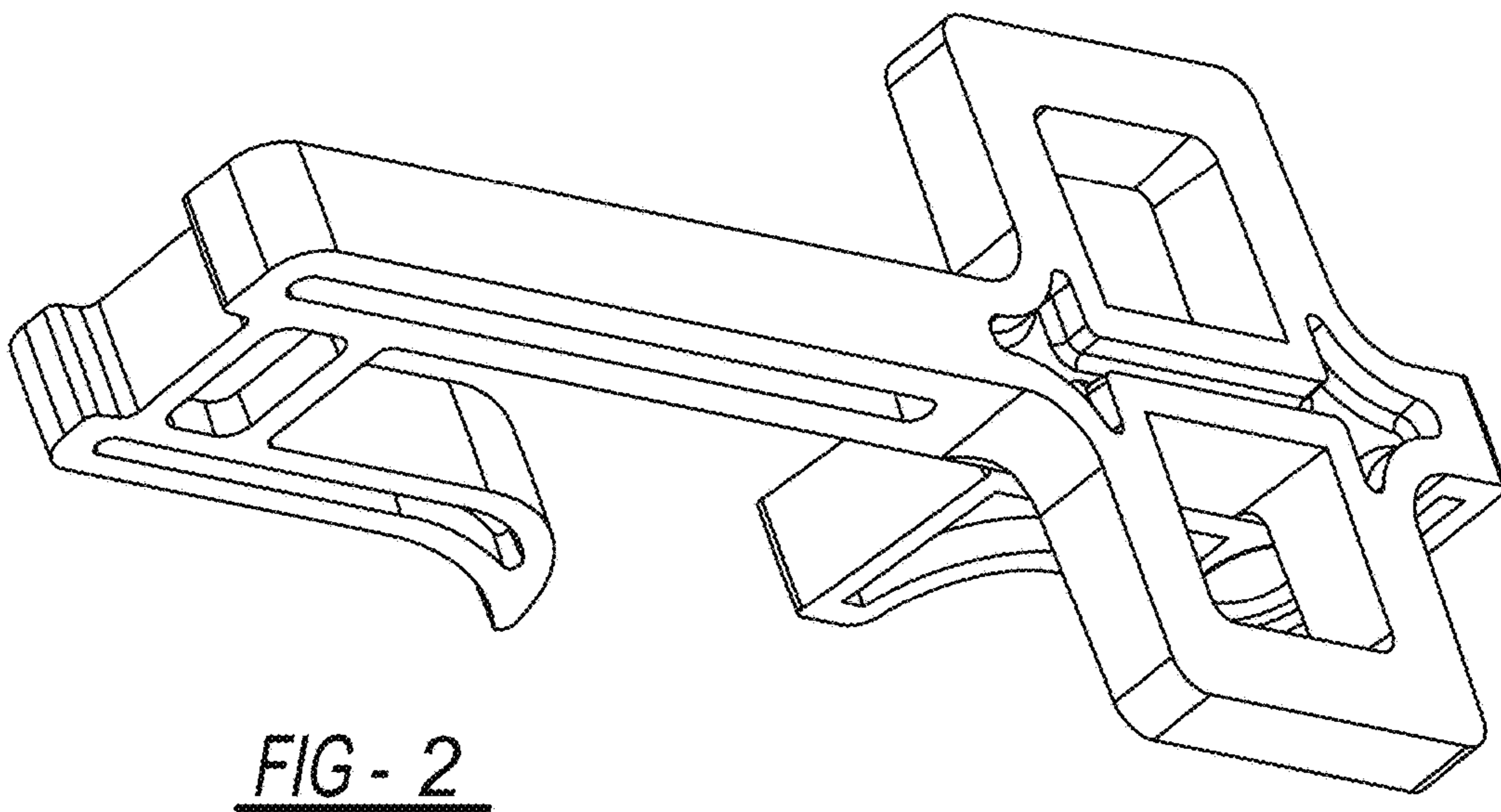
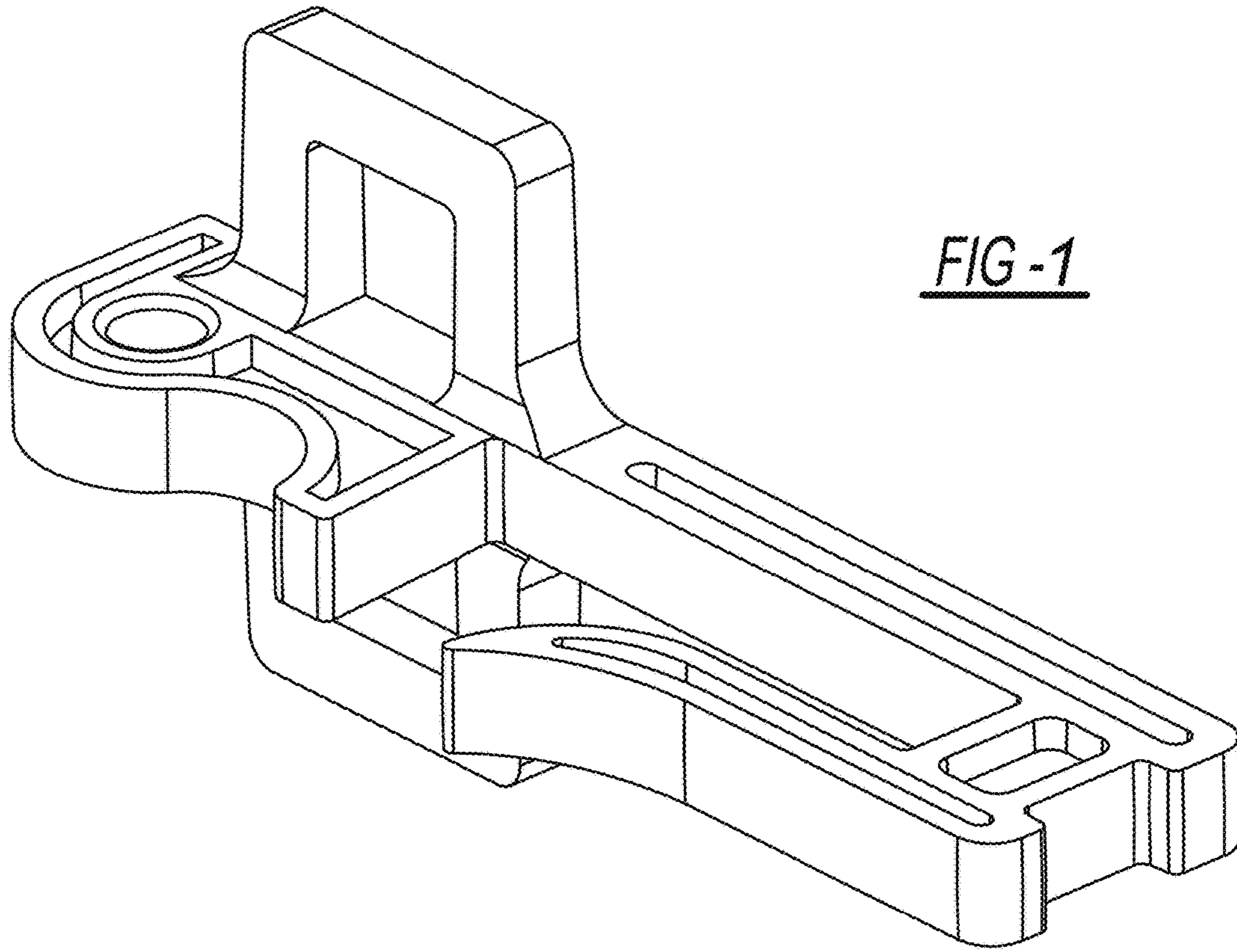
(56)

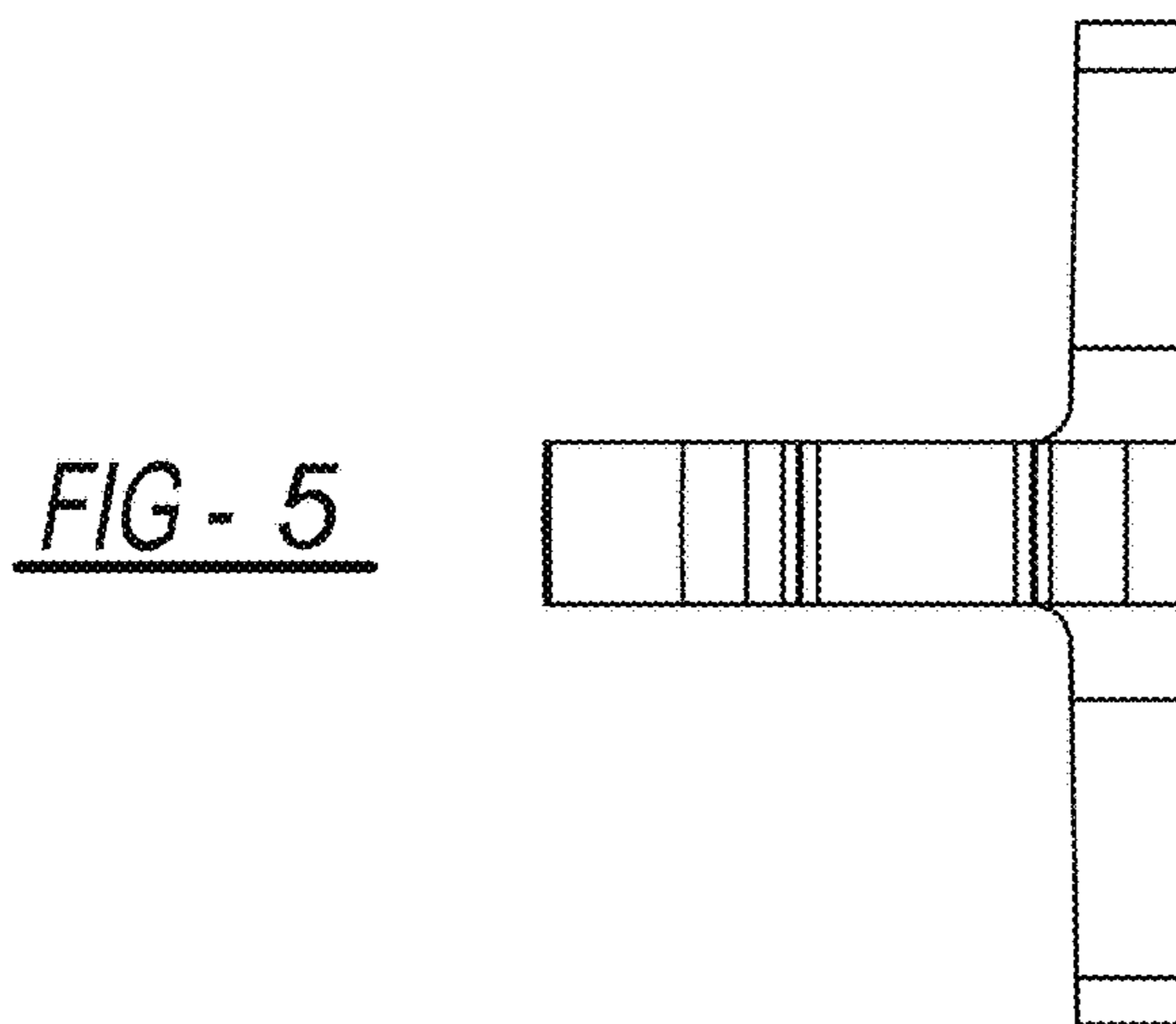
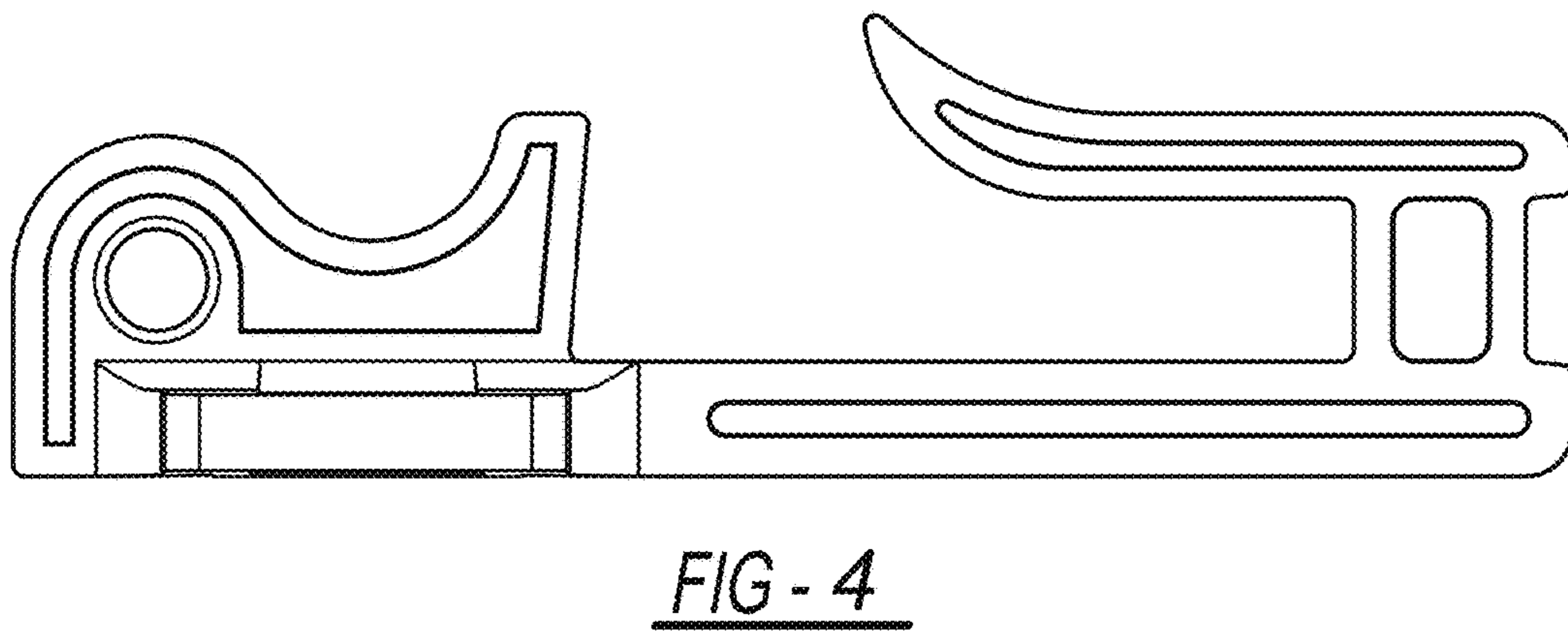
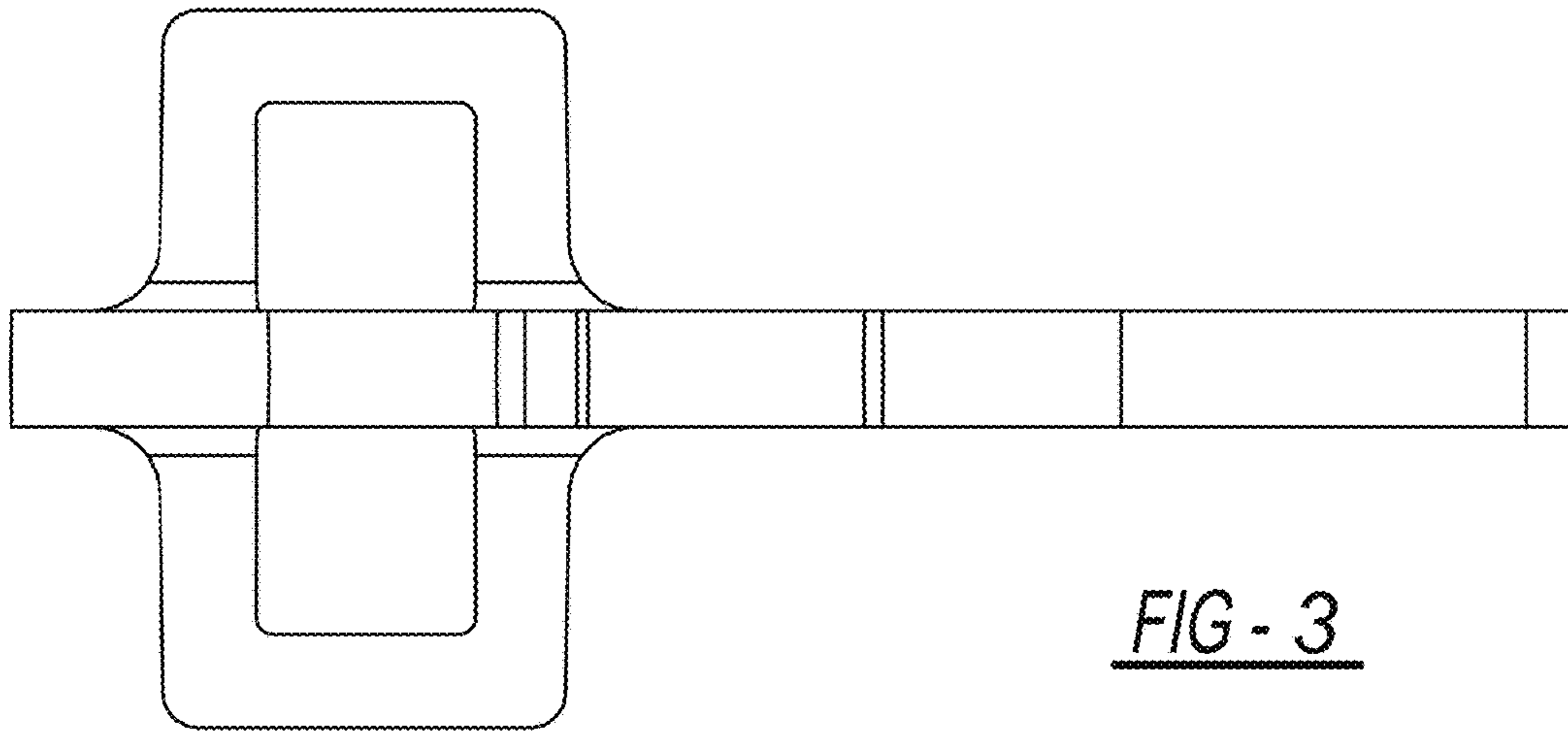
**References Cited**

U.S. PATENT DOCUMENTS

D569,718	S *	5/2008	Nakamura .....	D8/394
D573,875	S	7/2008	Anderson	
7,437,806	B2	10/2008	Lin	
D595,119	S	6/2009	Kelleghan	
D601,410	S	10/2009	Lee	
8,015,676	B1	9/2011	Choate	
D657,660	S	4/2012	Petty et al.	
D659,518	S	5/2012	Xu	
8,276,247	B2	10/2012	Yang	
D670,555	S	11/2012	Lin	
D671,293	S	11/2012	Fredriksson	
8,572,819	B2	11/2013	Yang	
D699,098	S	2/2014	Fretz	
D708,931	S	7/2014	Petzl	
9,003,617	B2	4/2015	Walker et al.	
D730,159	S	5/2015	Grimm et al.	
D730,722	S	6/2015	Grimm et al.	
D735,018	S	7/2015	McEvelly	
9,091,295	B1	7/2015	Yang et al.	
D738,196	S	9/2015	Petzl	
D743,778	S	11/2015	Huang	
9,175,717	B2	11/2015	Tardif	
D745,377	S *	12/2015	Ressler .....	D8/367
9,249,602	B1	2/2016	Greer	
9,322,428	B2	4/2016	Perner	
D755,612	S	5/2016	Cooper	
D758,172	S	6/2016	Hung	
D762,107	S *	7/2016	French .....	D8/367
D766,707	S *	9/2016	Greenleaf .....	D8/367
D770,886	S *	11/2016	Whitaker .....	D8/394
D779,931	S *	2/2017	Mondragon .....	D9/415

\* cited by examiner





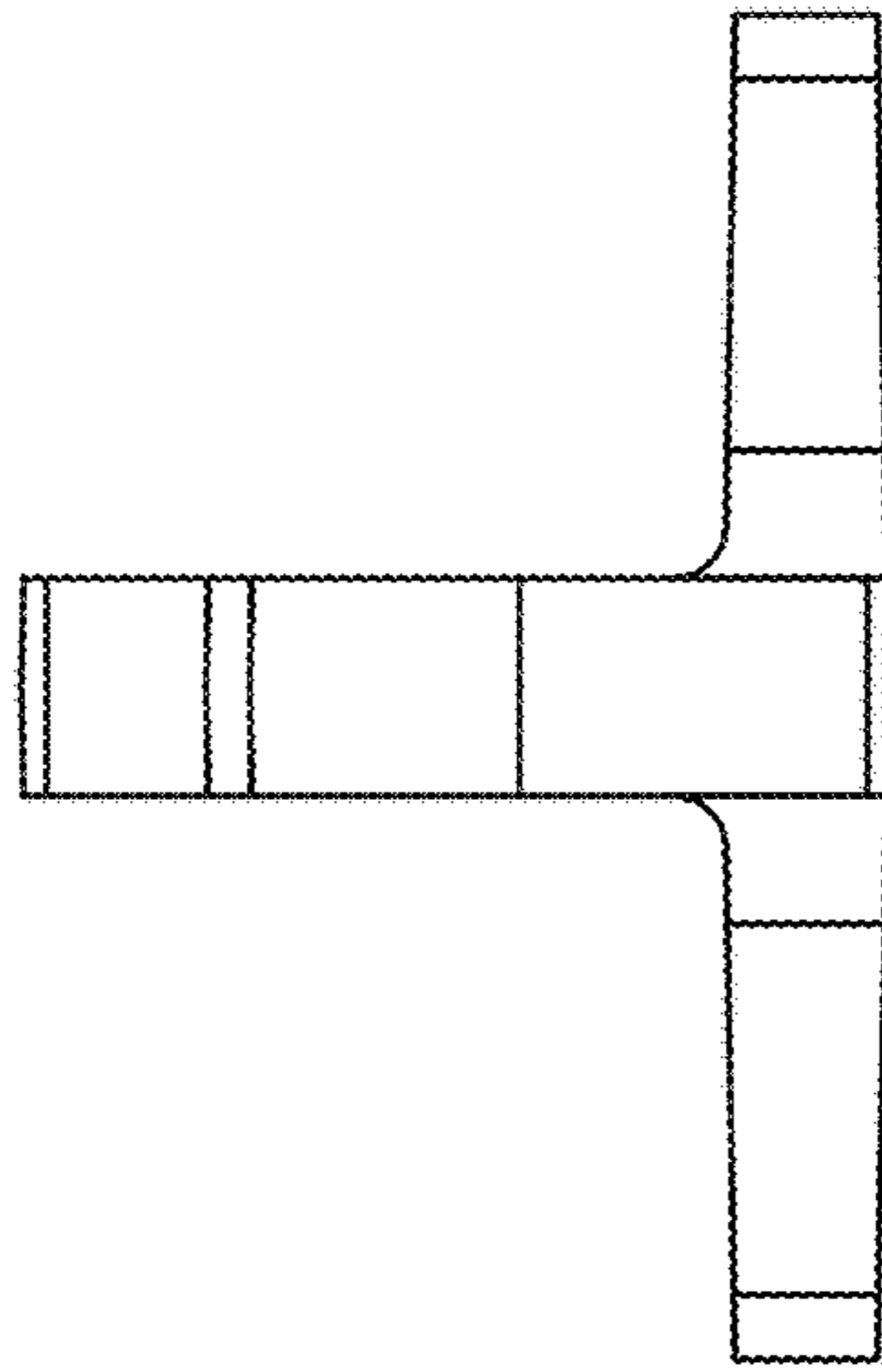


FIG - 6

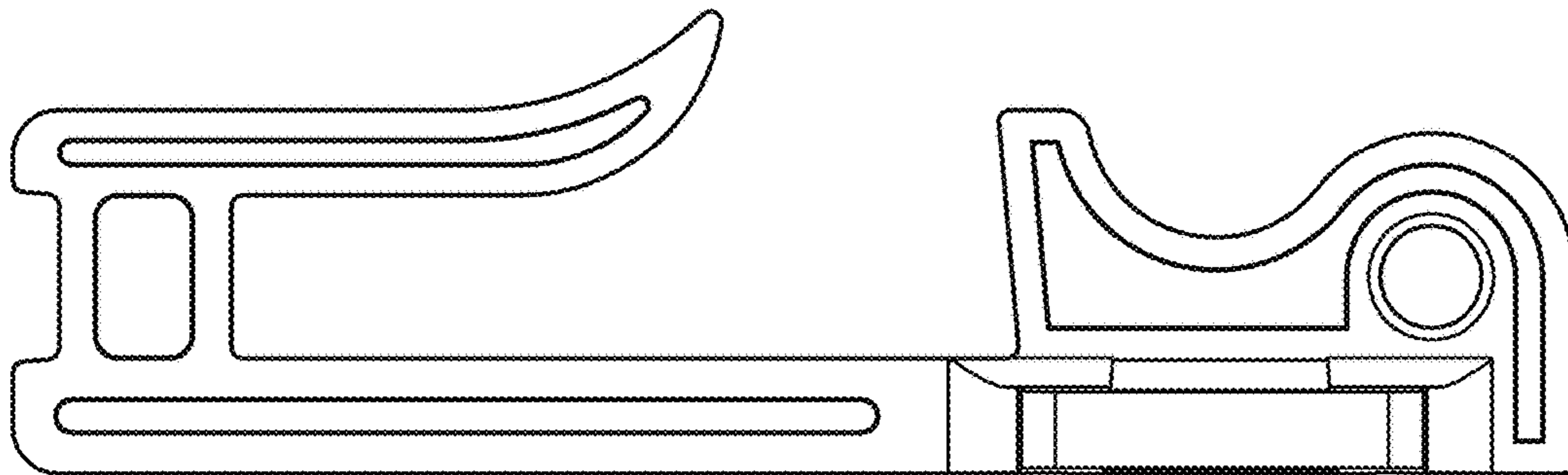


FIG - 7

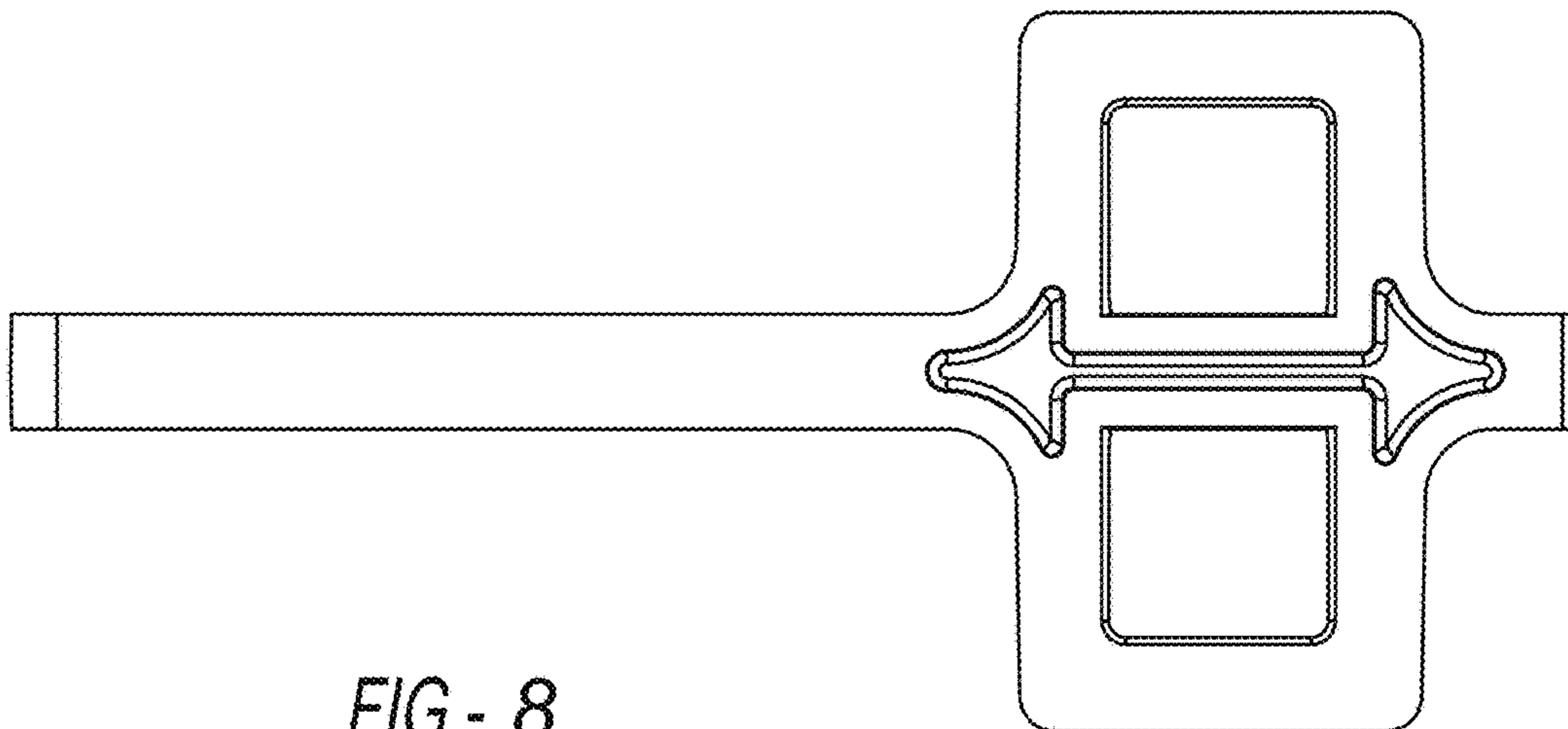


FIG - 8