



US00D796938S

(12) **United States Design Patent** (10) **Patent No.:** **US D796,938 S**
Rago (45) **Date of Patent:** **** Sep. 12, 2017**

(54) **LED BRACKET**

(71) Applicant: **Mario Rago**, Mountain Home, TX (US)

(72) Inventor: **Mario Rago**, Mountain Home, TX (US)

(**) Term: **15 Years**

(21) Appl. No.: **29/593,877**

(22) Filed: **Feb. 14, 2017**

(51) **LOC (10) Cl.** **08-05**

(52) **U.S. Cl.**
USPC **D8/354**

(58) **Field of Classification Search**
USPC D8/349, 354–355, 373, 380, 382–383,
D8/394, 396; D13/118, 149, 154
CPC F21V 21/02; F21S 8/00
See application file for complete search history.

(56) **References Cited**

U.S. PATENT DOCUMENTS

D274,978 S *	8/1984	Preisler	D8/349
D610,438 S *	2/2010	Libohova	D8/373
D784,113 S *	4/2017	Rago	D8/354
D784,114 S *	4/2017	Rago	D8/354
D784,115 S *	4/2017	Rago	D8/354
2011/0226830 A1 *	9/2011	West, Jr.	B60R 19/48 224/539

OTHER PUBLICATIONS

<http://www.cbioffroadfab.com/products/4th-gen-toyota-4runner-products/4th-gen-4runner-ditch-light-brackets/>; CBIOffRoadFab.com; 2011; US.

<http://www.cbioffroadfab.com/products/5th-gen-toyota-4runner/5th-gen-ditch-light-brackets/>; CBIOffRoadFab.com; 2011; US.
<http://www.cbioffroadfab.com/products/5th-gen-toyota-4runner/5th-gen-antenna-bracket/>; CBIOffRoadFab.com; 2011; US.
<http://www.cbioffroadfab.com/products/2nd-gen-toyota-tacoma-products/2nd-gen-tacoma-antenna-bracket/>; CBIOffRoadFab.com; 2011; US.
<http://www.autoanything.com/lights/rigid-industries-bumper-lightbar-mount-kits/>; AutoAnything.com; 2000-2016; US.
<https://www.amazon.com/Rough-Country-Windshield-Mounting-Brackets/dp/B00TACQ6L6>; Amazon.com; 1996-2016; US.
<http://www.autoanything.com/lights/rigid-industries-hood-lightbar-mount-kits/>; AutoAnything.com; 2000-2016; US.

* cited by examiner

Primary Examiner — Lakiya Rogers
Assistant Examiner — Harold E Blackwell, II
(74) *Attorney, Agent, or Firm* — Gunn, Lee & Cave, P.C.

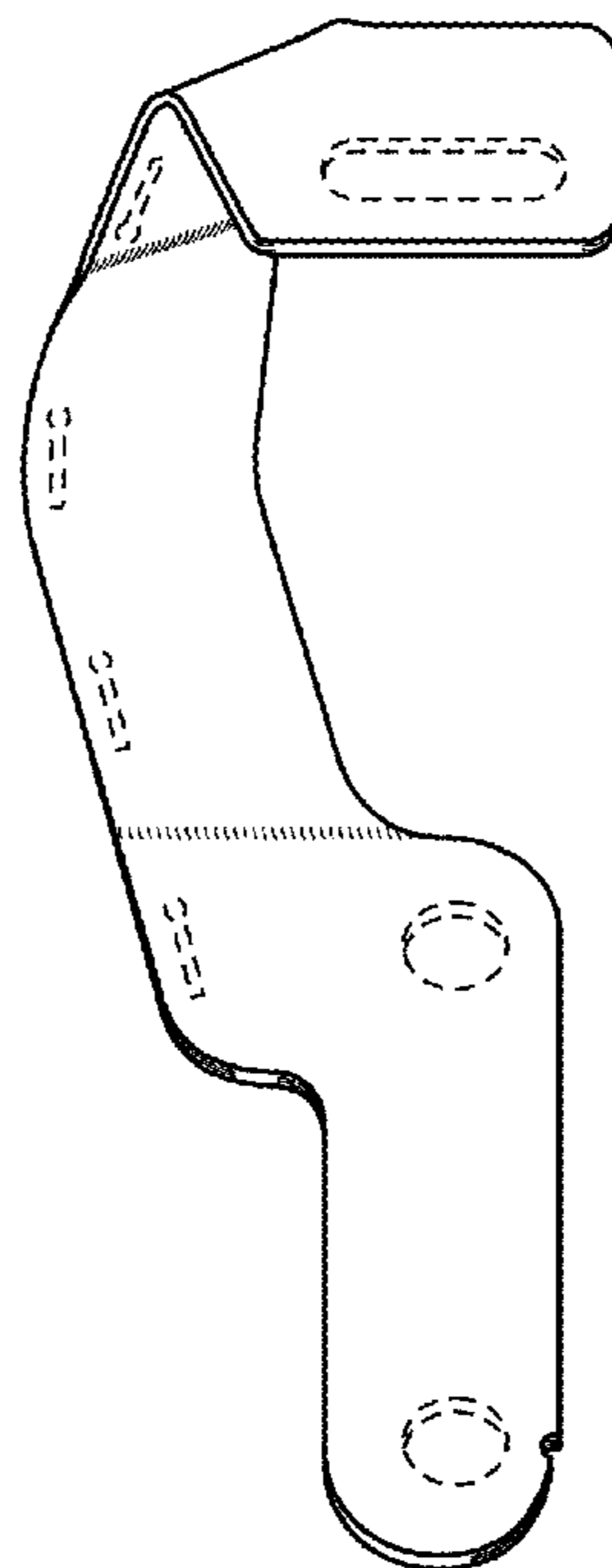
(57) **CLAIM**

The ornamental design for an LED bracket, as shown and described.

DESCRIPTION

FIG. 1 is a front elevational view of the LED bracket; FIG. 2 is a rear elevational view thereof; FIG. 3 is a bottom plan view thereof; FIG. 4 is a top plan view thereof; FIG. 5 is a left side elevational view thereof; FIG. 6 is a right side elevational view thereof; and, FIG. 7 is a front perspective view of the LED bracket. The broken lines in the drawings illustrate portions of the LED bracket that form no part of the claimed design.

1 Claim, 4 Drawing Sheets



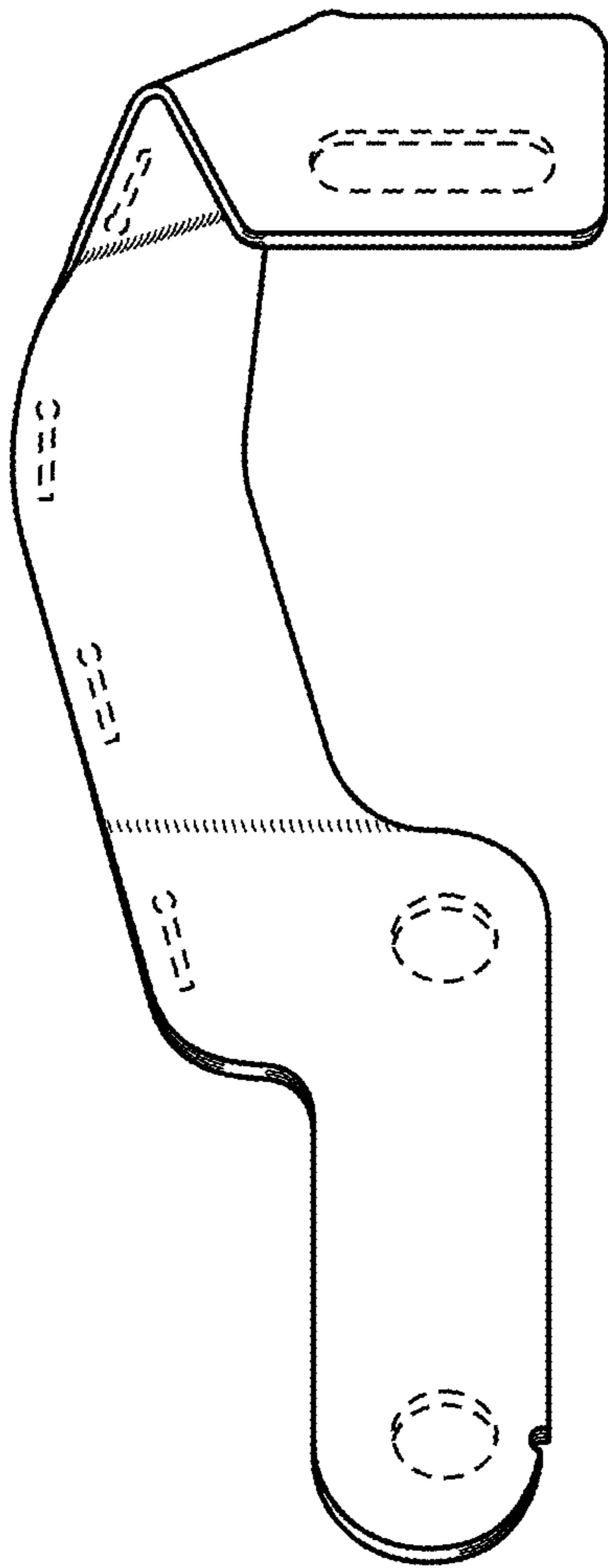


FIG. 1

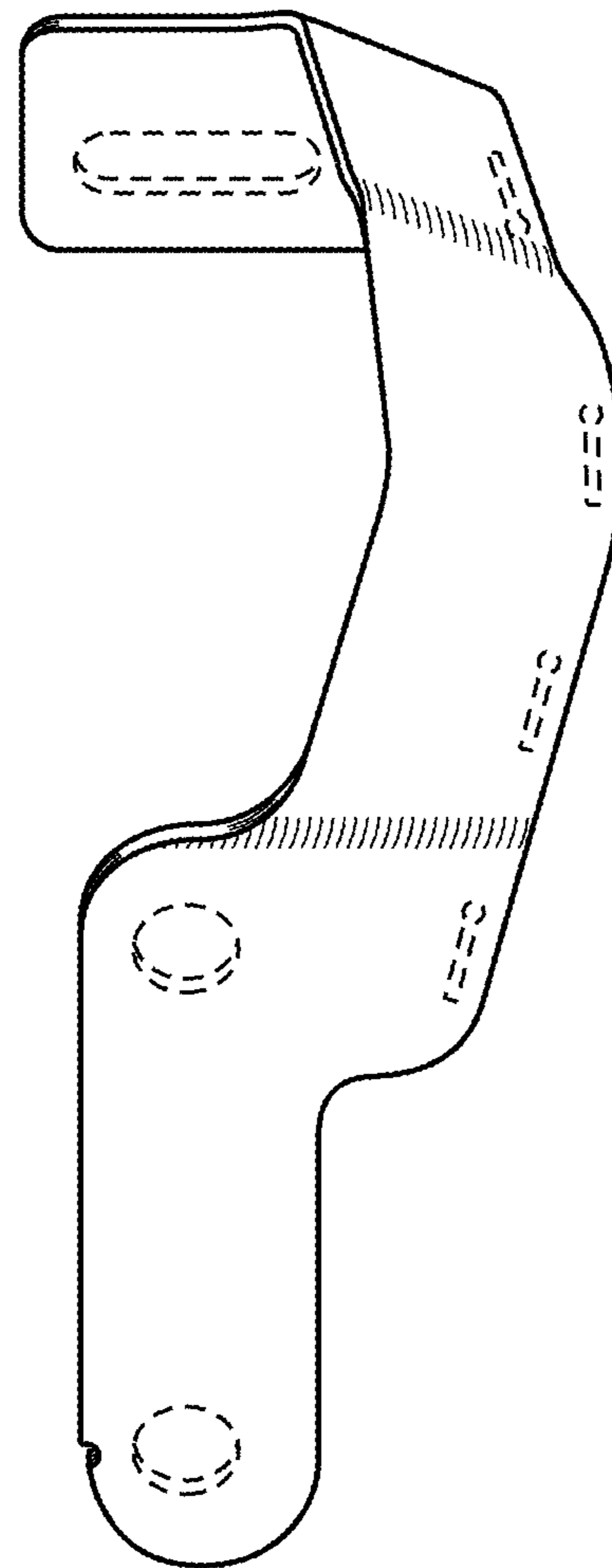


FIG. 2

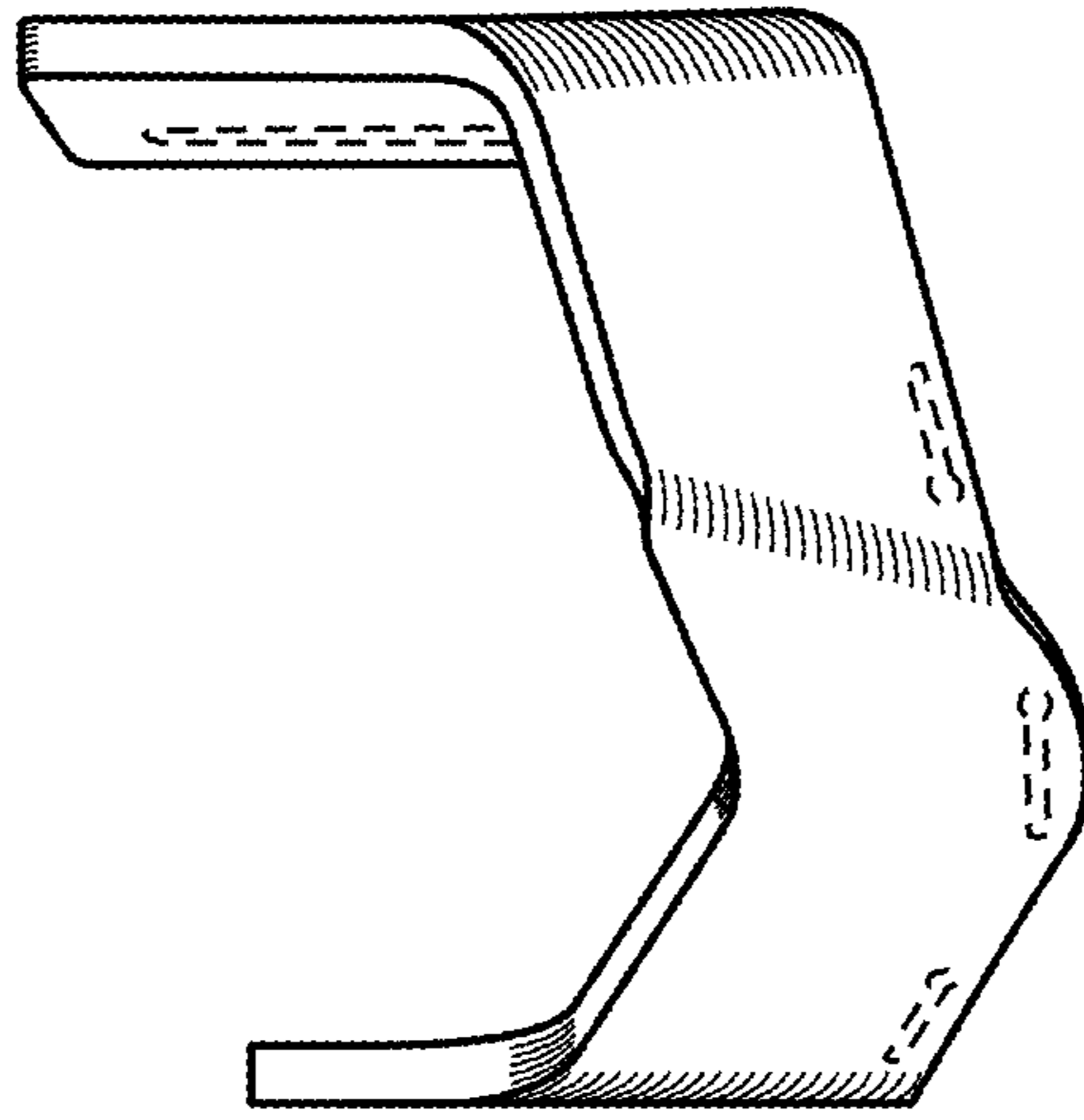


FIG. 3

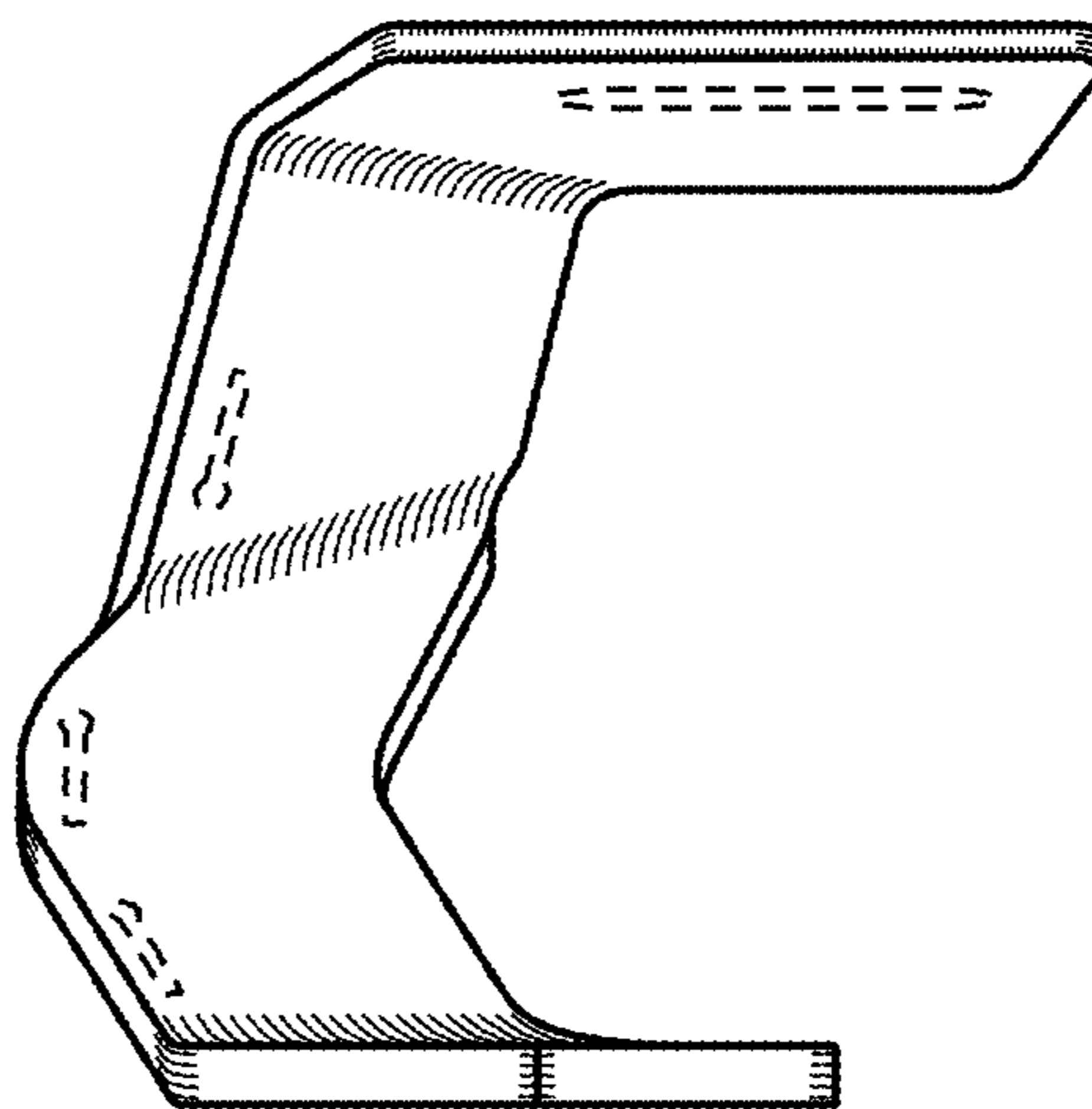


FIG. 4

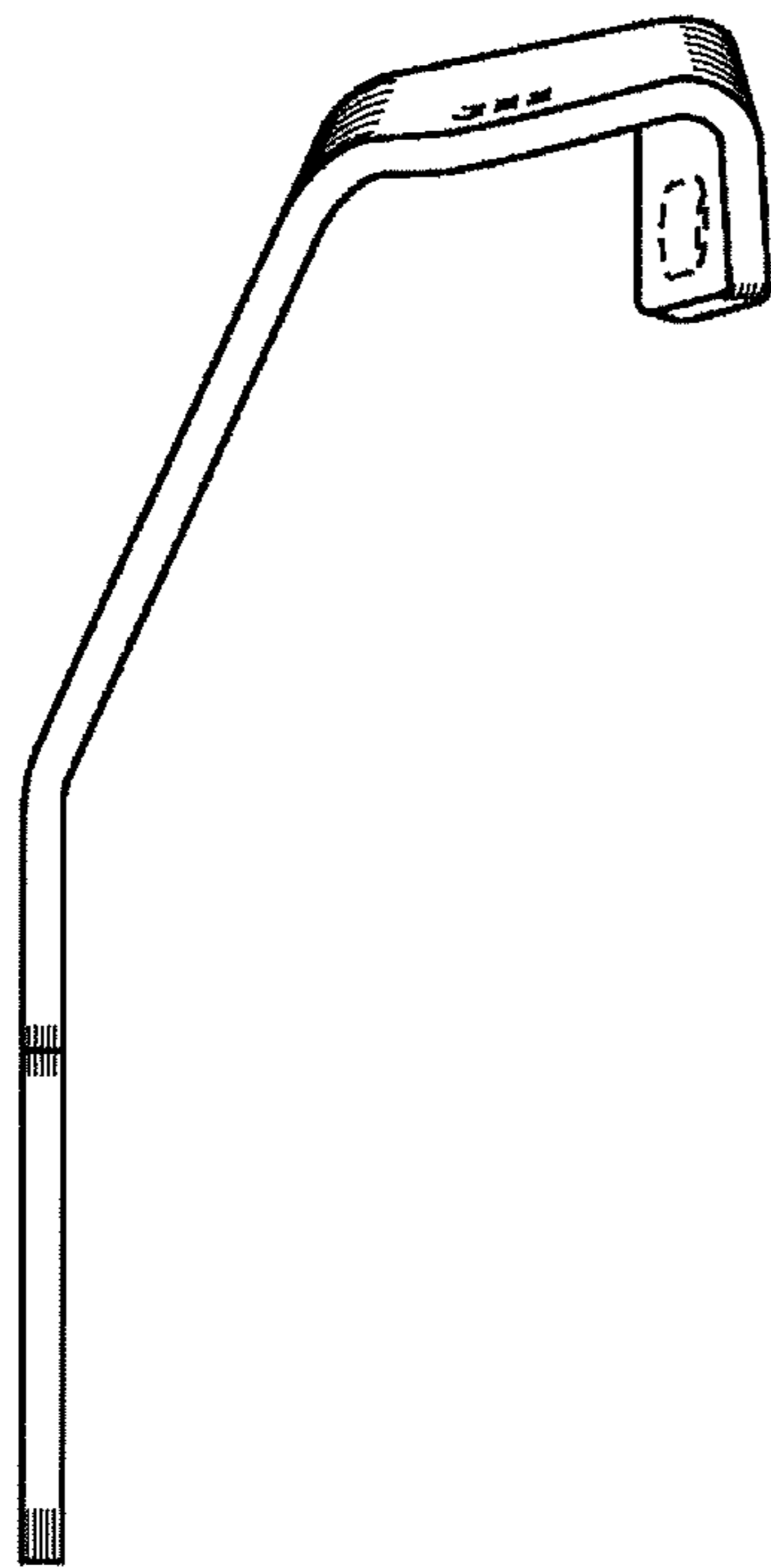


FIG. 5

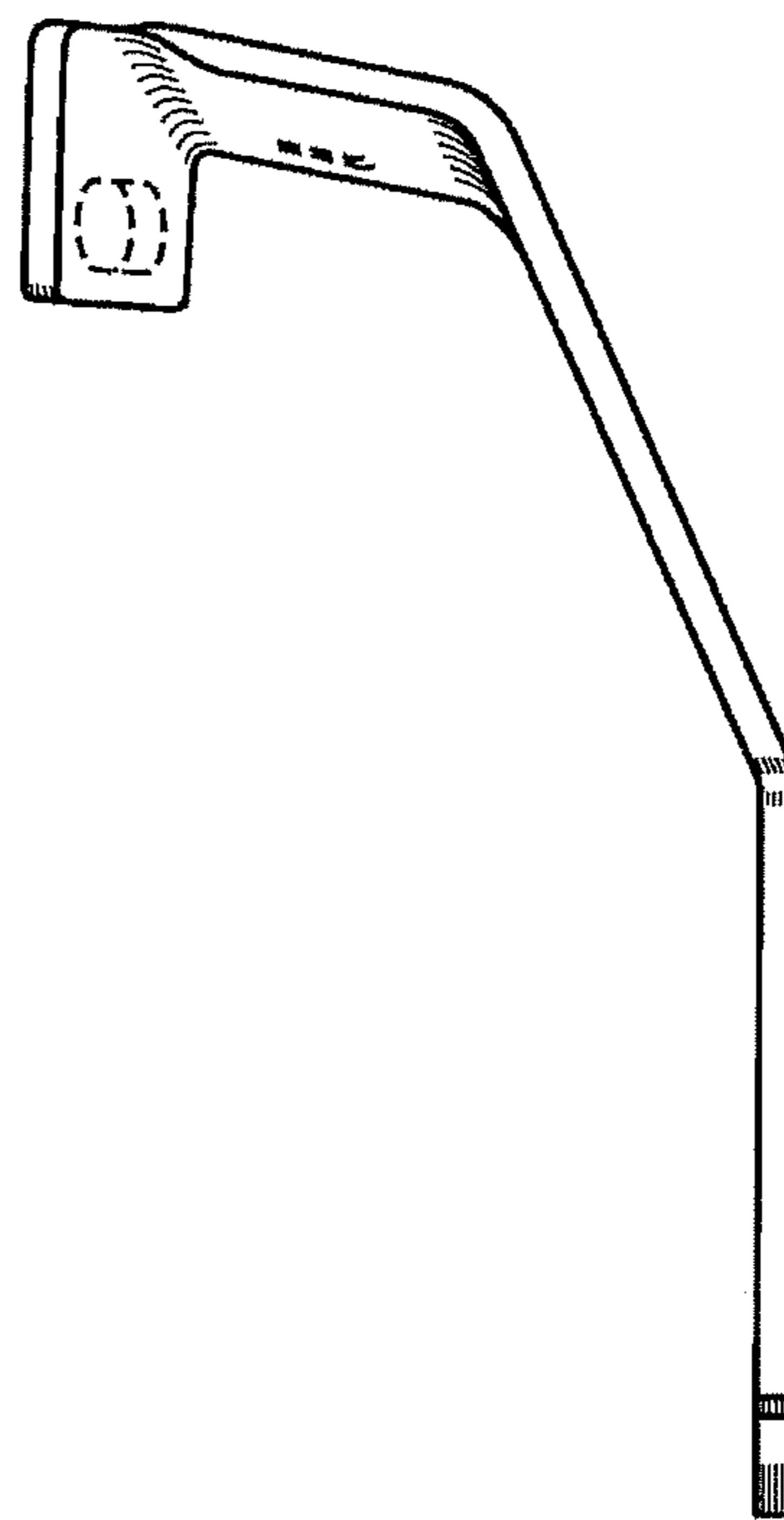


FIG. 6

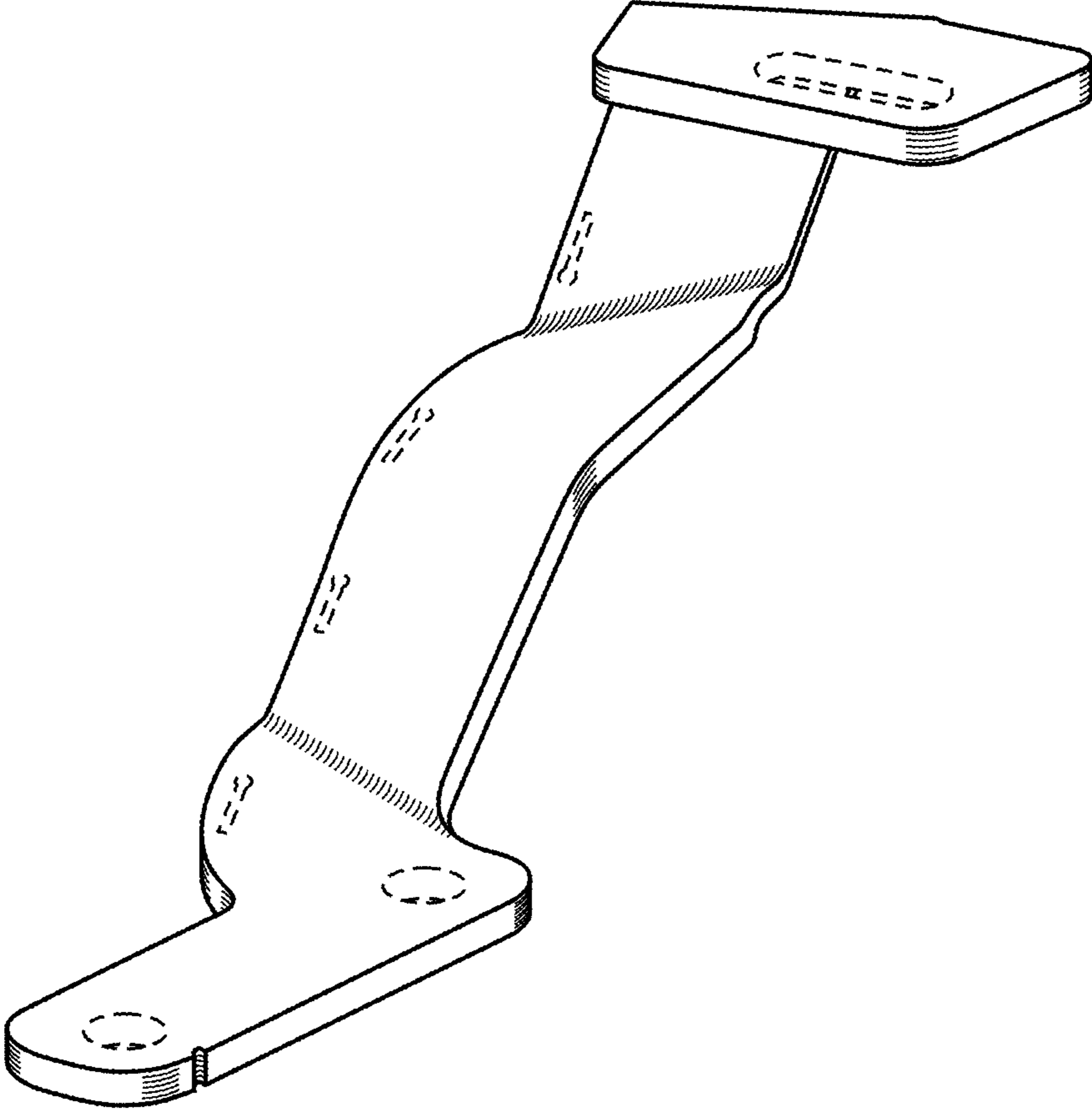


FIG. 7