



US00D796937S

(12) **United States Design Patent** (10) **Patent No.:** **US D796,937 S**  
**Cook et al.** (45) **Date of Patent:** **\*\* Sep. 12, 2017**

(54) **INTERFACE MOUNT**  
(71) Applicant: **Burriss Company, Inc.**, Greeley, CO (US)  
(72) Inventors: **Kirk Cook**, Lyons, CO (US); **George Farca**, Golden, CO (US); **Michael O'Donnell**, Wellington, CO (US); **Steven A. Bennetts**, Greeley, CO (US)  
(73) Assignee: **BURRIS COMPANY, INC.**, Greeley, CO (US)  
(\*\*) Term: **14 Years**  
(21) Appl. No.: **29/518,494**  
(22) Filed: **Feb. 24, 2015**  
(51) **LOC (10) Cl.** ..... **08-05**  
(52) **U.S. Cl.**  
USPC ..... **D8/354**  
(58) **Field of Classification Search**  
USPC ..... D22/109, 110; 42/124; 89/41.17; D8/354, 349, 352  
CPC ..... F41G 11/003; F41G 11/002  
See application file for complete search history.

(56) **References Cited**

**U.S. PATENT DOCUMENTS**

D351,449 S \* 10/1994 Dagley ..... D22/109  
D732,631 S \* 6/2015 Cheng ..... D22/109  
D732,632 S \* 6/2015 Cheng ..... D22/109  
D732,634 S \* 6/2015 Cheng ..... D22/109  
9,417,034 B1 \* 8/2016 Swan ..... F41G 11/008  
2017/0059277 A1 \* 3/2017 Justice ..... F41G 11/003  
2017/0082402 A1 \* 3/2017 Zimmer ..... F41G 11/001

**OTHER PUBLICATIONS**

“AR-1X”, Burriss Company, Inc., retrieved from <http://www.burrisoptics.com/sights/ar-sights-series/ar-1x> on Jul. 8, 2015, 5 pages.

“AR-332”, Burriss Company, Inc., retrieved from <http://www.burrisoptics.com/sights/ar-sights-series/ar-332> on Jul. 8, 2015, 8 pages.  
“AR-536”, Burriss Company, Inc., retrieved from <http://www.burrisoptics.com/sights/ar-sights-series/ar-536> on Jul. 8, 2015, 8 pages.  
“AR-F3 Mount”, Burriss Company, Inc., retrieved from <http://www.burrisoptics.com/mounting-systems/mounts-and-bases/ar-f3-mount> on Jul. 8, 2015, 2 pages.

(Continued)

*Primary Examiner* — Lakiya Rogers  
*Assistant Examiner* — Harold E Blackwell, II

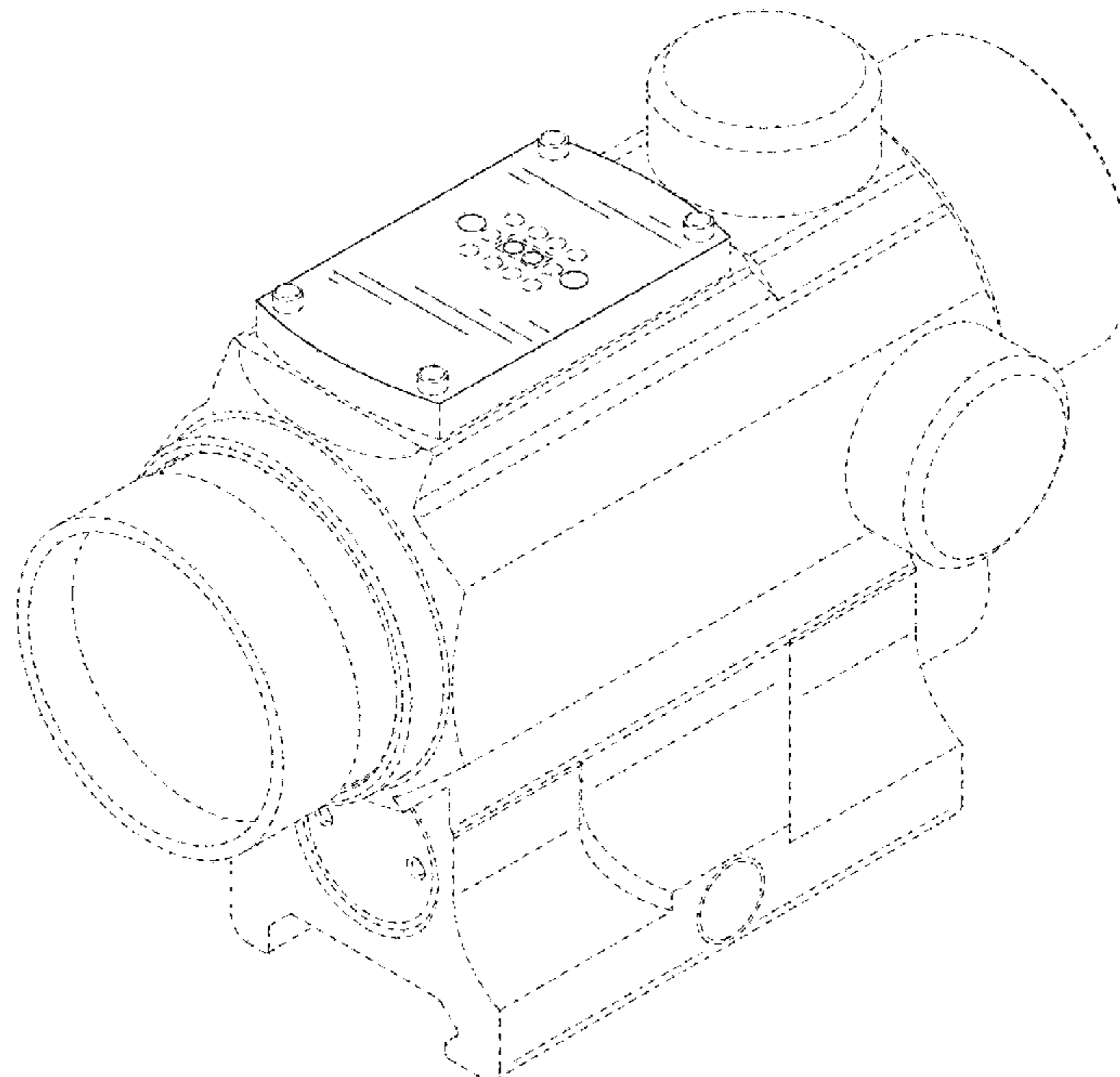
(57) **CLAIM**

The ornamental design for an interface mount, as shown.

**DESCRIPTION**

FIG. 1 is a perspective view of an interface mount showing our new design.  
FIG. 2 is a front elevation view of the interface mount of FIG. 1.  
FIG. 3 is a rear elevation view of the interface mount of FIG. 1.  
FIG. 4 is a right elevation view of the interface mount of FIG. 1.  
FIG. 5 is a left elevation view of the interface mount of FIG. 1.  
FIG. 6 is a top plan view of the interface mount of FIG. 1; and,  
FIG. 7 is a bottom plan view of the interface mount of FIG. 1.  
The broken lines depict environmental or unclaimed portions of the interface mount that form no part of the claimed design.

**1 Claim, 7 Drawing Sheets**



(56)

**References Cited**

OTHER PUBLICATIONS

“FastFire 2”, Burris Company, Inc., retrieved from <http://www.burrisoptics.com/sights/fastfire-series/fastfire-2> on Jul. 8, 2015, 6 pages.

“FastFire 3”, Burris Company, Inc., retrieved from <http://www.burrisoptics.com/sights/fastfire-series/fastfire-3> on Jul. 8, 2015, 9 pages.

“FastFire Mounts”, Burris Company, Inc., retrieved from <http://www.burrisoptics.com/mounting-systems/mounts-and-bases/fastfire-mounts> on Jul. 8, 2015, 2 pages.

“Picatinny Protector Mount”, Burris Company, Inc., retrieved from <http://www.burrisoptics.com/mounting-systems/mounts-and-bases/picatinny-protector-mount> on Jul. 8, 2015, 2 pages.

“Scope Tube FastFire Mount”, Burris Company, Inc., retrieved from <http://www.burrisoptics.com/mounting-systems/mounts-and-bases/scope-tube-fastfire-mounts> on Jul. 8, 2015, 2 pages.

“SpeedBead Mounts”, Burris Company, Inc., retrieved from <http://www.burrisoptics.com/mounting-systems/mounts-and-bases/speedbead-mounts> on Jul. 8, 2015, 3 pages.

“Trumount Universal Bases”, Burris Company, Inc., retrieved from <http://www.burrisoptics.com/mounting-systems/mounts-and-bases/trumount-universal-bases> on Jul. 8, 2015, 2 pages.

“Xtreme Tactical Bases”, Burris Company, Inc., retrieved from <http://www.burrisoptics.com/mounting-systems/mounts-and-bases/xtreme-tactical-bases> on Jul. 8, 2015, 2 pages.

\* cited by examiner

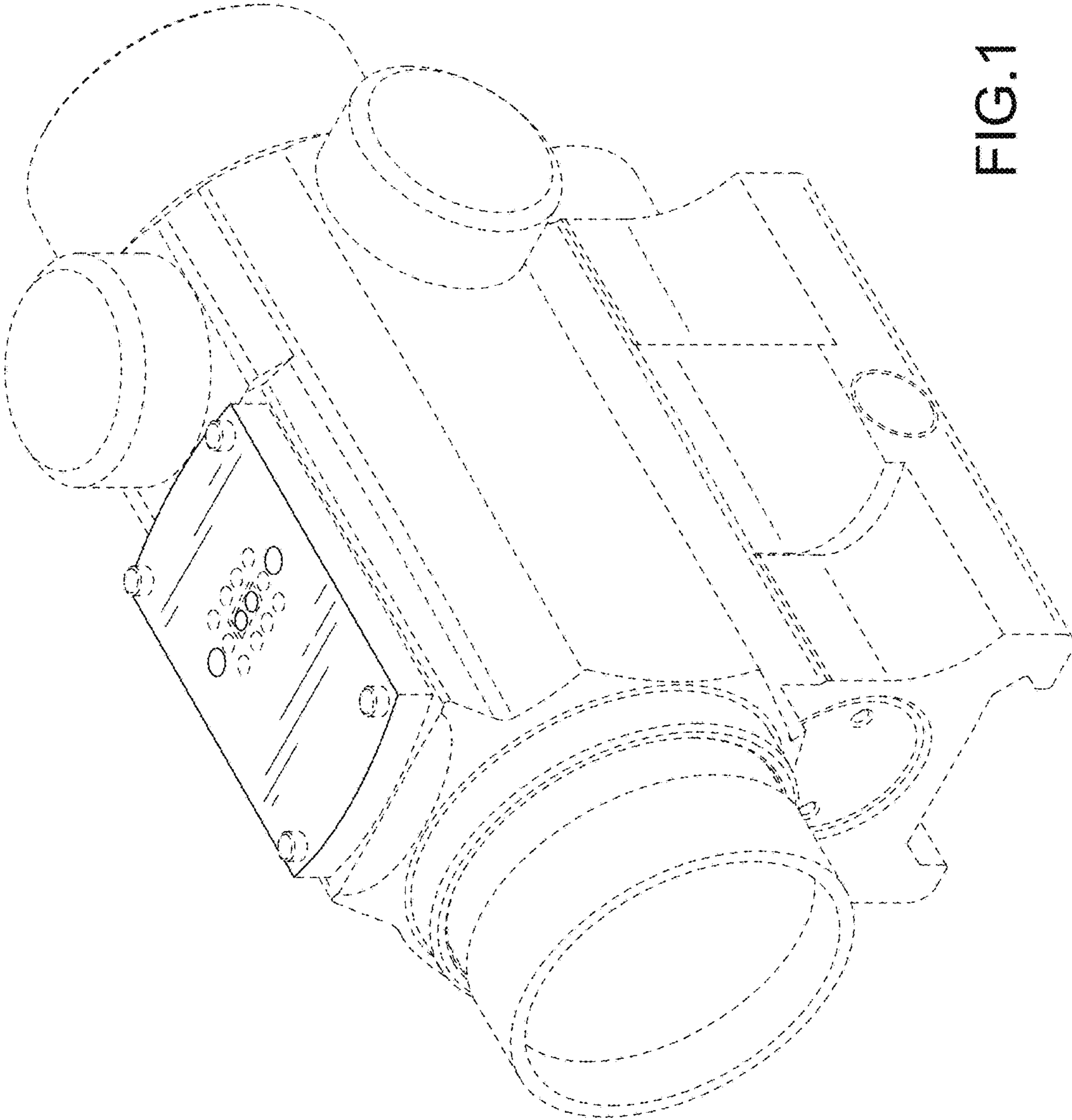


FIG.1

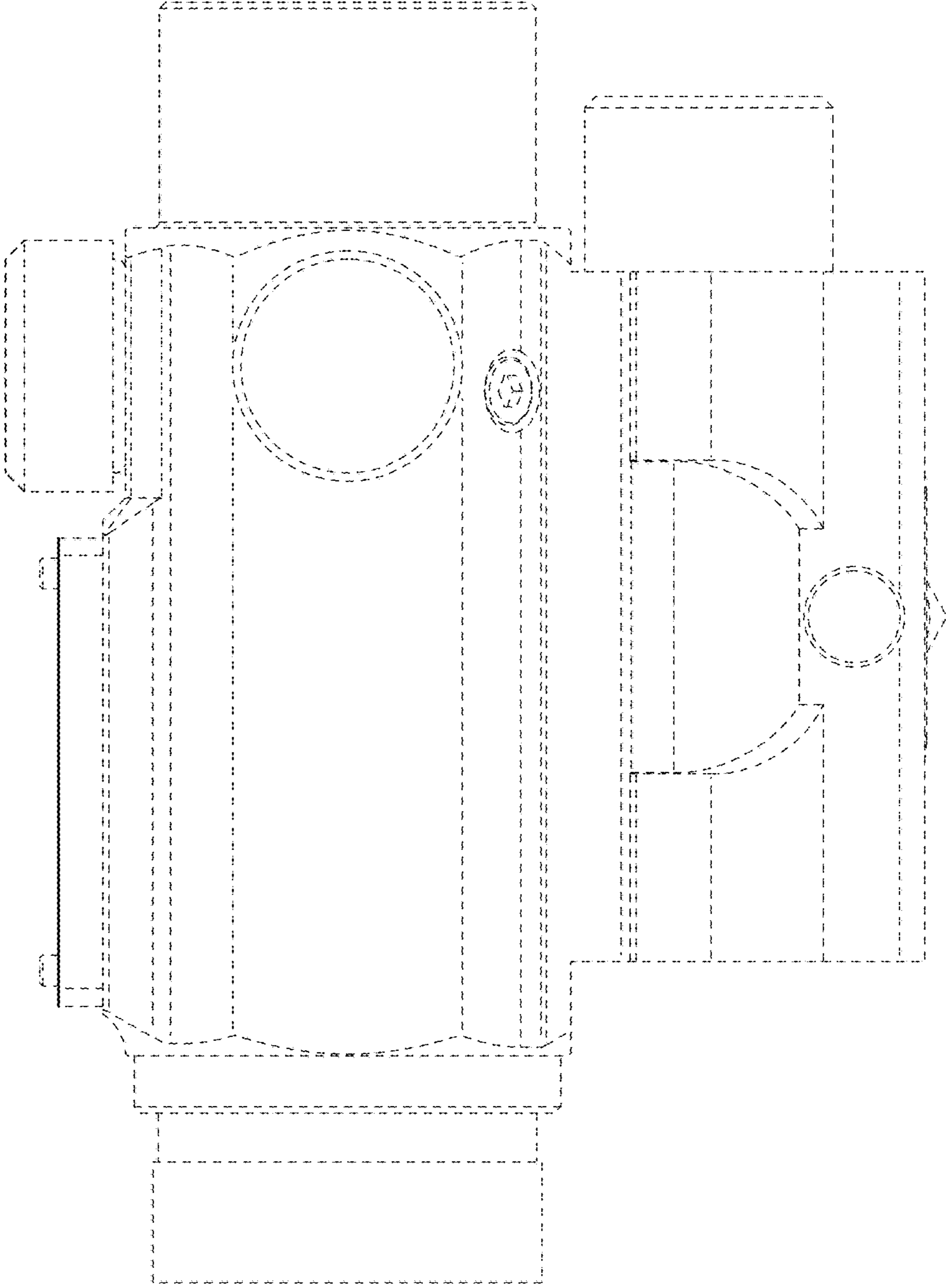


FIG. 2

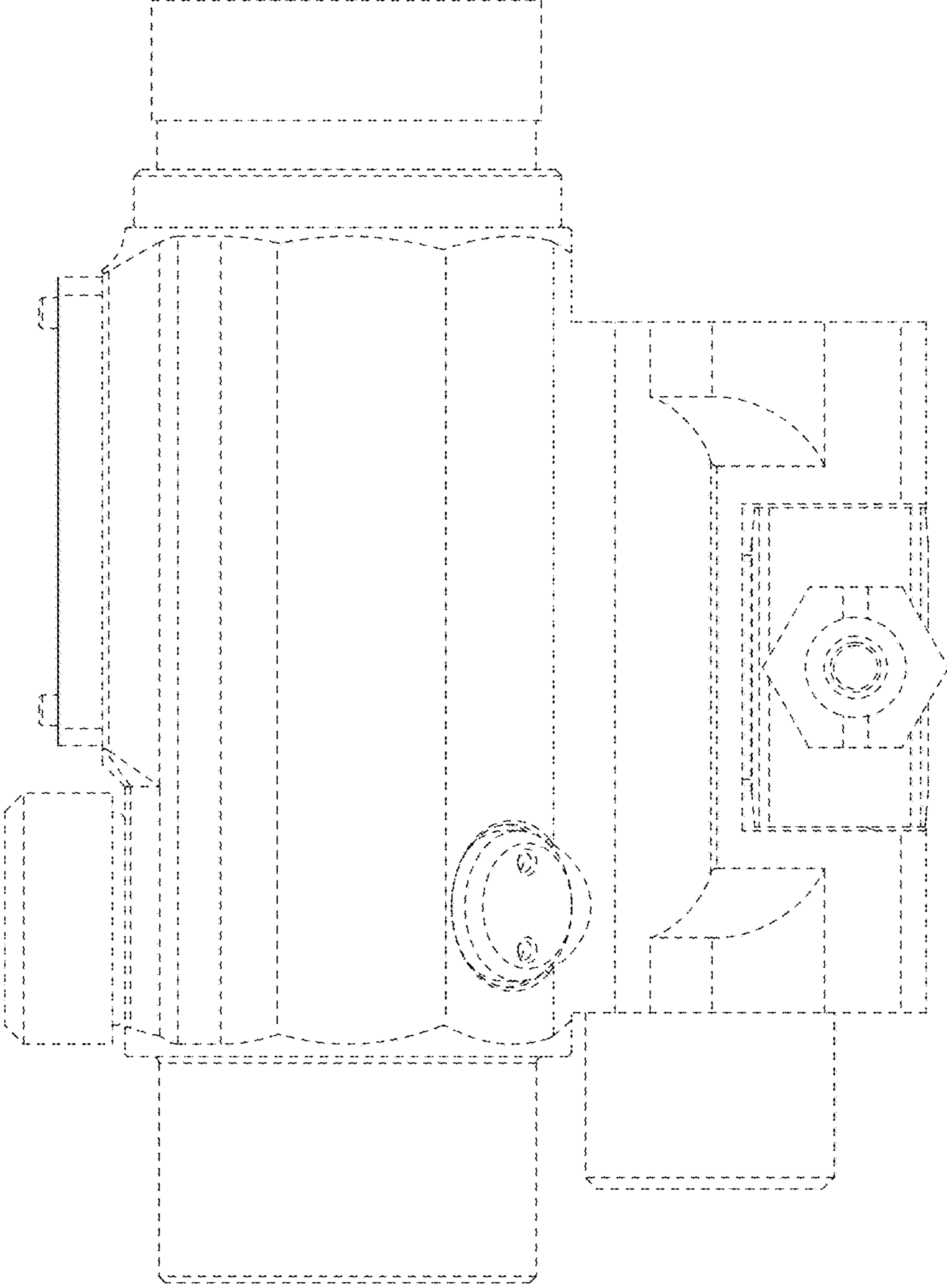


FIG.3

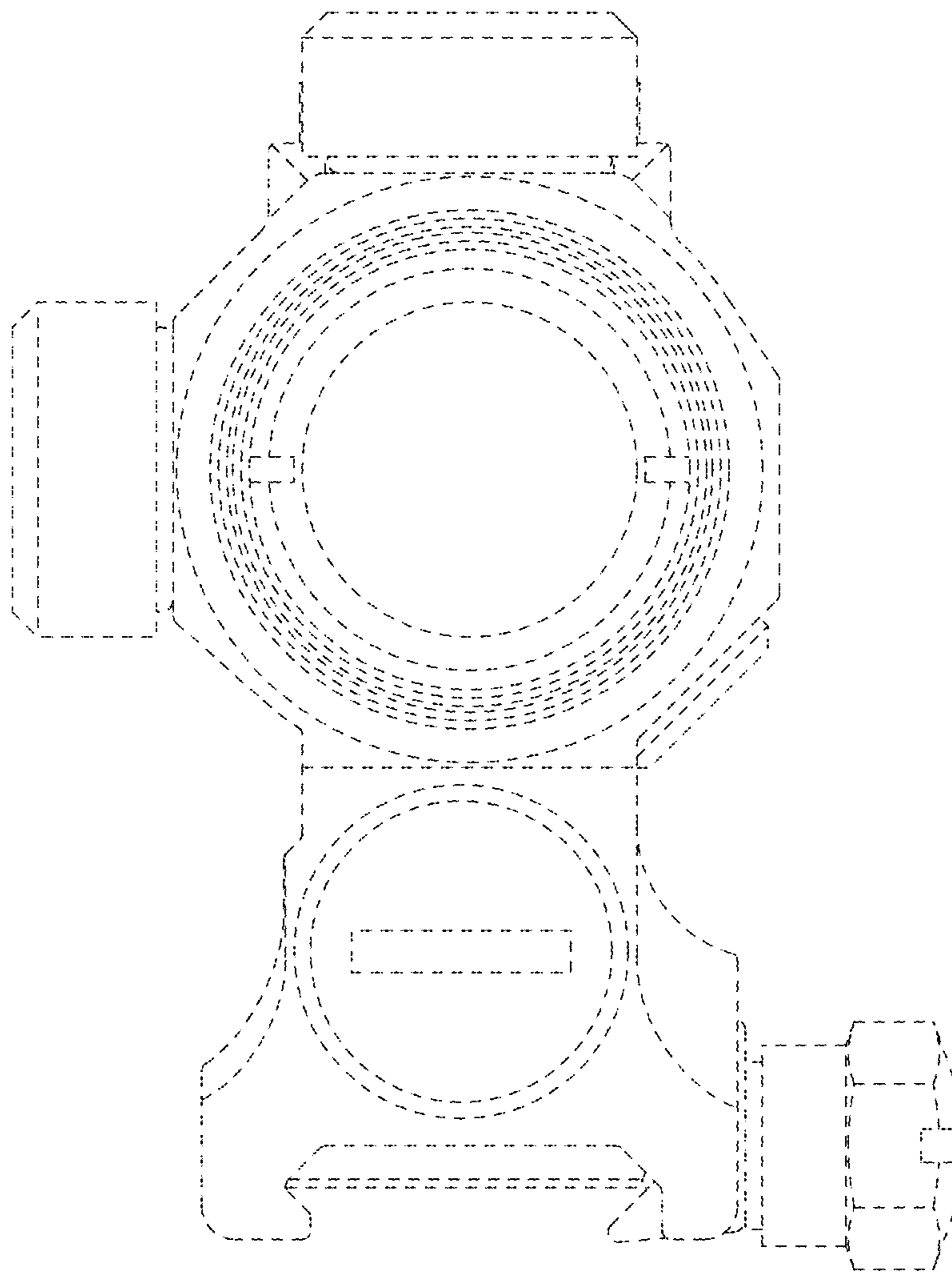


FIG.4

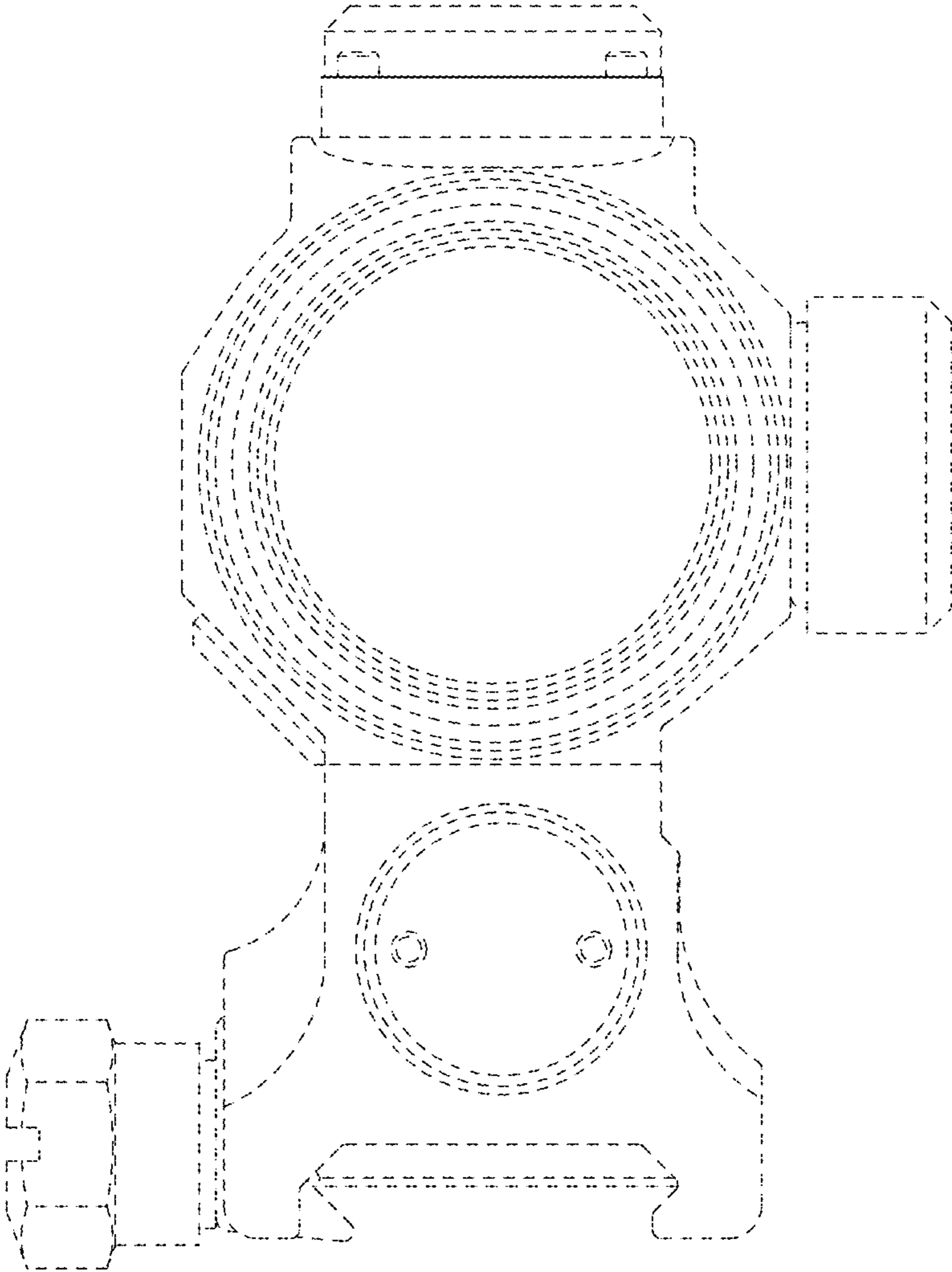


FIG.5

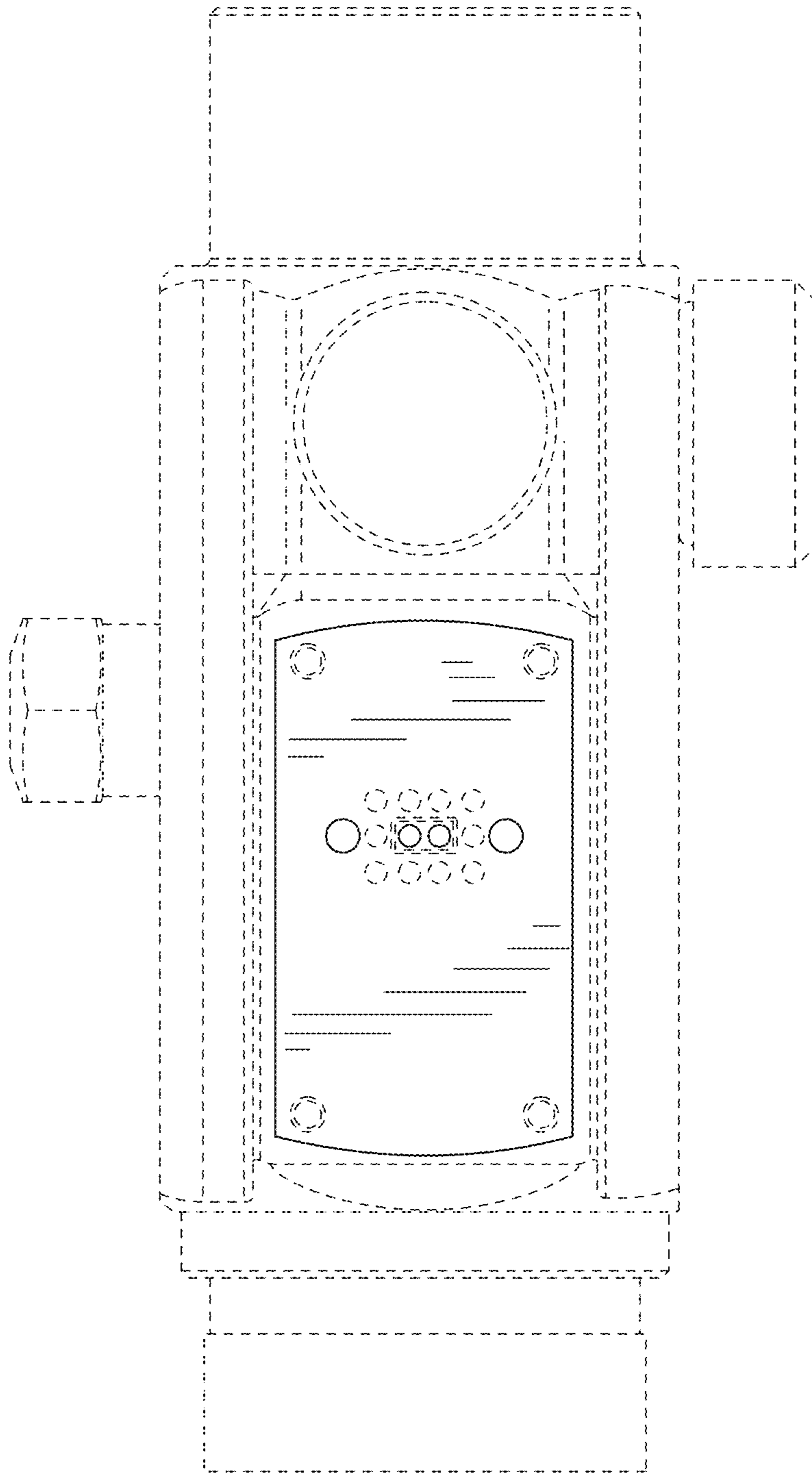


FIG. 6



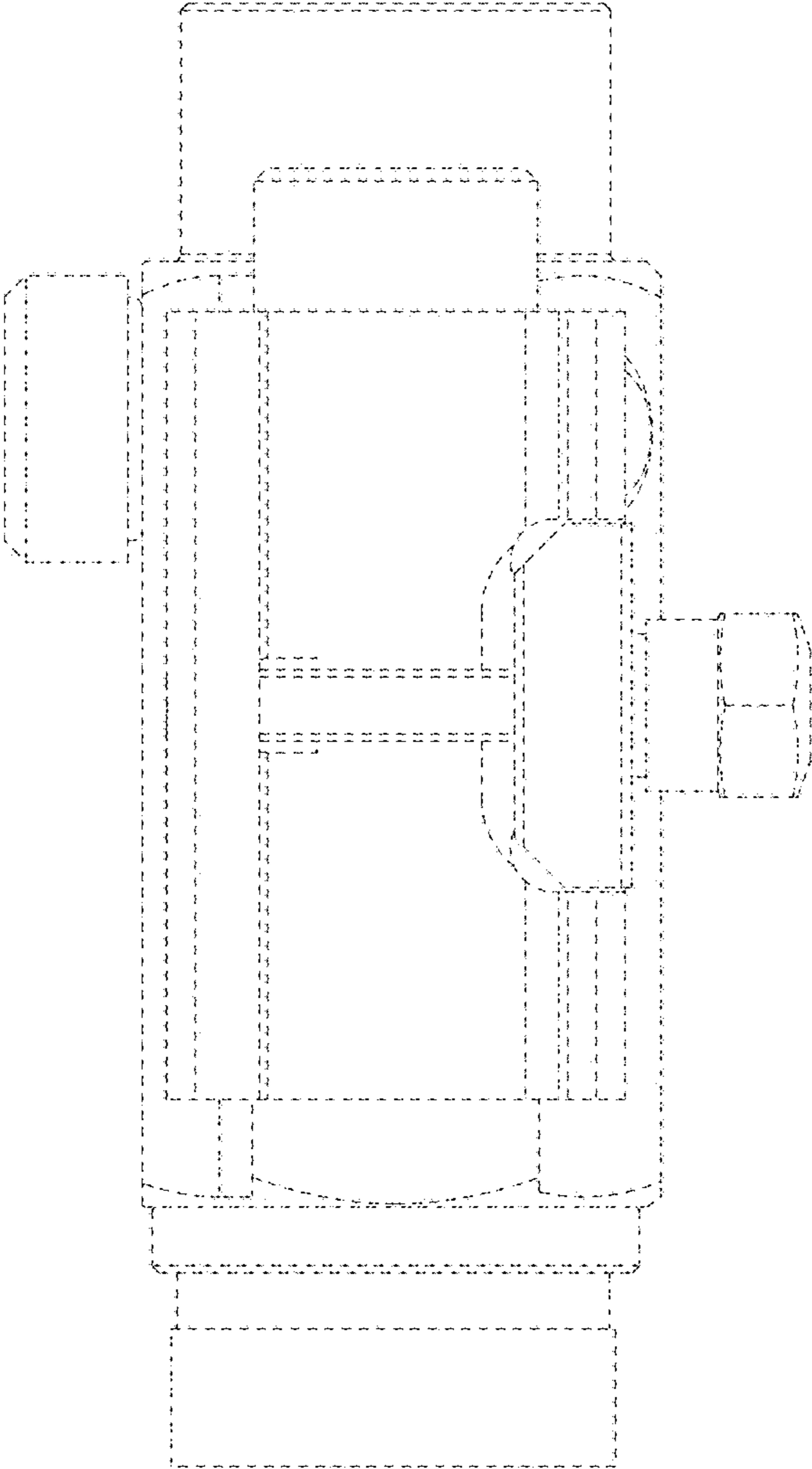


FIG.7