



US00D796936S

(12) **United States Design Patent**
Bakker et al.

(10) **Patent No.:** **US D796,936 S**

(45) **Date of Patent:** **** Sep. 12, 2017**

(54) **HINGE**

(71) Applicant: **Scranton Products, Inc.**, Scranton, PA
(US)

(72) Inventors: **Mitchell Ray Bakker**, Holland, MI
(US); **Michael A. Johnson**, West Olive,
MI (US)

(73) Assignee: **Scranton Products, Inc.**, Scranton, PA
(US)

(**) Term: **15 Years**

(21) Appl. No.: **29/538,564**

(22) Filed: **Sep. 4, 2015**

(51) **LOC (10) Cl.** **08-06**

(52) **U.S. Cl.**
USPC **D8/323**

(58) **Field of Classification Search**
USPC D8/323, 328; 16/387, 342, 337;
D23/323
CPC .. E05D 1/00; E05D 11/06; E05D 5/10; E05D
3/02; E05D 11/082; A47K 13/12
See application file for complete search history.

(56) **References Cited**

U.S. PATENT DOCUMENTS

1,259,358 A 3/1918 Carpenter
D299,419 S 1/1989 Takahashi

4,881,353 A 11/1989 Braendel et al.
D451,000 S * 11/2001 Karl D8/323
D557,104 S 12/2007 Forgeon
D645,725 S * 9/2011 Katz D8/323
D658,031 S * 4/2012 Mitchell D8/323
D719,011 S * 12/2014 Russo D8/323
D725,989 S 4/2015 Gompper
9,416,574 B2 * 8/2016 Mitchell E05D 7/0423
9,493,973 B2 * 11/2016 Mitchell E05D 7/0423

* cited by examiner

Primary Examiner — Cynthia Underwood

(74) *Attorney, Agent, or Firm* — Buchanan Ingersoll &
Rooney PC

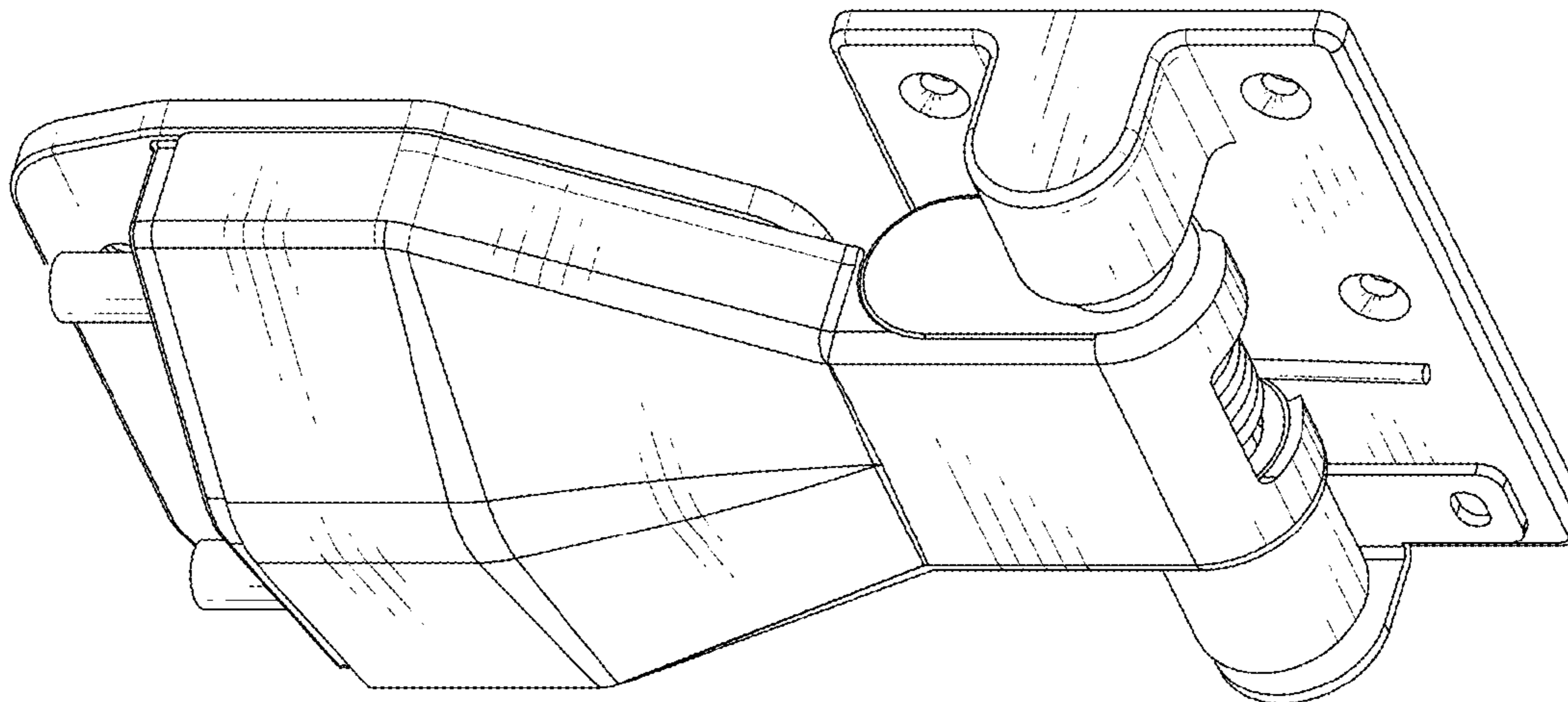
(57) **CLAIM**

The ornamental design for a hinge, as shown and described.

DESCRIPTION

FIG. 1 is a perspective view of our hinge;
FIG. 2 is a bottom view thereof,
FIG. 3 is a front view thereof;
FIG. 4 is a back view thereof;
FIG. 5 is a left side view thereof; and,
FIG. 6 is a right side view thereof.
The broken lines in FIGS. 1 through 4 and 6 illustrate
partially inserted screws and circular openings that form no
part of the claimed design.

1 Claim, 3 Drawing Sheets



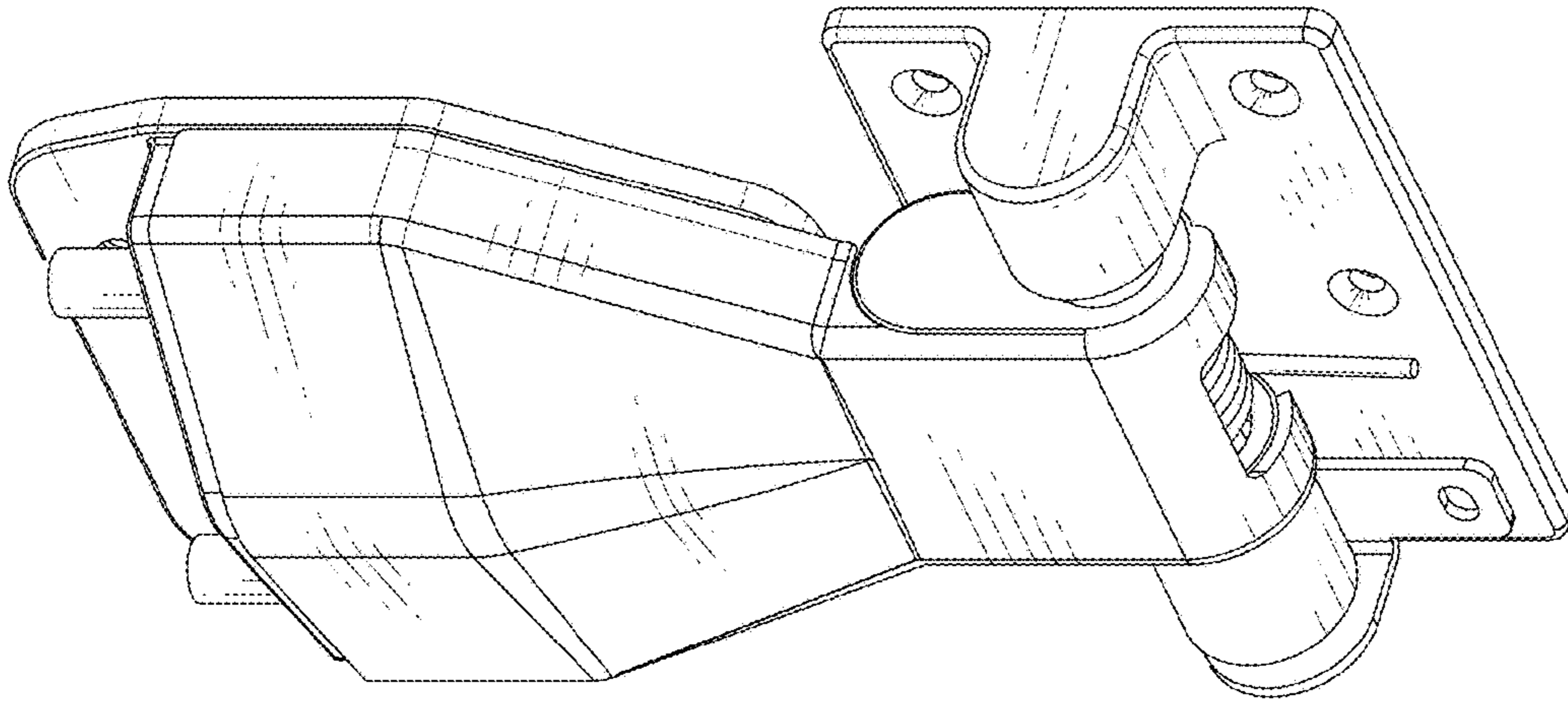


FIG. 1

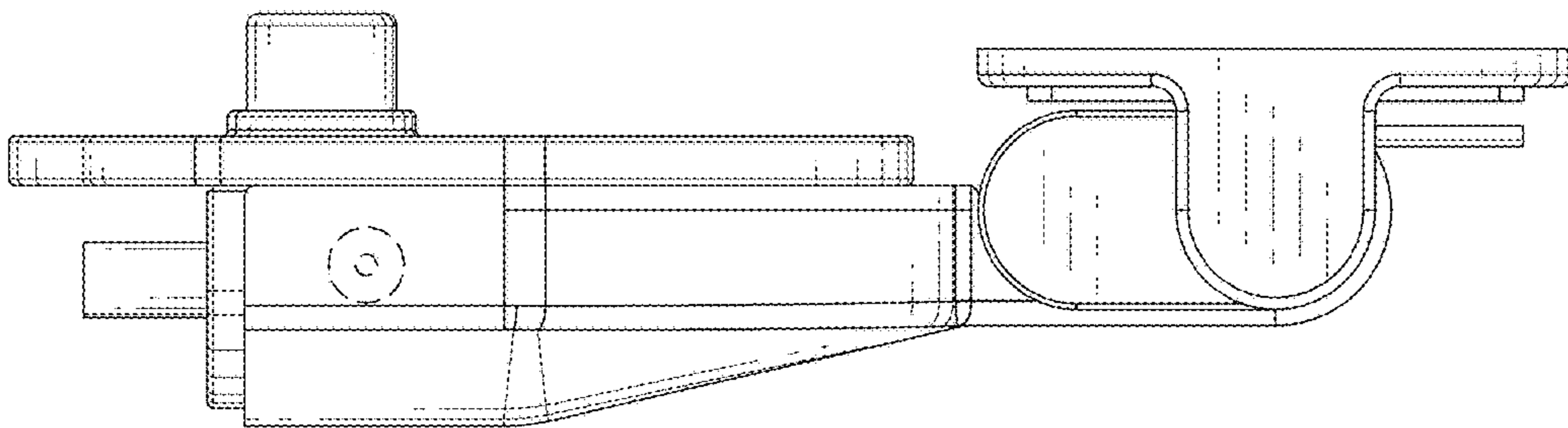


FIG. 2

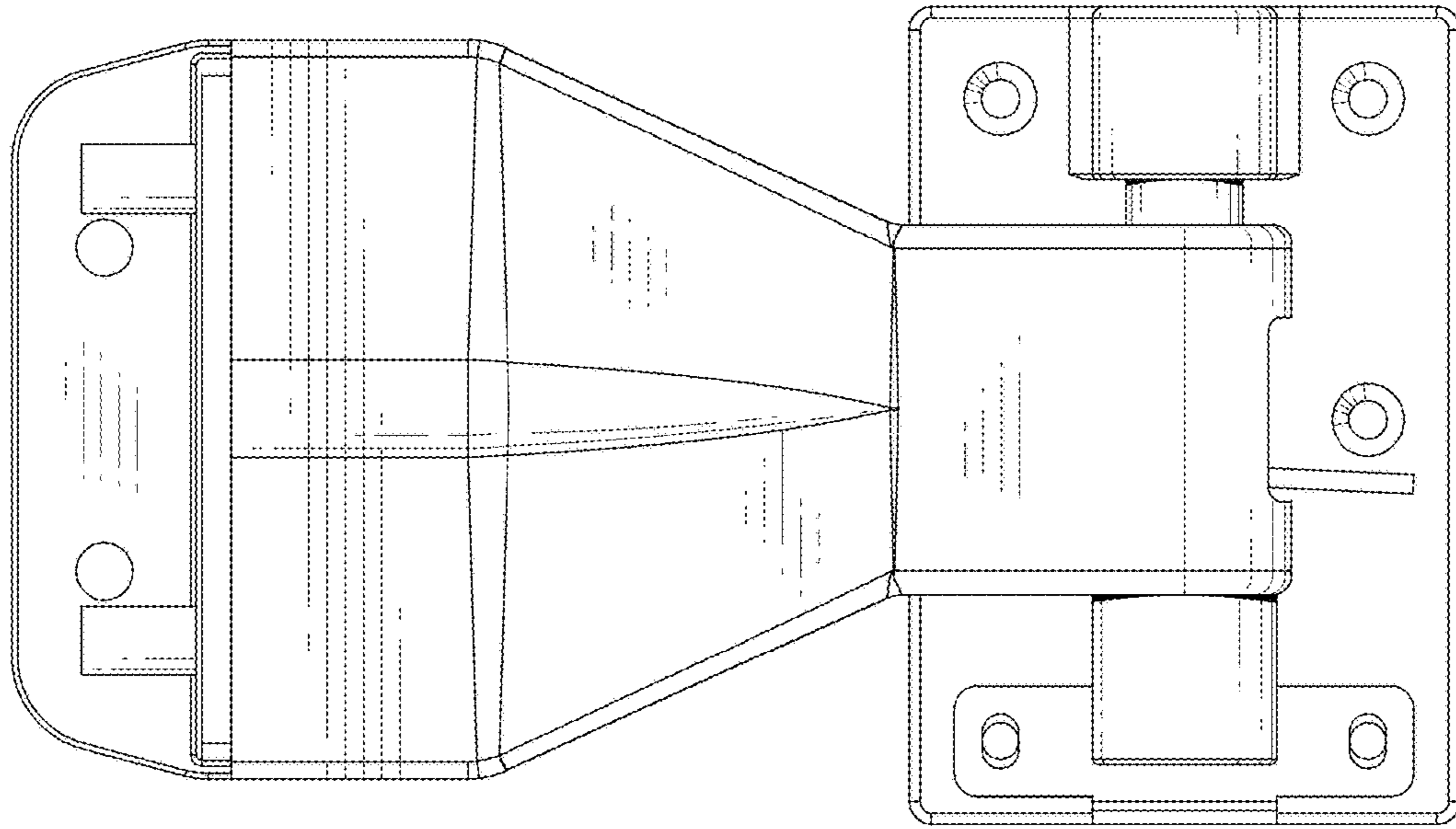


FIG. 3

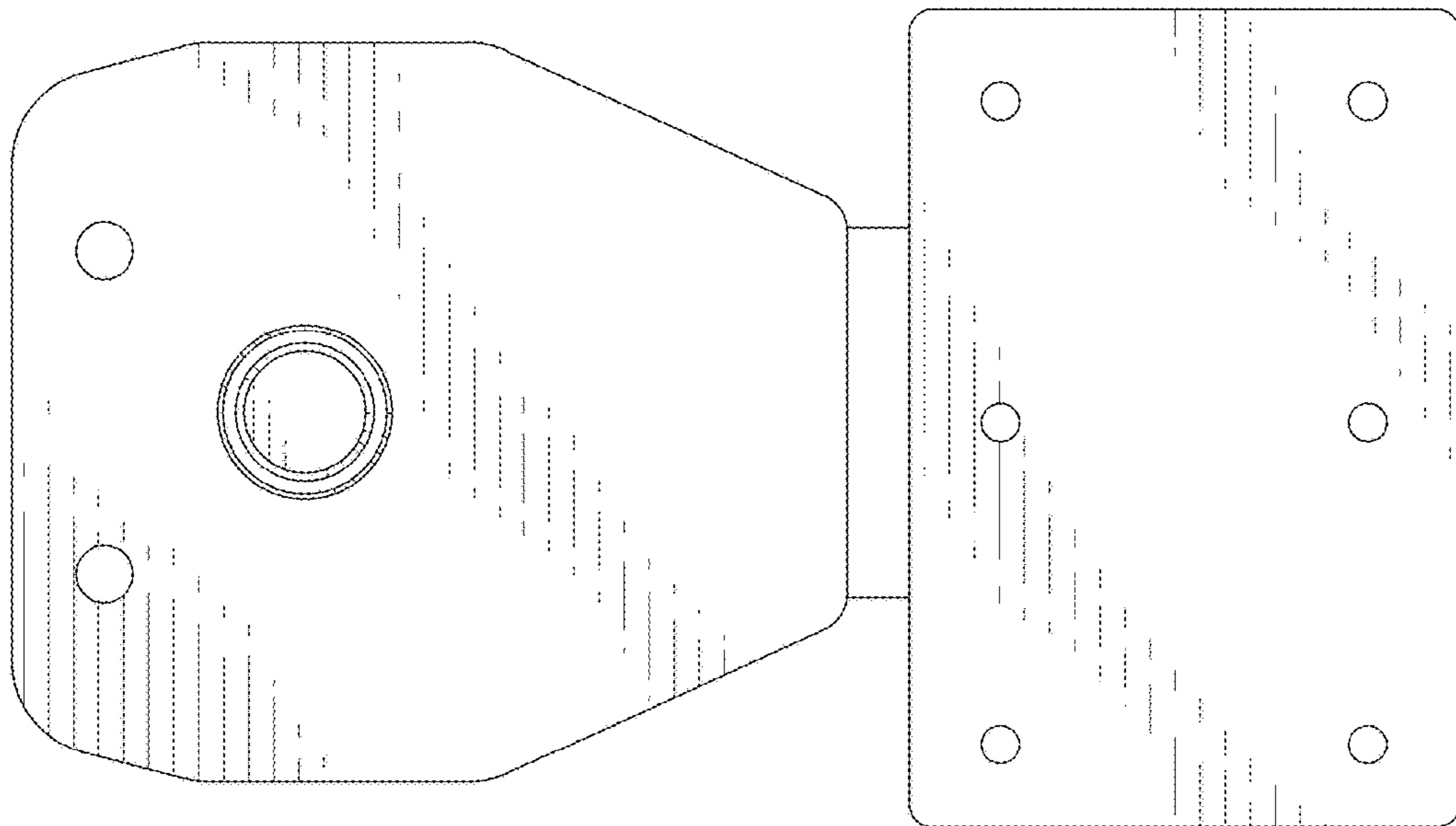


FIG. 4

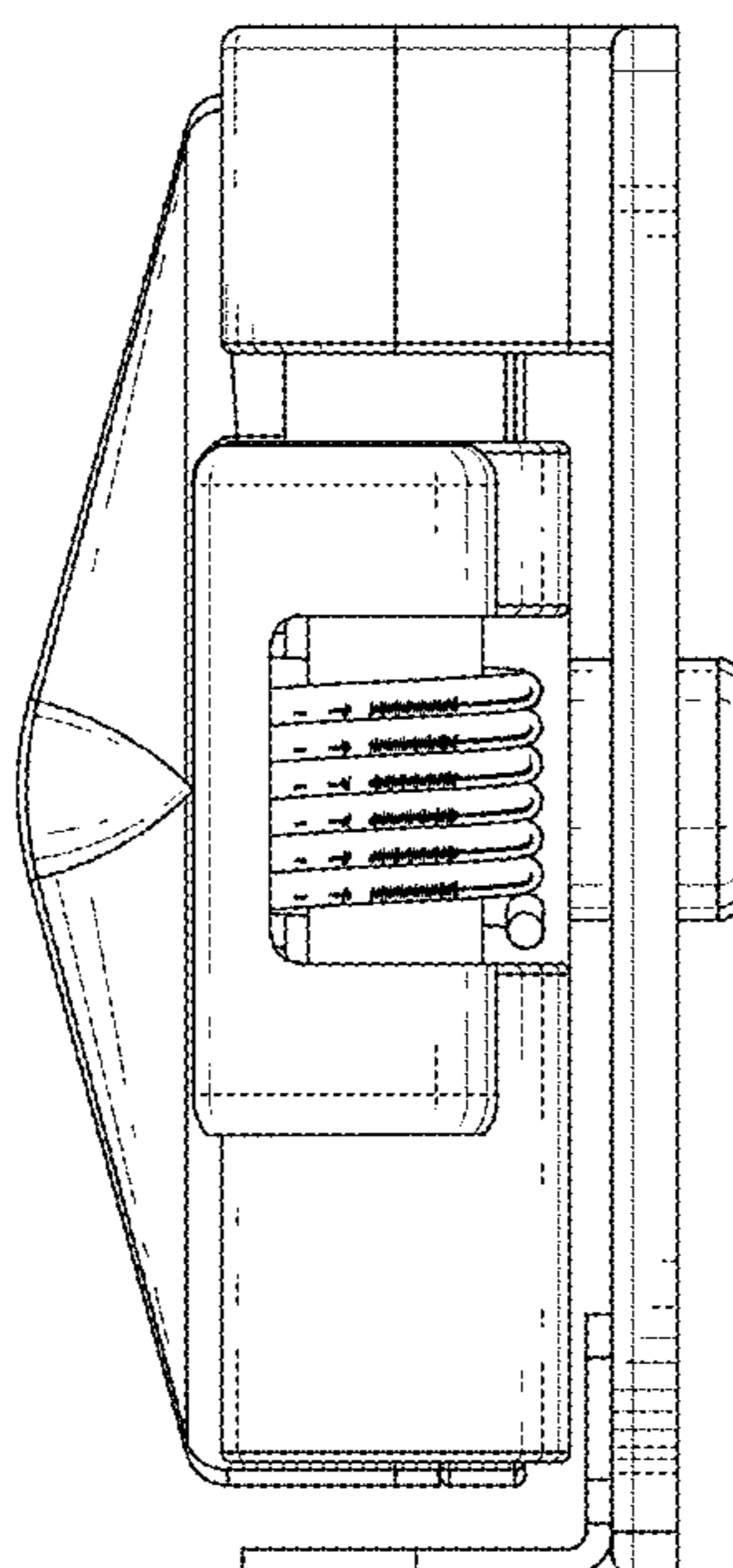


FIG. 5

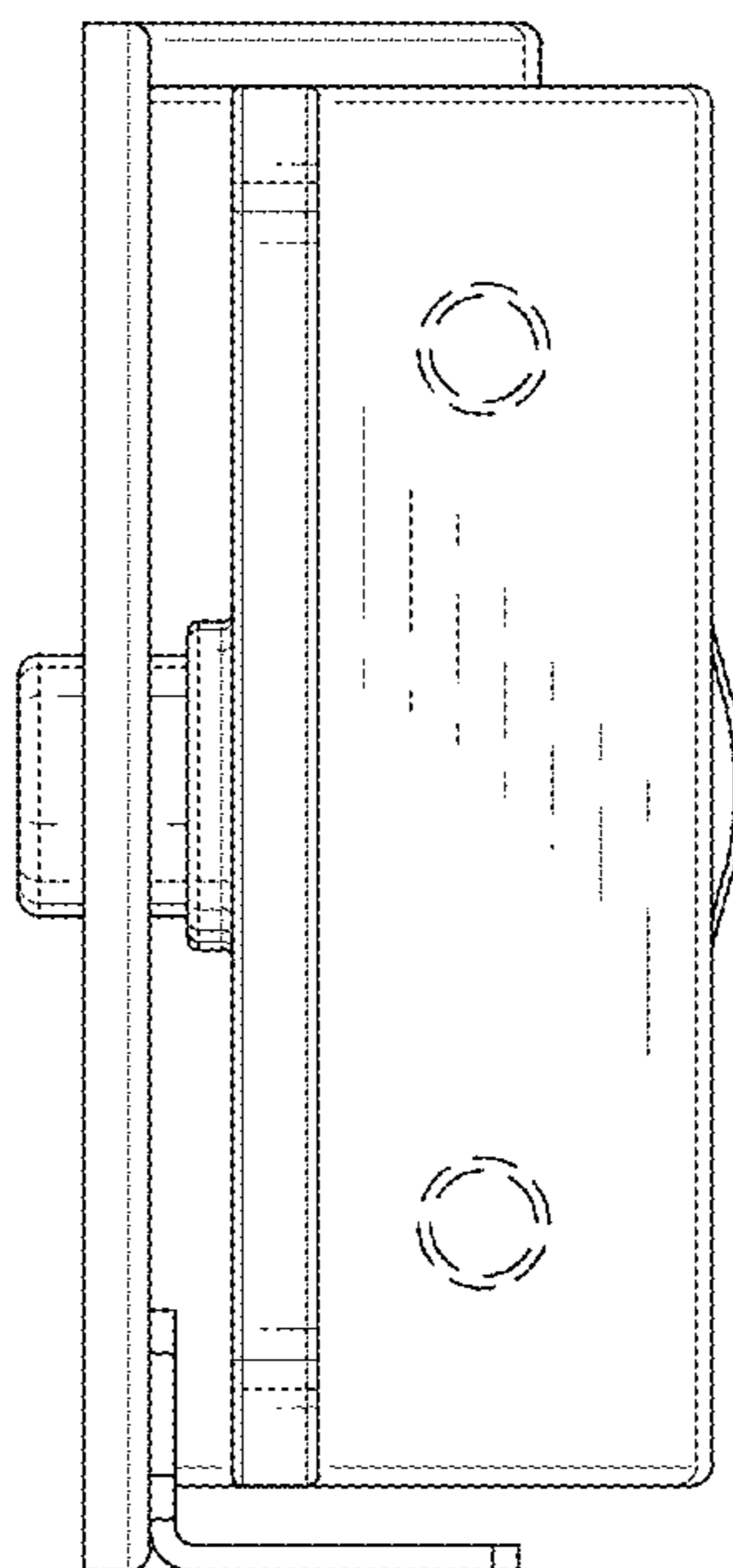


FIG. 6