



US00D796935S

(12) **United States Design Patent** (10) **Patent No.:** **US D796,935 S**
Groleski et al. (45) **Date of Patent:** **** Sep. 12, 2017**

(54) **SCROLL LEVER**

85/12; E05B 85/10; E05B 7/00; E05B 1/0053; E05B 77/265

(71) Applicant: **Schlage Lock Company LLC**, Indianapolis, IN (US)

See application file for complete search history.

(72) Inventors: **Autumn A. Groleski**, Noblesville, IN (US); **Minjoo A. Han**, Chantilly, VA (US)

(56) **References Cited**

U.S. PATENT DOCUMENTS

(73) Assignee: **Schlage Lock Company LLC**, Indianapolis, IN (US)

D83,156 S *	1/1931	Graff	D8/308
D83,247 S *	2/1931	Carlson	D8/308
D85,844 S *	12/1931	Schnell	D8/308
5,067,758 A *	11/1991	Fann	E05B 3/065 292/244
D328,852 S *	8/1992	Marques	D8/308
D329,008 S *	9/1992	Marques	D8/308
D329,009 S *	9/1992	Marques	D8/308
D363,872 S *	11/1995	Carsello	D8/308
D366,409 S *	1/1996	Delaske	D8/308
D435,423 S *	12/2000	Rodriguez	D8/308
D467,155 S *	12/2002	Underhill	D8/308

(**) Term: **15 Years**

(21) Appl. No.: **29/572,062**

(22) Filed: **Jul. 25, 2016**

(51) **LOC (10) Cl.** **08-06**

(52) **U.S. Cl.**
USPC **D8/308**

(58) **Field of Classification Search**
USPC D8/300-302, 307-309, 310, 311, D8/DIG. 10; D23/250, 252; 292/336.3; 74/523, 543; 70/192, 201, 206, 207; 16/110.1, 412, 416, DIG. 30
CPC Y10T 16/44; Y10T 74/20612; Y10T 74/20732; Y10T 16/458; Y10T 16/498; Y10T 16/469; Y10T 16/476; Y10T 74/20744; Y10T 74/20864; Y10T 16/4628; Y10T 74/20642; Y10T 16/473; Y10T 74/20762; Y10T 74/2042; Y10T 74/20828; Y10T 16/459; Y10T 16/4713; Y10T 74/2014; Y10T 16/50; Y10T 74/20438; Y10T 74/20582; Y10T 74/20738; Y10T 16/48; Y10T 74/20618; Y10T 74/20684; Y10T 74/20624; Y10T 74/20468; Y10T 16/61; Y10T 16/4719; Y10T 16/86; Y10S 16/30; Y10S 292/31; Y10S 292/53; Y10S 16/12; Y10S 292/23; Y10S 292/27; Y10S 292/30; Y10S 292/63; E05B 85/16; E05B 1/0015; E05B 77/06; E05B 79/06; E05B 85/18; E05B

(Continued)

Primary Examiner — Ian Simmons

Assistant Examiner — Lauren Calve

(74) *Attorney, Agent, or Firm* — Taft Stettinius & Hollister LLP

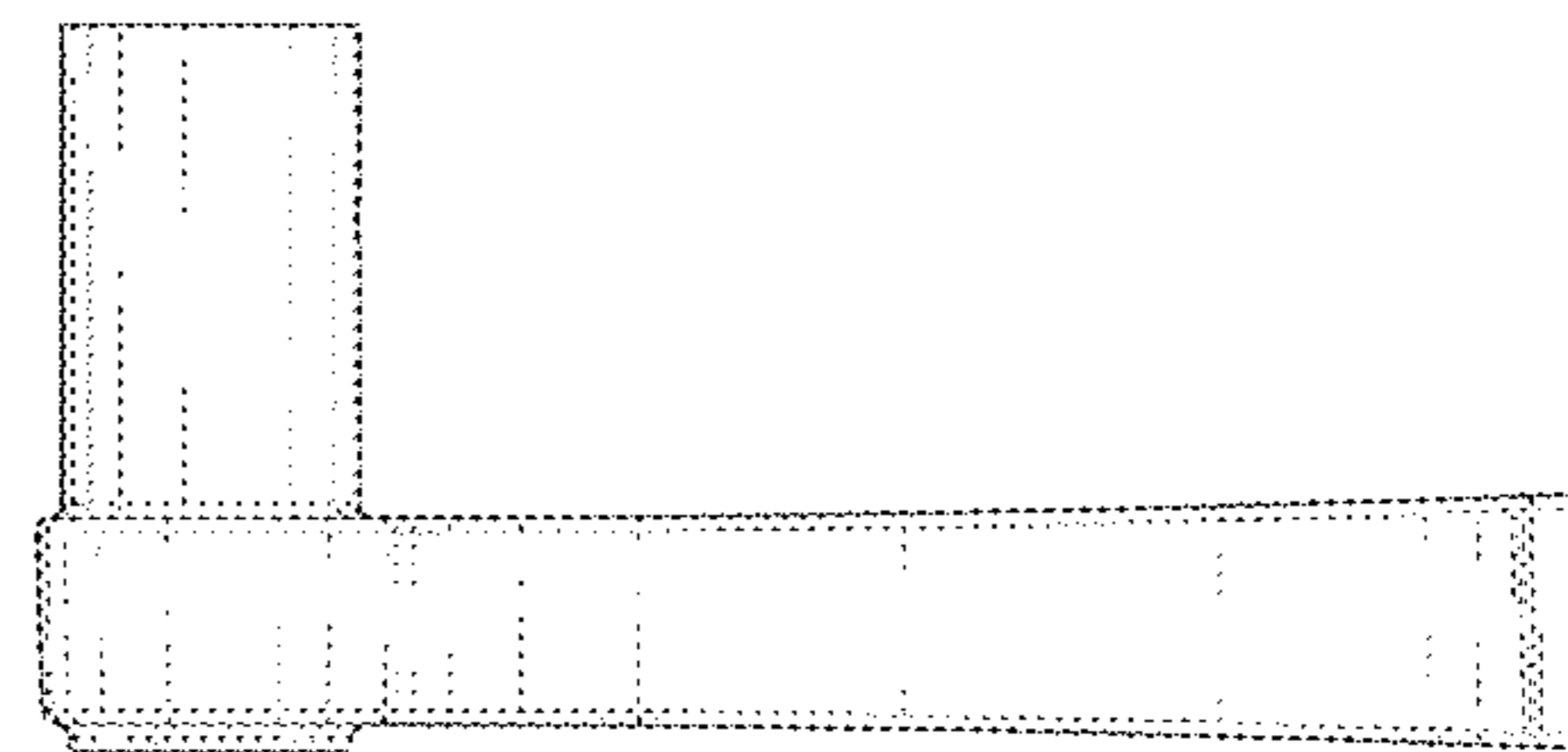
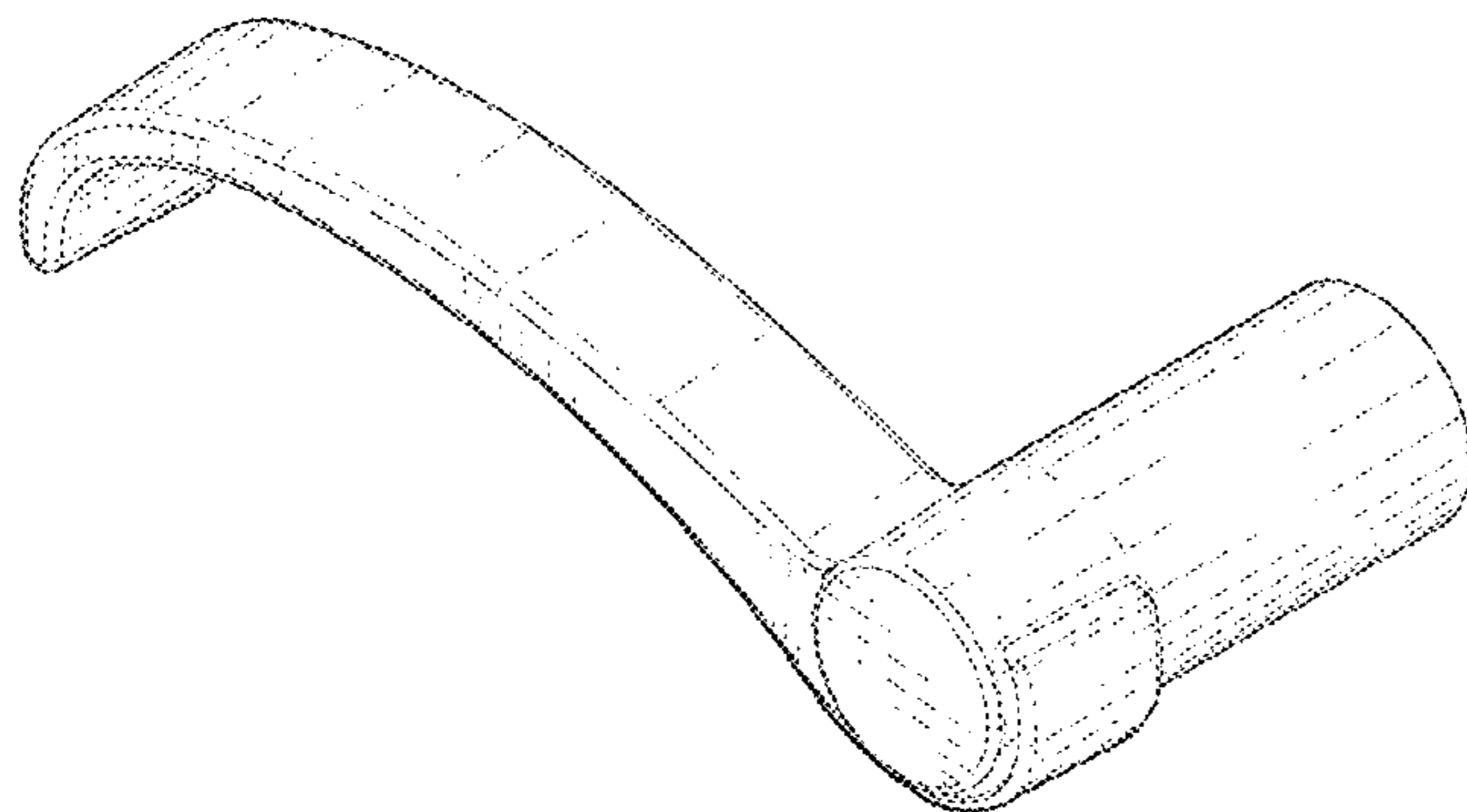
(57) **CLAIM**

The ornamental design for a scroll lever, as shown and described.

DESCRIPTION

FIG. 1 is a top, right, front perspective view of a scroll lever showing our new design;
FIG. 2 is a top, left, rear perspective view thereof;
FIG. 3 is a front elevational view thereof;
FIG. 4 is a top plan view thereof;
FIG. 5 is a right side elevational view thereof;
FIG. 6 is a left side elevational view thereof;
FIG. 7 is a rear elevational view thereof; and,
FIG. 8 is a bottom plan view thereof.
The broken lines in the drawings depict unclaimed subject matter forming no part of the claimed design.

1 Claim, 5 Drawing Sheets



(56)

References Cited

U.S. PATENT DOCUMENTS

D519,020	S	*	4/2006	Gorkovenko	D8/307
D519,021	S	*	4/2006	Boulware	D8/301
D522,103	S	*	5/2006	Hoernig	D23/252
D523,937	S	*	6/2006	Schaffeld	D23/252
D541,621	S	*	5/2007	Schneider	D8/308
D579,304	S	*	10/2008	Singtoroj	D8/308
D583,910	S	*	12/2008	Hoernig	D23/250
D660,943	S	*	5/2012	Georgeson	D23/252
D718,112	S	*	11/2014	Shiu	D8/308
D730,147	S	*	5/2015	Wu	D8/308
D735,014	S	*	7/2015	Groleski	D8/308
2008/0111384	A1	*	5/2008	Ellis	E05B 3/065 292/336.3

* cited by examiner

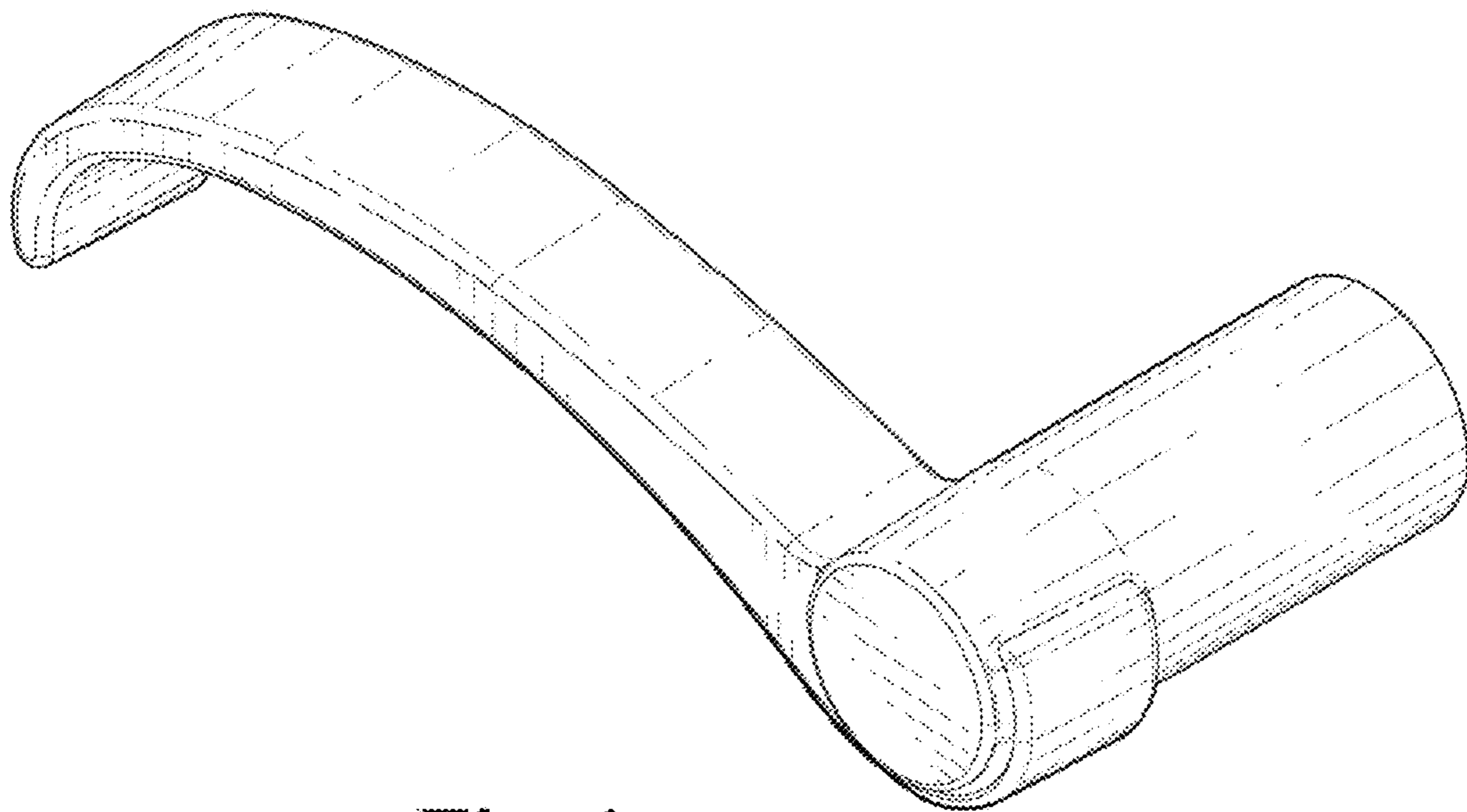


Fig. 1

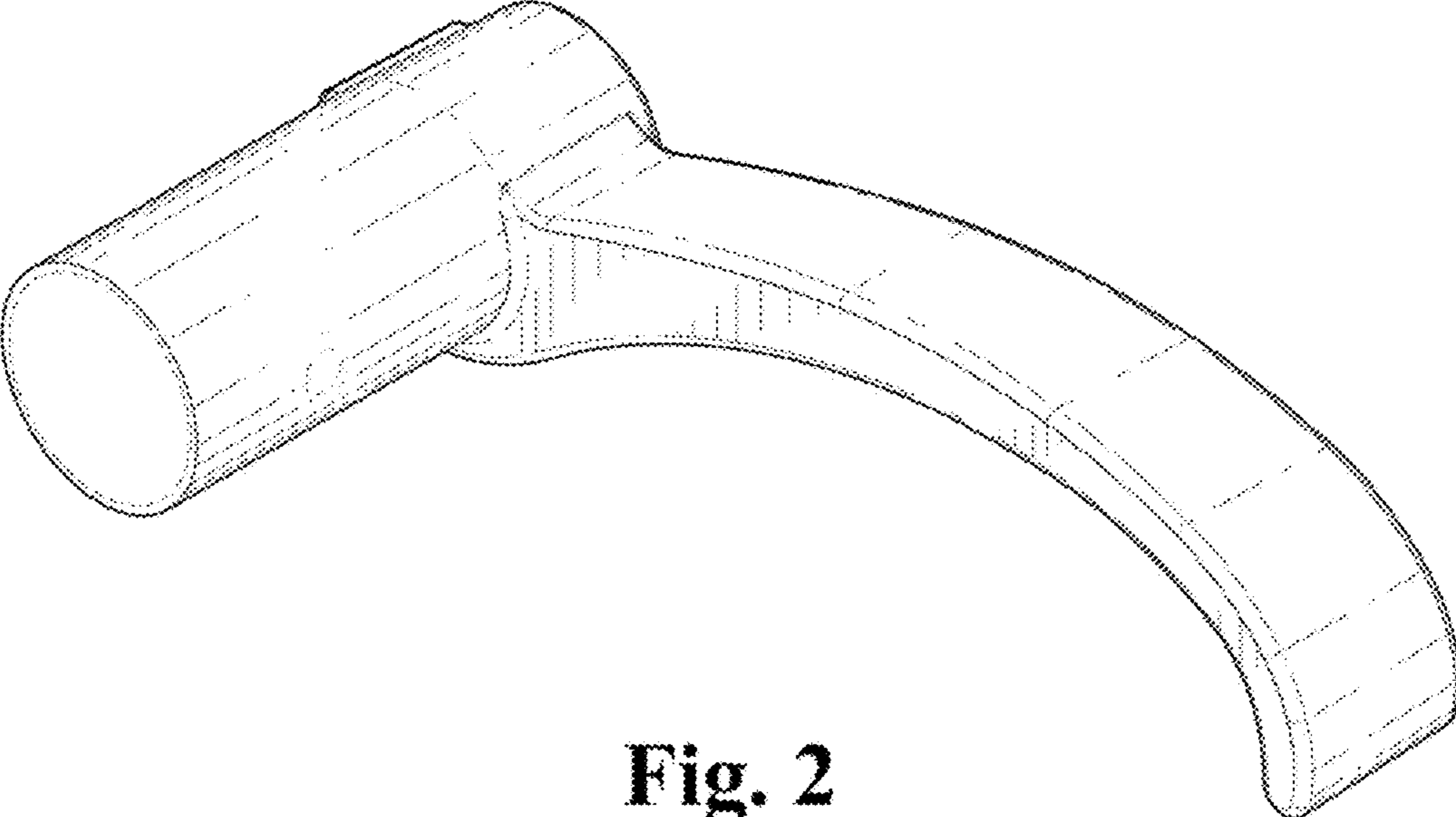


Fig. 2

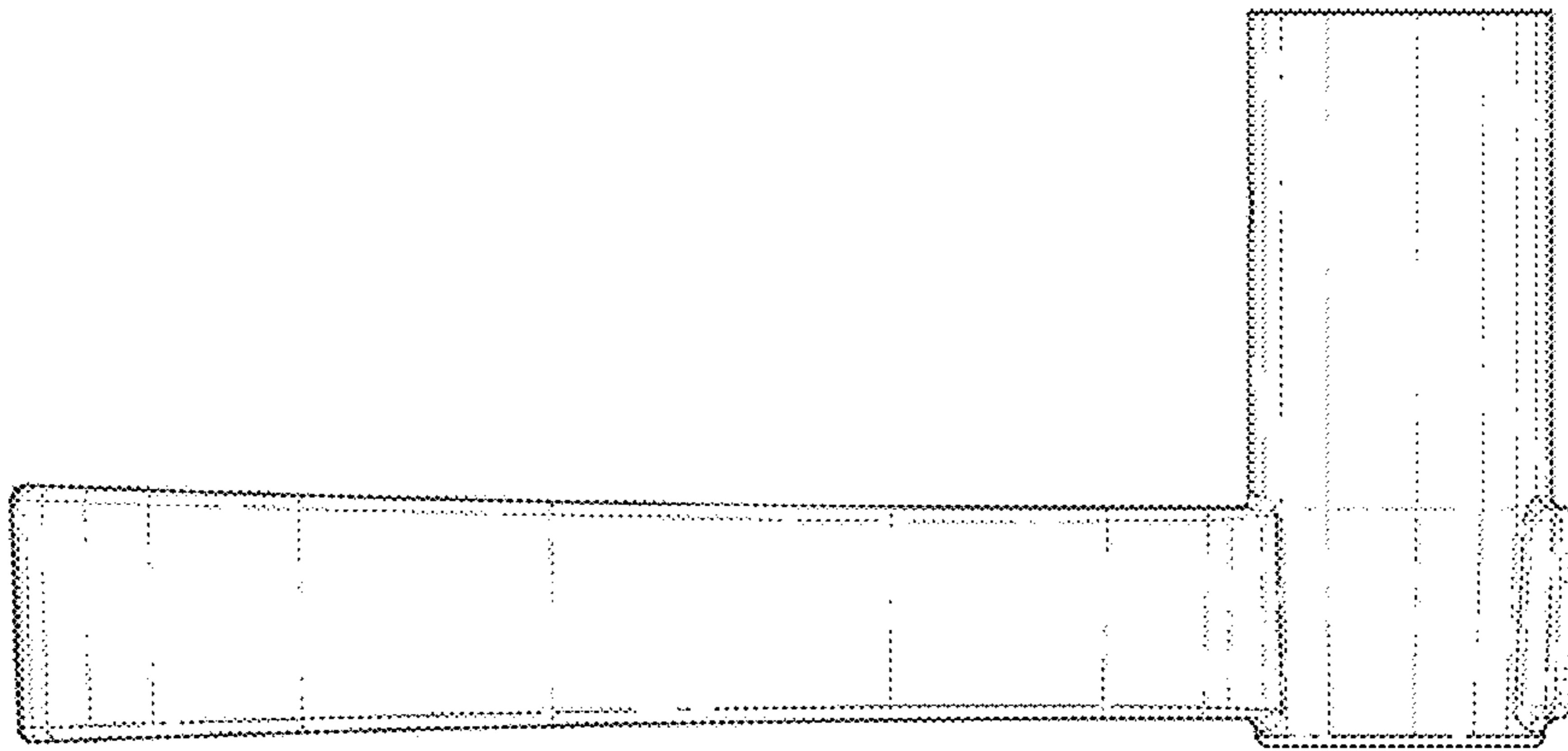


Fig. 4

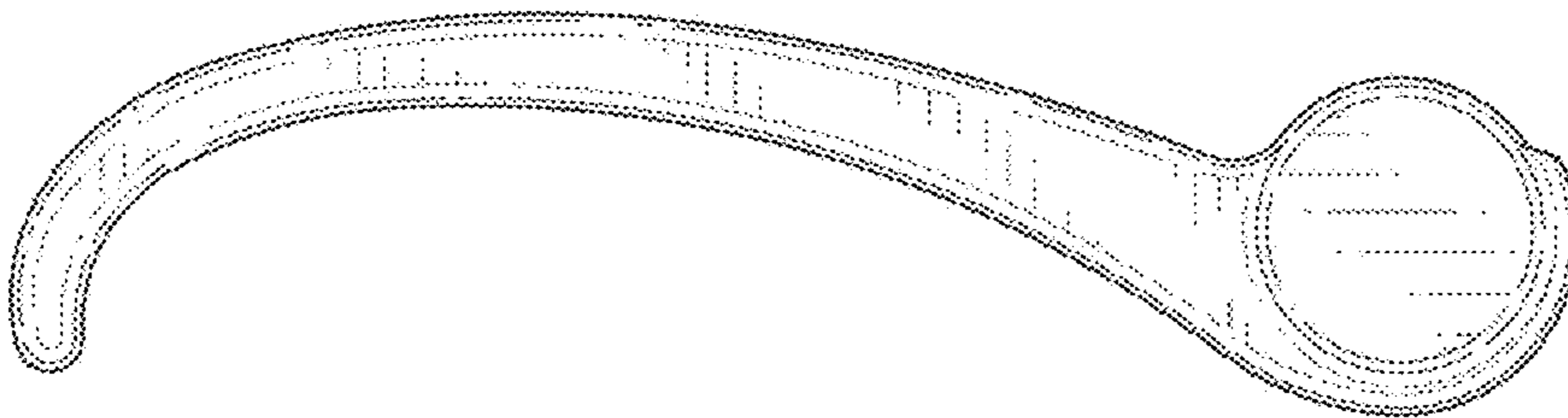


Fig. 3

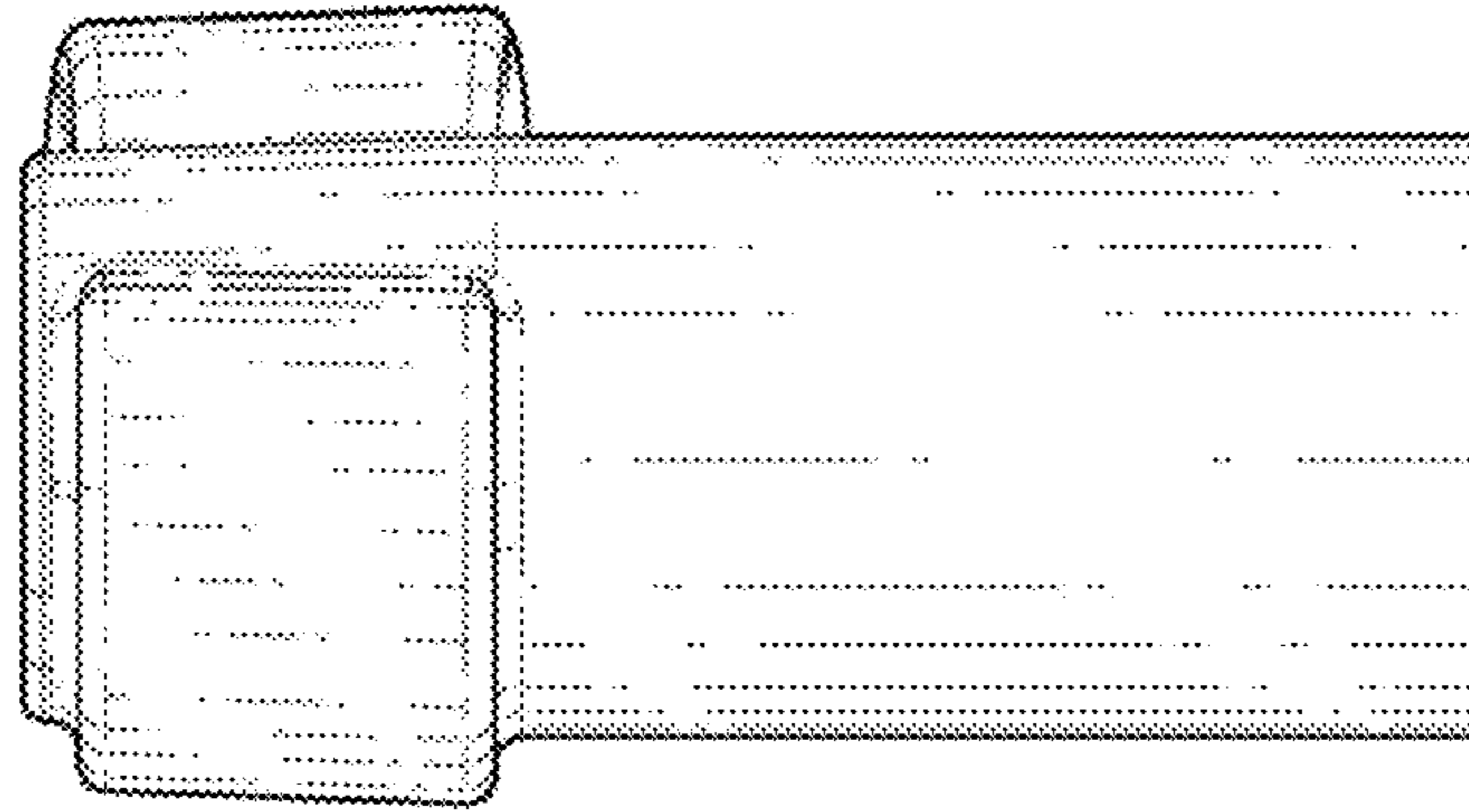


Fig. 5

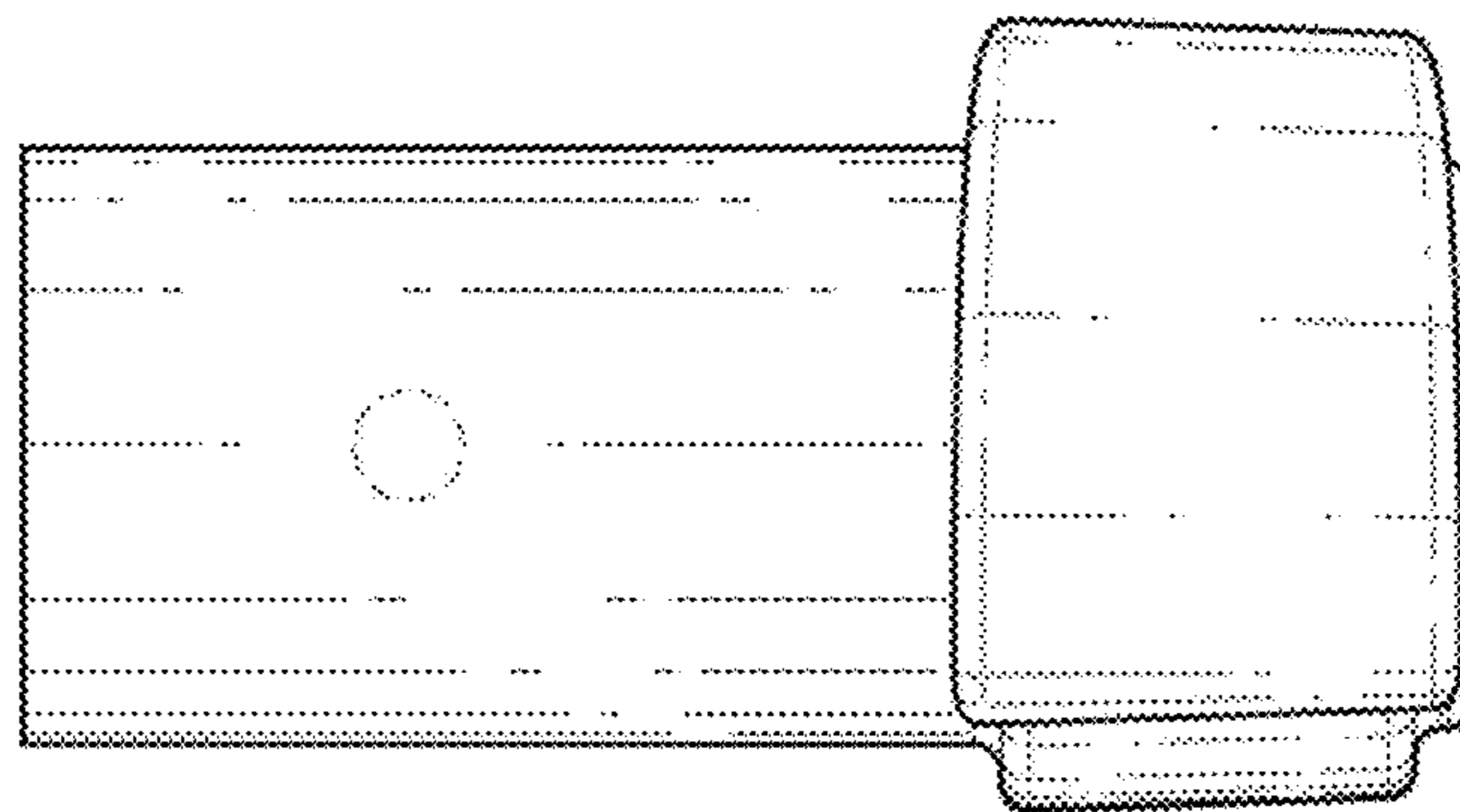


Fig. 6

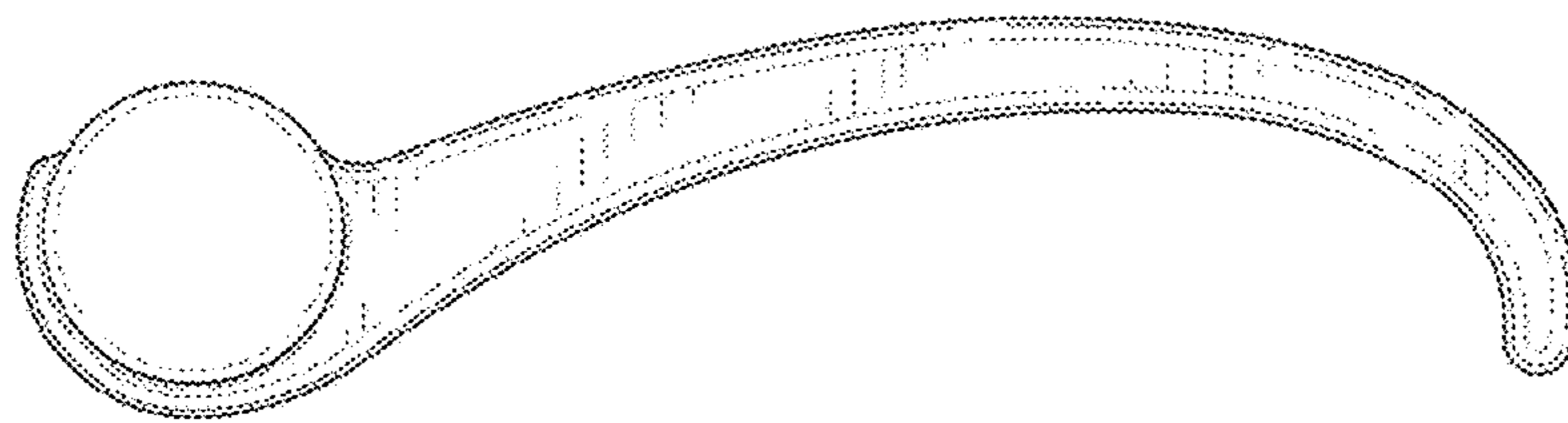


Fig. 7

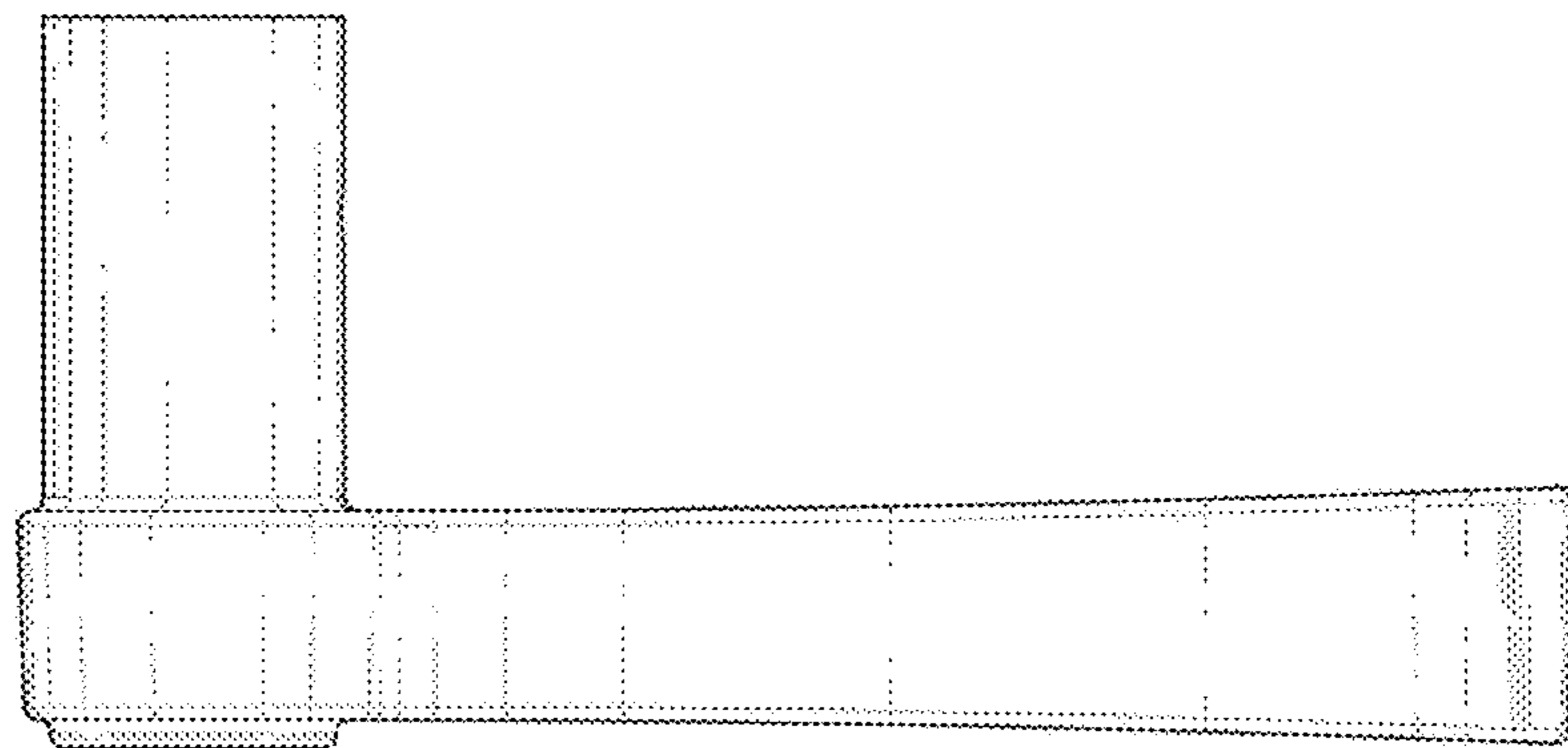


Fig. 8