



US00D796932S

(12) **United States Design Patent** (10) **Patent No.:** **US D796,932 S**  
**Sung** (45) **Date of Patent:** **\*\* Sep. 12, 2017**

(54) **RETRACTABLE KNIFE**

(71) Applicant: **Sam Sung**, West Covina, CA (US)

(72) Inventor: **Sam Sung**, West Covina, CA (US)

(\*\*) Term: **15 Years**

(21) Appl. No.: **29/567,004**

(22) Filed: **Jun. 3, 2016**

(51) **LOC (10) Cl.** ..... **08-03**

(52) **U.S. Cl.**  
USPC ..... **D8/99**

(58) **Field of Classification Search**

USPC ..... D8/51, 98, 99, 100, 105, 107; D22/118  
CPC .... B26B 1/00; B26B 1/02; B26B 1/08; B26B  
1/04; B26B 1/042; B26B 1/048; B26B  
1/06; B26B 1/10; B26B 5/00; B26B  
5/001

See application file for complete search history.

(56) **References Cited**

**U.S. PATENT DOCUMENTS**

D397,017 S *	8/1998	Pardue	.....	D8/99
6,085,423 A *	7/2000	Marifone	.....	B26B 1/08 30/151
D510,514 S *	10/2005	Ray	.....	D8/99
7,305,769 B2 *	12/2007	McHenry	.....	B26B 1/08 30/162
D560,994 S *	2/2008	Green	.....	D8/99
7,797,838 B2 *	9/2010	Chu	.....	B26B 1/08 30/151
D666,887 S *	9/2012	Wattenberg	.....	D8/99
8,595,941 B2 *	12/2013	Lee	.....	B26B 1/08 30/151
9,498,889 B1 *	11/2016	Hawk	.....	B26B 1/08
2007/0175045 A1 *	8/2007	McHenry	.....	B26B 1/08 30/162
2009/0235534 A1 *	9/2009	Chu	.....	B26B 1/08 30/162

**OTHER PUBLICATIONS**

Delta Force Coffin OTF knife, found on K4 Wholesale.com, no date.\*

\* cited by examiner

*Primary Examiner* — Phillip S Hyder

(74) *Attorney, Agent, or Firm* — Che-Yang Chen; Law Offices of Scott Warmuth

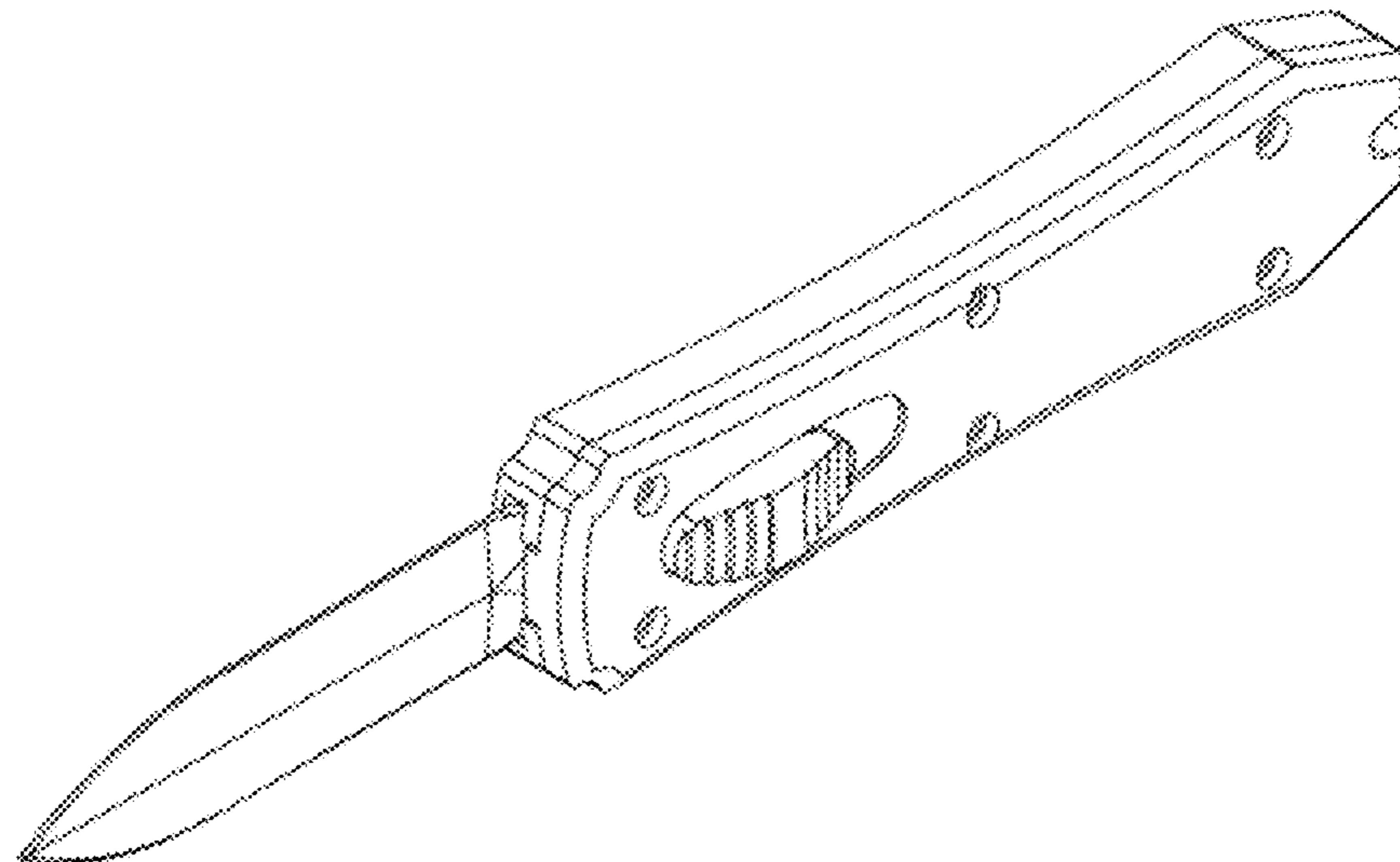
(57) **CLAIM**

The ornamental design for a retractable knife, as shown and described.

**DESCRIPTION**

FIG. 1 is a perspective view of a retractable knife showing my new design;  
FIG. 2 is a front elevational view thereof;  
FIG. 3 is a rear elevational view thereof;  
FIG. 4 is a left side elevational view thereof;  
FIG. 5 is a right side elevational view thereof;  
FIG. 6 is a top plan view thereof;  
FIG. 7 is a bottom plan view thereof;  
FIG. 8 is a front elevational view of the retractable knife when the blade is received in the handle portion;  
FIG. 9 is a rear elevational view of the retractable knife when the blade is received in the handle portion;  
FIG. 10 is a left side elevational view of the retractable knife when the blade is received in the handle portion;  
FIG. 11 is a right side elevational view of the retractable knife when the blade is received in the handle portion;  
FIG. 12 is a top plan view of the retractable knife when the blade is received in the handle portion; and,  
FIG. 13 is a bottom plan view of the retractable knife when the blade is received in the handle portion.

**1 Claim, 5 Drawing Sheets**



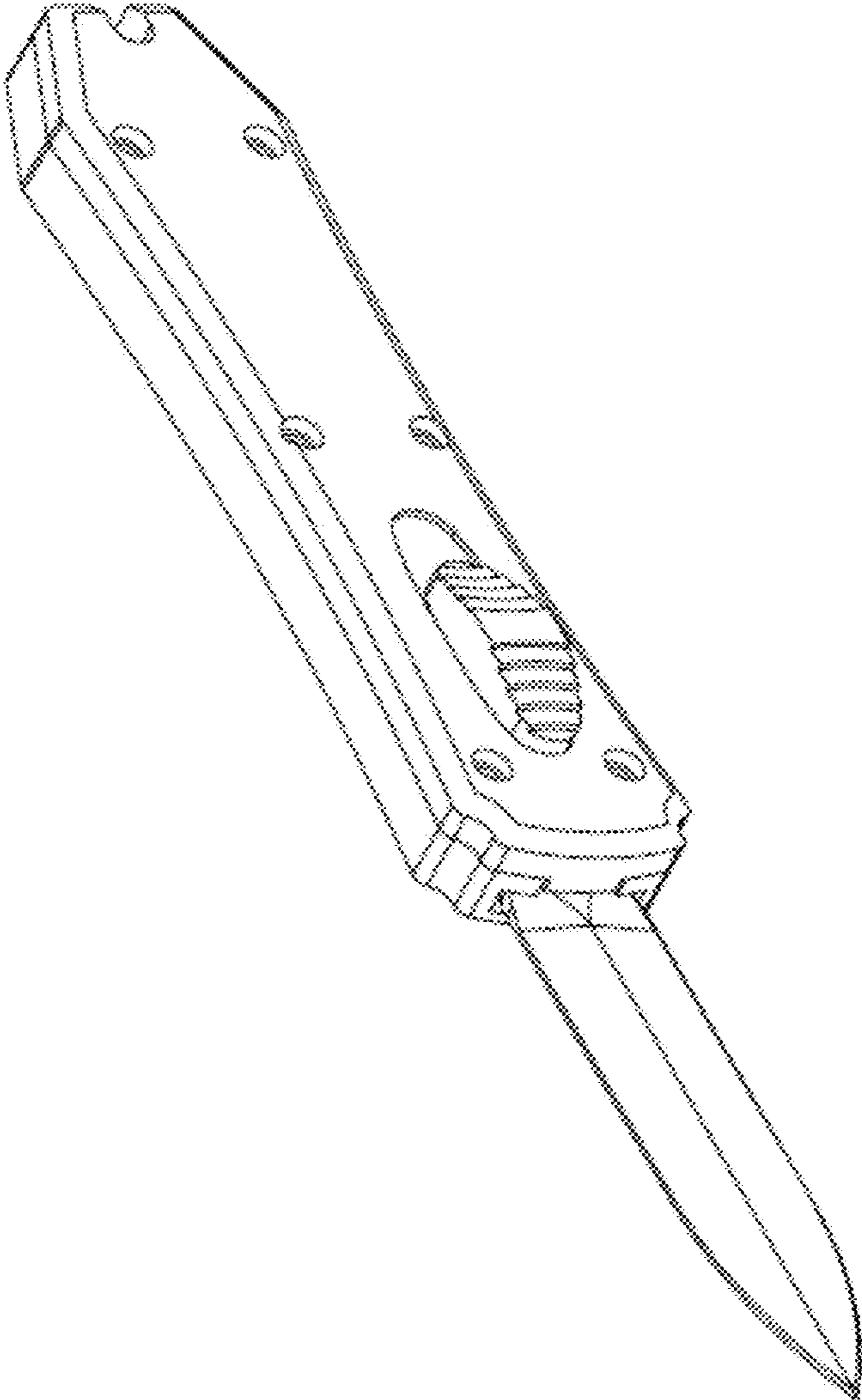


FIG. 1

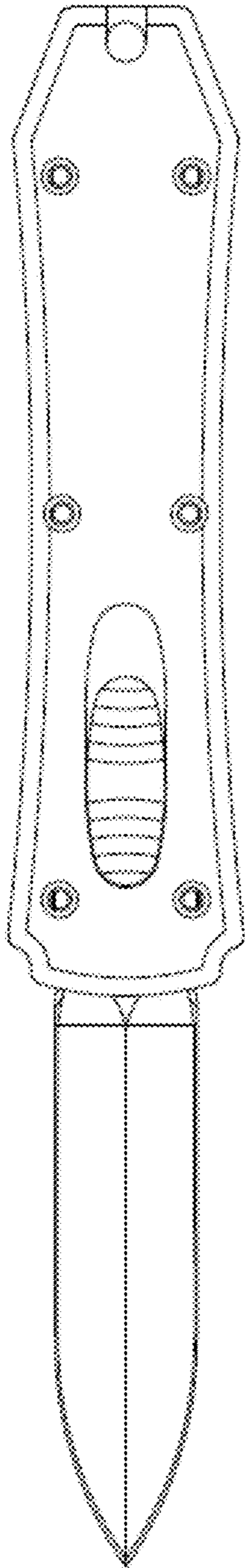


FIG. 2

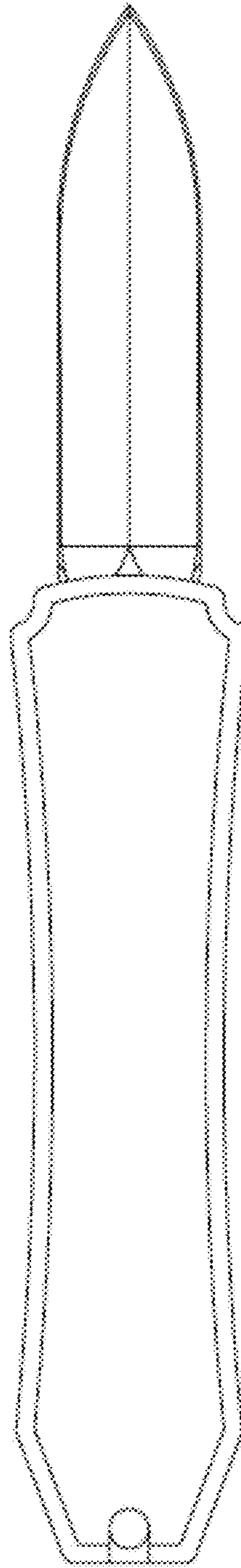


FIG. 3

FIG. 4

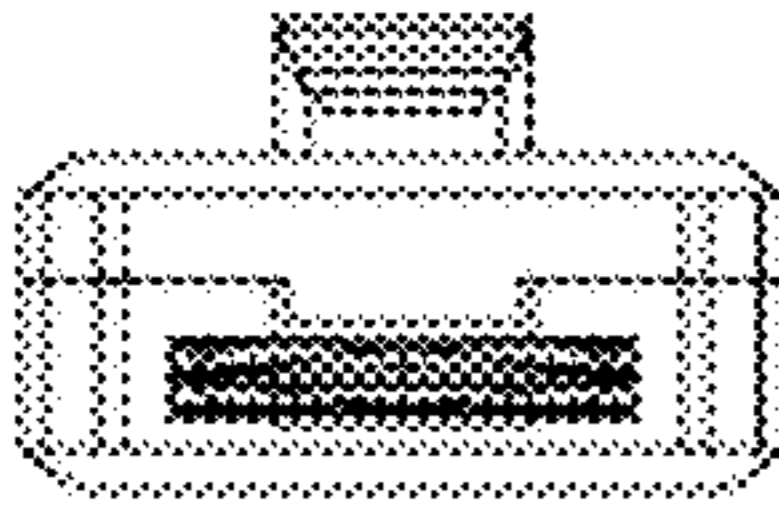


FIG. 5

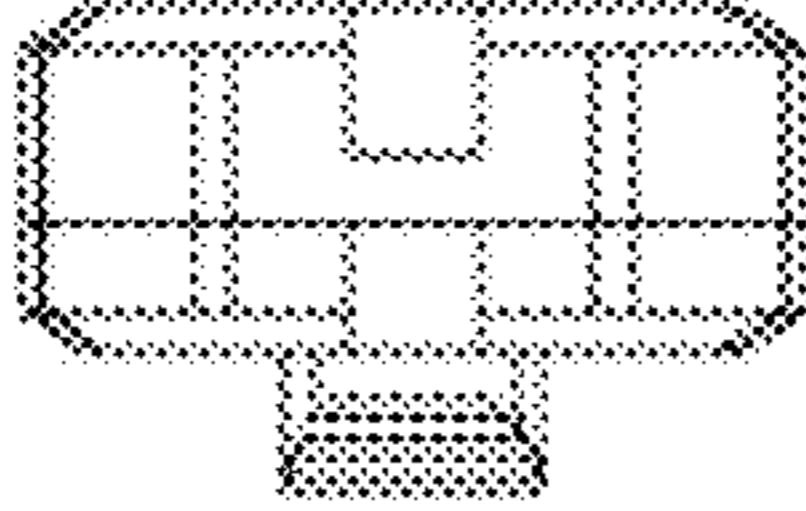
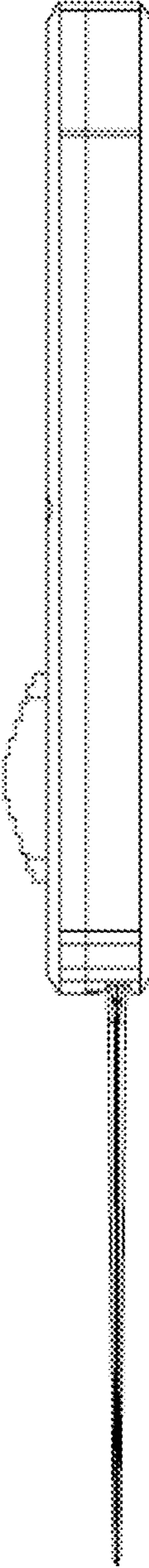


FIG. 6



FIG. 7



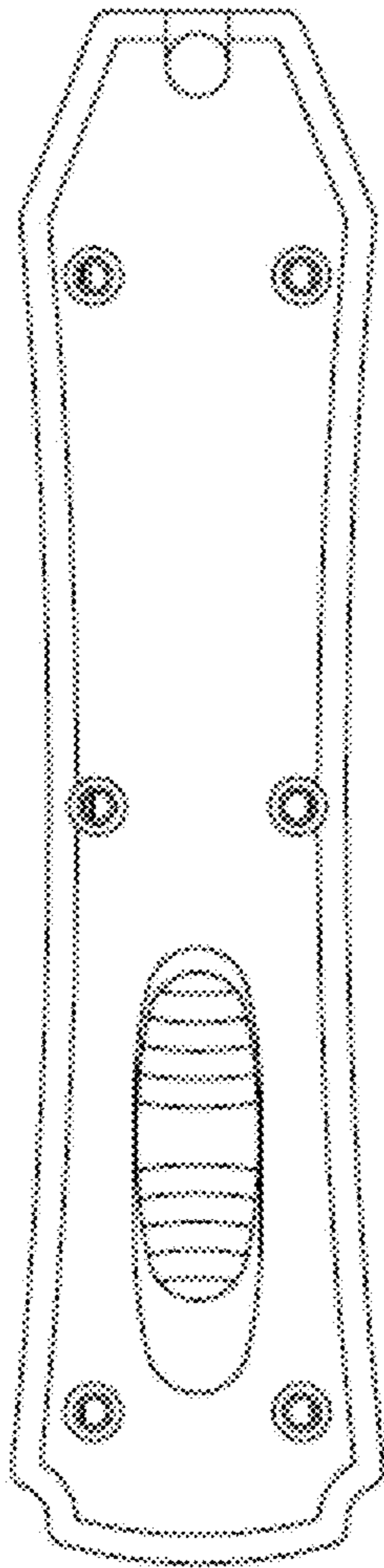


FIG. 8

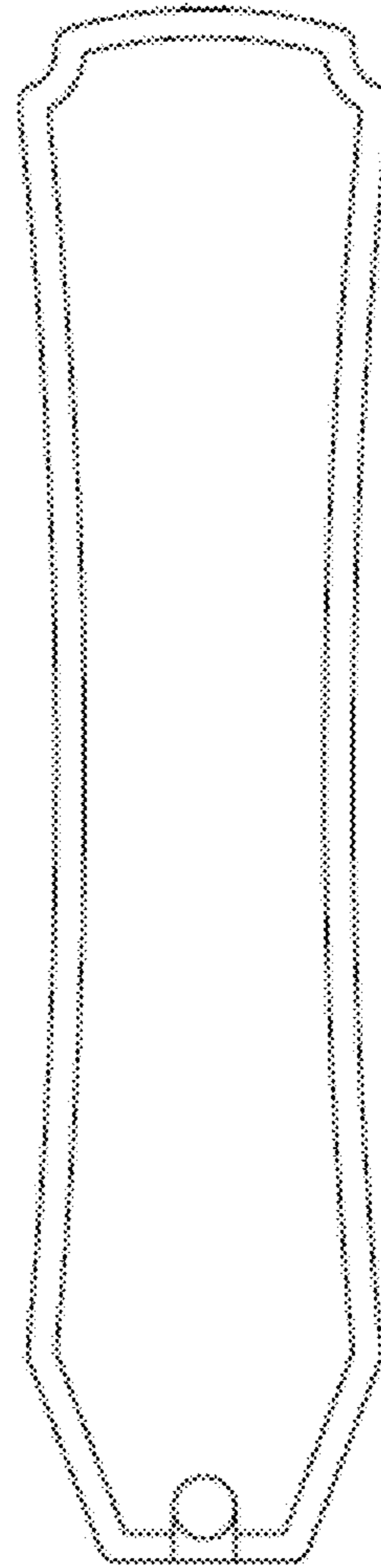


FIG. 9

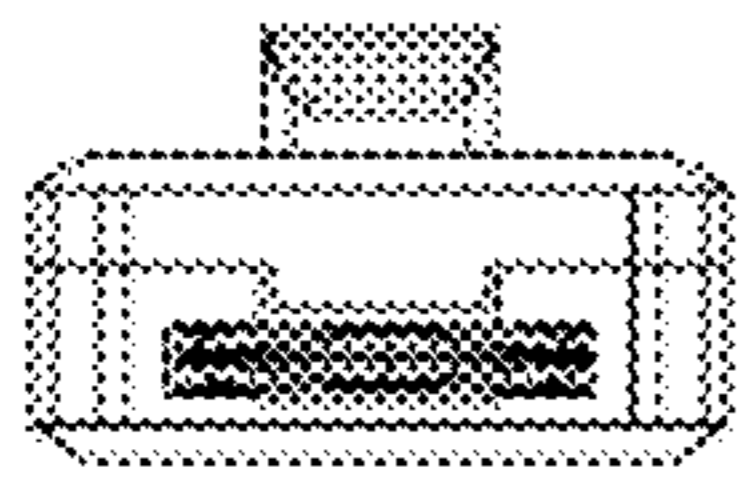


FIG. 10

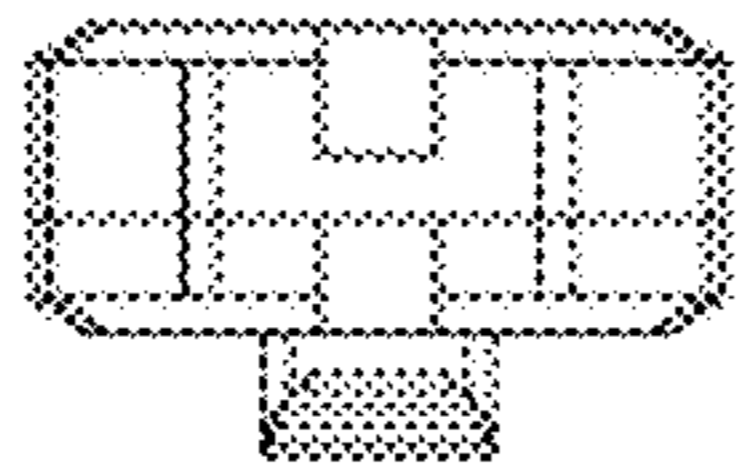


FIG. 11

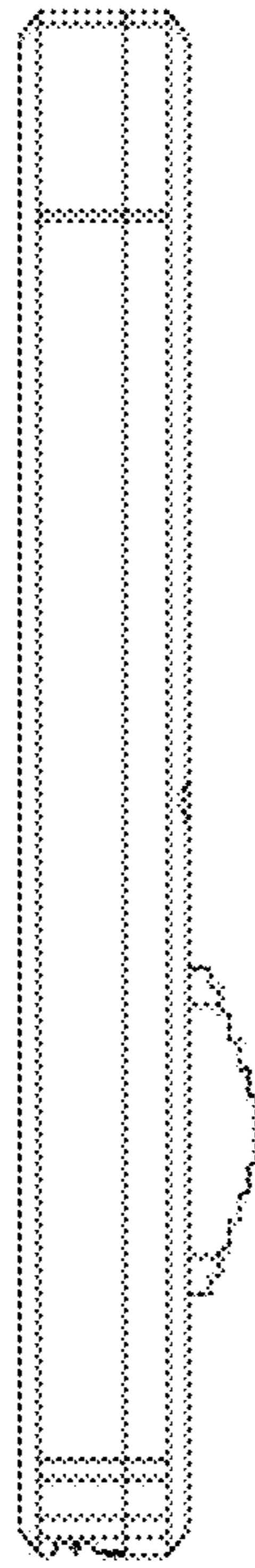


FIG. 12

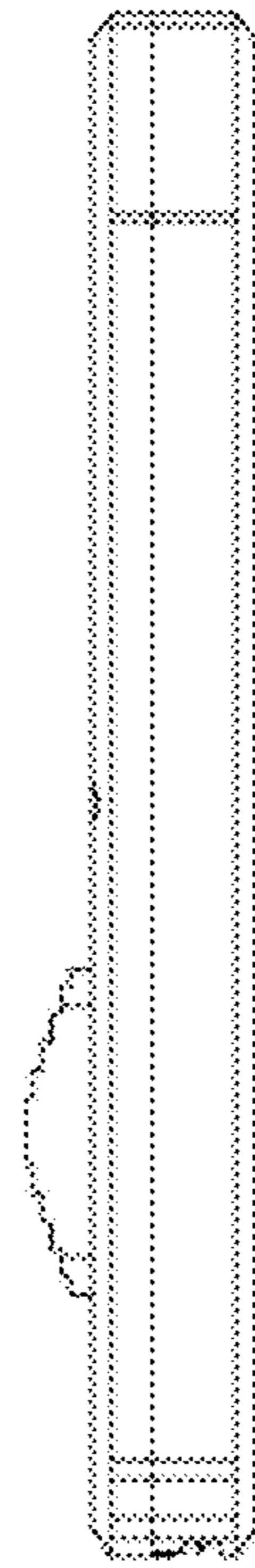


FIG. 13