



US00D796931S

(12) **United States Design Patent** (10) **Patent No.:** **US D796,931 S**  
**Kousens et al.** (45) **Date of Patent:** **\*\* Sep. 12, 2017**

(54) **CUSTOMIZABLE FACE PLATE FOR VISE JAWS**  
 (71) Applicant: **Chicago Equipment Leasing Services Company, La Jolla, CA (US)**  
 (72) Inventors: **William Kousens, El Cajon, CA (US); Zachary Kousens, Carlsbad, CA (US); Tam Nguyen, San Diego, CA (US)**  
 (\*\*) Term: **15 Years**

D385,484 S \* 10/1997 Zito ..... D8/396  
 6,022,010 A 2/2000 Bernstein  
 D430,783 S \* 9/2000 Cummings ..... D8/72  
 D432,886 S \* 10/2000 Hembroff ..... D8/74  
 6,655,642 B1 \* 12/2003 Zearbaugh ..... F16L 3/04  
 248/65  
 D562,124 S \* 2/2008 Hargis ..... D8/394  
 D603,781 S \* 11/2009 Jimenez ..... B60R 11/00  
 D12/223  
 D606,379 S \* 12/2009 Hughes ..... D8/394  
 D730,142 S \* 5/2015 Shapiro ..... D8/72

\* cited by examiner

(21) Appl. No.: **29/550,186**  
 (22) Filed: **Dec. 30, 2015**  
 (51) **LOC (10) Cl.** ..... **08-05**  
 (52) **U.S. Cl.**  
 USPC ..... **D8/74**  
 (58) **Field of Classification Search**  
 USPC ..... D8/71-74, 394-399, 59; 248/63, 72,  
 248/74.1, 689, 124.2; 81/487, 385, 386,  
 81/388-390; 269/3, 4, 6, 143, 165, 240,  
 269/243, 246-249, 254 R, 147-149;  
 29/256, 257, 276; 408/103, 104-109  
 CPC ..... B25B 1/00; B25B 5/00  
 See application file for complete search history.

*Primary Examiner* — David Muller  
 (74) *Attorney, Agent, or Firm* — Buche & Associates,  
 P.C.; John K. Buche; Bryce A. Johnson

(57) **CLAIM**

We claim the ornamental design of a customizable face plate for vise jaws, as shown and described.

**DESCRIPTION**

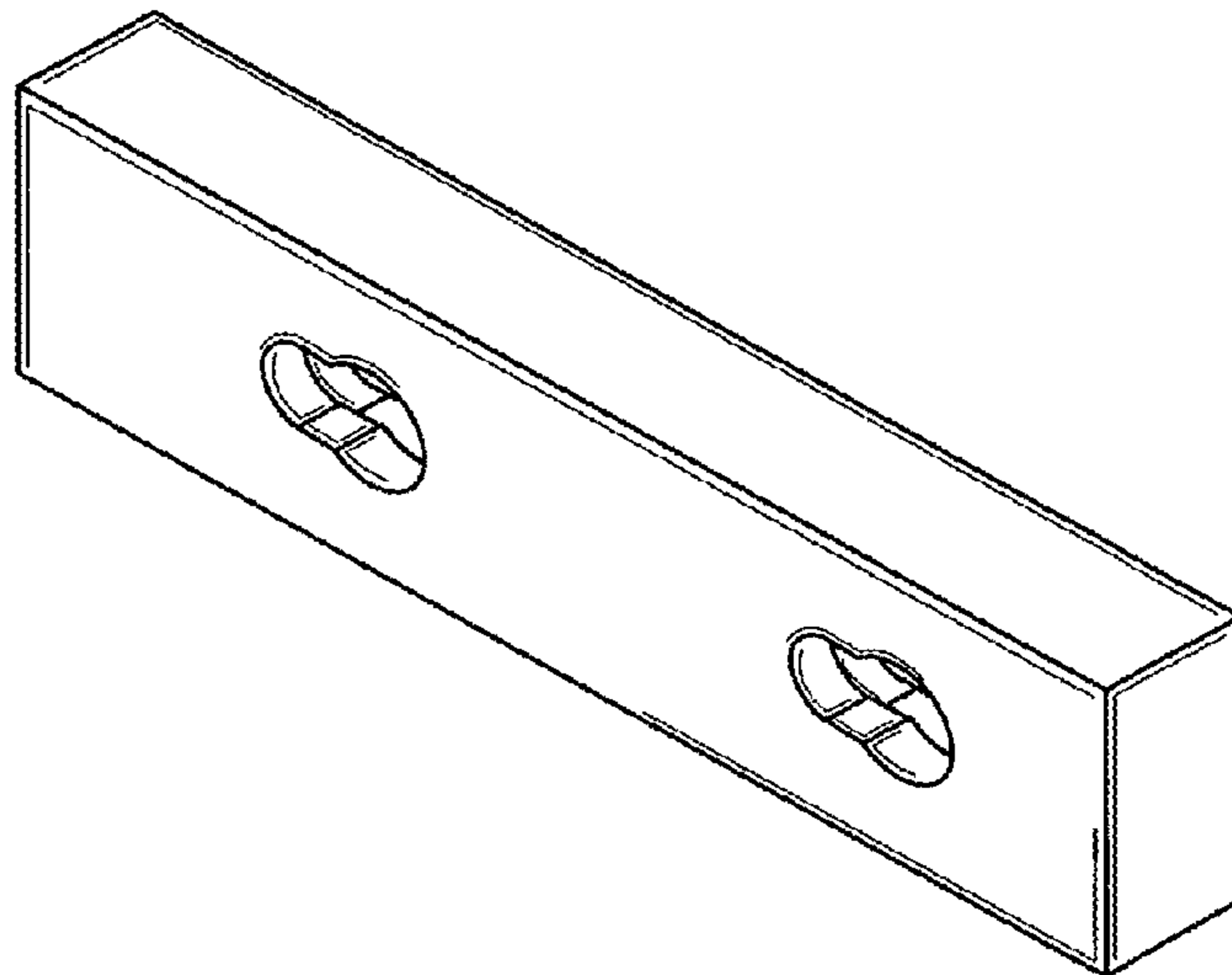
FIG. 1 is a front perspective of a customizable face plate for vise jaws.  
 FIG. 2 is a back perspective of the customizable face plate for vise jaws of FIG. 1.  
 FIG. 3 is a front view of the customizable face plate for vise jaws of FIG. 1.  
 FIG. 4 is a back view of the customizable face plate for vise jaws of FIG. 1.  
 FIG. 5 is a side view of the customizable face plate for vise jaws of FIG. 1, the opposite side view being identical.  
 FIG. 6 is a cross section of the customizable face plate for vise jaws taken along line 6-6 in FIG. 5; and,  
 FIG. 7 is a cross section of the customizable face plate for vise jaws taken along line 7-7 in FIG. 4.  
 In the claims, items shown as broken lines form no part of the claimed design.

(56) **References Cited**

U.S. PATENT DOCUMENTS

2,810,600 A 10/1957 Kendrick  
 3,077,346 A 2/1963 Lassy  
 4,597,690 A \* 7/1986 Girard ..... F16B 7/04  
 403/312  
 4,898,371 A 2/1990 Mills et al.  
 D318,409 S \* 7/1991 Garrett ..... D8/72  
 5,078,372 A 1/1992 Fitzpatrick  
 5,442,844 A \* 8/1995 Swann ..... B23Q 3/103  
 269/242  
 D377,311 S \* 1/1997 Stiegler ..... D8/396  
 D380,953 S \* 7/1997 Norgaard ..... D8/71

**1 Claim, 3 Drawing Sheets**



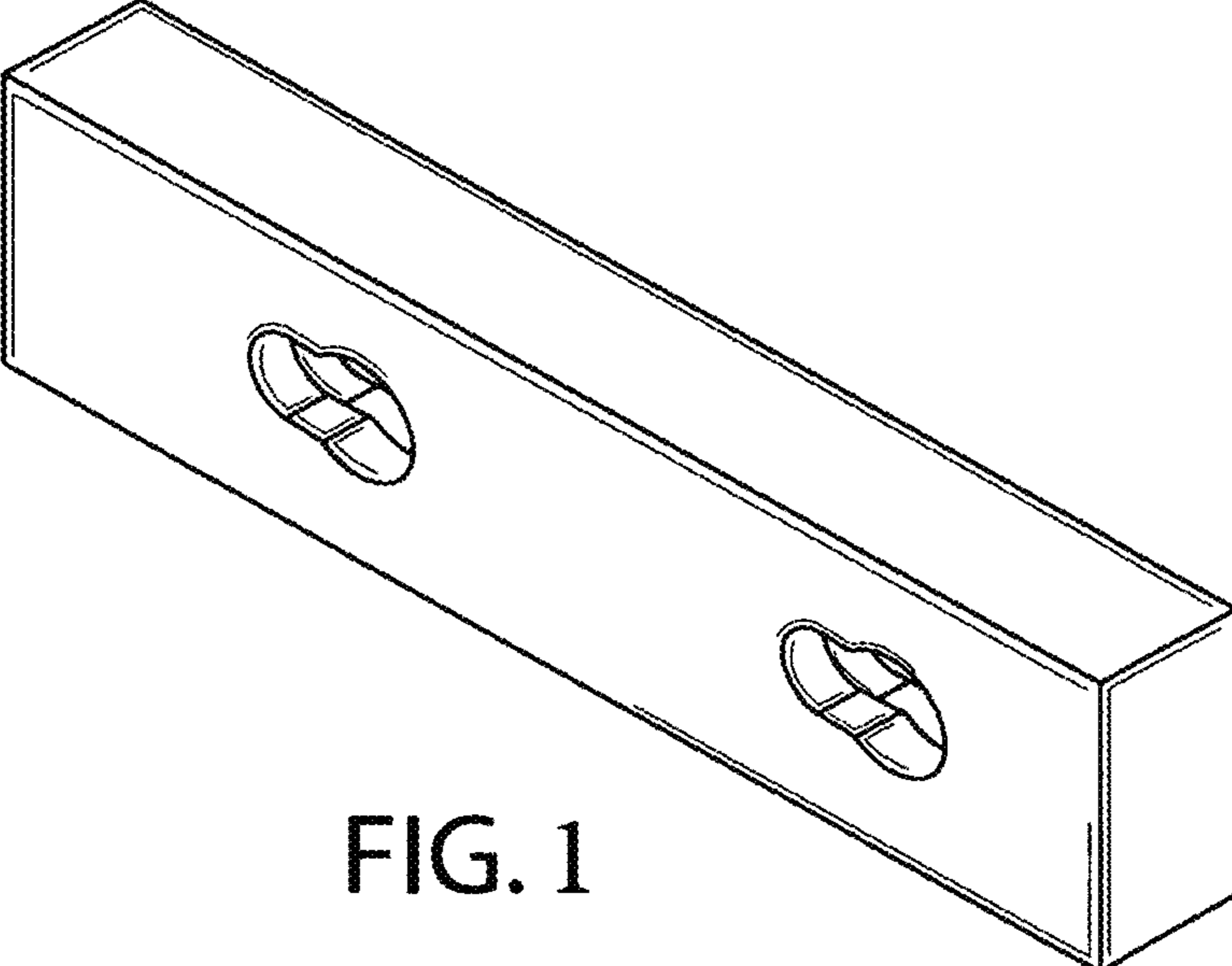


FIG. 1

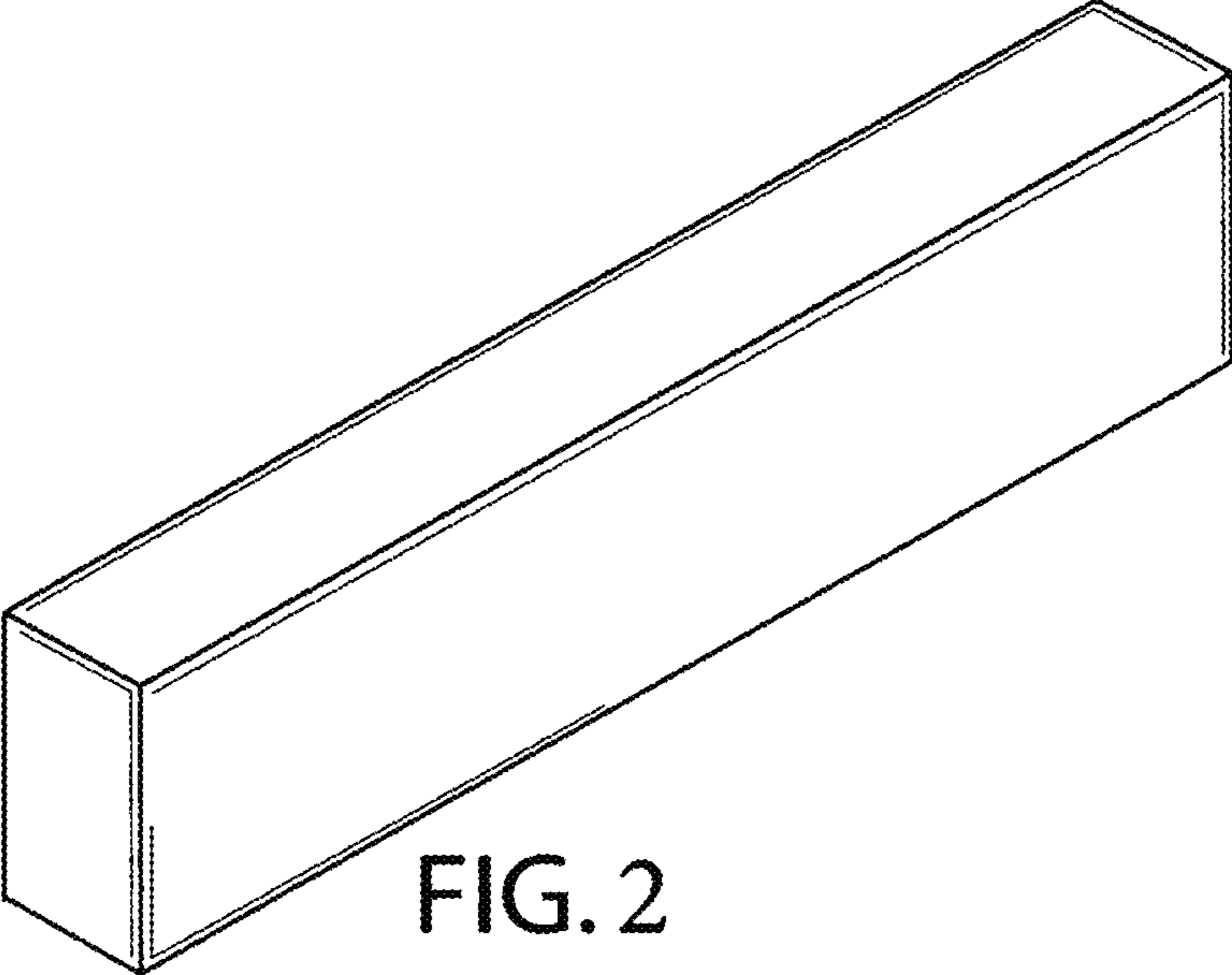


FIG. 2



FIG. 3

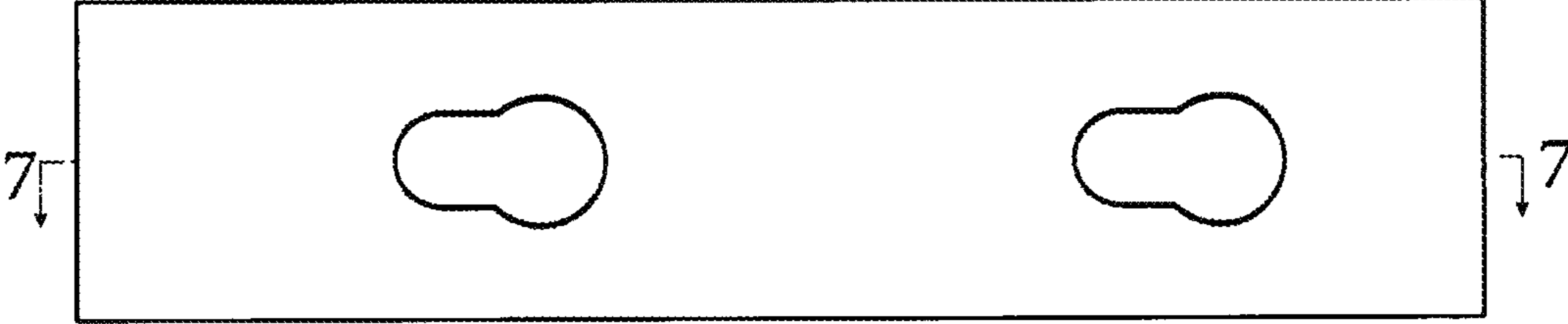


FIG. 4

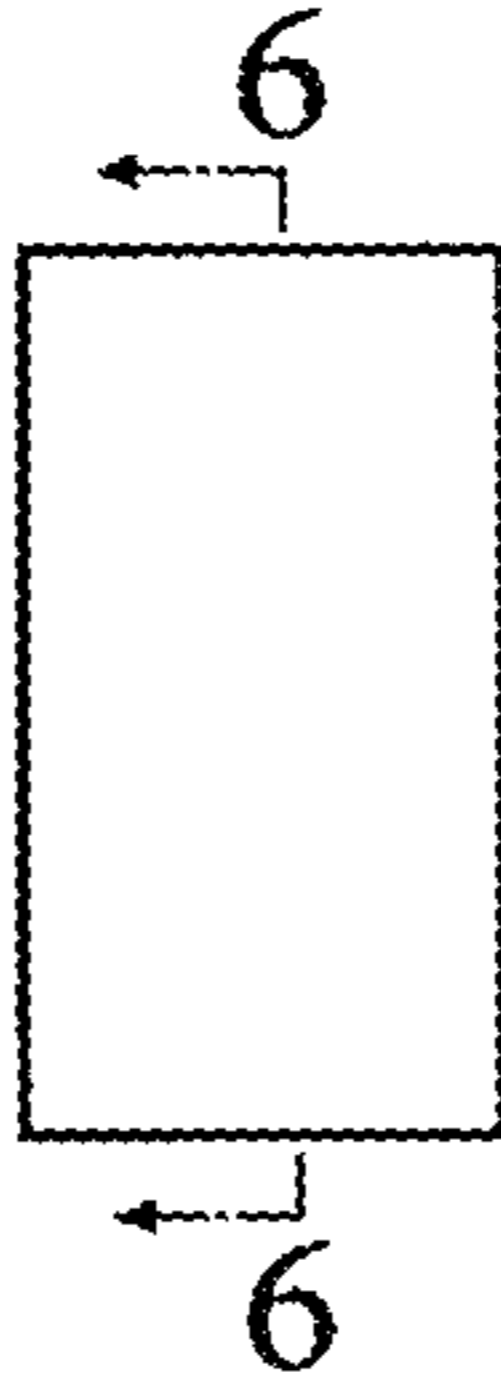


FIG. 5

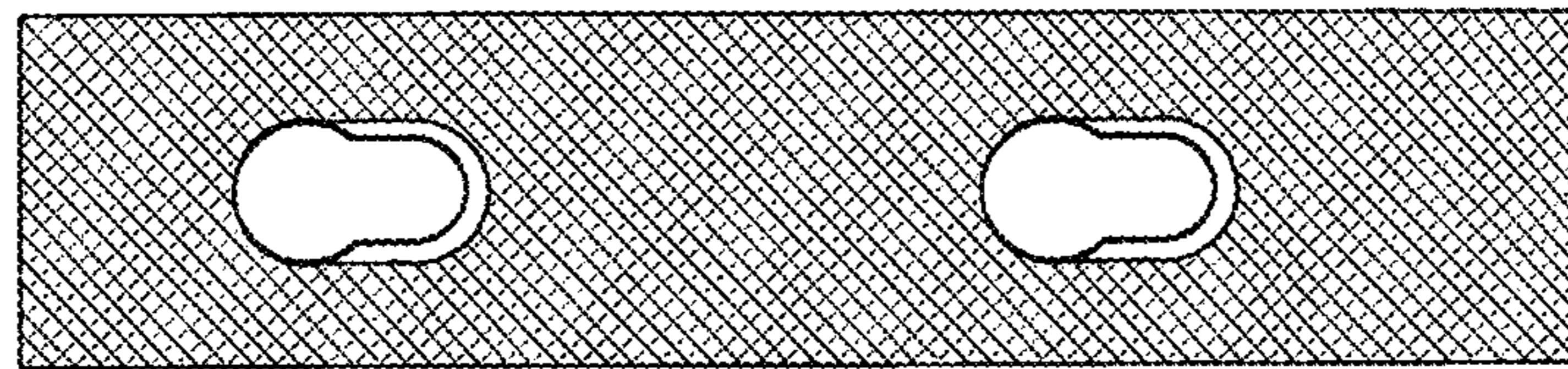


FIG. 6

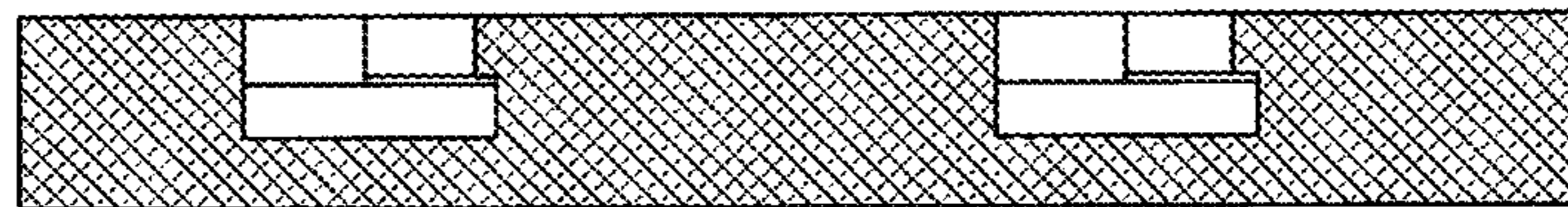


FIG. 7