

US00D796930S

(12) **United States Design Patent** (10) **Patent No.:** **US D796,930 S**  
**Jost et al.** (45) **Date of Patent:** **\*\* Sep. 12, 2017**

(54) **CHISEL HOLDER**  
(71) Applicant: **Wirtgen GmbH**, Windhagen (DE)  
(72) Inventors: **Andreas Jost**, Koenigswinter (DE);  
**Thomas Lehnert**, Oberraden (DE);  
**Cyrus Barimani**, Koenigswinter (DE);  
**Günter Hähn**, Koenigswinter (DE)

D585,259 S 1/2009 Holl et al.  
7,537,288 B2 5/2009 Chiang  
D657,648 S \* 4/2012 Wachsmann ..... D8/71  
D666,226 S \* 8/2012 Buhr ..... D15/140  
D666,641 S 9/2012 Buhr et al.  
D666,642 S 9/2012 Buhr et al.  
D666,643 S 9/2012 Buhr et al.

(Continued)

(73) Assignee: **Wirtgen GmbH** (DE)

(\*\*) Term: **15 Years**

(21) Appl. No.: **29/573,962**

(22) Filed: **Aug. 11, 2016**

(30) **Foreign Application Priority Data**

Feb. 22, 2016 (EM) ..... 002997718

(51) **LOC (10) Cl.** ..... **08-05**

(52) **U.S. Cl.**  
USPC ..... **D8/71**

(58) **Field of Classification Search**  
USPC ..... D15/131, 134, 138, 139, 140; 209/106;  
206/349; 299/102-103, 105, 106-110;  
408/204; 411/82.2, 82.5, 257, 258,  
411/901-903, 914, 916, 930; D8/70-74  
CPC ..... E21C 35/18  
See application file for complete search history.

(56) **References Cited**

**U.S. PATENT DOCUMENTS**

4,489,986 A 12/1984 Dziak  
6,244,665 B1 6/2001 Bise et al.  
6,481,803 B2 11/2002 Ritchey  
6,962,395 B2 11/2005 Mouthaan  
7,300,115 B2 11/2007 Holl et al.  
D567,270 S 4/2008 Chiang  
D574,689 S 8/2008 Holl et al.  
D575,610 S 8/2008 Holl et al.

**OTHER PUBLICATIONS**

Design U.S. Appl. No. 29/573,961, filed Aug. 11, 2016 to Jost et al.

(Continued)

*Primary Examiner* — Lakiya Rogers  
*Assistant Examiner* — Harold E Blackwell, II  
(74) *Attorney, Agent, or Firm* — Lucian Wayne Beavers;  
Patterson Intellectual Property Law, PC

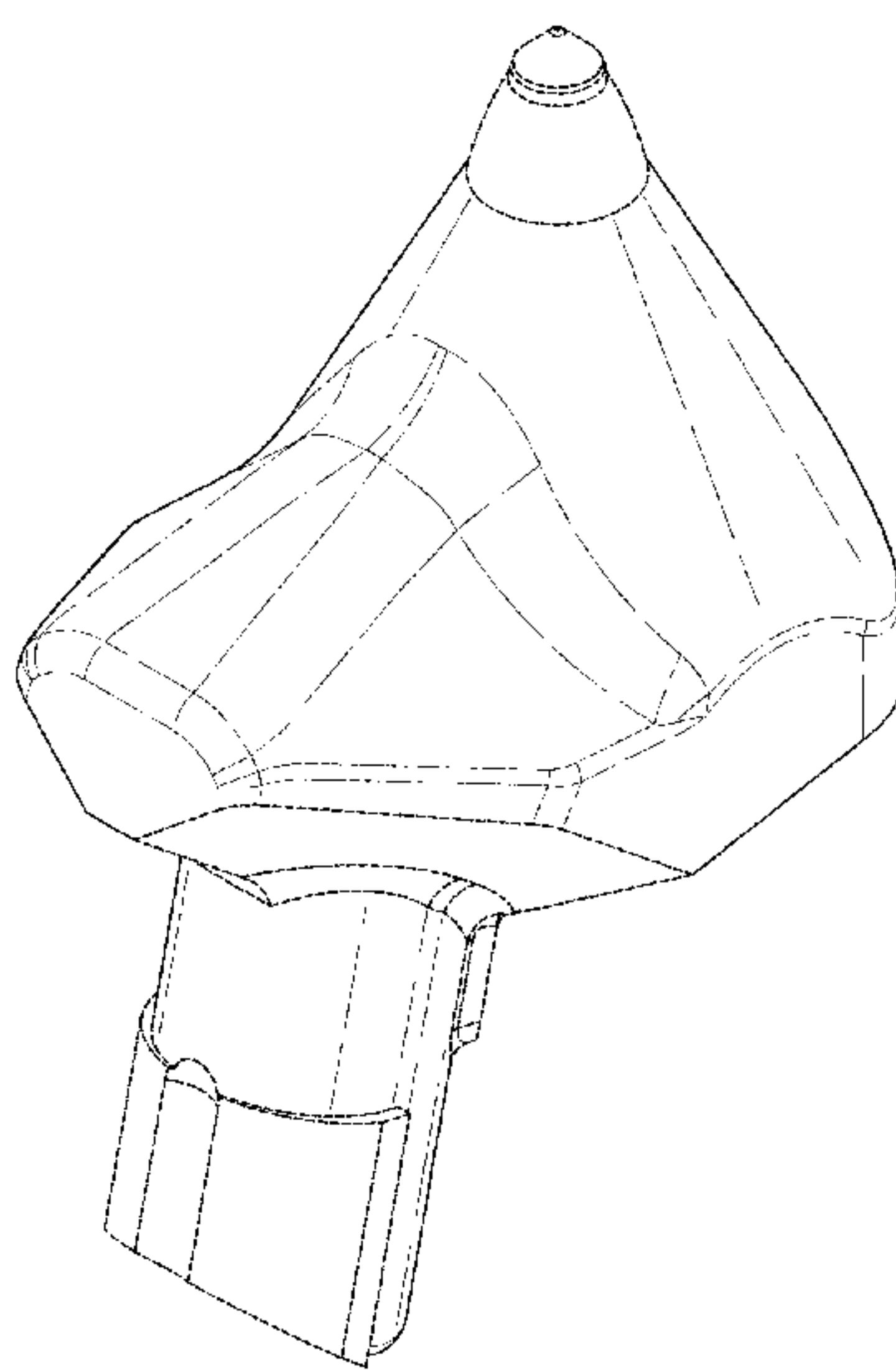
(57) **CLAIM**

What is claimed is the ornamental design for a chisel holder, as shown and described.

**DESCRIPTION**

FIG. 1 is right side perspective view of the chisel holder. FIG. 2 is front elevation view of the chisel holder of FIG. 1. FIG. 3 is a rear elevation view of the chisel holder of FIG. 1. FIG. 4 is a right side elevation view of the chisel holder of FIG. 1. FIG. 5 is a left side elevation view of the chisel holder of FIG. 1. FIG. 6 is a top view of the chisel holder of FIG. 1; and, FIG. 7 is a bottom view of the chisel holder of FIG. 1. The broken lines formed of short equal length dashes in the FIGS. 1-7 illustrate portions of the chisel holder which form no part of the claimed design. The non-uniform broken lines are surface shading used to show the contour of the surfaces of the claimed design.

**1 Claim, 7 Drawing Sheets**



(56)

References Cited

U.S. PATENT DOCUMENTS

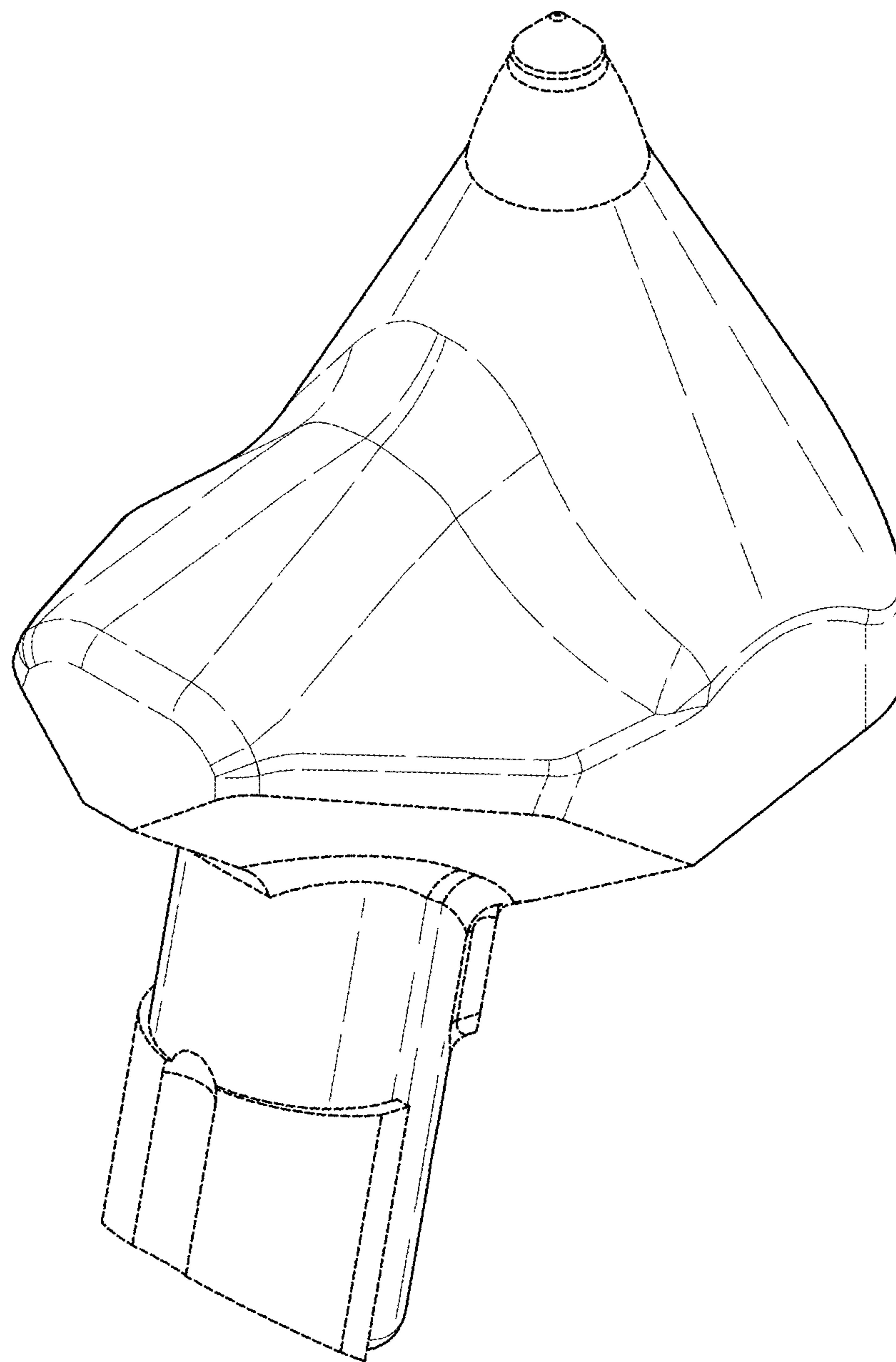
D667,854 S 9/2012 Kammerer et al.  
 D667,855 S \* 9/2012 Kammerer ..... D15/140  
 D667,856 S 9/2012 Kammerer et al.  
 D669,505 S \* 10/2012 Buhr ..... D15/140  
 D671,578 S 11/2012 Buhr et al.  
 8,313,153 B2 \* 11/2012 Maushart ..... E02F 9/2825  
 299/111  
 D677,285 S \* 3/2013 Buhr ..... D15/140  
 D688,282 S \* 8/2013 Lachmann ..... D15/140  
 D692,037 S 10/2013 Buhr et al.  
 D692,038 S 10/2013 Buhr et al.  
 D692,039 S 10/2013 Buhr et al.  
 D692,040 S 10/2013 Buhr et al.  
 D707,736 S \* 6/2014 Ries ..... D15/140  
 8,783,785 B2 \* 7/2014 Lehnert ..... E21C 35/183  
 299/104  
 D736,283 S \* 8/2015 Ries ..... D15/140  
 9,144,922 B2 \* 9/2015 Roth ..... E21C 35/18

9,163,502 B2 \* 10/2015 Lehnert ..... E21C 35/18  
 9,267,373 B2 \* 2/2016 Kammerer ..... E21C 35/18  
 9,359,728 B2 \* 6/2016 Wachsmann ..... E21C 47/00  
 9,376,911 B2 \* 6/2016 Lehnert ..... E21C 35/18  
 9,441,482 B2 \* 9/2016 Hall ..... E21C 35/18  
 2005/0127742 A1 6/2005 Erickson  
 2006/0119165 A1 6/2006 Holl et al.  
 2009/0289493 A1 \* 11/2009 Holl ..... E21C 35/18  
 299/102  
 2011/0006588 A1 \* 1/2011 Monyak ..... E21C 35/18  
 299/107  
 2011/0148178 A1 \* 6/2011 Lehnert ..... E02F 9/2816  
 299/105  
 2011/0148179 A1 \* 6/2011 Lehnert ..... E21C 35/18  
 299/105  
 2013/0052481 A1 2/2013 Konyashin et al.

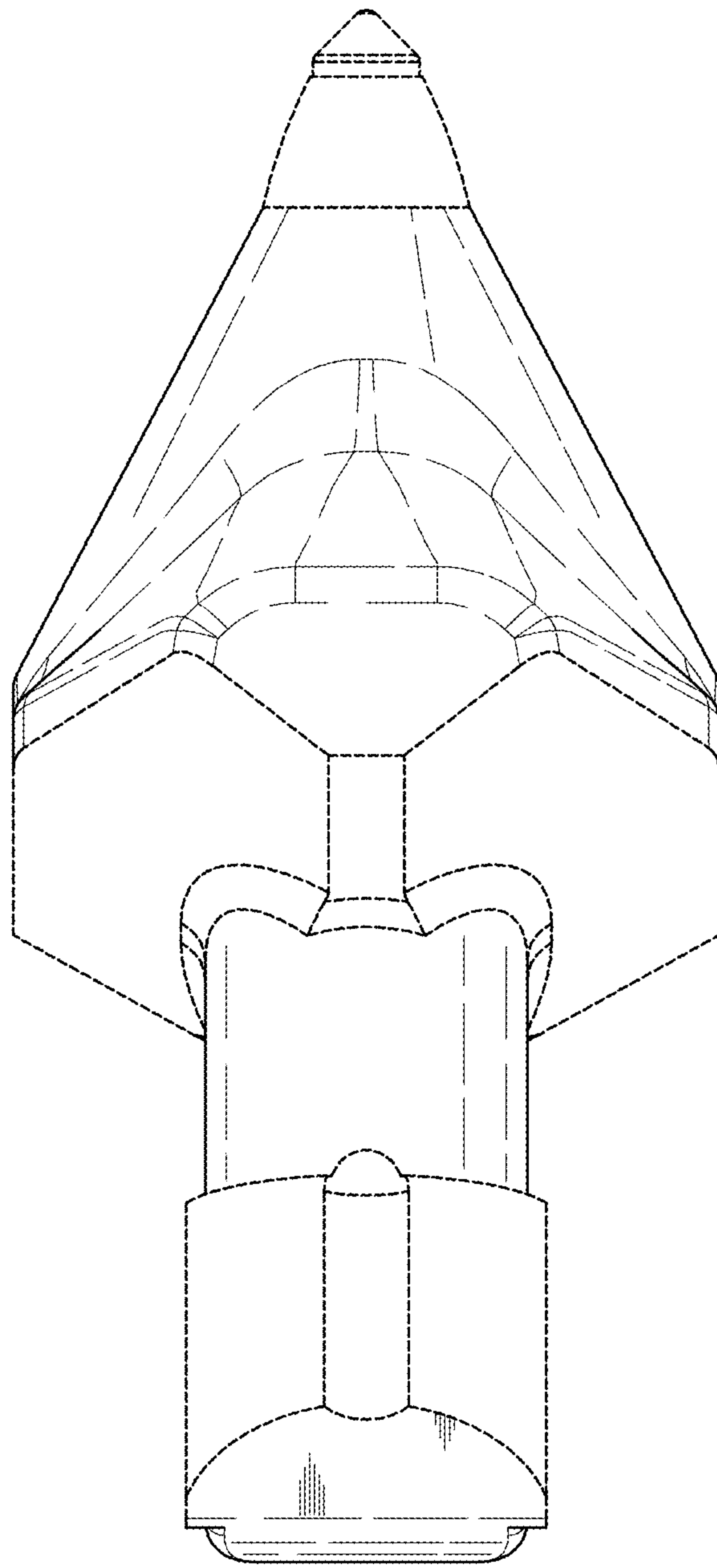
OTHER PUBLICATIONS

Design U.S. Appl. No. 29/573,963, filed Aug. 11, 2016 to Jost et al.

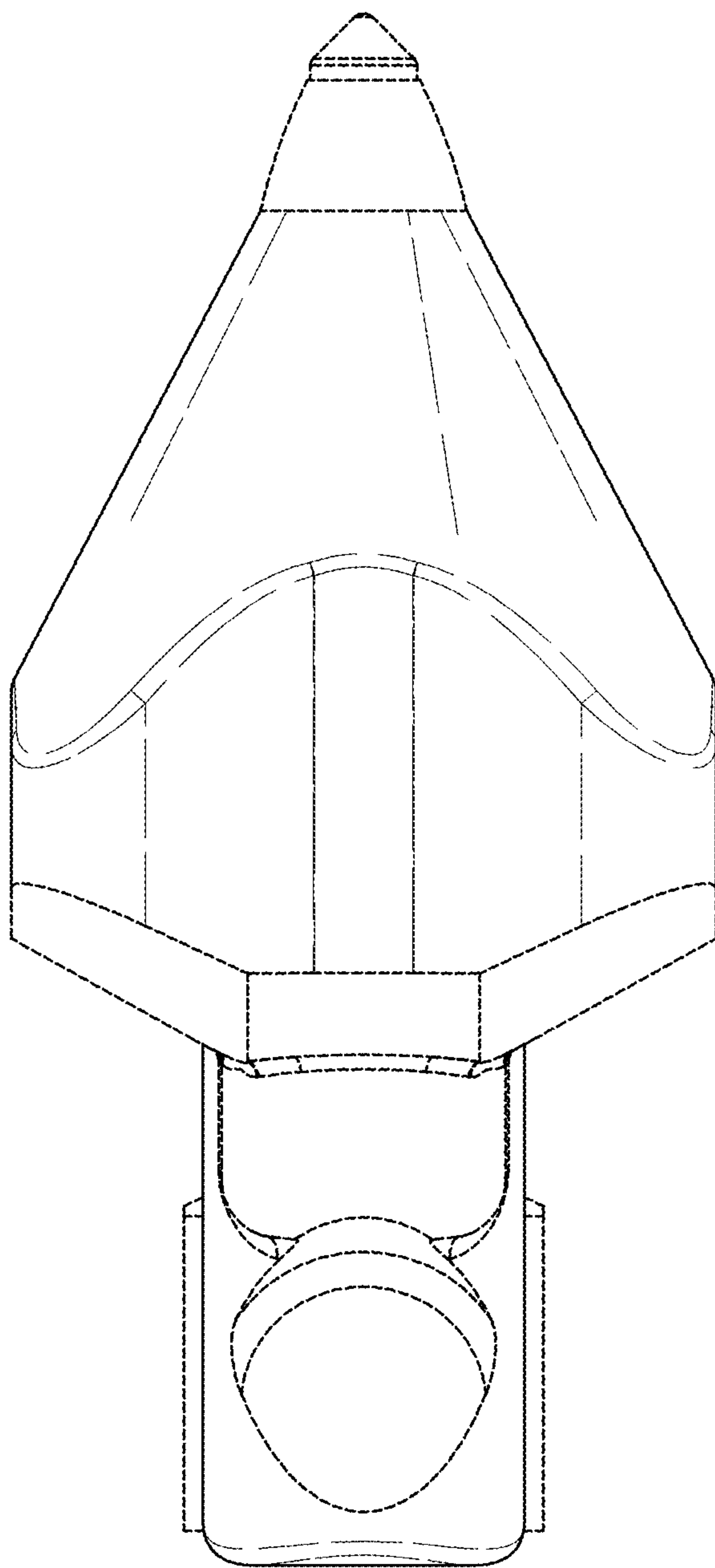
\* cited by examiner



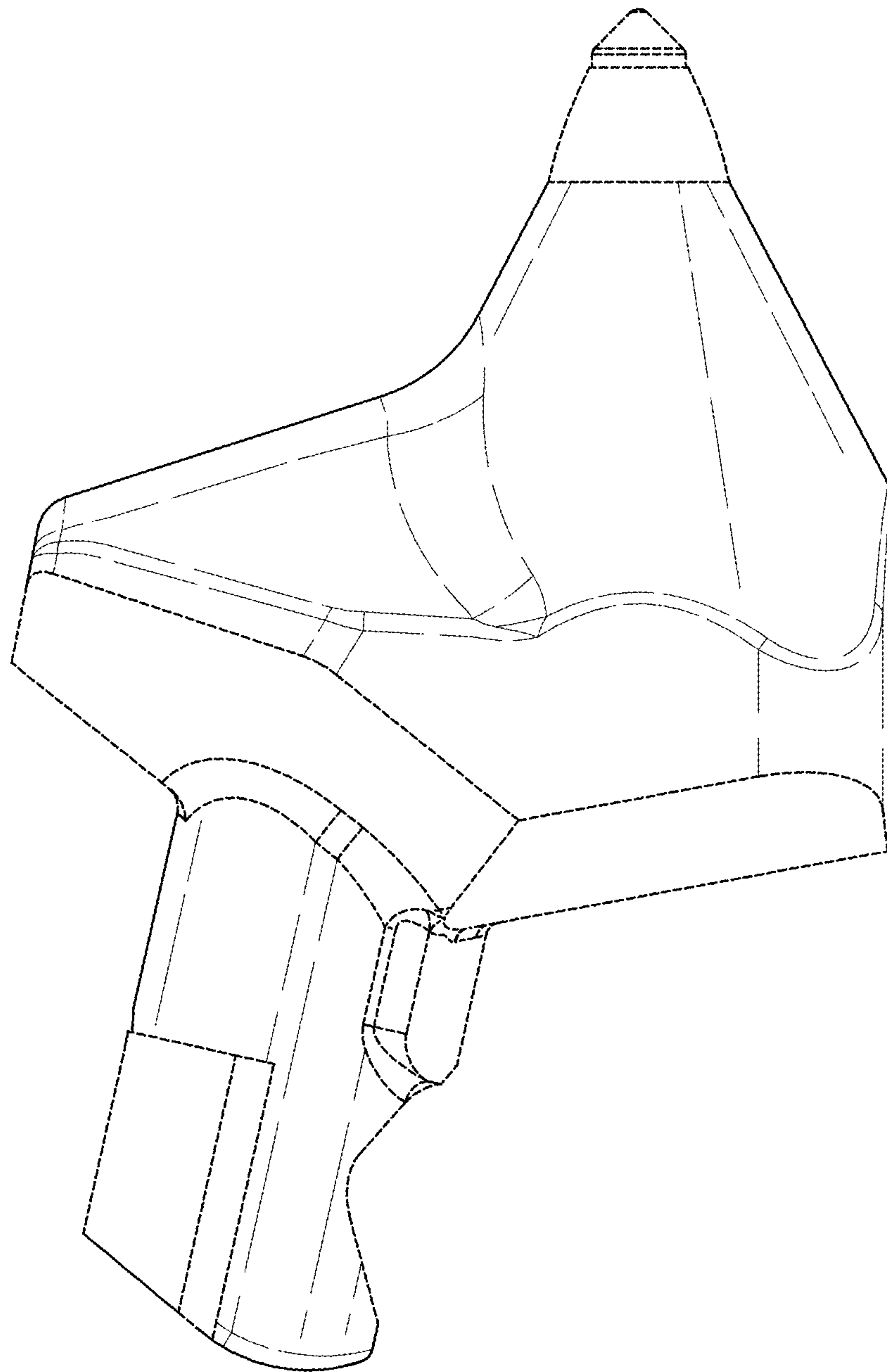
**FIG. 1**



*FIG. 2*

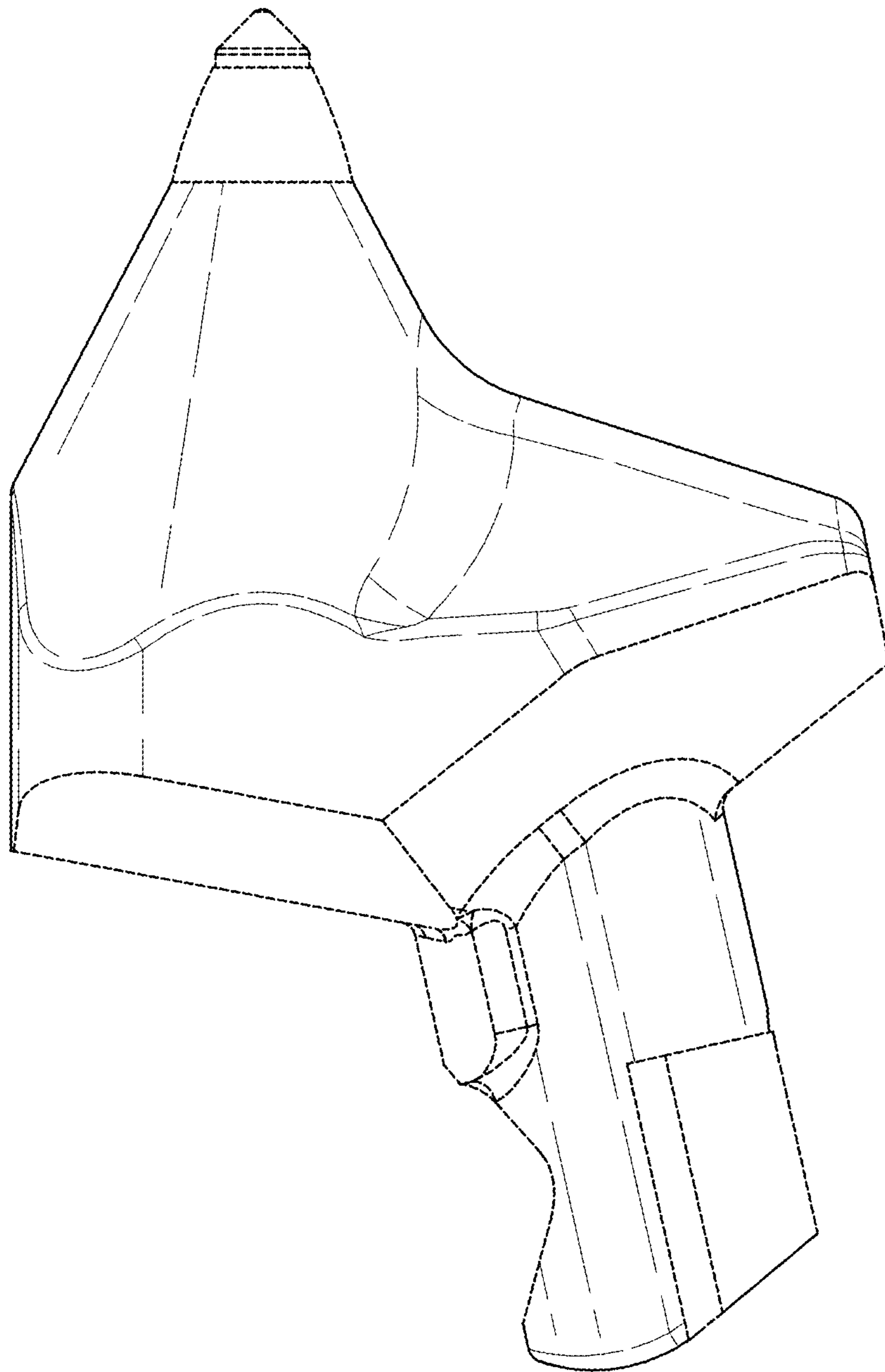


*FIG. 3*

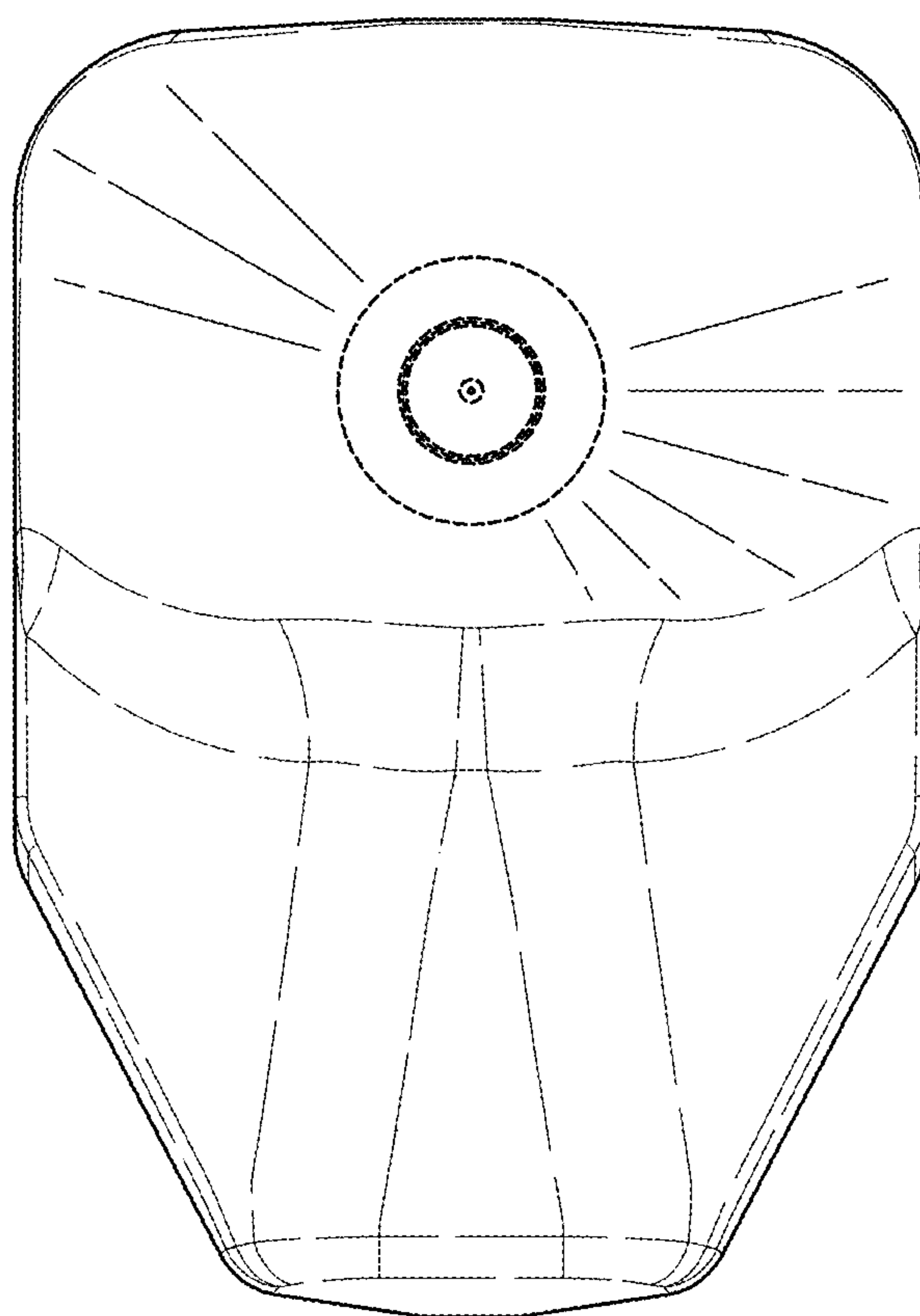


**FIG. 4**



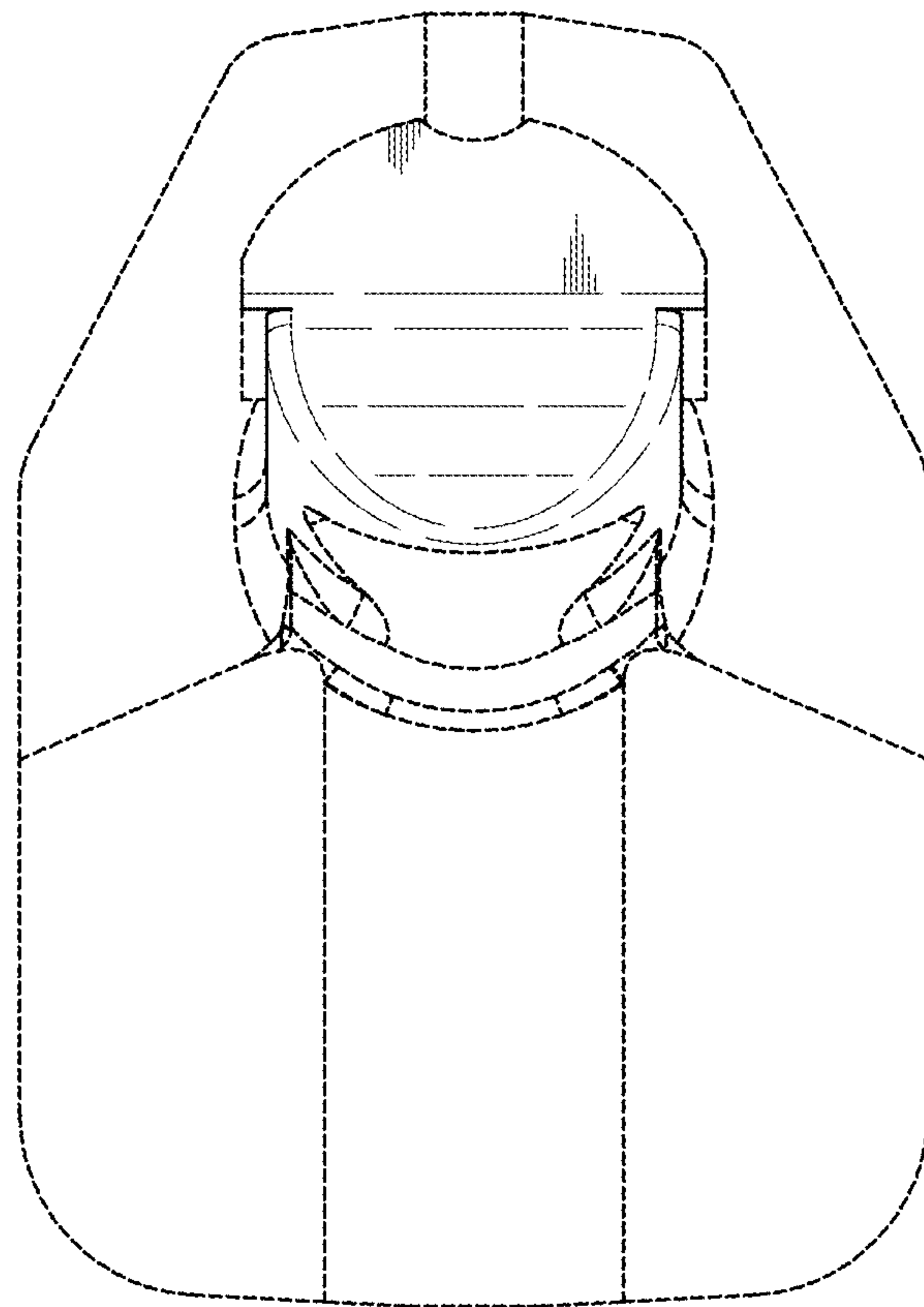


**FIG. 5**



*FIG. 6*





*FIG. 7*