



US00D796928S

(12) **United States Design Patent** (10) **Patent No.:** **US D796,928 S**  
**McMorris et al.** (45) **Date of Patent:** **\*\* Sep. 12, 2017**

(54) **FENCE ATTACHMENT**  
 (71) Applicants: **Sandra Ann McMorris**, Port St. Lucie, FL (US); **Glen Edward McMorris**, Port St. Lucie, FL (US)  
 (72) Inventors: **Sandra Ann McMorris**, Port St. Lucie, FL (US); **Glen Edward McMorris**, Port St. Lucie, FL (US)

D380,953 S \* 7/1997 Norgaard ..... D8/71  
 D393,473 S \* 4/1998 Ramirez ..... D15/133  
 D481,281 S \* 10/2003 Anderson ..... D8/71  
 D512,893 S \* 12/2005 Cowan ..... D8/70  
 D690,180 S \* 9/2013 Del Rossa ..... D15/140  
 8,763,504 B2 \* 7/2014 Tardif ..... B27B 25/10  
 83/438

(\*\*) Term: **15 Years**

\* cited by examiner

(21) Appl. No.: **29/566,739**

*Primary Examiner* — Lakiya Rogers  
*Assistant Examiner* — Harold E Blackwell, II  
 (74) *Attorney, Agent, or Firm* — Dunlap Bennett & Ludwig PLLC

(22) Filed: **Jun. 2, 2016**

(51) **LOC (10) Cl.** ..... **08-05**

(57) **CLAIM**

(52) **U.S. Cl.**  
USPC ..... **D8/71**

The ornamental design for a fence attachment, as shown and described.

(58) **Field of Classification Search**  
 USPC ..... D8/71, 14; 256/34, 35; 144/27, 84, 144/144.1, 144.51; 33/197  
 CPC .. E05D 5/02; E05D 11/0009; E05Y 2900/132  
 See application file for complete search history.

**DESCRIPTION**

(56) **References Cited**

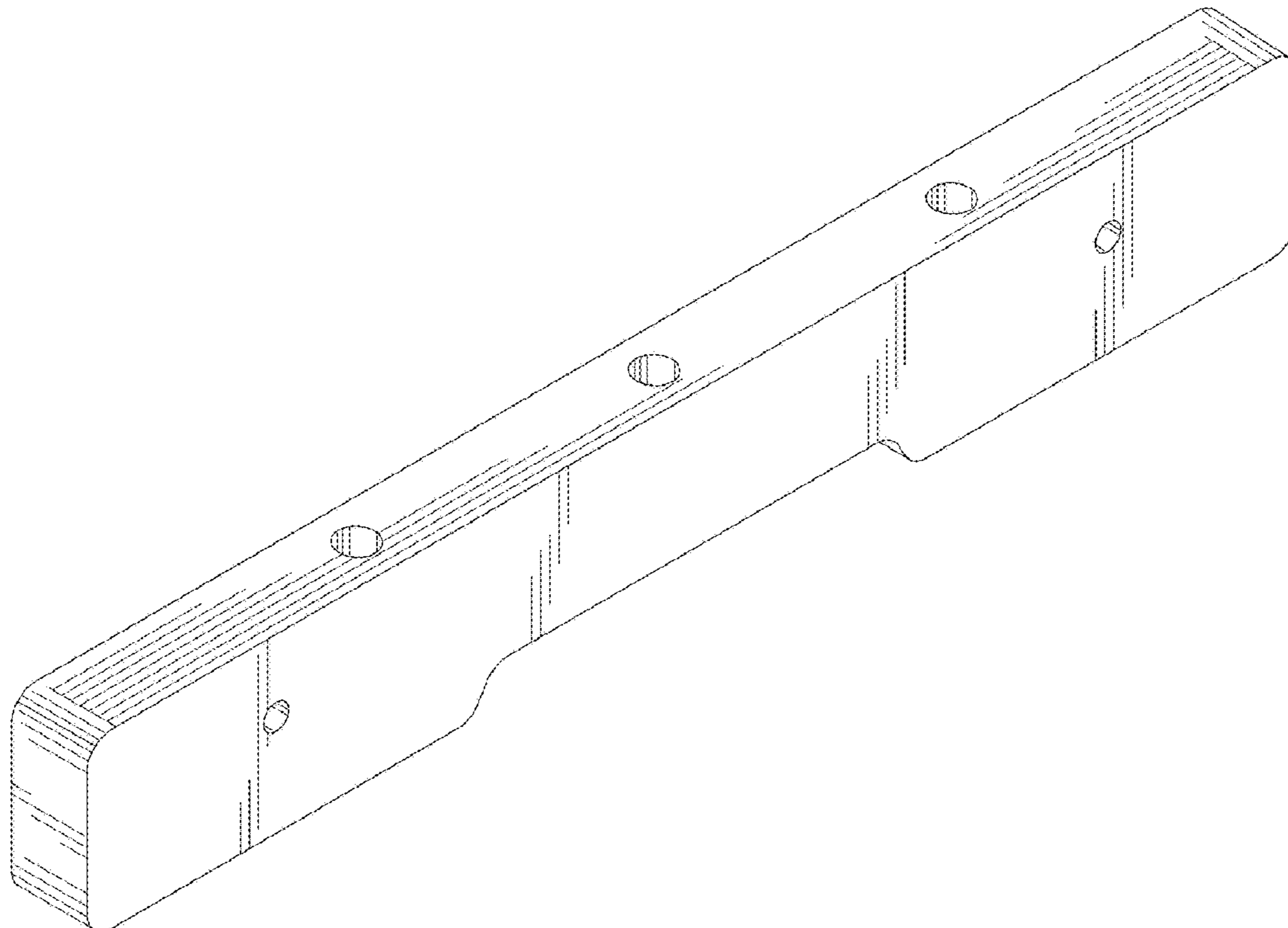
U.S. PATENT DOCUMENTS

4,145,160 A \* 3/1979 Wiggins ..... B23B 47/288  
 408/103  
 4,708,323 A \* 11/1987 Noakes ..... E04H 17/12  
 256/34

FIG. 1 is a top front perspective view of a fence attachment;  
 FIG. 2 is a front elevation view of FIG. 1;  
 FIG. 3 is a rear elevation view of FIG. 1;  
 FIG. 4 is a right side elevation view of FIG. 1;  
 FIG. 5 is a left side elevation view of FIG. 1;  
 FIG. 6 is a top plan view of FIG. 1; and,  
 FIG. 7 is a bottom plan view of FIG. 1.

The broken lines shown in the drawings depict portions of the fence attachment that form no part of the claimed design.

**1 Claim, 2 Drawing Sheets**



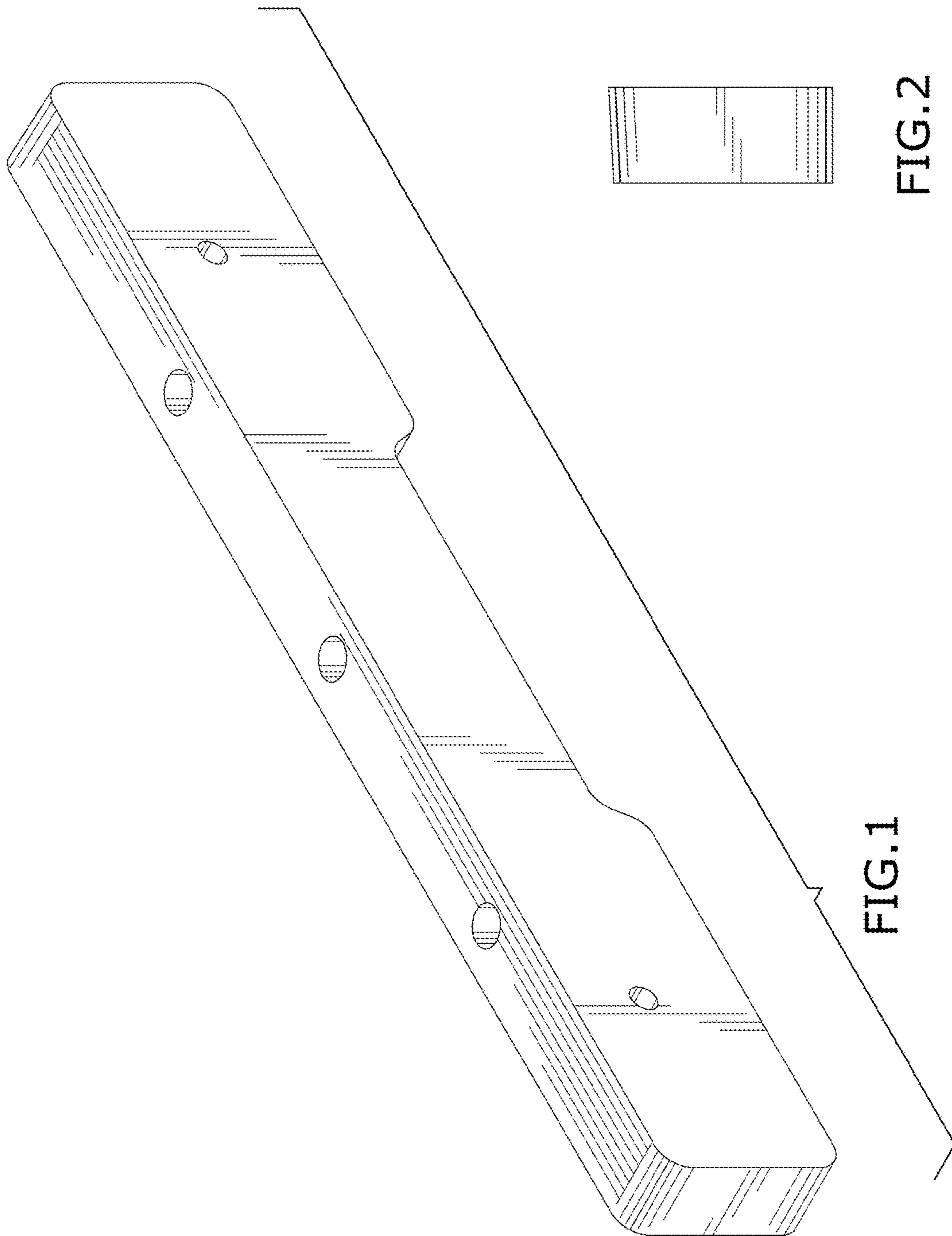


FIG.1

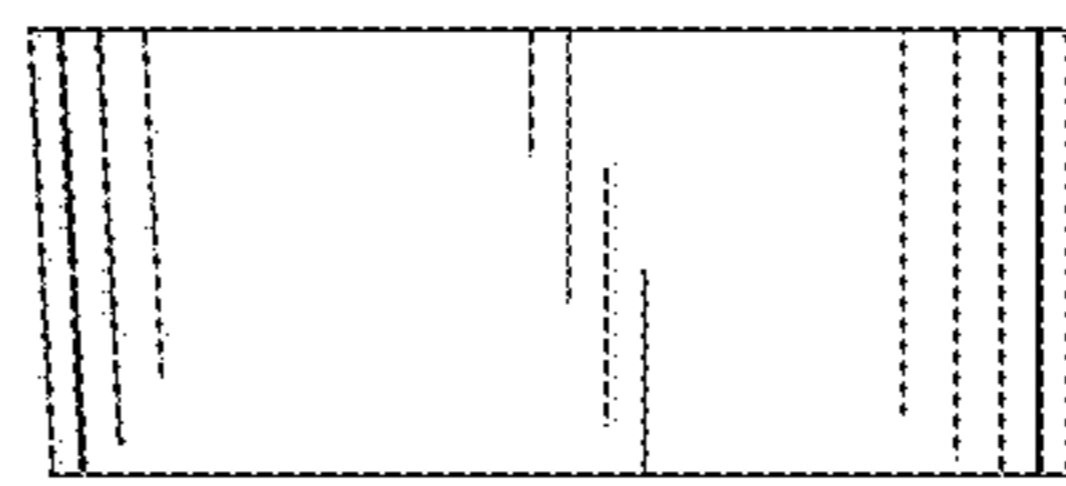


FIG.2

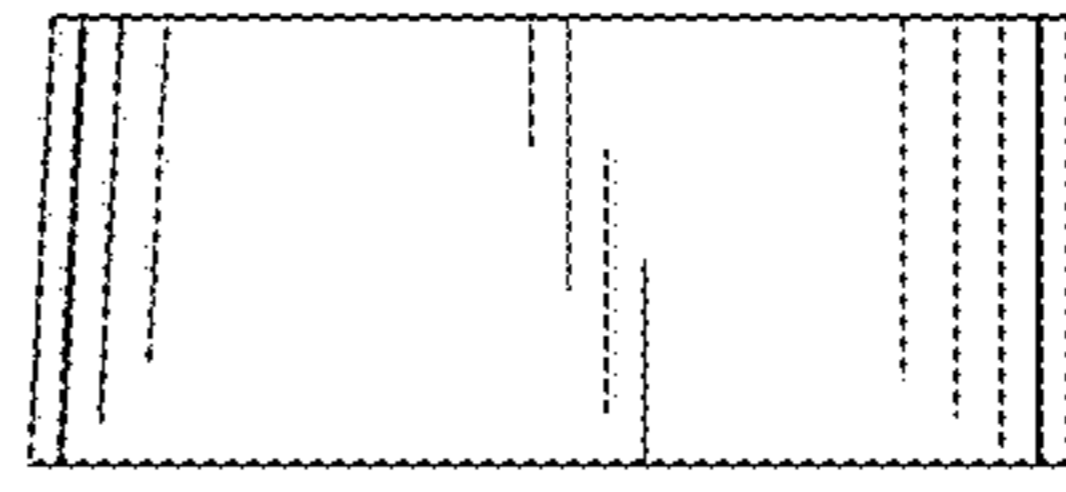


FIG.3

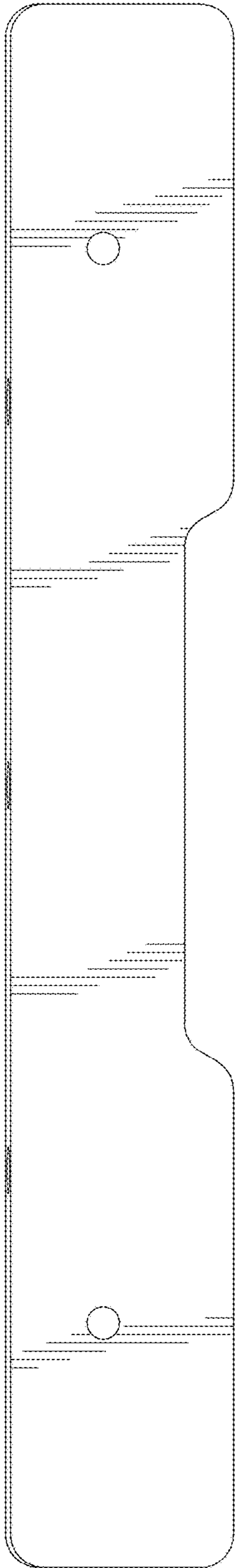


FIG. 4

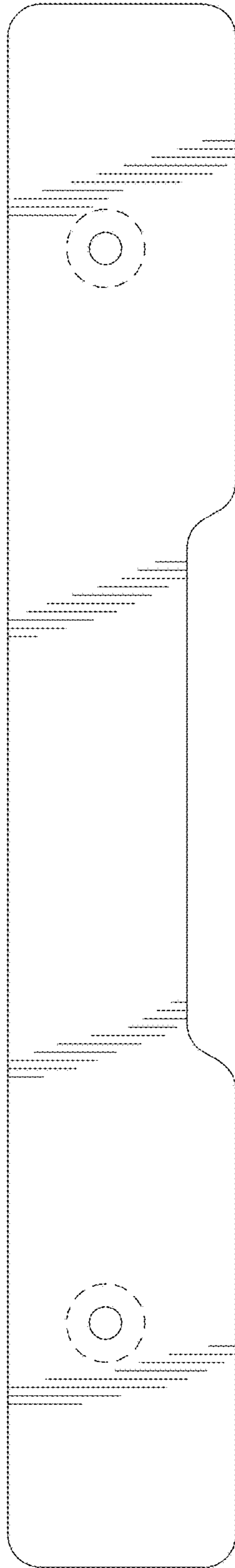


FIG. 5

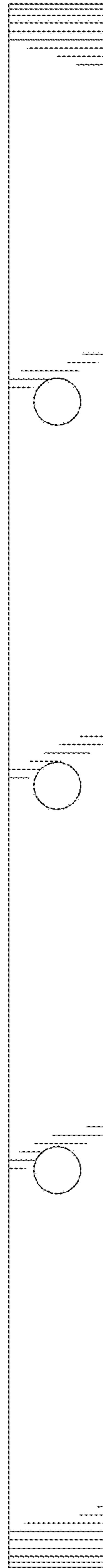


FIG. 6

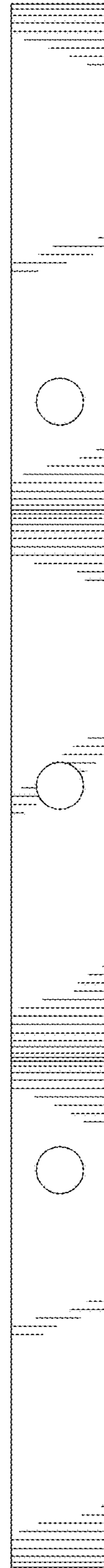


FIG. 7