

US00D796924S

(12) **United States Design Patent**
Albertson

(10) **Patent No.:** **US D796,924 S**

(45) **Date of Patent:** **** Sep. 12, 2017**

- (54) **SOCKET WRENCH SELECTOR**
- (71) Applicant: **Robert V. Albertson**, Mound, MN (US)
- (72) Inventor: **Robert V. Albertson**, Mound, MN (US)
- (**) Term: **15 Years**
- (21) Appl. No.: **29/620,254**
- (22) Filed: **Sep. 7, 2016**
- (51) **LOC (10) Cl.** **08-05**
- (52) **U.S. Cl.**
USPC **D8/25**
- (58) **Field of Classification Search**
USPC D8/70, 71; D15/138, 139, 140;
D23/262; 82/158; 279/19.3, 19.5;
299/10, 104; 407/64, 99, 101, 102, 117;
408/143, 144, 223, 226, 239, 240
CPC B25B 13/48; B25B 13/02; B25B 13/04
See application file for complete search history.

- D529,778 S 10/2006 Albertson et al.
- D540,635 S 4/2007 Albertson et al.
- D572,737 S * 7/2008 Okamoto D15/143
- 7,444,902 B1 * 11/2008 Lin B25B 13/465
81/57.29
- 8,109,182 B2 * 2/2012 Chen B25B 13/465
81/62
- 8,720,309 B2 * 5/2014 Chen B25B 13/465
81/60
- 8,904,907 B2 12/2014 Douglass
- D771,453 S * 11/2016 Liu D8/25

* cited by examiner

Primary Examiner — Randall Gholson

(74) *Attorney, Agent, or Firm* — Richard O. Bartz

(57) **CLAIM**

The ornamental design of a socket wrench selector, as shown and described.

DESCRIPTION

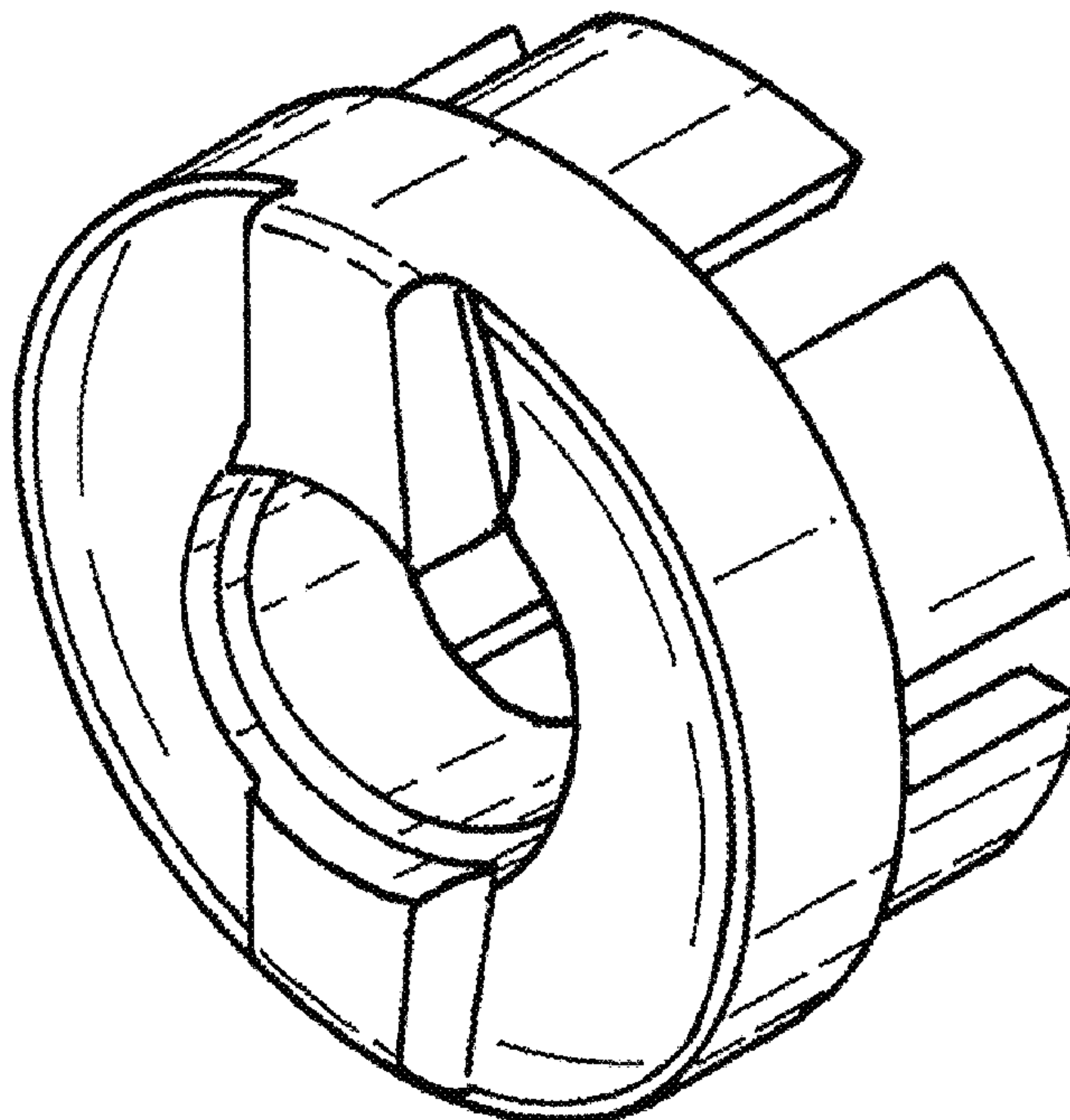
FIG. 1 is a perspective view of a first embodiment of a socket wrench selector of my new design; FIG. 2 is a front elevational view thereof; FIG. 3 is a top plan view thereof; FIG. 4 is a bottom plan view thereof; FIG. 5 is a left side elevational view thereof; FIG. 6 is a right side elevational view thereof; FIG. 7 is a rear elevational view thereof; FIG. 8 is a sectional view taken along line 8-8 of FIG. 1; FIG. 9 is a sectional view taken along line 9-9 of FIG. 2; and, FIG. 10 is a sectional view taken along line 10-10 of FIG. 2.

1 Claim, 3 Drawing Sheets

(56) **References Cited**

U.S. PATENT DOCUMENTS

- 4,004,666 A * 1/1977 Hinojosa B25B 13/462
192/44
- 4,545,267 A * 10/1985 Shumway B25B 13/467
81/57.29
- 5,970,825 A 10/1999 Barnett et al.
- 6,067,881 A 5/2000 Albertson
- 6,276,239 B1 8/2001 Albertson
- 6,516,688 B2 2/2003 Albertson
- 6,575,060 B1 * 6/2003 Tseng B25B 13/463
81/60
- D521,824 S 5/2006 Albertson et al.
- 7,104,165 B2 * 9/2006 Chu B25B 13/465
81/177.7



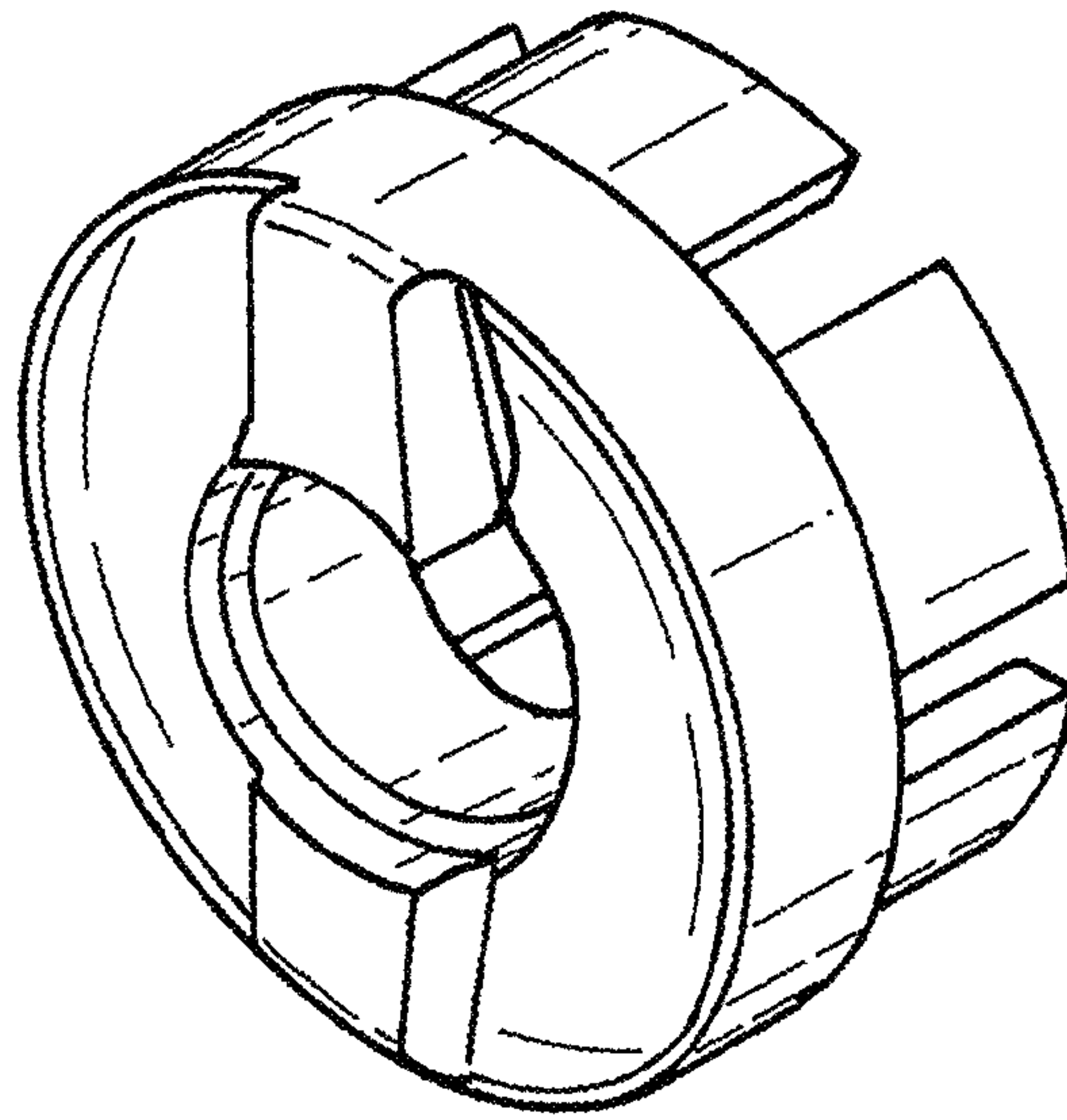


FIG.1

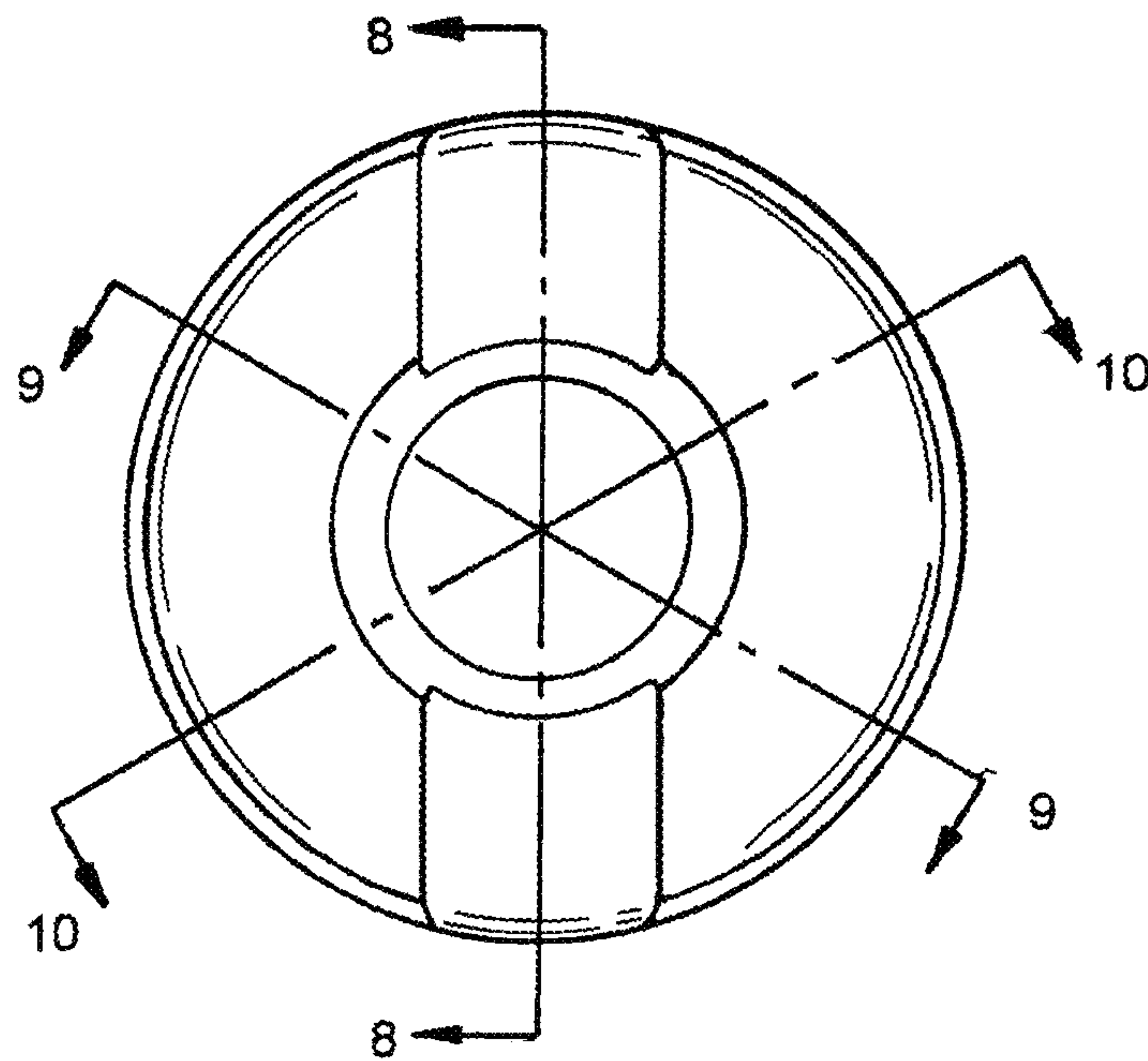


FIG.2

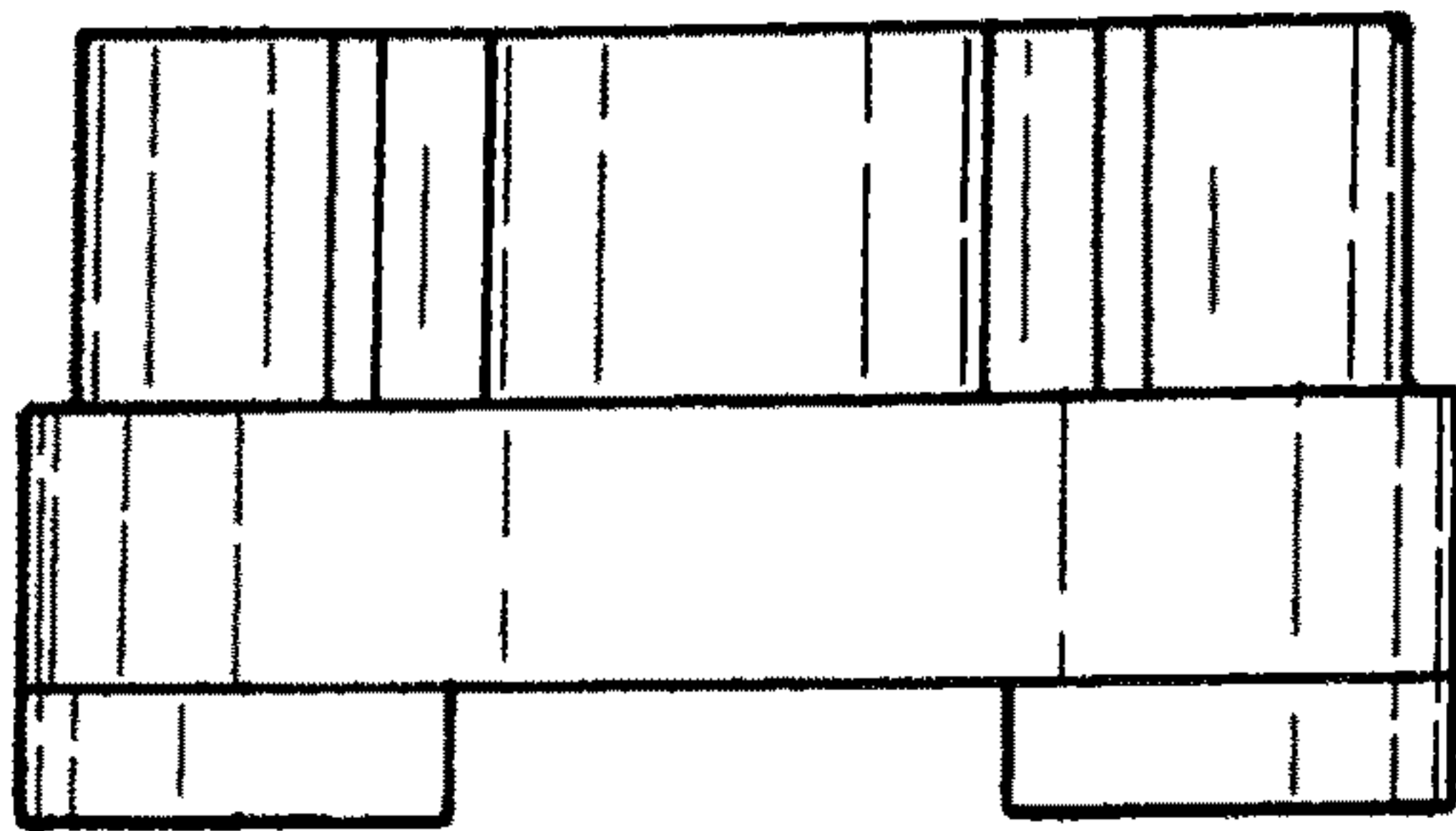


FIG.3

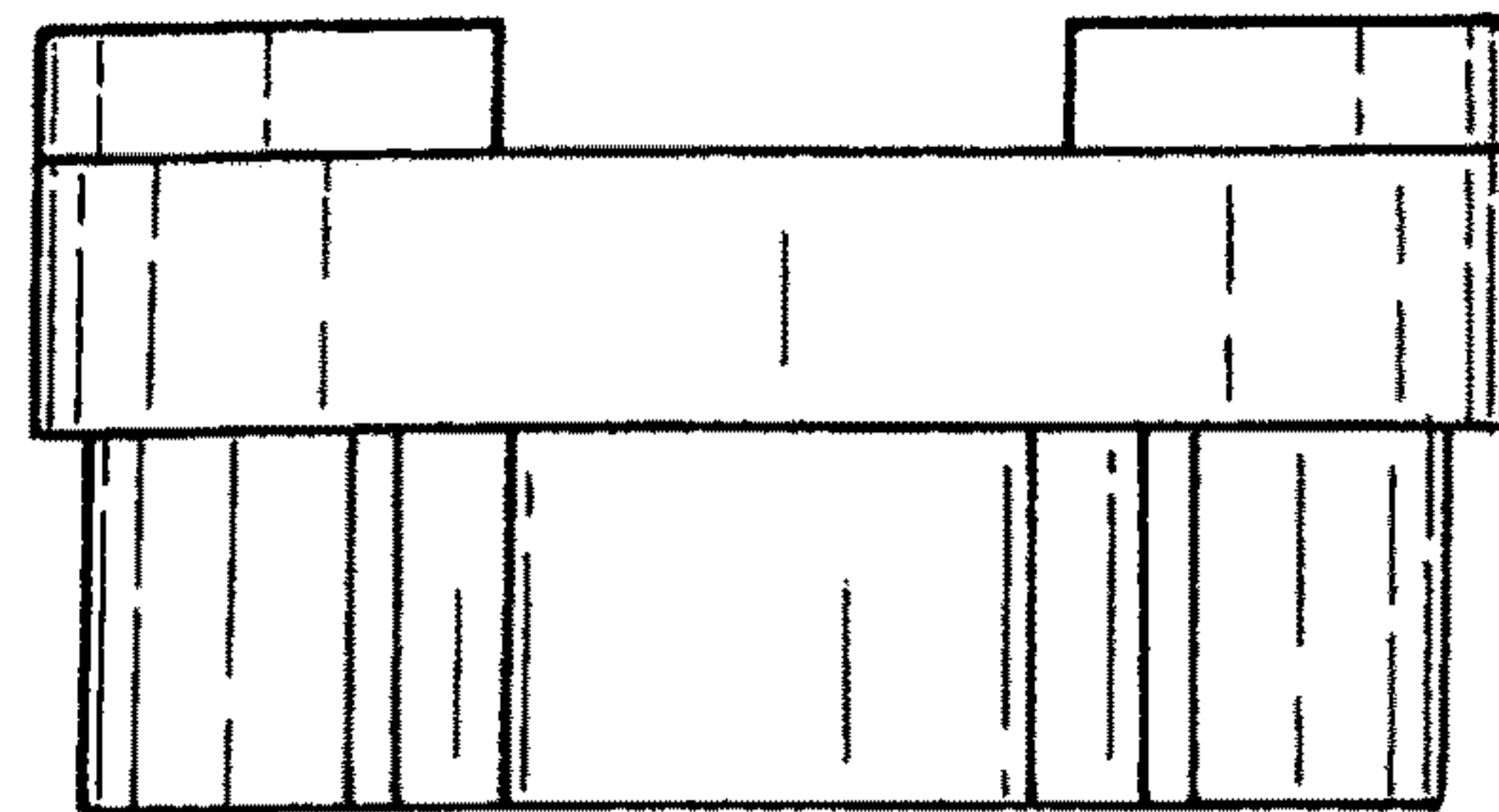


FIG.4

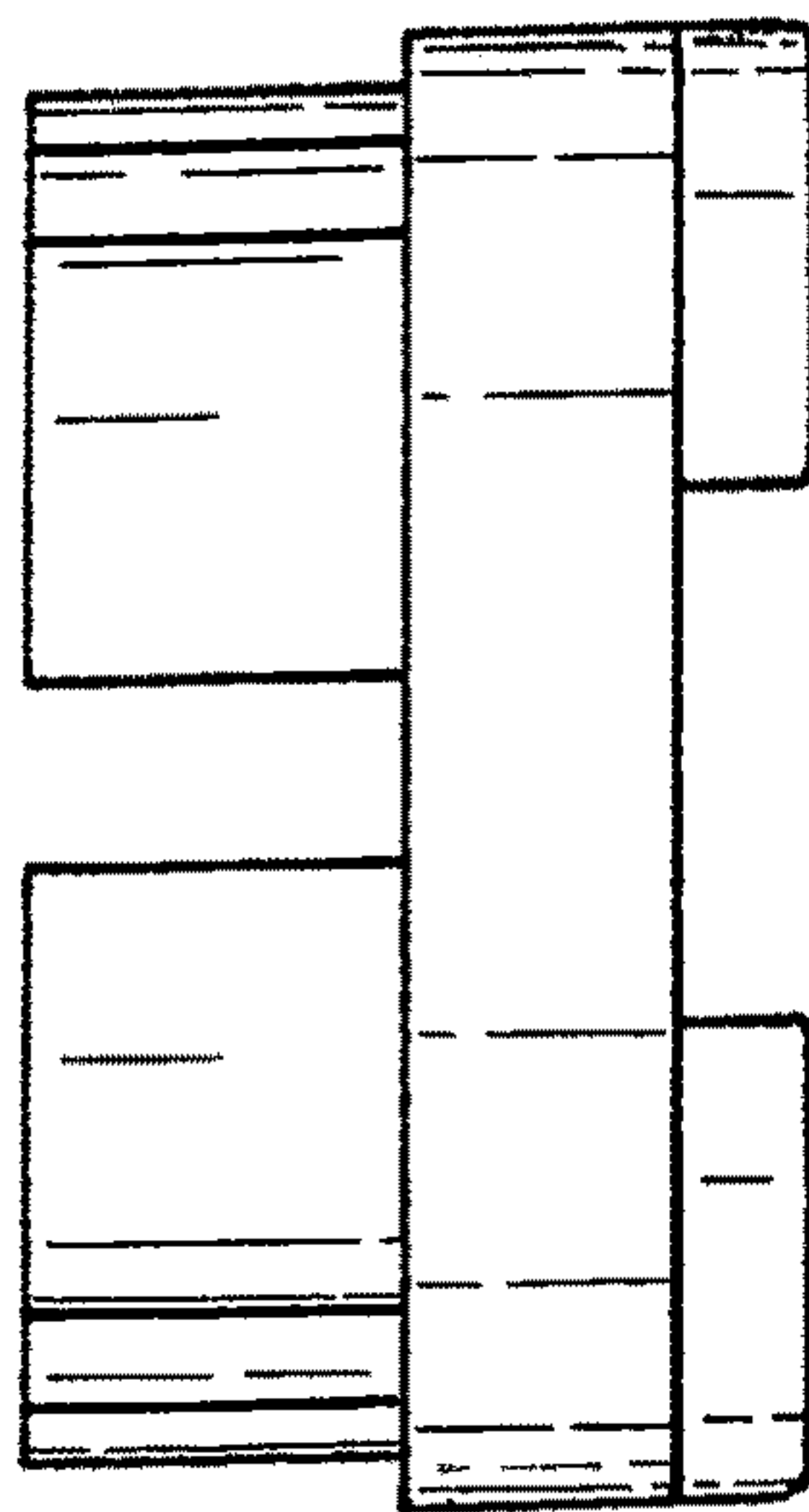


FIG.5

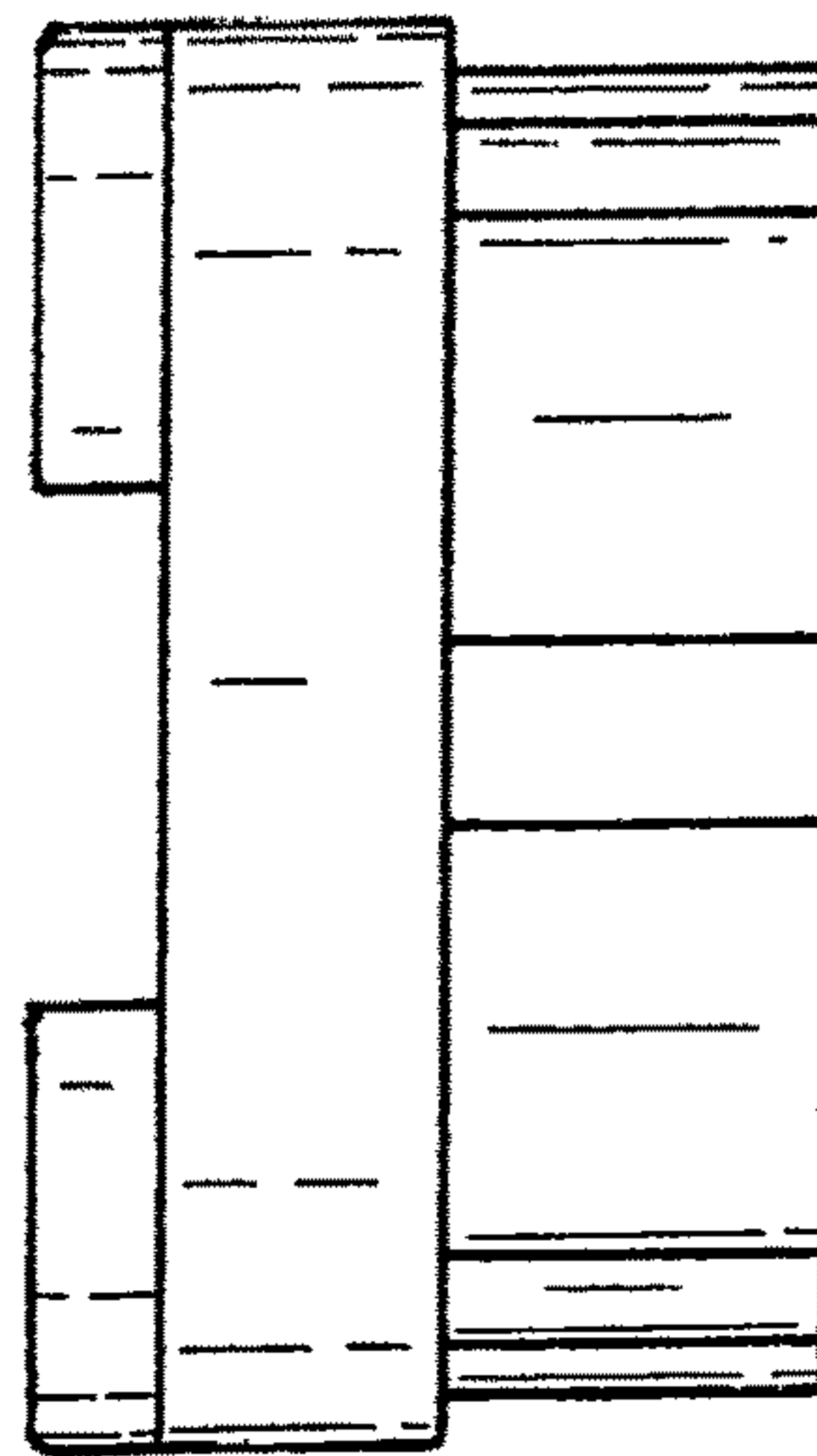


FIG.6

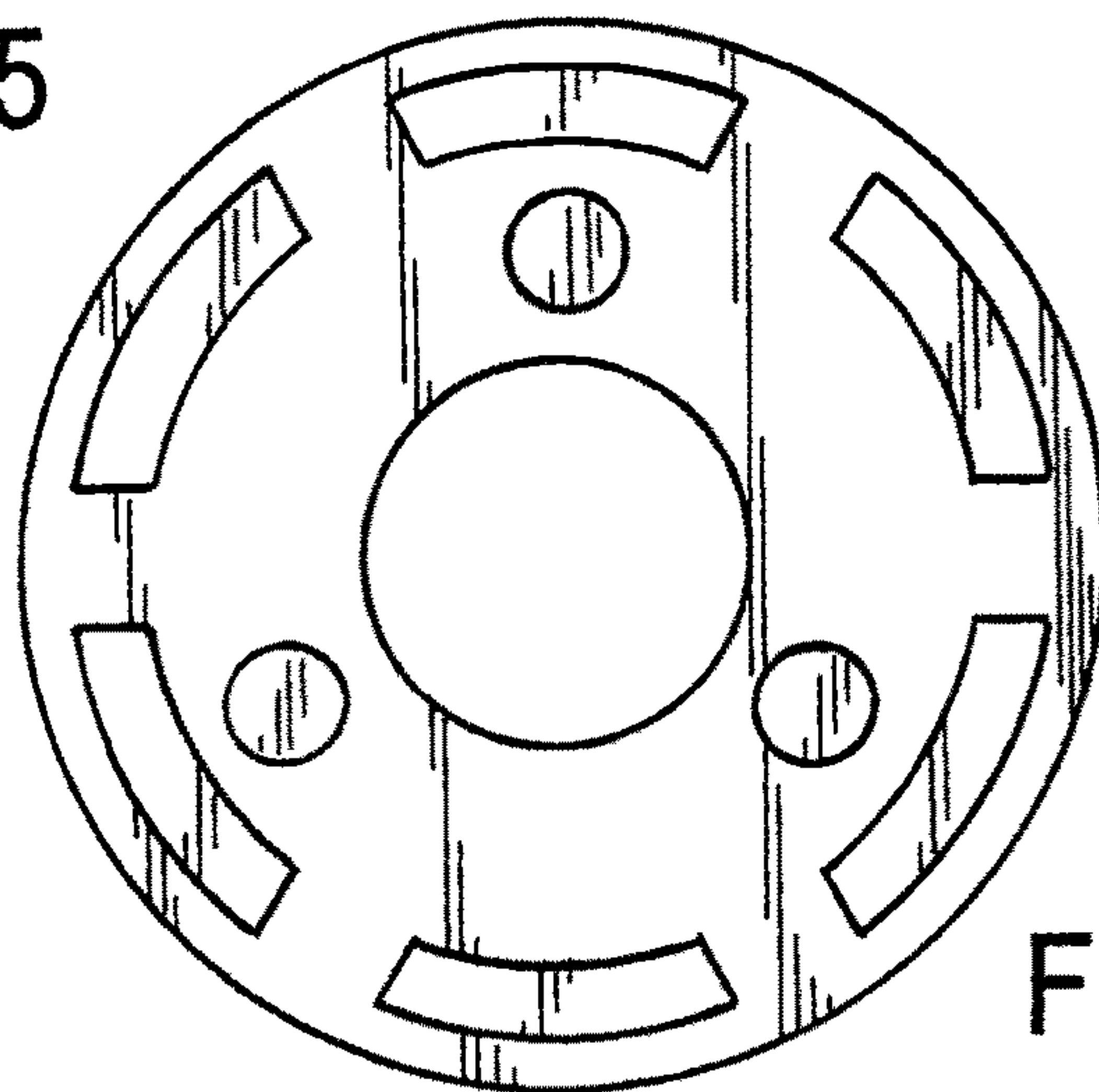


FIG.7

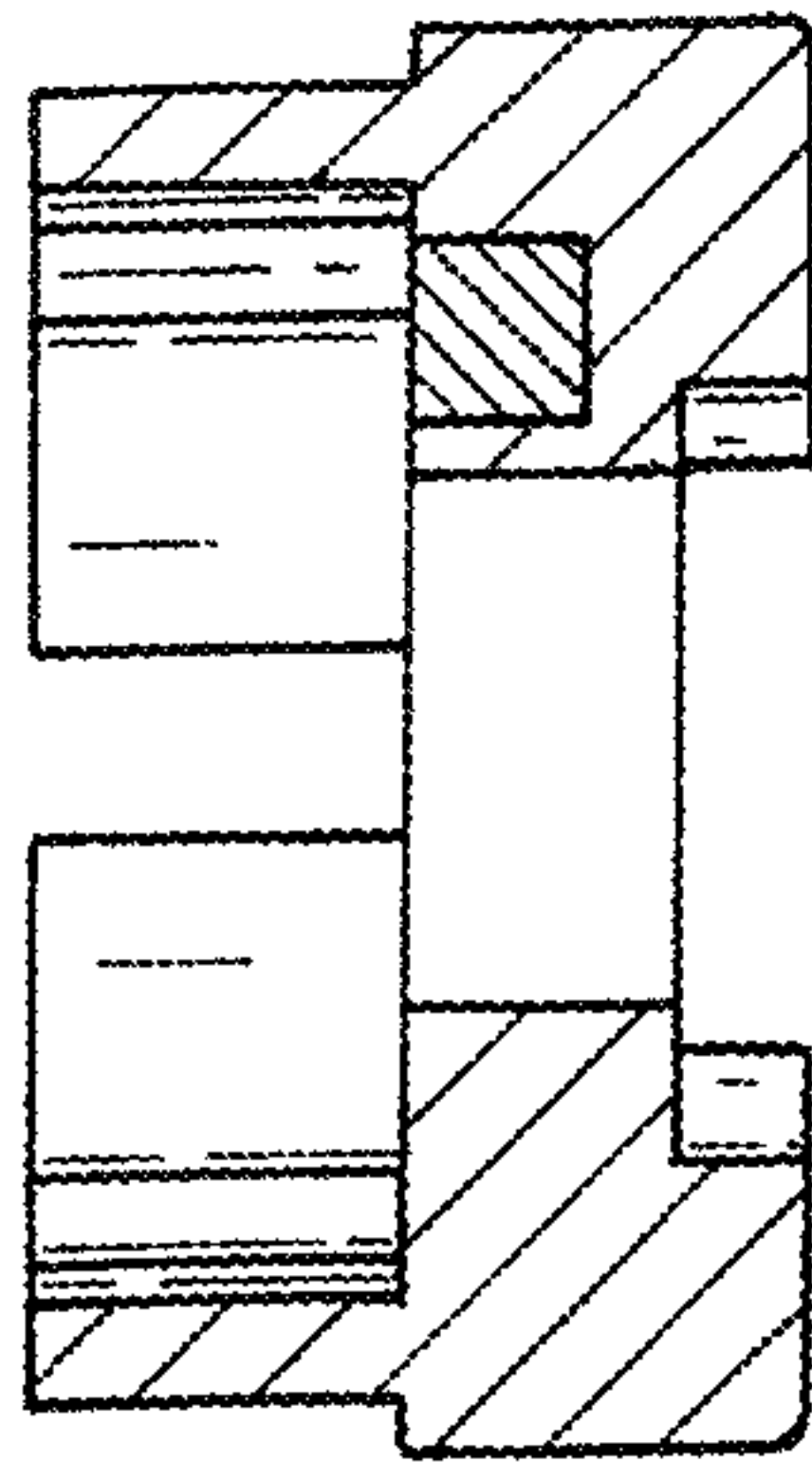


FIG. 8

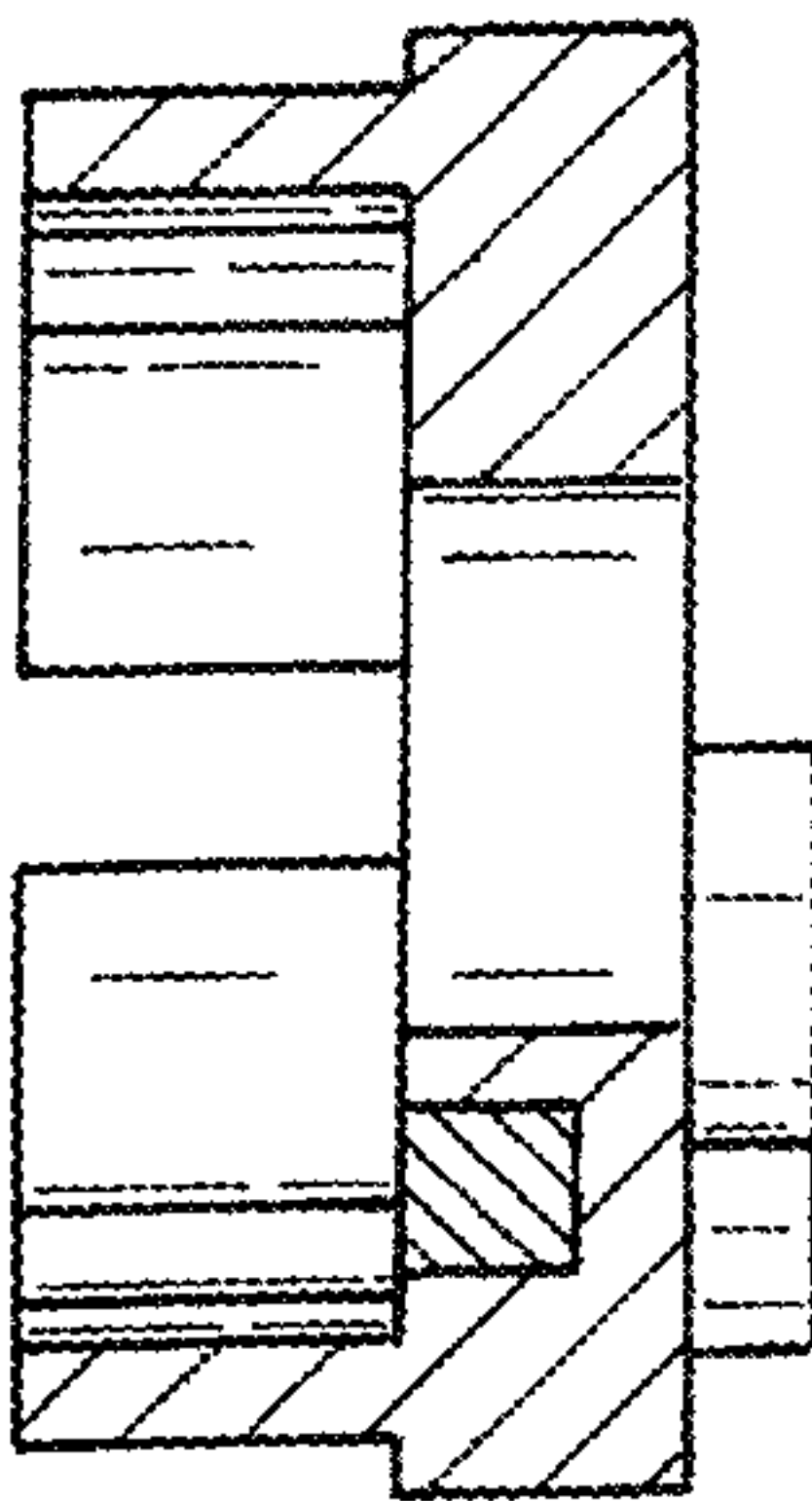


FIG. 9

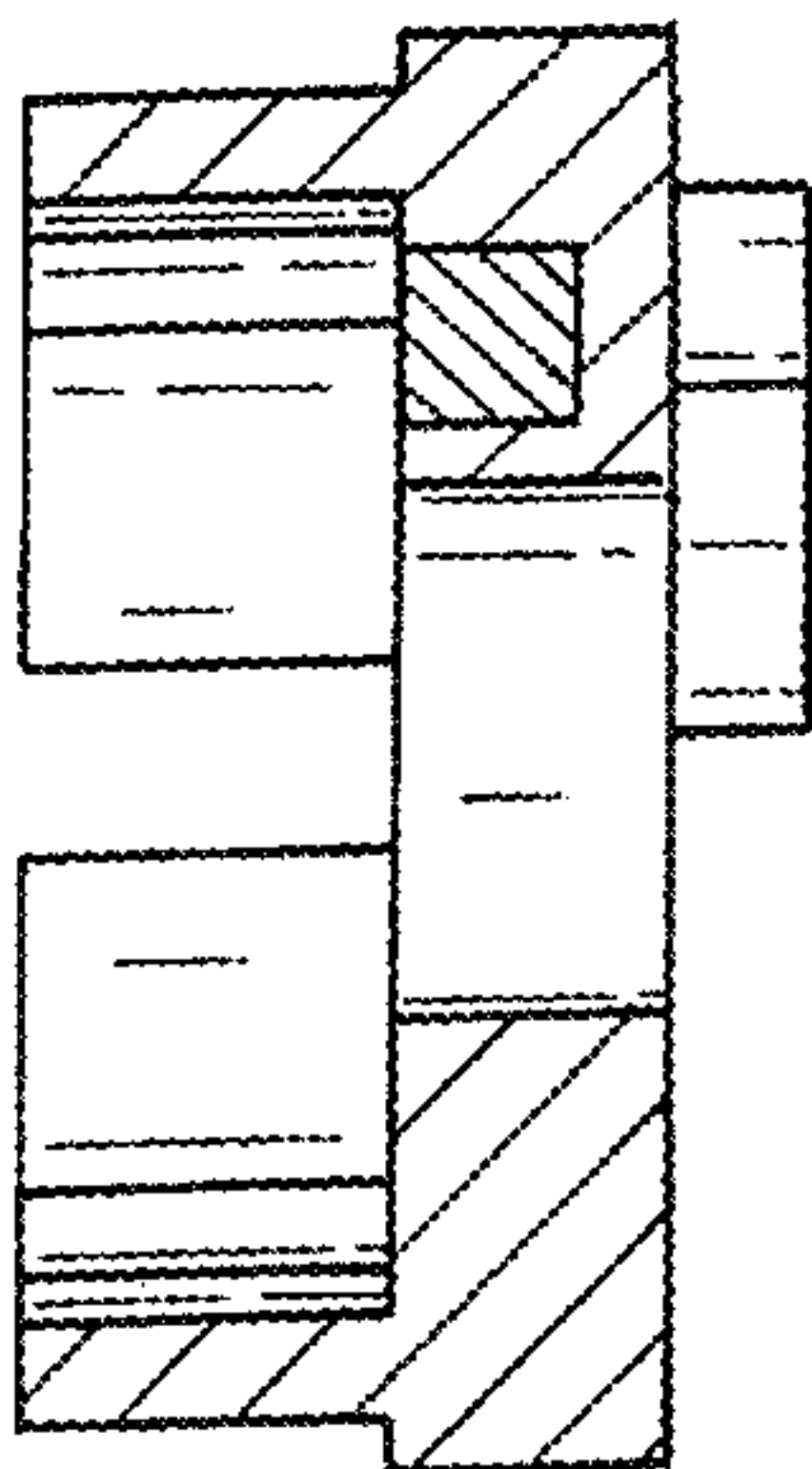


FIG. 10