



US00D796922S

(12) **United States Design Patent** (10) **Patent No.:** **US D796,922 S**  
**Hsu et al.** (45) **Date of Patent:** **\*\* Sep. 12, 2017**

- (54) **POWERED HAND-HELD SPREADER**
- (71) Applicant: **OMS Investments, Inc.**, Los Angeles, CA (US)
- (72) Inventors: **Paul E. Hsu**, Lewis Center, OH (US); **Paul M. Havlovitz**, Dublin, OH (US); **Ryan R. Berger**, Columbus, OH (US); **Chris W. Cicenas**, Etna, OH (US); **Daniel Wisniewski**, Columbus, OH (US); **Johannes Hertrich**, Columbus, OH (US)
- (73) Assignee: **OMS Investments, Inc.**, Los Angeles, CA (US)

D232,802 S *	9/1974	Steinkamp et al.	38/69
3,993,225 A	11/1976	Manni	
4,071,170 A	1/1978	Gunzel et al.	
4,089,441 A	5/1978	Cole et al.	
4,140,280 A	2/1979	Allen et al.	
4,387,852 A	6/1983	Mattson et al.	
4,492,341 A	1/1985	Allen	

(Continued)

(\*\*) Term: **15 Years**

(21) Appl. No.: **29/536,927**

(22) Filed: **Aug. 20, 2015**

(51) **LOC (10) Cl.** ..... **08-01**

(52) **U.S. Cl.**  
USPC ..... **D8/2; D15/13**

(58) **Field of Classification Search**  
USPC ..... D15/13; D8/2; D32/17; 239/654, 663, 239/686, 526, 375, 379, 652, 653, 683, 239/154, 687, 668, 681; 406/102, 98, 406/135; 222/75, 324, 473, 175  
CPC ..... A01C 15/02; A01C 15/00; A01C 15/04; A01C 15/006; A01C 7/00; A01C 7/02; E01C 19/203; E01C 19/205; E01C 2019/206; E01H 10/007; A01M 9/003; A01M 9/0007; A01M 9/038; A01M 9/0046

See application file for complete search history.

(56) **References Cited**

**U.S. PATENT DOCUMENTS**

3,157,402 A *	11/1964	Love, Jr.	A01C 17/00
			222/317
3,227,461 A *	1/1966	Love, Jr.	A01C 15/02
			222/317

**OTHER PUBLICATIONS**

“Black & Decker Motorised Law Seed/Fertiliser Spreader: Amazon.co.uk: DIY Tools,” <http://www.amazon.co.uk/Black-Decker-Motorised-Fertiliser-Spreader/dp/B000NY1E8K>, front page [Internet accessed on Feb. 25, 2015].

(Continued)

*Primary Examiner* — Mark Goodwin

(74) *Attorney, Agent, or Firm* — Ulmer & Berne LLP

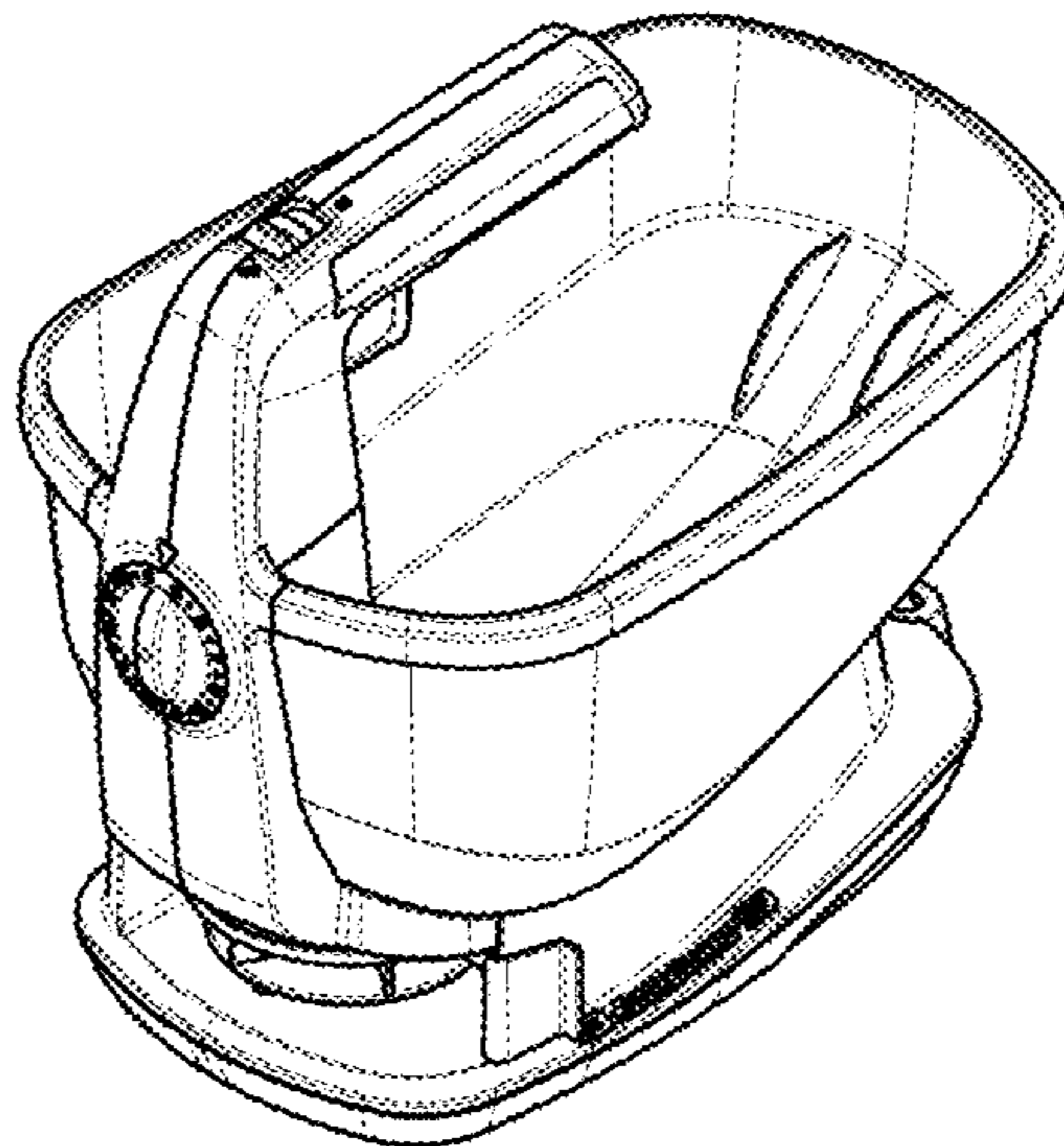
(57) **CLAIM**

We claim the ornamental design for a powered hand-held spreader, as shown and described.

**DESCRIPTION**

FIG. 1 depicts a front perspective view of a powered hand-held spreader;  
FIG. 2 is a rear perspective view thereof;  
FIG. 3 is a front bottom perspective view thereof;  
FIG. 4 is a rear bottom perspective view thereof;  
FIG. 5 is top plan view thereof;  
FIG. 6 is a bottom plan view of thereof;  
FIG. 7 is a right side elevational view thereof;  
FIG. 8 is a left side elevational view thereof;  
FIG. 9 is a front elevational view thereof;  
FIG. 10 is a rear elevational view thereof;  
FIG. 11 is a side perspective view thereof;  
FIG. 12 is a top perspective view thereof; and,  
FIG. 13 is a second front perspective view thereof.

**1 Claim, 13 Drawing Sheets**



(56)

**References Cited**

U.S. PATENT DOCUMENTS

4,678,377	A	7/1987	Bouchard	
5,119,993	A	6/1992	Gunzel et al.	
5,123,598	A	6/1992	Courtney et al.	
D327,823	S *	7/1992	Demarest .....	D15/13
D333,951	S *	3/1993	Courtney .....	D8/2
5,285,971	A	2/1994	Havlovitz	
5,409,166	A	4/1995	Gunzel et al.	
5,429,278	A	7/1995	Sansalone	
D387,638	S *	12/1997	DeLaby .....	D8/2
6,024,294	A	2/2000	Dillon	
6,092,746	A	7/2000	Dillon	
6,425,500	B2	7/2002	McNally	
6,616,074	B2	9/2003	Courtney	
6,729,557	B2	5/2004	Dillon	
6,840,468	B2	1/2005	Barnett	
D534,044	S *	12/2006	Zak .....	D15/13
7,281,675	B2	10/2007	Elrod et al.	
7,328,861	B2	2/2008	Sagol et al.	
8,272,584	B2	9/2012	Barnett et al.	
D744,303	S *	12/2015	Marconi .....	D15/13
2007/0194155	A1	8/2007	Kendall	
2013/0001332	A1	1/2013	Marconi	
2014/0166785	A1	6/2014	Barnett et al.	
2014/0263484	A1	9/2014	Marconi	
2017/0049042	A1 *	2/2017	Hsu .....	E01H 10/007

OTHER PUBLICATIONS

“New Ready 2Go Spreader,” <http://www.ready2gospreader.com/> 4 pages. [Internet accessed on Feb. 25, 2015].  
 “WOLF Garten Power Spreader WE-B,” spec page (Jan. 2014).  
 Detail view of “WOLF Garten WE-B Power Spreader,” <http://www.wolf-garten.org/products/seeds-and-fertiliser/spreaders-and-hose-reel-trolleysdetails>, 5 pages [Internet accessed on Nov. 23, 2015].

\* cited by examiner

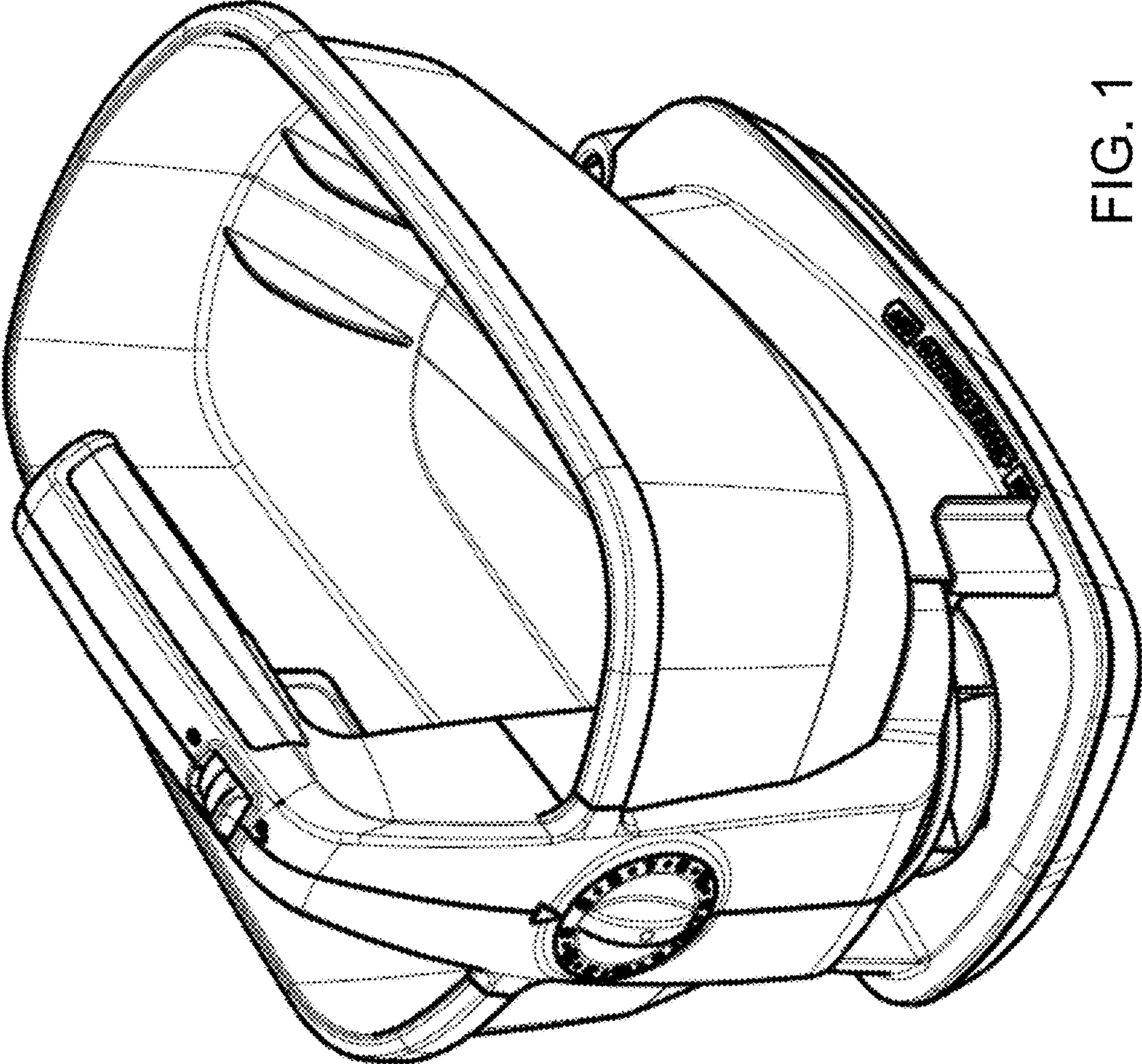


FIG. 1

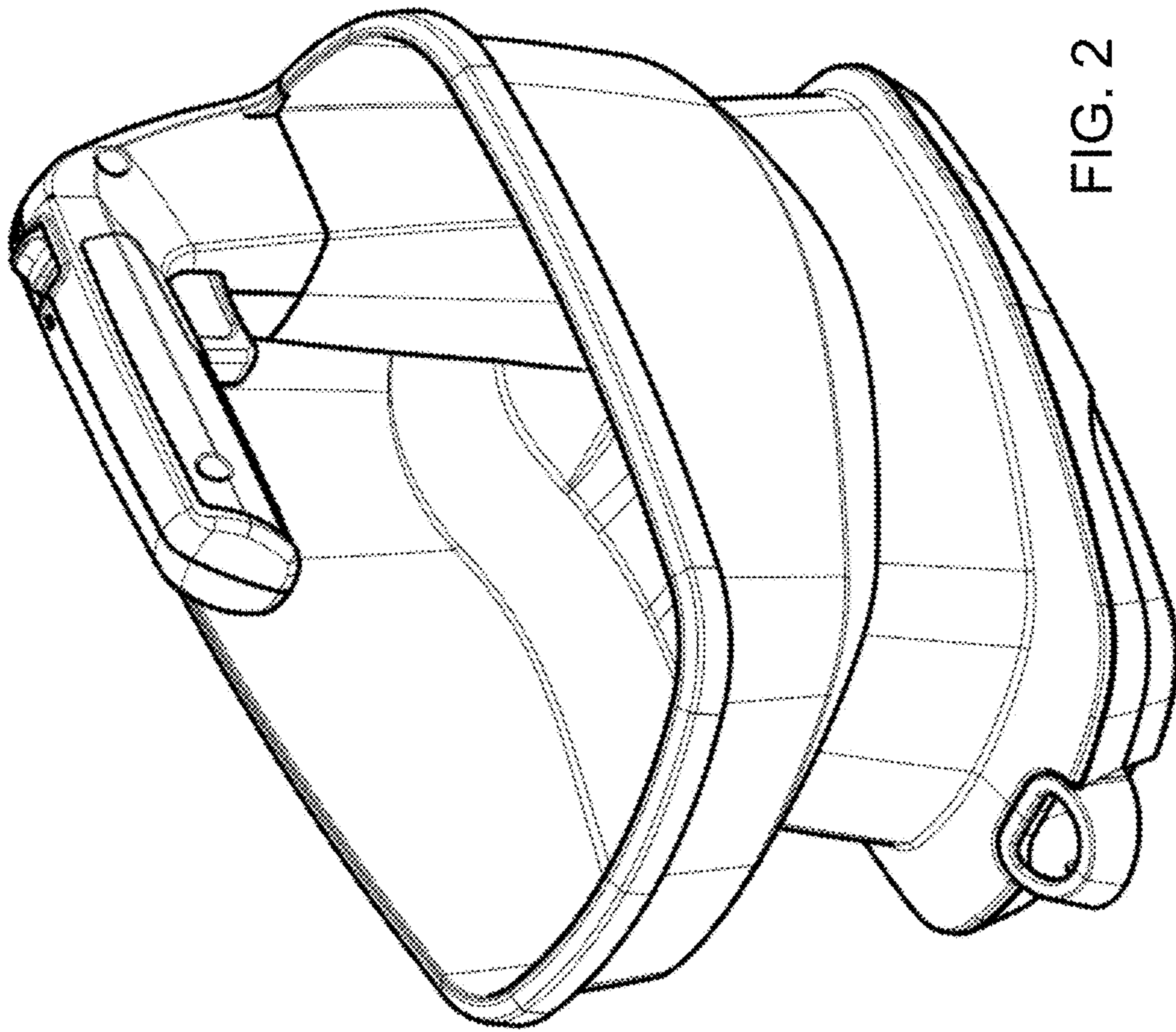


FIG. 2

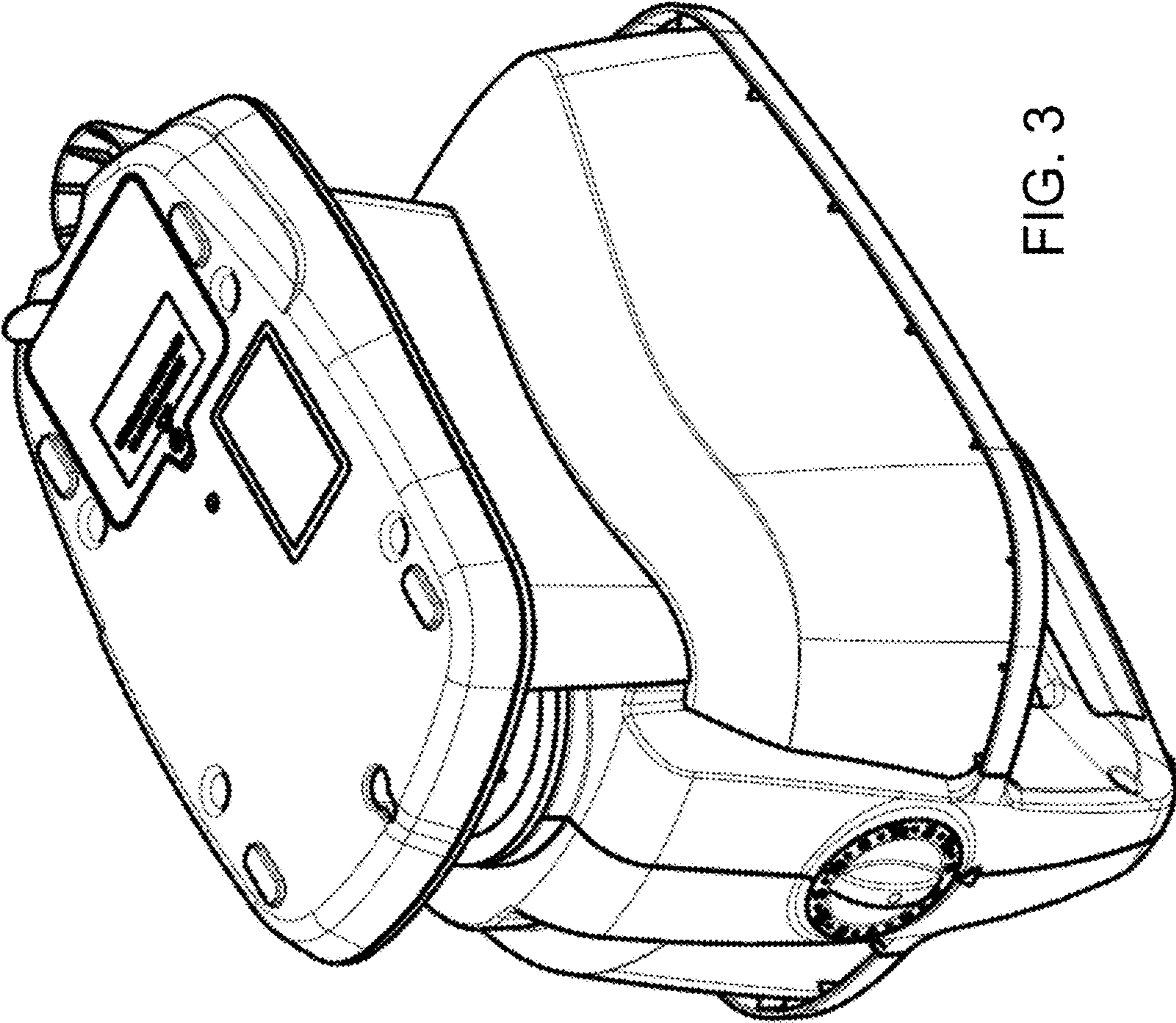


FIG. 3

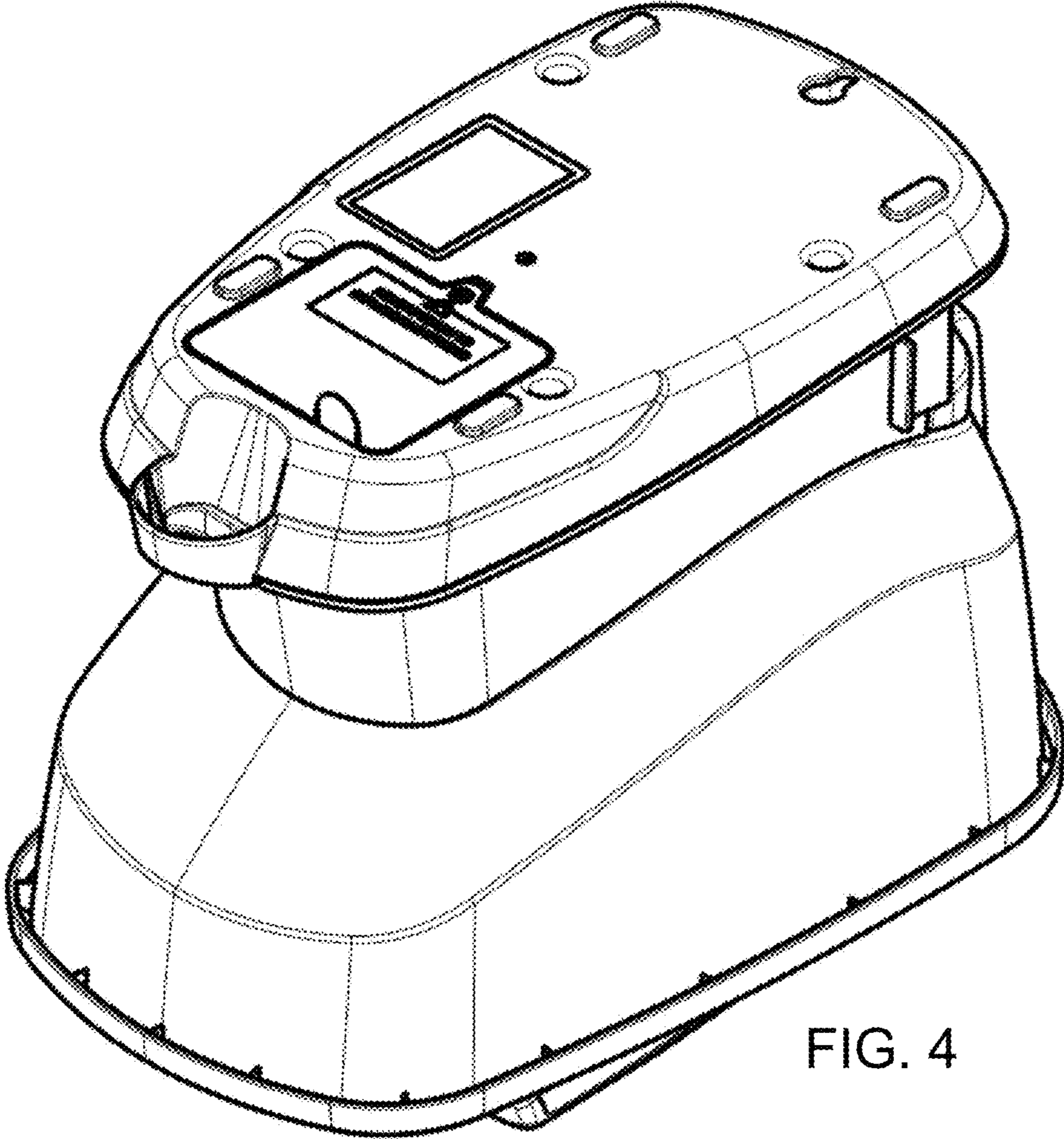


FIG. 4

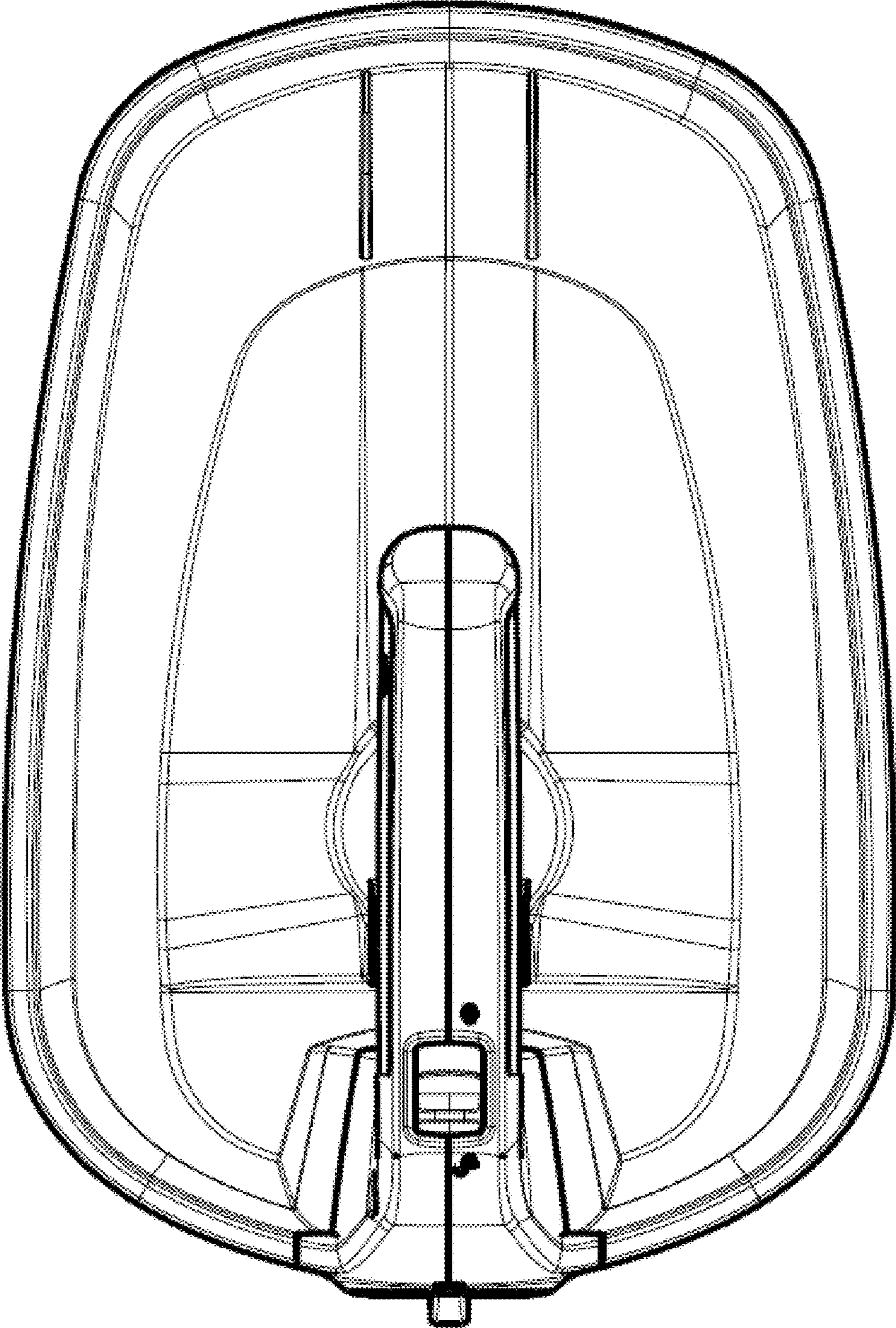


FIG. 5

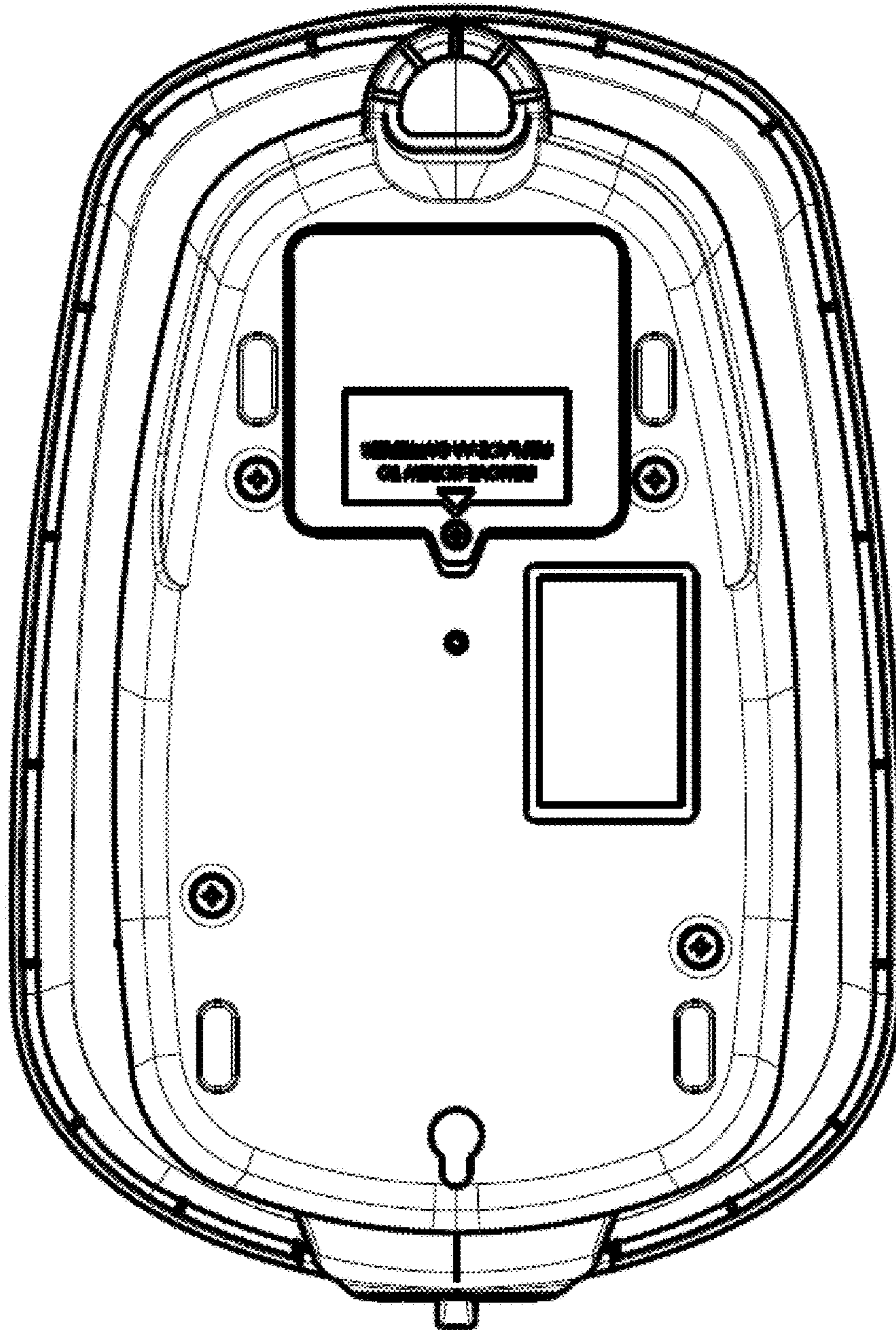
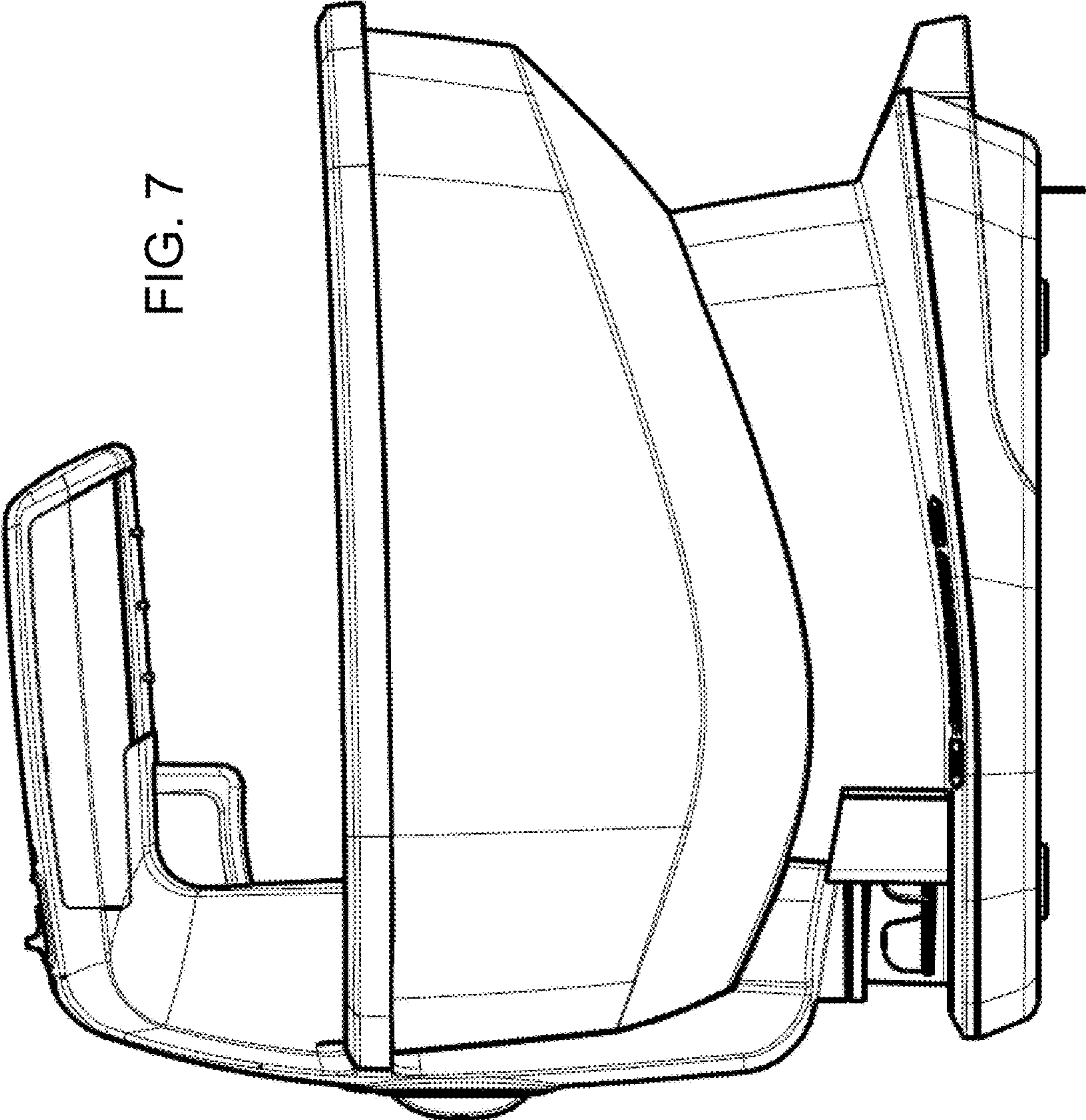


FIG. 6



FIG. 7



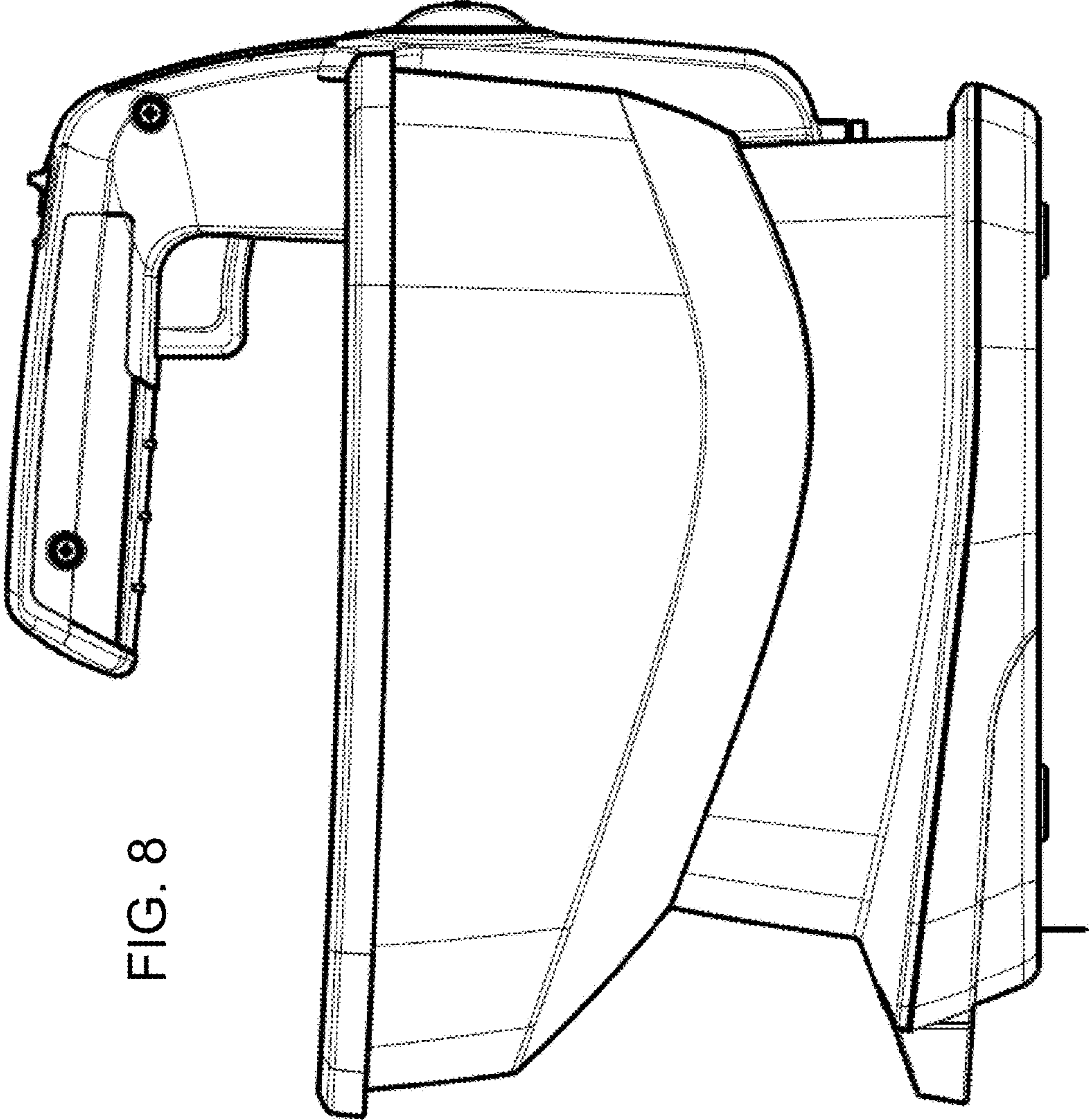


FIG. 8

FIG. 9

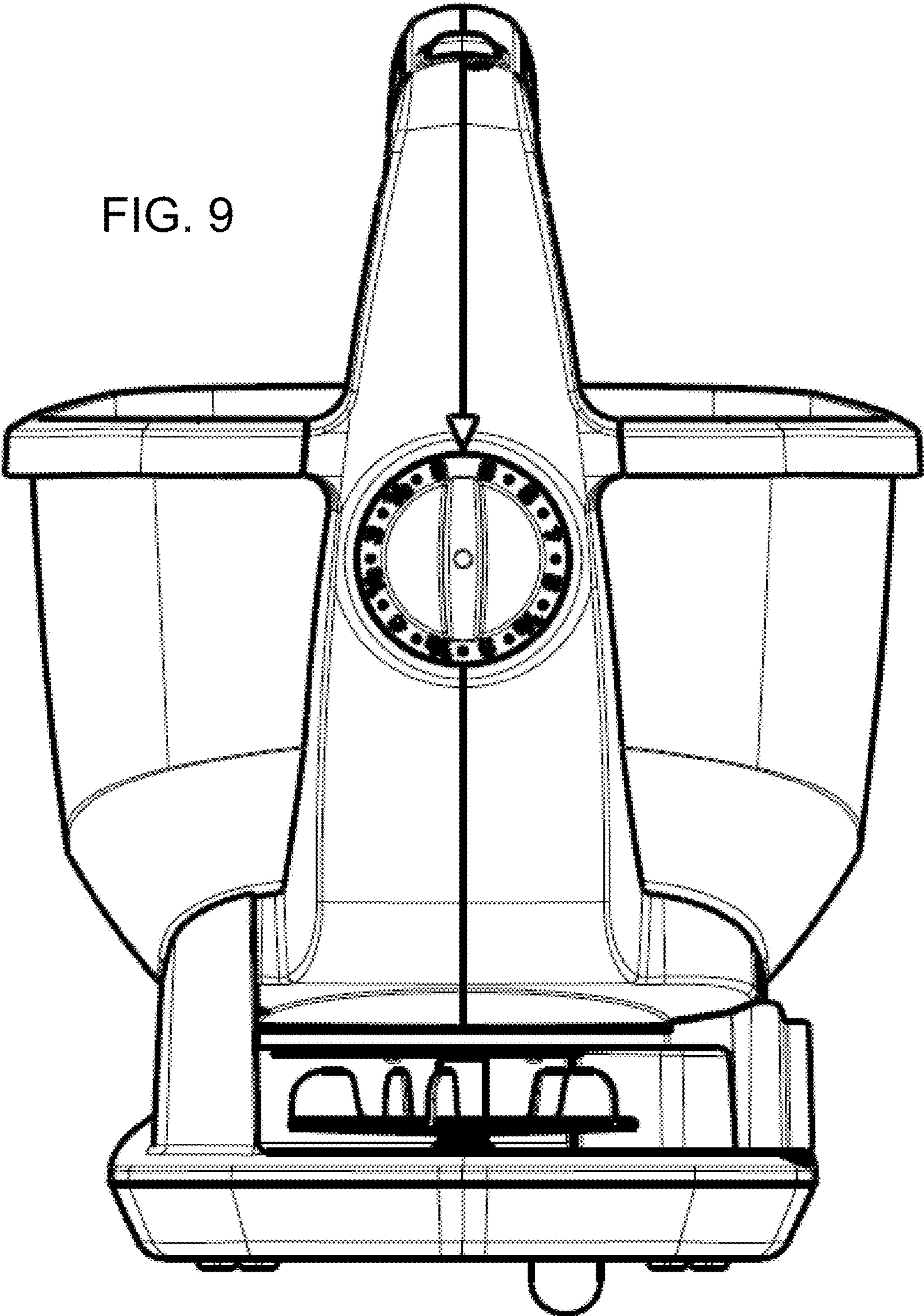


FIG. 10

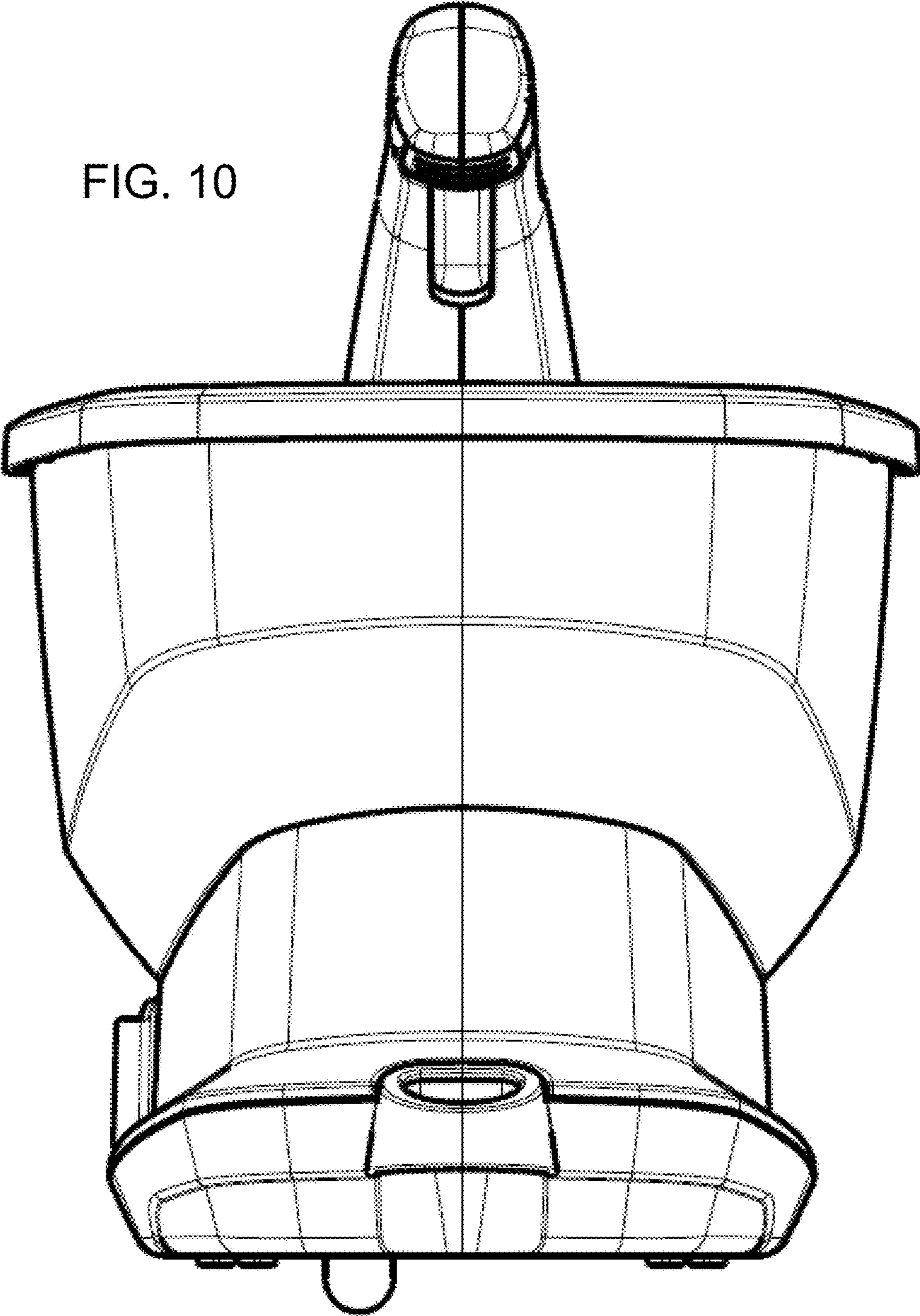
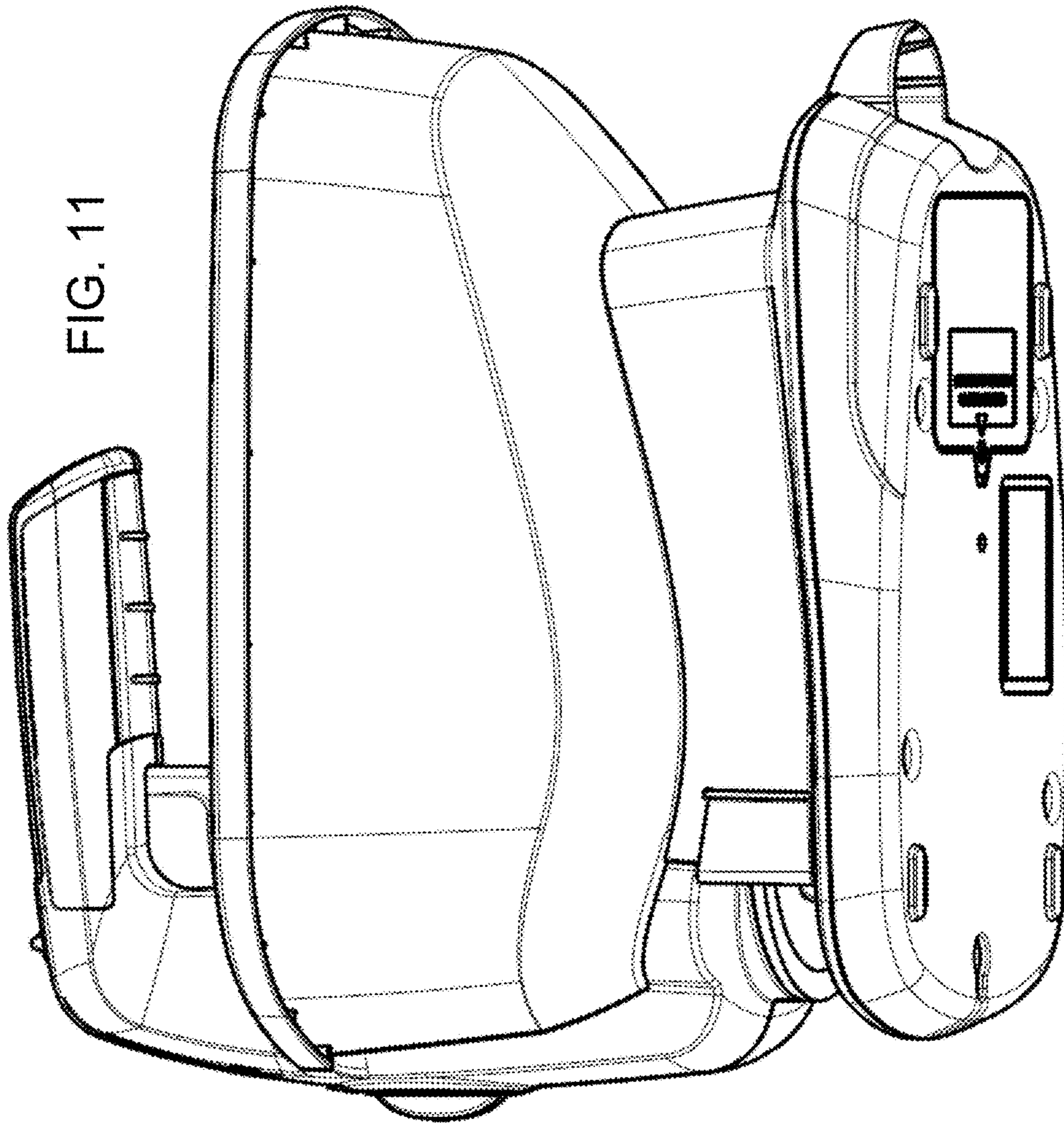


FIG. 11



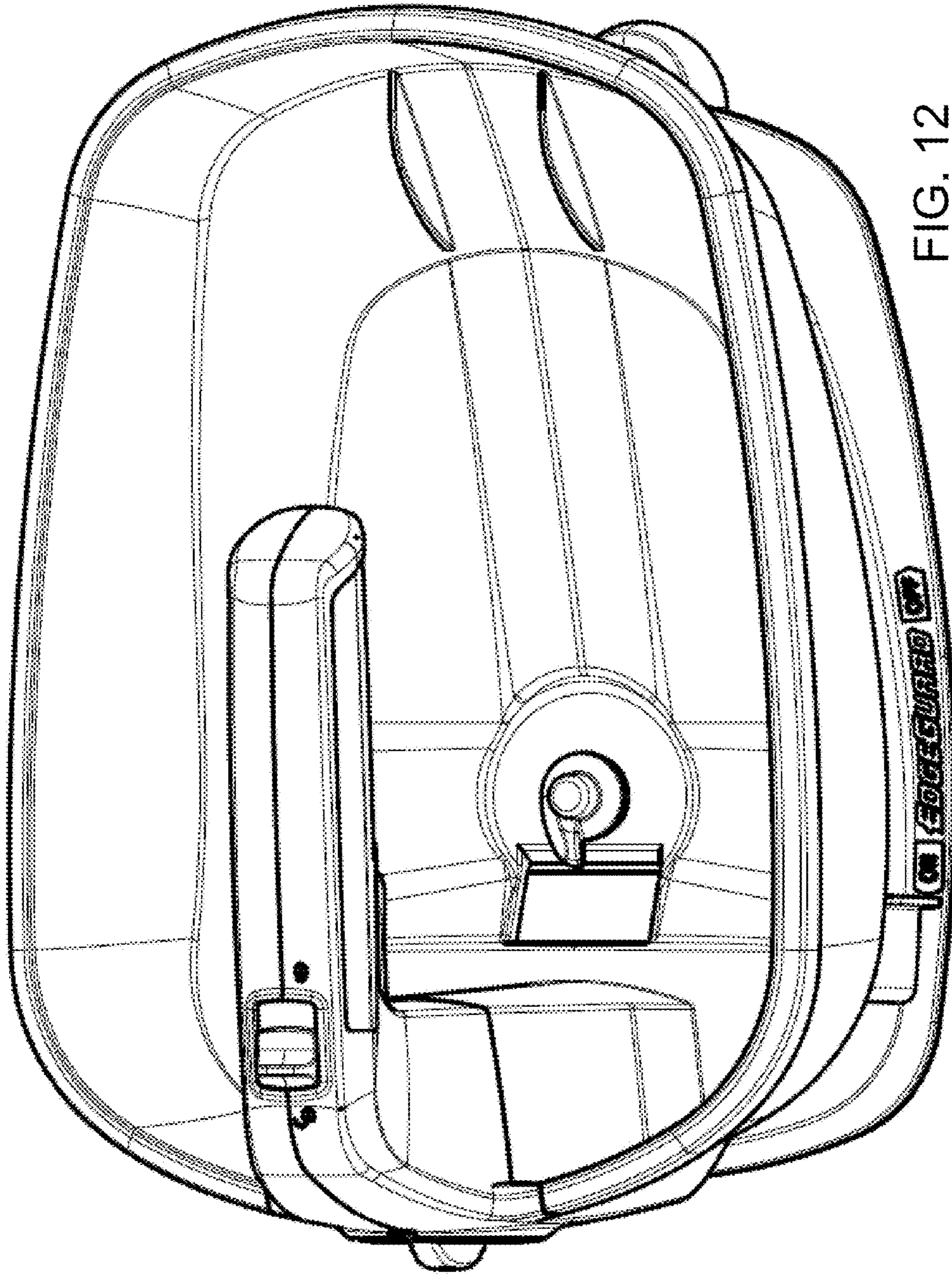


FIG. 12

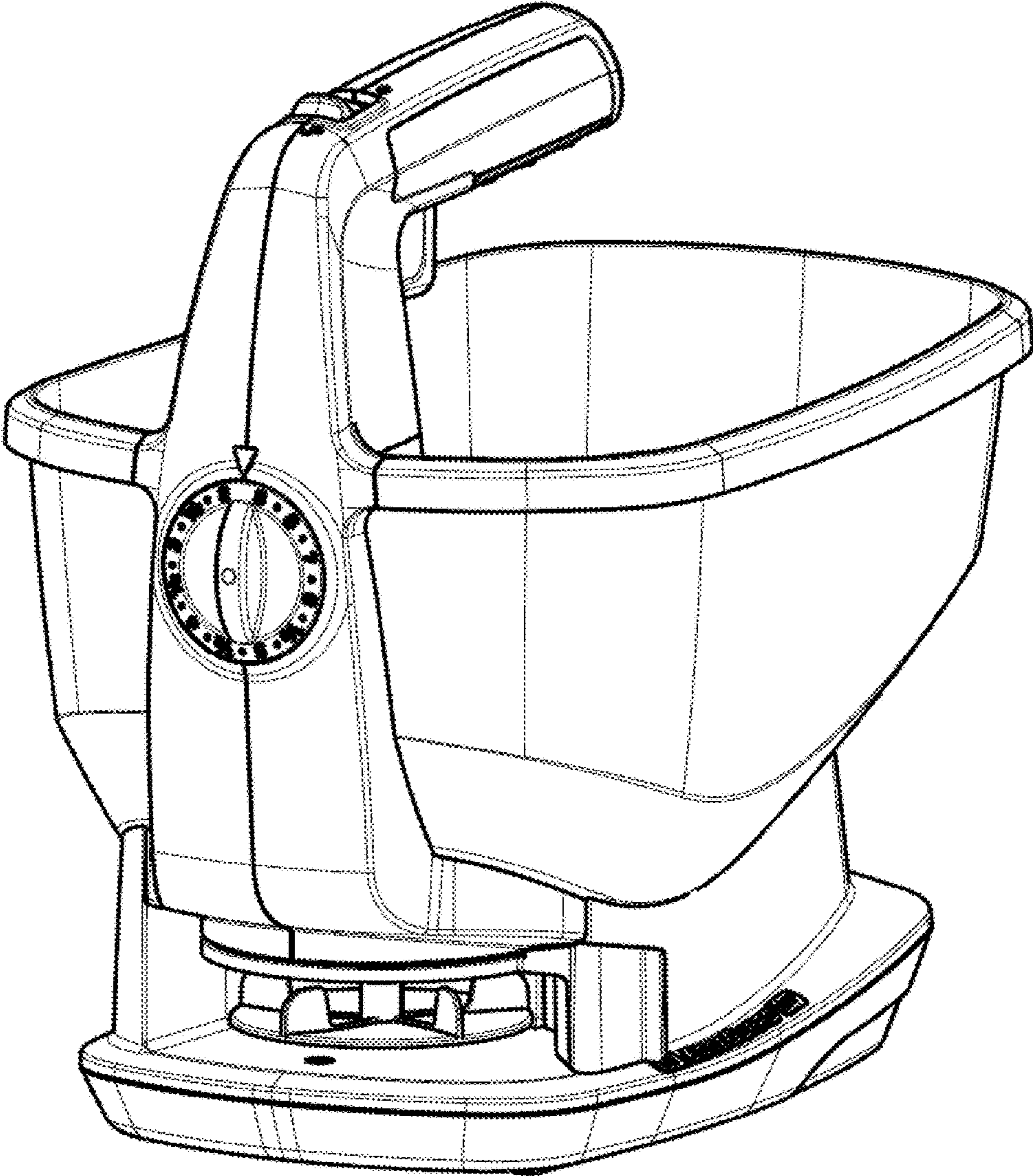


FIG. 13