



US00D796921S

(12) **United States Design Patent**
Paternostre et al.

(10) **Patent No.:** **US D796,921 S**

(45) **Date of Patent:** **** Sep. 12, 2017**

- (54) **FIVE BULB PIN TRAY**
- (71) Applicant: **Bloomaker USA, Inc.**, Waynesboro, VA (US)
- (72) Inventors: **Joep Paternostre**, Waynesboro, VA (US); **Lilian Paternostre**, Waynesboro, VA (US); **Kenneth Bruce Tenney**, Winchester, VA (US)
- (73) Assignee: **Bloomaker USA, Inc.**, Waynesboro, VA (US)
- (**) Term: **15 Years**
- (21) Appl. No.: **29/559,636**
- (22) Filed: **Mar. 30, 2016**
- (51) **LOC (10) Cl.** **08-01**
- (52) **U.S. Cl.**
USPC **D8/1**
- (58) **Field of Classification Search**
USPC D8/1; D9/341, 760, 750, 762; D11/152
CPC B65D 71/72; B65D 85/52; A01G 9/104; A01G 9/12; A01G 9/02; A01G 13/0237
See application file for complete search history.

- 2,293,531 A * 8/1942 Brooks A01G 13/0237 206/423
- D210,302 S * 2/1968 Lansford D11/152
- 4,053,099 A * 10/1977 Lock B65D 71/72 206/562
- D320,340 S * 10/1991 Rademacher D9/760
- 5,287,651 A * 2/1994 de Graaf A01G 31/001 47/65.9
- D393,188 S * 4/1998 Beiersdoerfer D8/1
- 6,161,331 A * 12/2000 Lalane A01G 9/104 206/423
- D498,432 S * 11/2004 Fan D11/152
- D695,137 S * 12/2013 Buckley D9/757
- D742,784 S * 11/2015 Harms D11/152
- D764,970 S * 8/2016 Kalliontzis D11/152
- 2017/0035001 A1 * 2/2017 Blackmore, Jr. A01G 9/104

* cited by examiner

Primary Examiner — Sheryl Lane

(74) *Attorney, Agent, or Firm* — Daniel L. Fitch, Esq.

(57) **CLAIM**

We claim the ornamental design for a five bulb pin tray, as shown and described.

DESCRIPTION

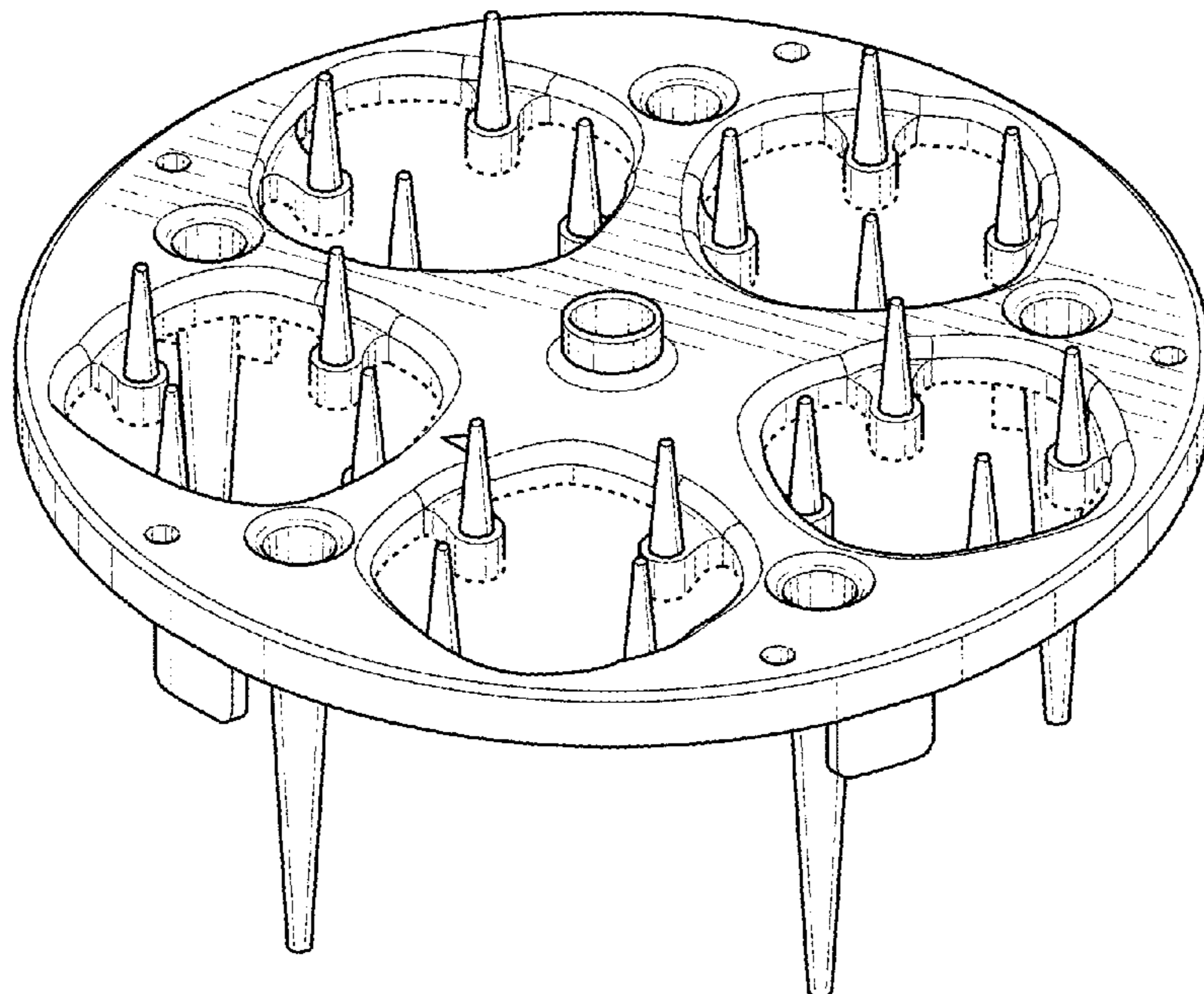
FIG. 1 is a front perspective view showing the new design; FIG. 2 is a front view thereof; FIG. 3 is a rear view thereof; FIG. 4 is a left side view thereof; FIG. 5 is a right side view thereof; FIG. 6 is a top view thereof; and, FIG. 7 is a bottom view thereof. The broken lines in the figures depict portions of the five bulb pin tray that form no part of the claimed design.

1 Claim, 5 Drawing Sheets

(56) **References Cited**

U.S. PATENT DOCUMENTS

- 1,499,165 A * 6/1924 France A01G 9/02 206/423
- 1,527,856 A * 2/1925 France A01G 9/12 248/175
- 1,651,772 A * 12/1927 Jackson A01G 9/12 47/41.13
- 1,826,547 A * 10/1931 Jackson A01G 9/02 47/41.13



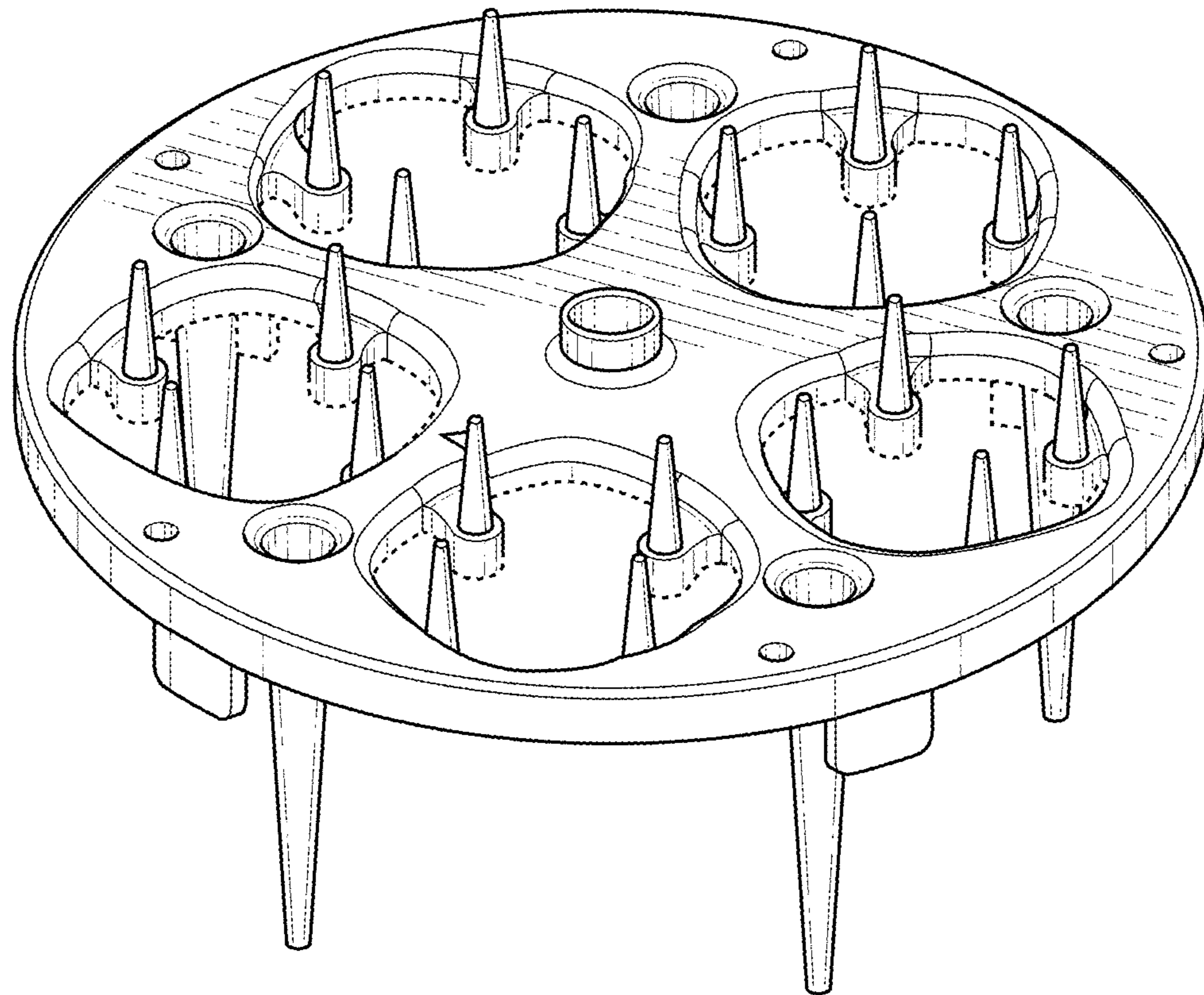


FIG. 1

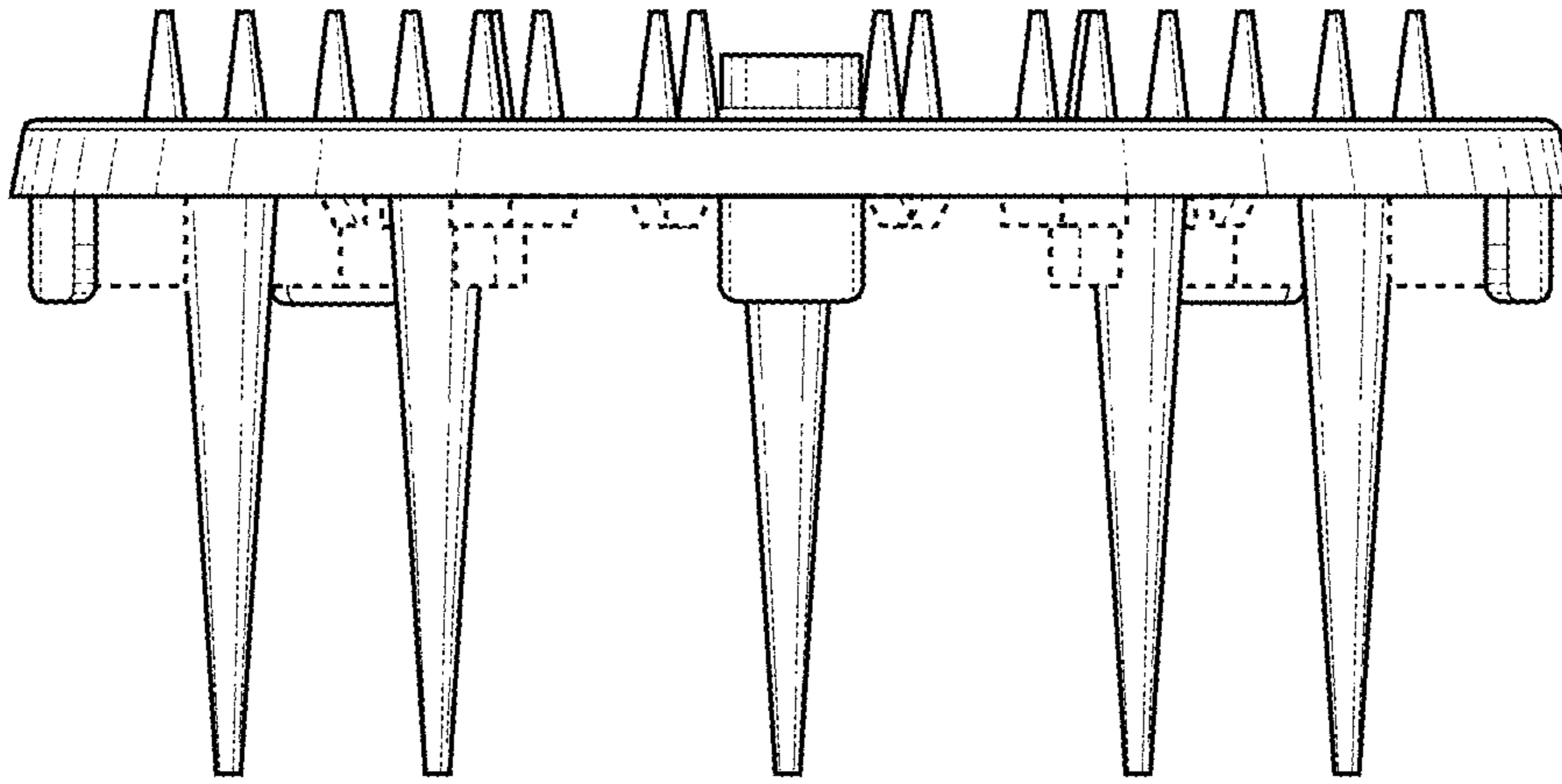


FIG. 2

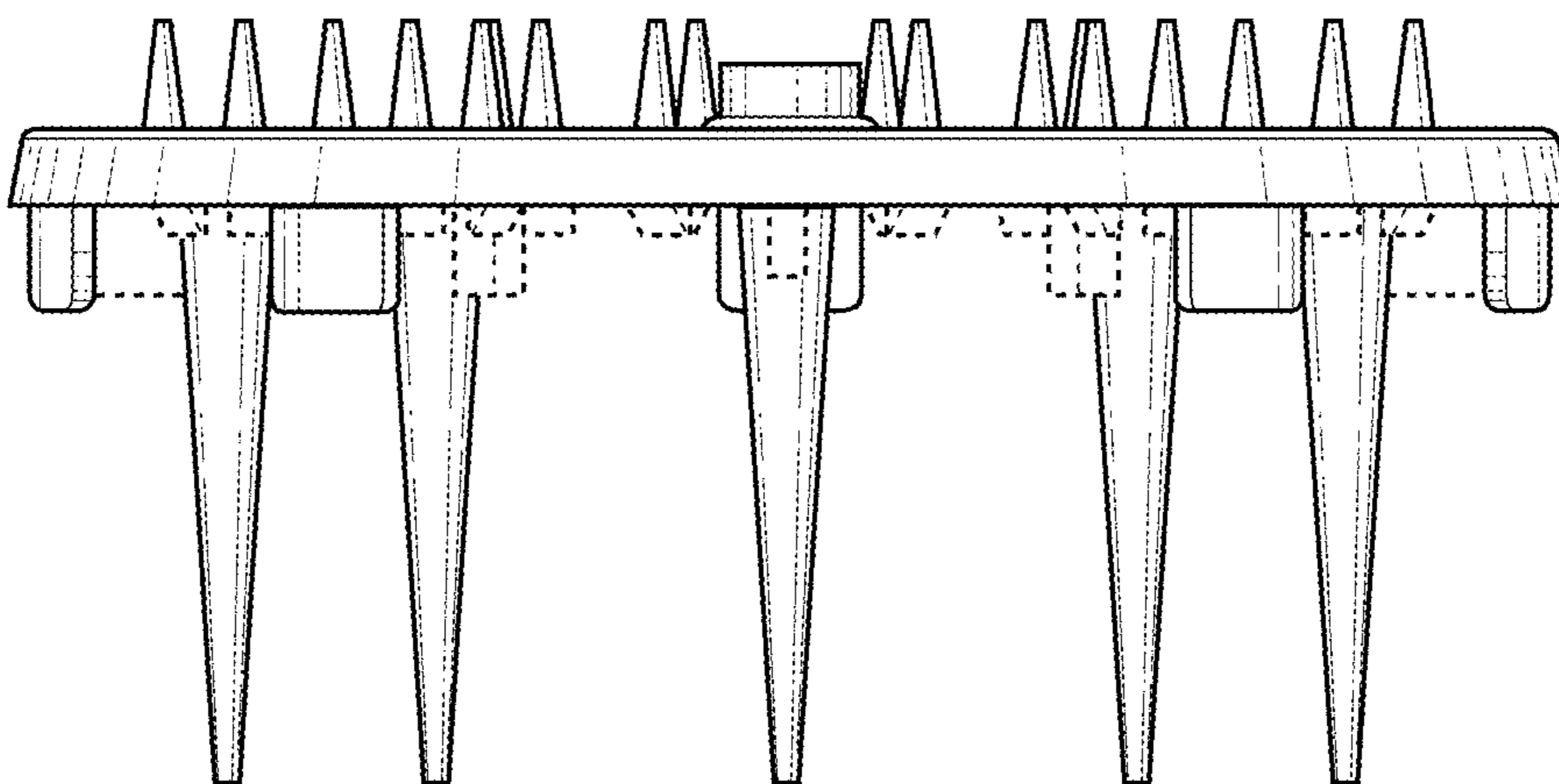


FIG. 3

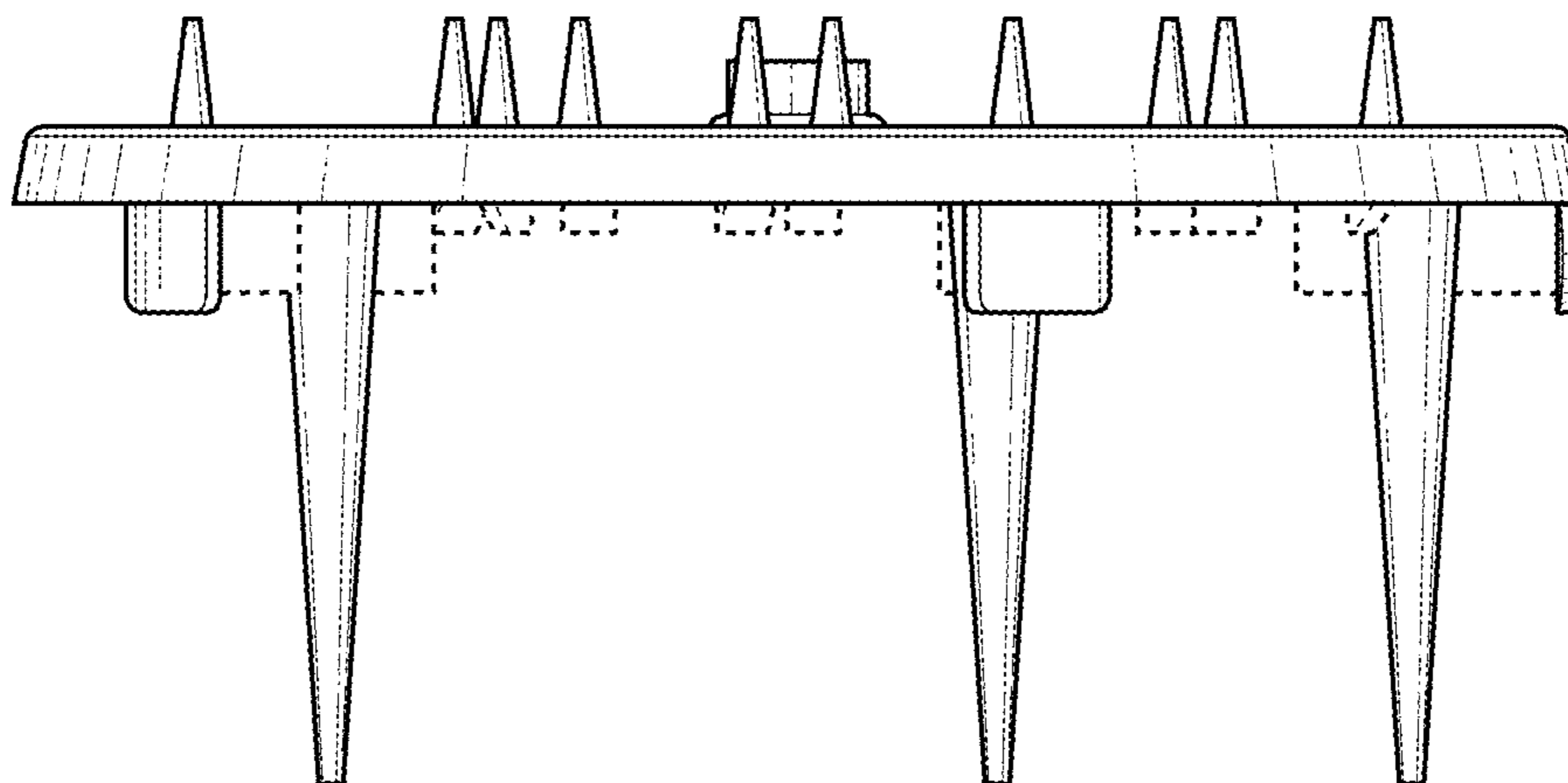


FIG. 4

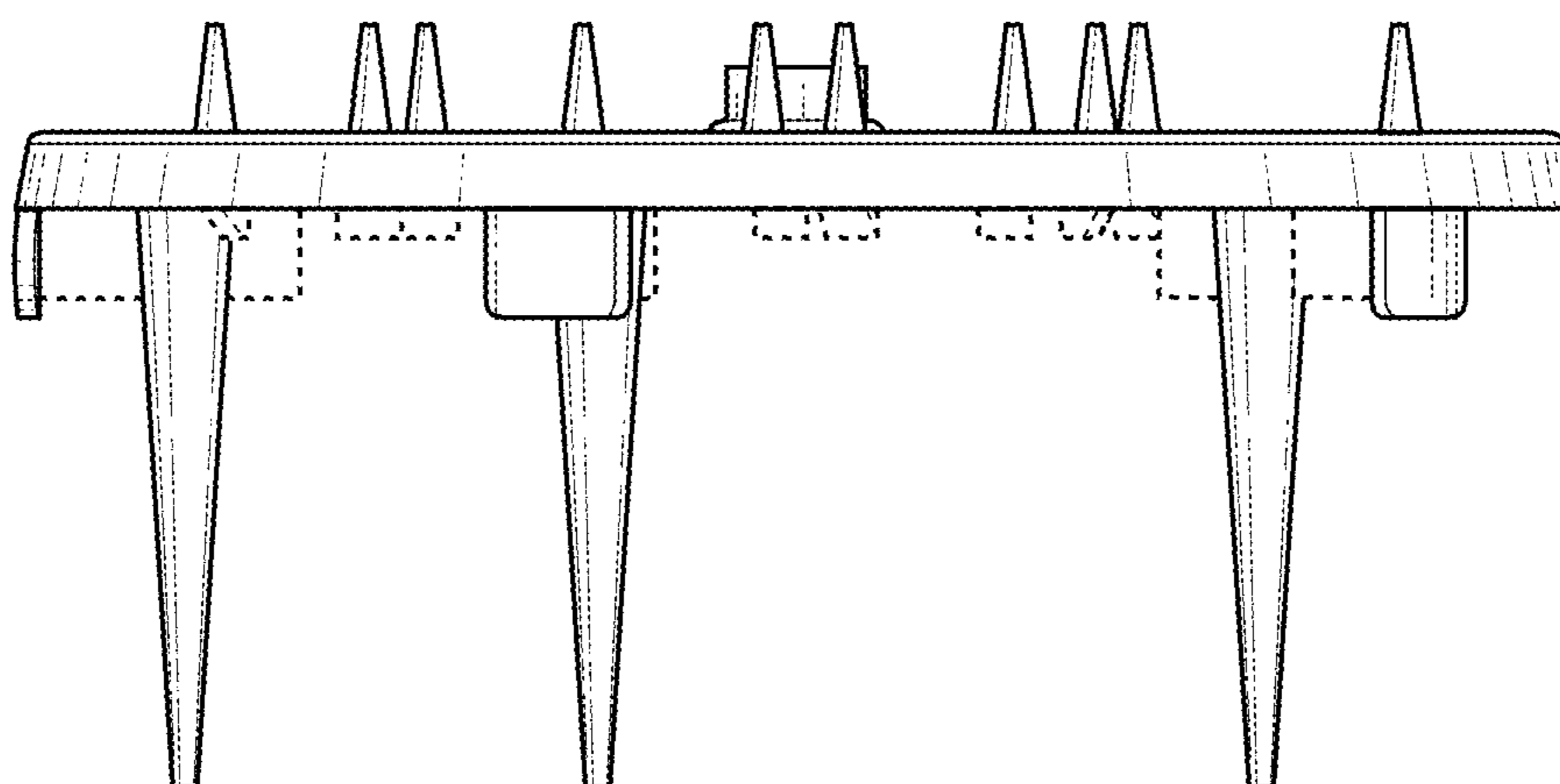


FIG. 5

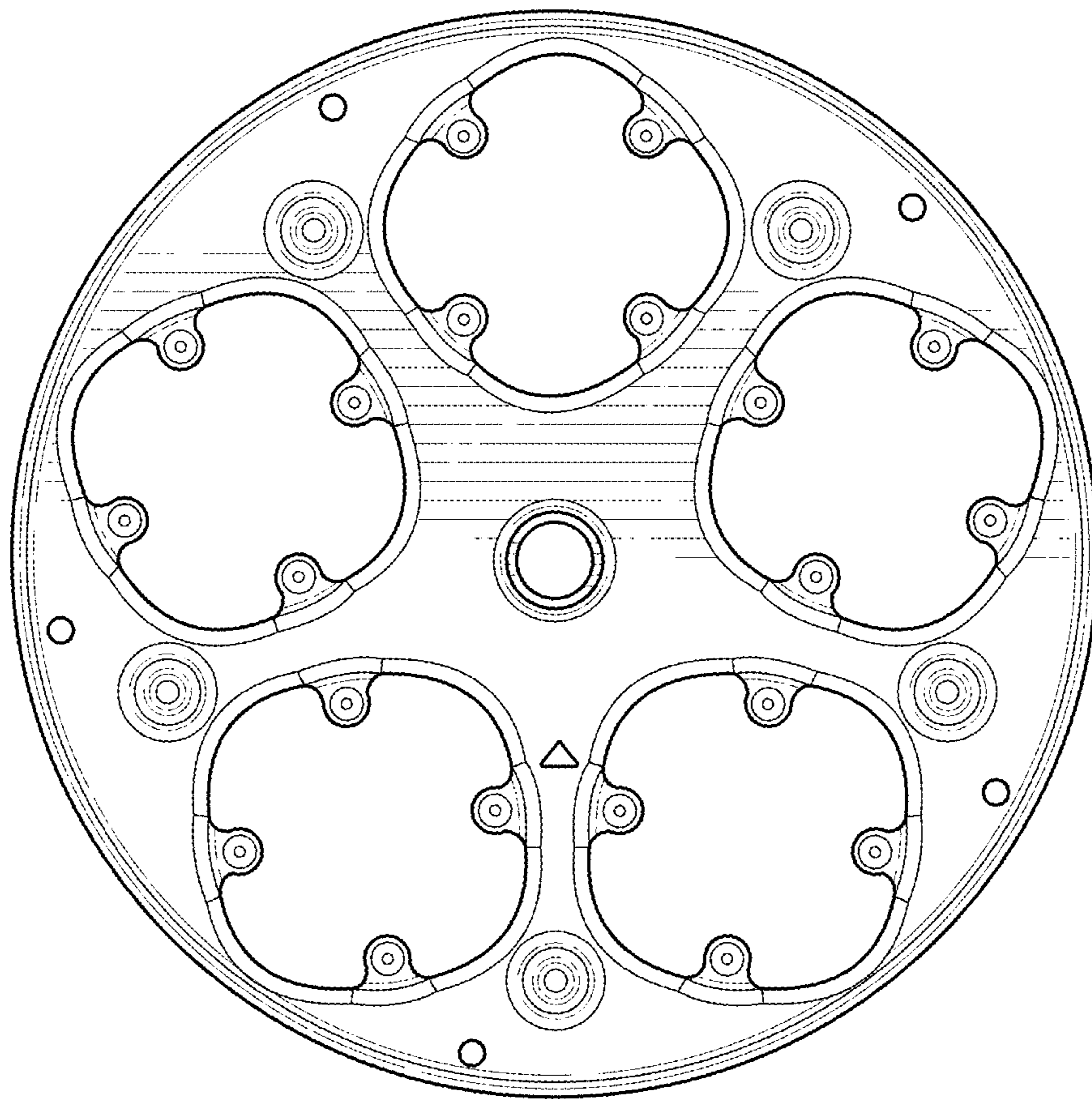


FIG. 6

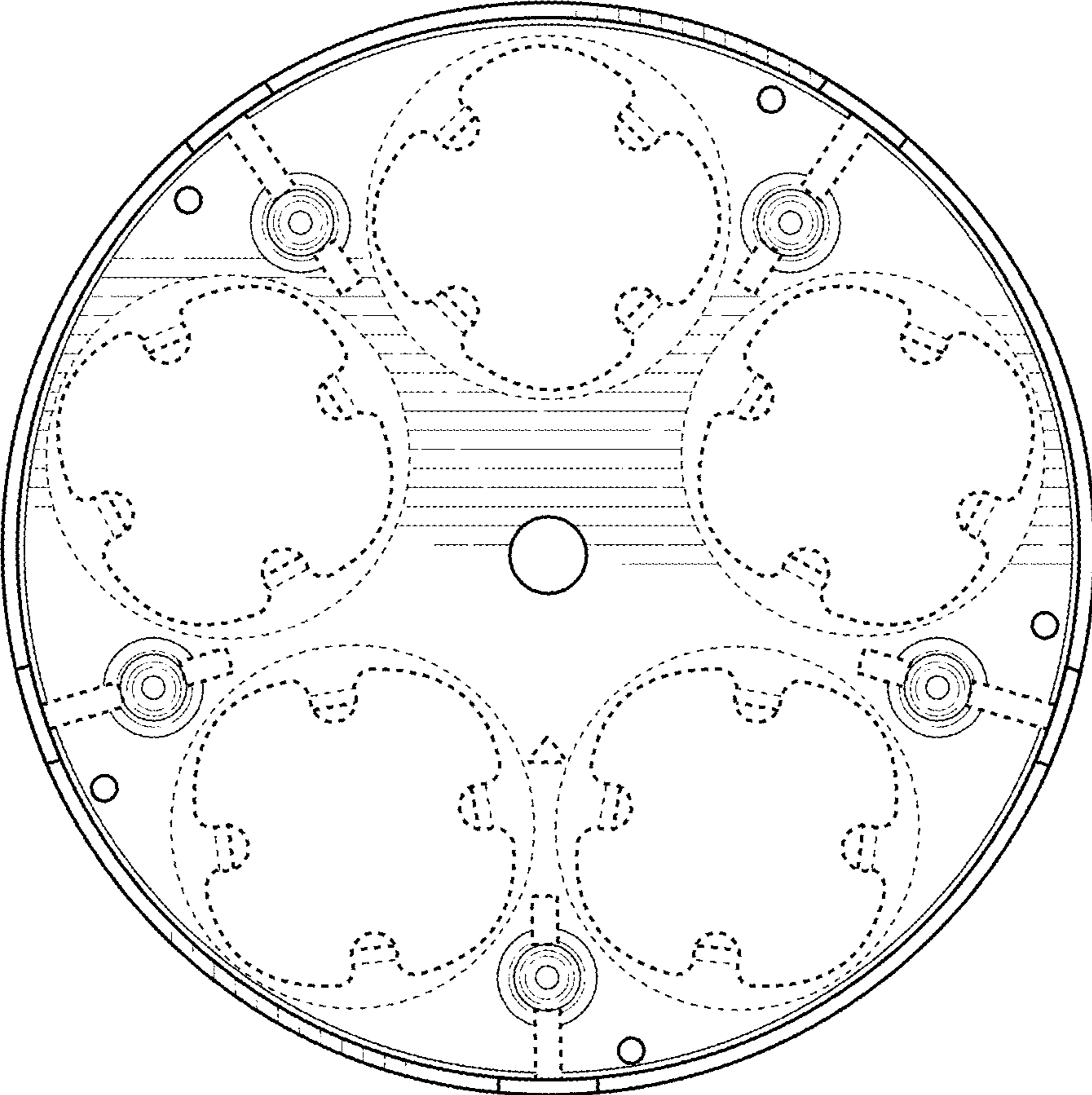


FIG. 7