



US00D796920S

(12) **United States Design Patent** (10) **Patent No.:** **US D796,920 S**
Staton et al. (45) **Date of Patent:** **** Sep. 12, 2017**

(54) **LUNCH BOX**

(71) Applicant: **Nalge Nunc International Corporation**, Rochester, NY (US)

(72) Inventors: **John M. Staton**, Medford, MA (US); **Eric Hansen**, Pittsford, NY (US); **Christopher Goodenbour**, South Burlington, VT (US); **Brian Glogowski**, Essex Junction, VT (US); **Carlton Dunn**, Shelburne, VT (US)

(73) Assignee: **Nalge Nunc International Corporation**, Rochester, NY (US)

(**) Term: **15 Years**

(21) Appl. No.: **29/553,503**

(22) Filed: **Feb. 2, 2016**

(51) **LOC (10) Cl.** **09-03**

(52) **U.S. Cl.**
USPC **D7/709**; D7/629

(58) **Field of Classification Search**
USPC D7/602, 605, 609, 629, 709, 710, D7/606-608, 601, 538-542, 612-615, D7/550.1, 551.1, 552.1, 552.2, 553.1, D7/553.2, 553.3, 553.4, 553.5, 553.7, D7/554.2, 555, 556, 603, 604, 701, 705, D7/706, 708, 323, 324, 326, 331, 332, D7/337, 339, 340, 341, 346, 347, 350.1, D7/350.3, 352, 354, 355, 356, 357, 360, D7/362, 363, 364, 365, 366, 367, 672, D7/630; D3/232-246, 201, 202, D3/280-284, 291, 294, 901, 302; D9/500, 501, 414, 424-432, 761
CPC B65D 81/3813; A45C 2013/026; A45C 13/26; A45C 13/02; A45C 11/20; A45C 13/10; A45C 13/005; B25H 3/02-3/028; B25H 3/00; B25H 3/003; B25H 3/006

See application file for complete search history.

(56) **References Cited**

U.S. PATENT DOCUMENTS

4,216,862 A *	8/1980	Daenen	A45C 11/20 206/459.5
D351,536 S *	10/1994	Maydwell	D7/709
D353,748 S *	12/1994	Ferris	D3/276
5,390,797 A *	2/1995	Smalley	A45C 11/20 206/542
5,427,265 A *	6/1995	Cautereels	A45C 11/20 16/260
D376,738 S *	12/1996	Wang	D7/709
D408,143 S *	4/1999	Miller	D3/282
5,897,209 A *	4/1999	Roegner	A45C 3/00 150/113
D420,257 S *	2/2000	Birutis	D7/607
6,047,752 A *	4/2000	Southwick	A45C 3/00 150/112
D485,437 S *	1/2004	Lee	D3/282
D548,968 S *	8/2007	Brown	D3/282

(Continued)

Primary Examiner — Ian Simmons

Assistant Examiner — Shannon Morgan

(74) *Attorney, Agent, or Firm* — Wood Herron & Evans LLP

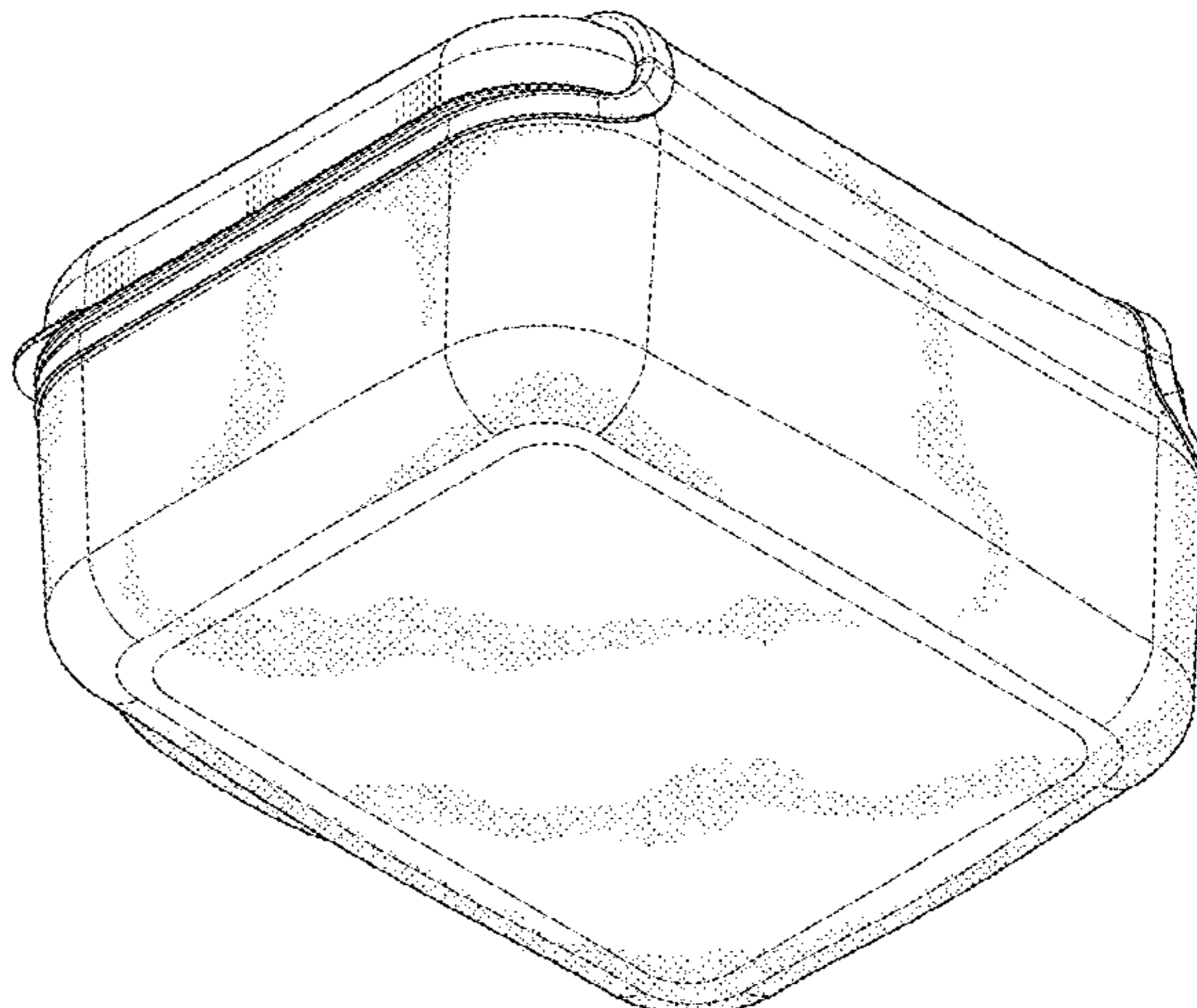
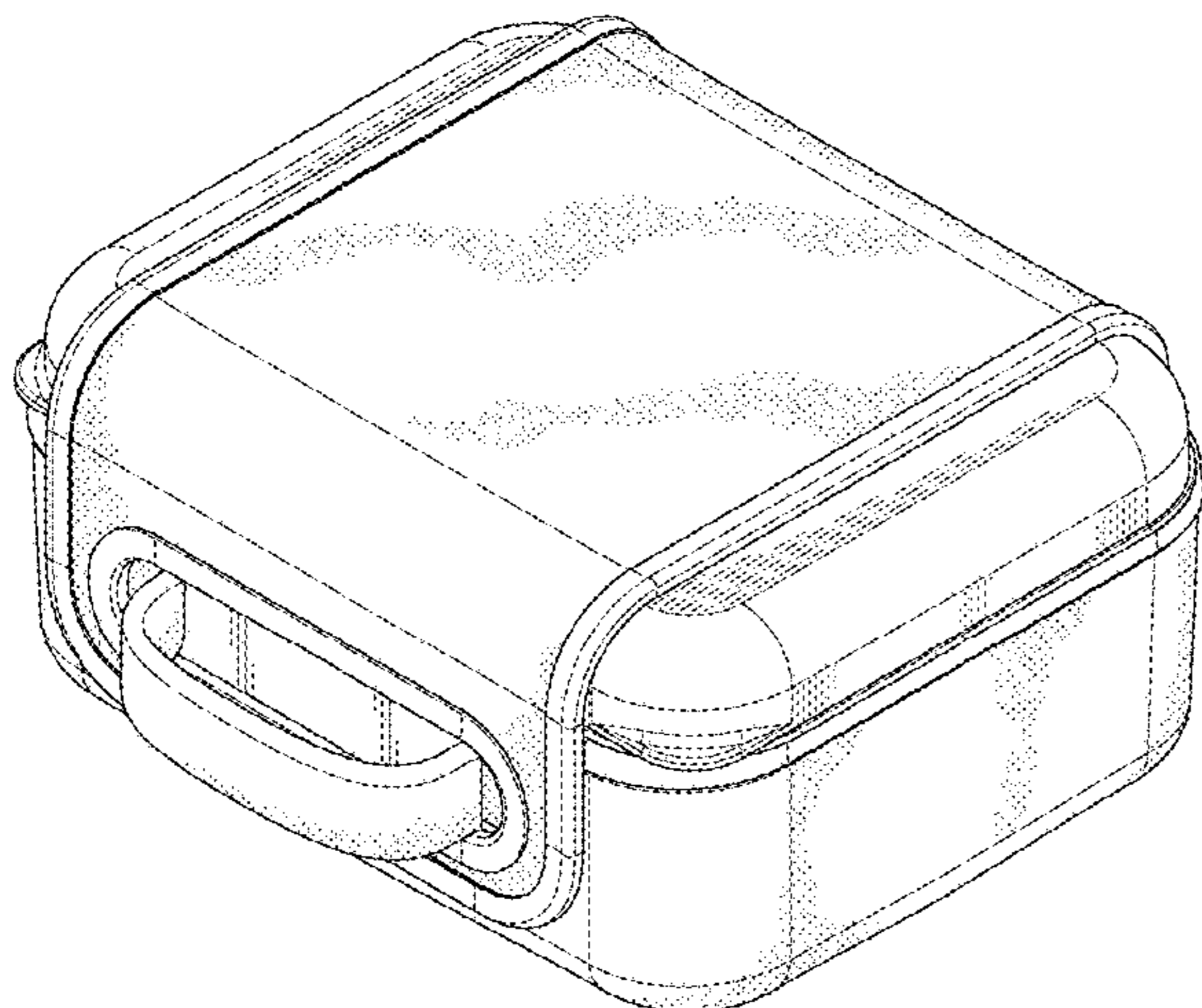
(57) **CLAIM**

The ornamental design for a lunch box, as shown and described.

DESCRIPTION

FIG. 1 is a front top isometric view of a lunch box showing our new design;
FIG. 2 is a rear bottom isometric view of FIG. 1;
FIG. 3 is a front view of FIG. 1;
FIG. 4 is a rear view of FIG. 1;
FIG. 5 is a right side view of FIG. 1;
FIG. 6 is a left side view of FIG. 1;
FIG. 7 is a top view of FIG. 1; and,
FIG. 8 is a bottom view of FIG. 1.

1 Claim, 8 Drawing Sheets



(56)

References Cited

U.S. PATENT DOCUMENTS

D566,484 S * 4/2008 George D3/294
 D620,255 S * 7/2010 Chang D3/282
 D624,316 S * 9/2010 Ferber D3/294
 D633,294 S * 3/2011 Jamison D3/282
 D686,491 S * 7/2013 Kuo D9/432
 D710,104 S * 8/2014 Tivoloy D3/282
 D735,476 S * 8/2015 Duvigneau D3/294
 D741,703 S * 10/2015 Janson D9/424
 D756,560 S * 5/2016 Ghiotti D27/186
 D761,023 S * 7/2016 Tramontana D3/203.1
 D764,237 S * 8/2016 Yen D7/629
 D764,910 S * 8/2016 Akana D9/432
 D772,572 S * 11/2016 Palmborg D3/201
 D773,817 S * 12/2016 Hower D3/282
 D775,818 S * 1/2017 Ingraham D3/218
 D780,534 S * 3/2017 Oliver D7/629

2007/0039969 A1* 2/2007 Pittis-Moffitt A47J 47/14
 220/592.27
 2008/0099290 A1* 5/2008 Stern A45C 5/03
 190/109
 2010/0059560 A1* 3/2010 Lanum A61B 50/31
 224/257
 2011/0073130 A1* 3/2011 Reynolds A45C 11/008
 132/296
 2013/0277262 A1* 10/2013 Nemard A61J 1/03
 206/438
 2014/0144041 A1* 5/2014 Jean-Barnard F26B 5/16
 34/355
 2015/0122820 A1* 5/2015 Whitley A45C 11/16
 220/528
 2015/0190919 A1* 7/2015 Chang A44B 11/28
 206/349
 2017/0086550 A1* 3/2017 Caro A45C 11/00

* cited by examiner

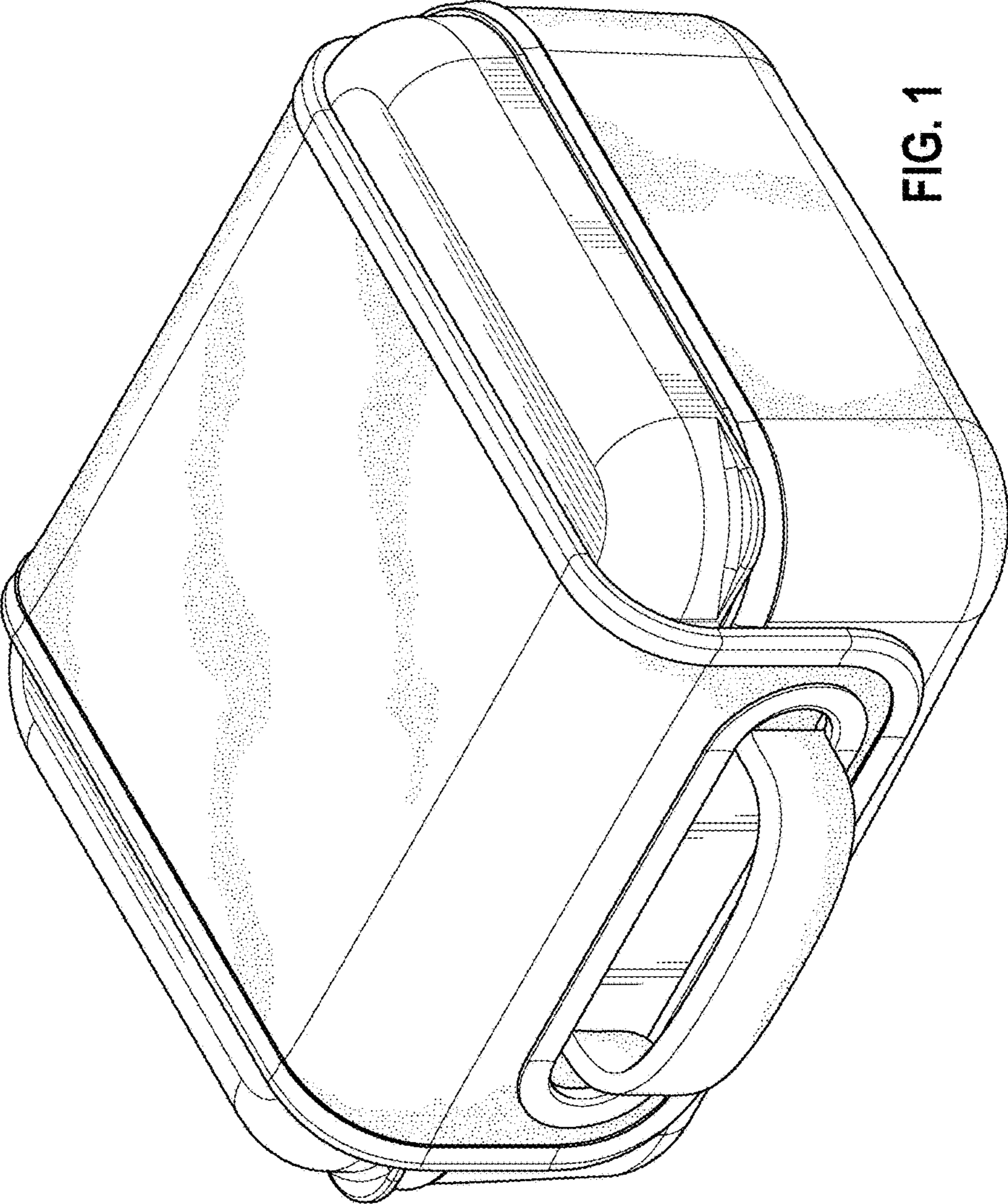


FIG. 1

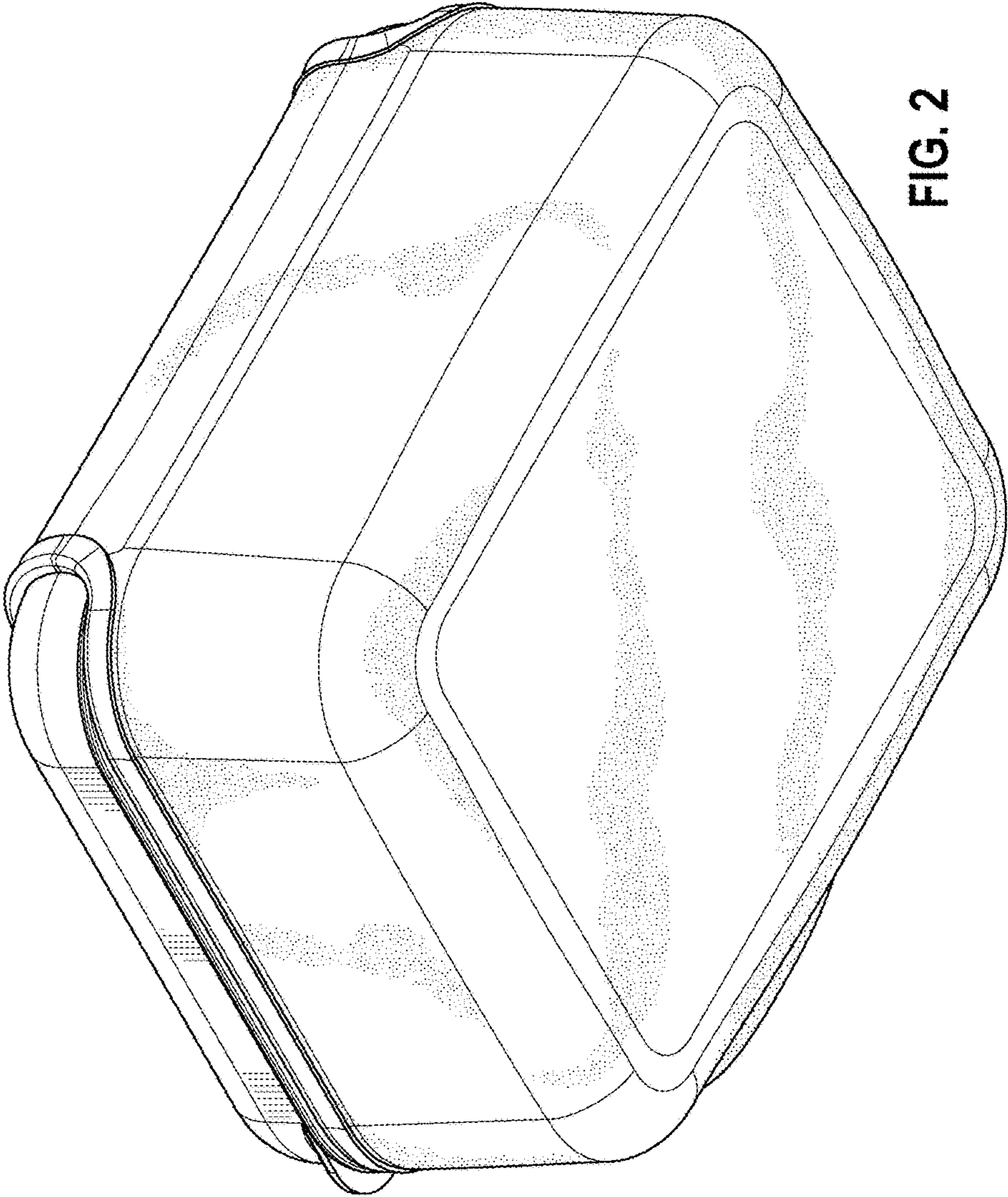


FIG. 2

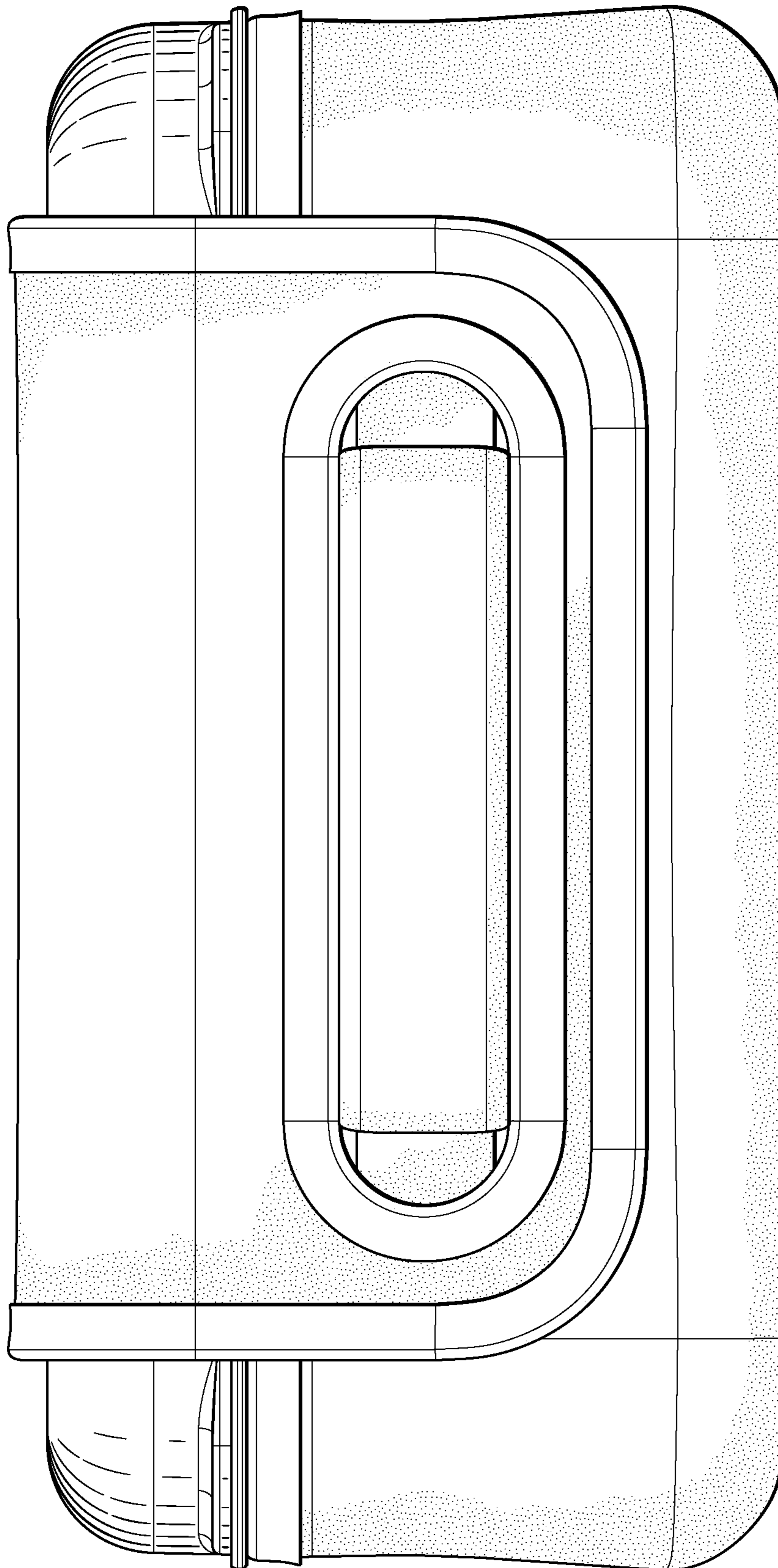


FIG. 3

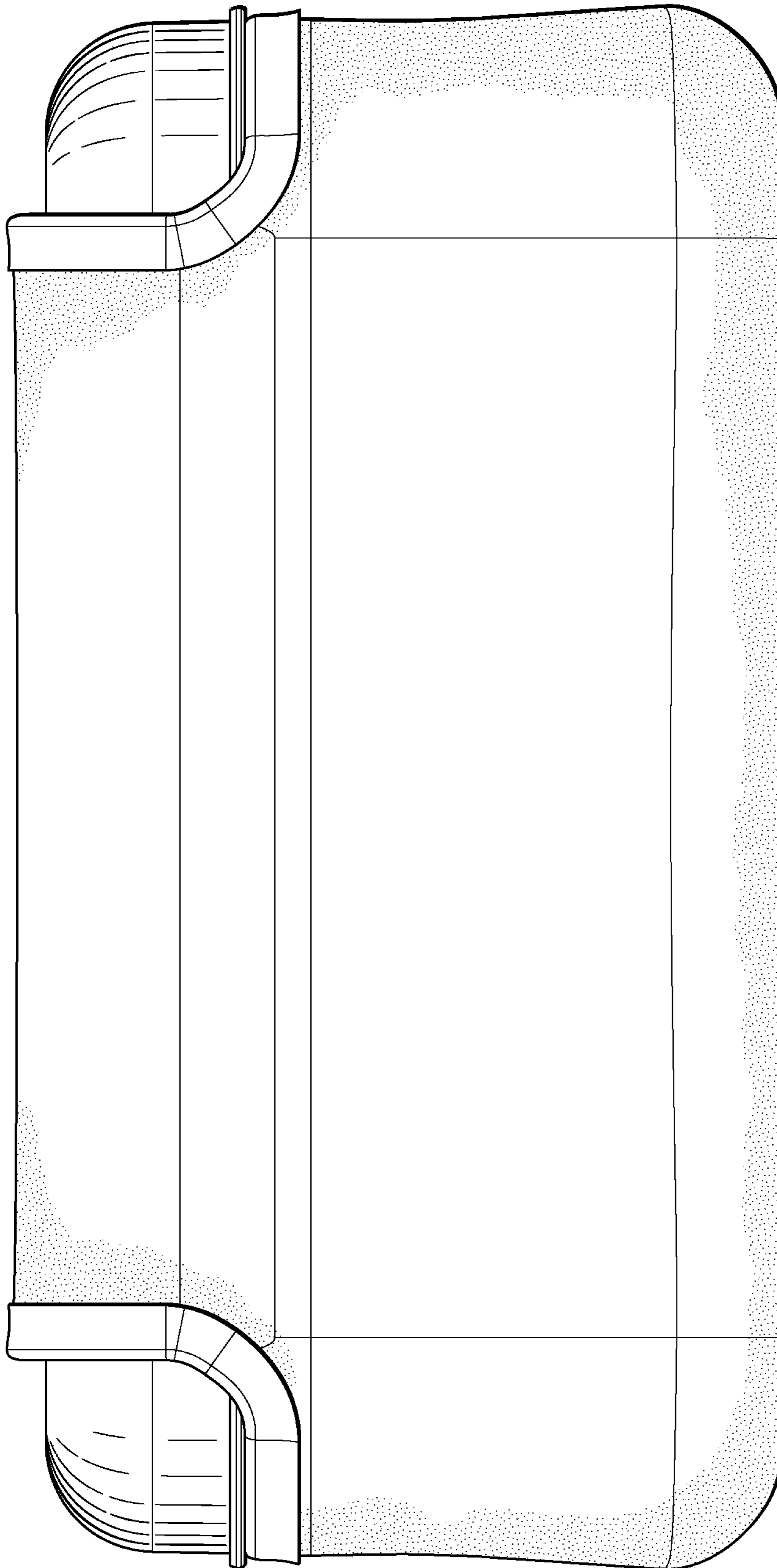


FIG. 4

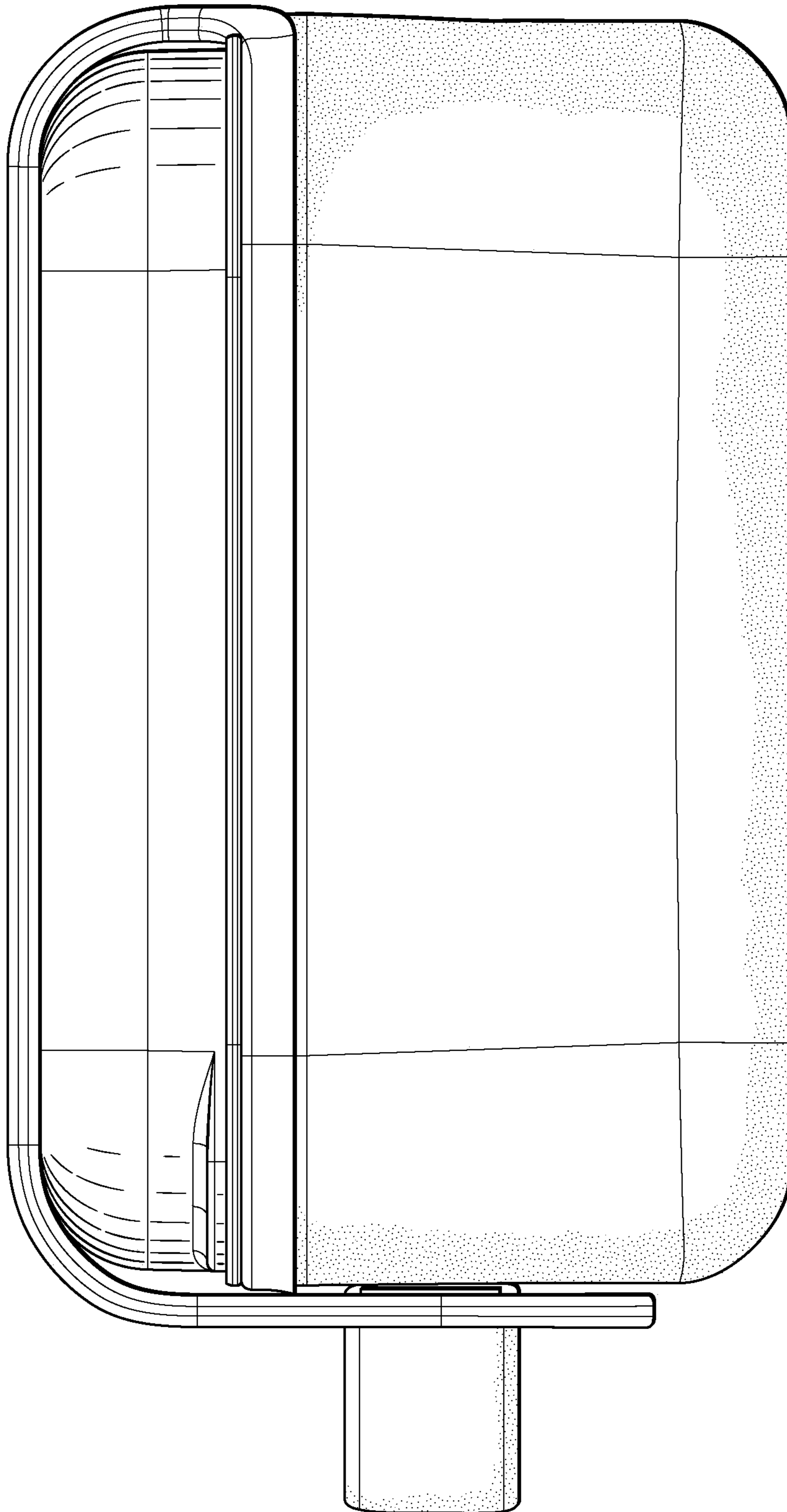


FIG. 5

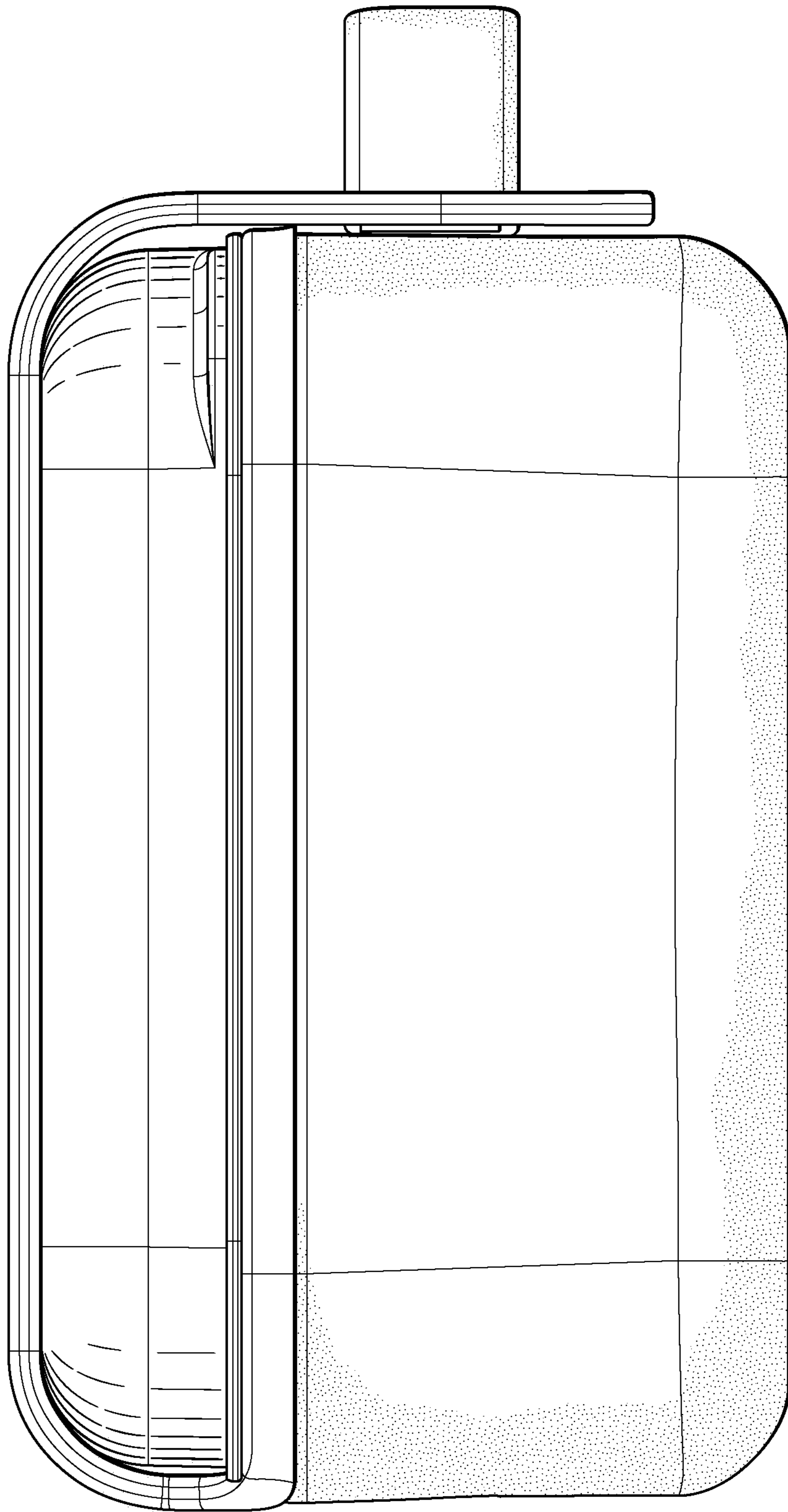


FIG. 6

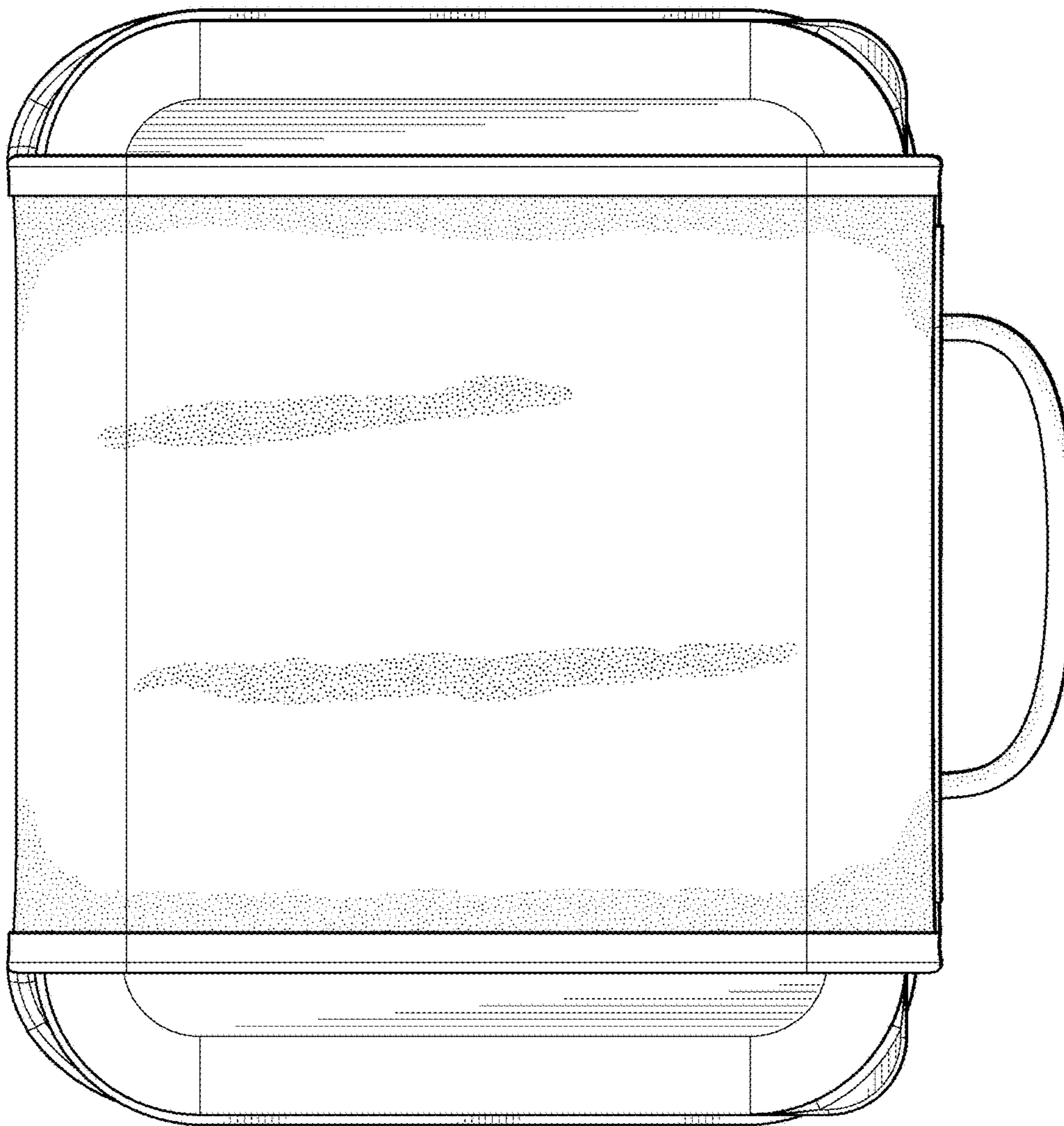


FIG. 7

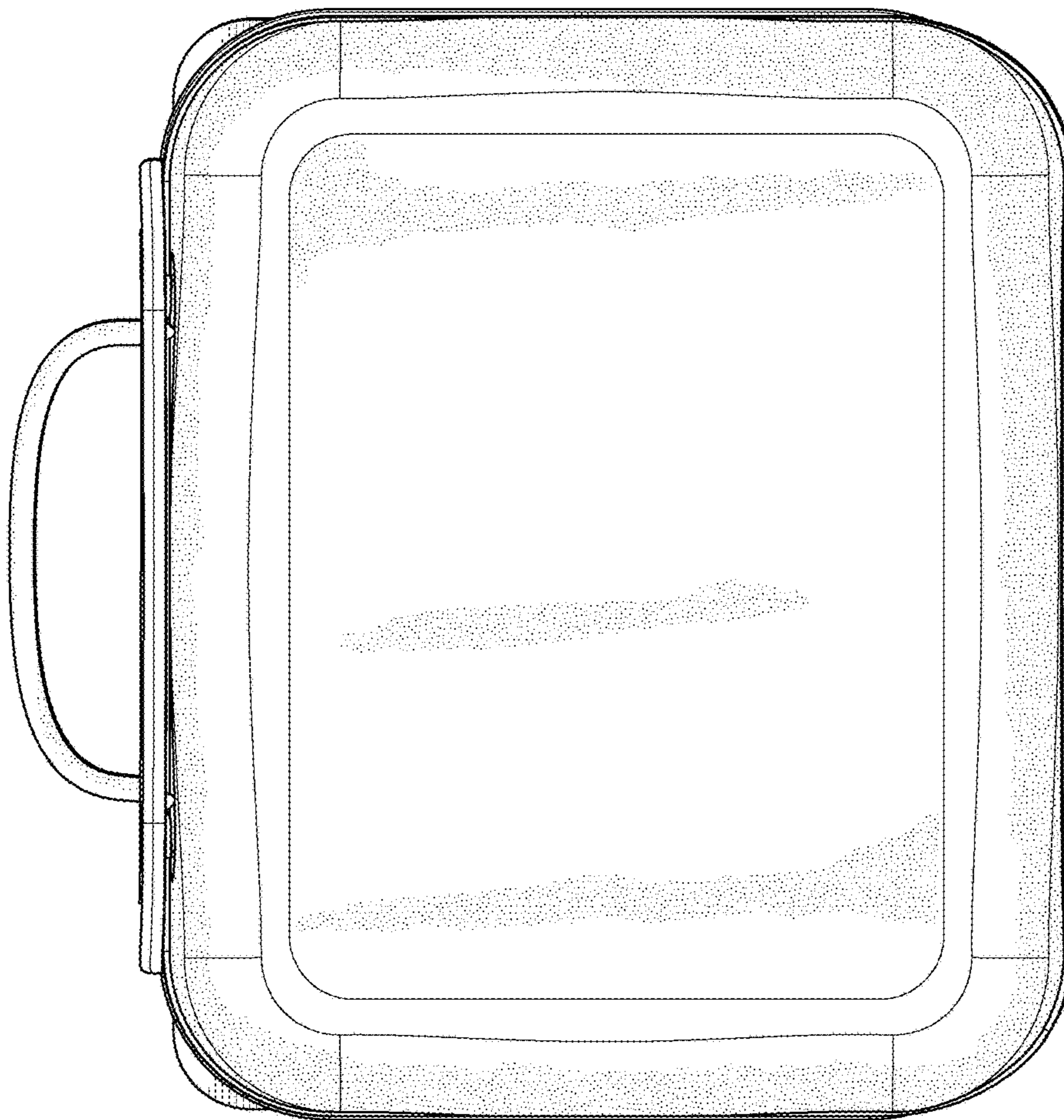


FIG. 8