



US00D796919S

(12) **United States Design Patent** (10) **Patent No.:** **US D796,919 S**  
**Janowitz et al.** (45) **Date of Patent:** **\*\* Sep. 12, 2017**

(54) **FOOD CONTAINER**

(71) Applicants: **Eric Janowitz**, Chulouta, FL (US);  
**Dawn Janowitz**, Chulouta, FL (US)

(72) Inventors: **Eric Janowitz**, Chulouta, FL (US);  
**Dawn Janowitz**, Chulouta, FL (US)

(\*\*) Term: **15 Years**

(21) Appl. No.: **29/554,178**

(22) Filed: **Feb. 9, 2016**

(51) **LOC (10) Cl.** ..... **07-06**

(52) **U.S. Cl.**  
USPC ..... **D7/703**; D3/295

(58) **Field of Classification Search**  
USPC ..... D3/294, 295; D7/213, 387, 392, 392.1,  
D7/396.1, 396.3, 541, 546, 549, 554.2,  
D7/554.3, 602, 605, 701, 703, 705;  
D9/414, 420, 426, 428, 430, 434-436,  
D9/438, 443, 449, 454, 455, 499, 703,  
D9/717, 721  
CPC ..... B65D 5/66; B65D 5/6605; B65D 77/00;  
B65D 1/36

See application file for complete search history.

(56) **References Cited**

**U.S. PATENT DOCUMENTS**

D115,876 S *	7/1939	Deynzer	220/4.24
D117,437 S *	10/1939	Holt	D19/81
D138,066 S *	6/1944	Ludel	D3/294
D195,493 S *	6/1963	Homola	D7/213
D216,350 S *	12/1969	Selwyn	D3/294
D287,336 S *	12/1986	Roehrig	D3/295
D321,983 S *	12/1991	Tackett	D3/295
D368,659 S *	4/1996	Smith	D9/414
5,743,405 A	4/1998	Reid	
D418,020 S *	12/1999	Tardif	D7/602
D437,220 S *	2/2001	Knutson	D9/425
D449,165 S *	10/2001	van der Hulst	D3/294
D462,613 S *	9/2002	Bried	D3/294
D485,066 S *	1/2004	Wolf	D3/291

D509,132 S *	9/2005	Au	D3/294
D548,970 S *	8/2007	Huang	D3/294
D559,615 S *	1/2008	Laib	D7/387
D592,494 S *	5/2009	Wichowski	D9/414
D641,164 S *	7/2011	Cornu	D3/294
D708,850 S *	7/2014	Morine	D3/294

(Continued)

**OTHER PUBLICATIONS**

Etsy. Bento Lunch Box Lacquered 'Magewappa' double curved beans shape Japanese. Nov. 14, 2016 [earliest online date], [site visited Apr. 7, 2017]. Available from Internet, <URL:https://www.etsy.com/listing/234827247/bento-lunch-box-lacquered-magewappa>.\*

(Continued)

*Primary Examiner* — Robert M Spear  
*Assistant Examiner* — Darcey E Heflin  
(74) *Attorney, Agent, or Firm* — Allen, Byer, Doppelt, & Gilchrist, P.A.

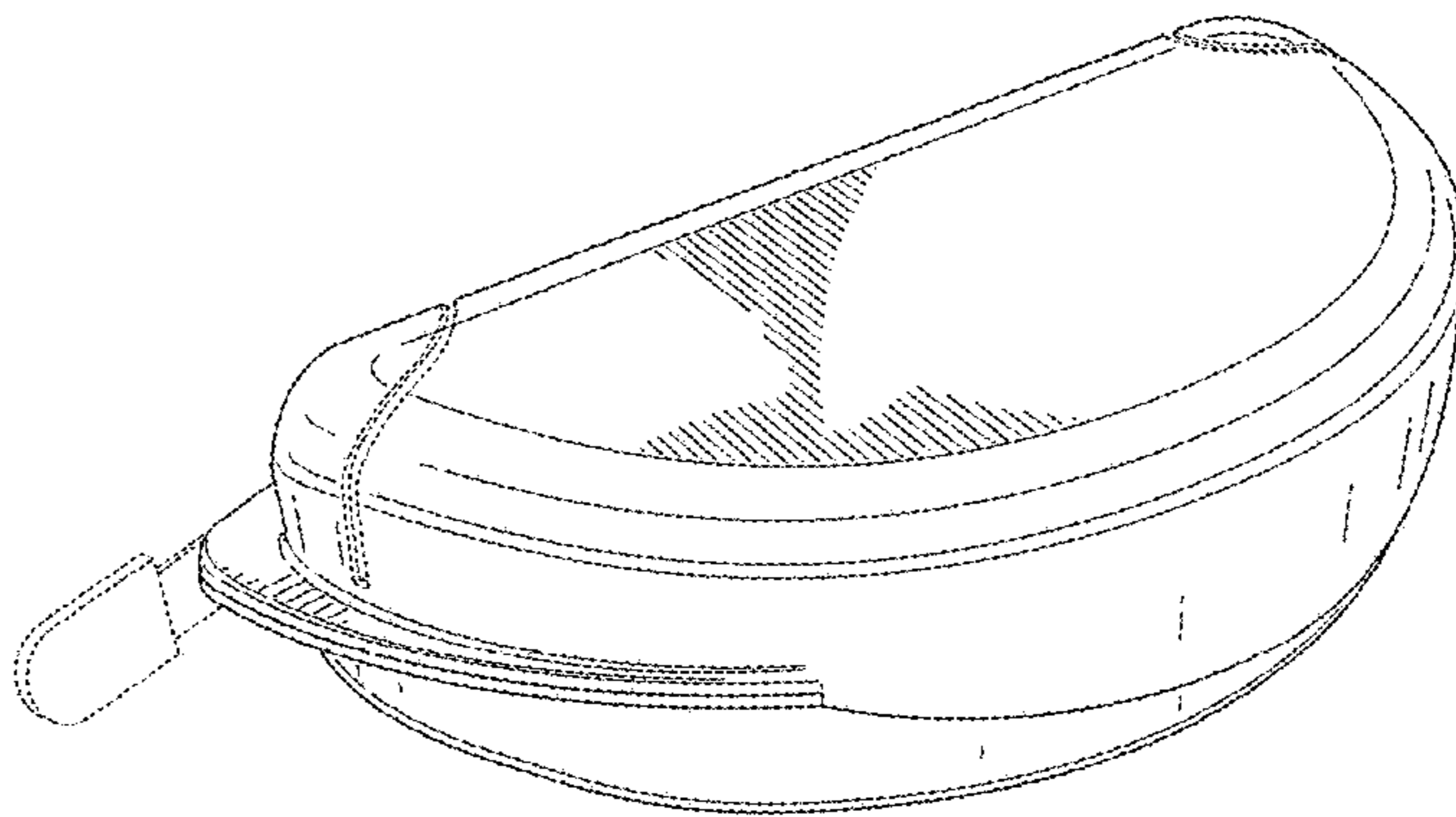
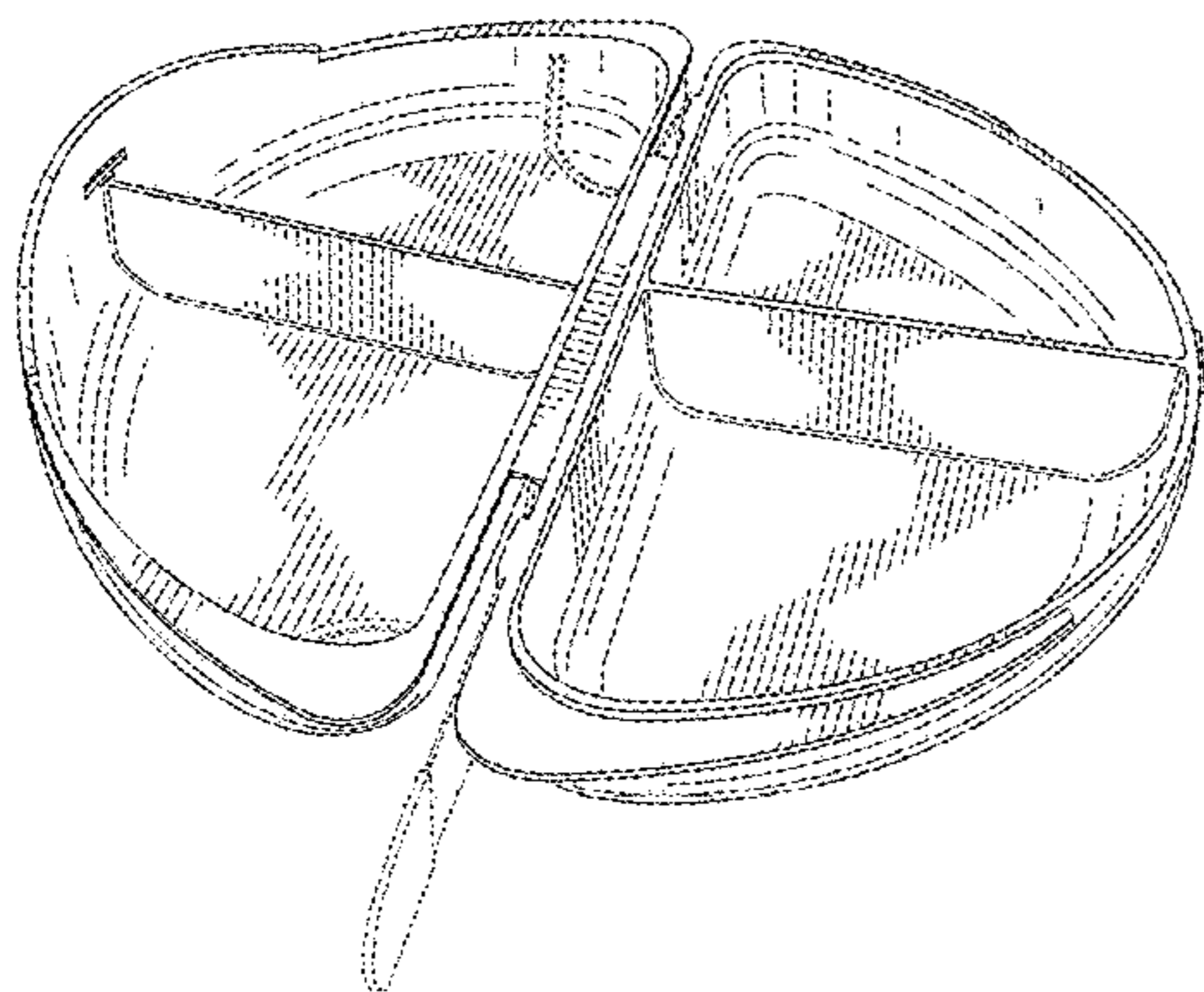
(57) **CLAIM**

The ornamental design for a food container, as shown and described.

**DESCRIPTION**

FIG. 1 is a perspective view thereof in an open position; FIG. 2 is a front side view thereof in the open position; FIG. 3 is a back side view thereof in the open position; FIG. 4 is a left side view thereof in the open position; FIG. 5 is a right side view thereof in the open position; FIG. 6 is a top view thereof in the open position; FIG. 7 is a bottom view thereof in the open position; FIG. 8 is a perspective view thereof in the open position with unclaimed insert trays; and, FIG. 9. is a perspective view thereof in a closed position. In the drawings, the broken lines showing portions of a food container depict environment and form no part of the claim.

**1 Claim, 9 Drawing Sheets**



(56)

**References Cited**

U.S. PATENT DOCUMENTS

D738,110 S \* 9/2015 Jiang ..... D3/294  
D753,443 S \* 4/2016 Mock ..... D7/555

OTHER PUBLICATIONS

Kids Web Japan. Japanese Box Lunches. Mar. 31, 2007 [earliest online date], [site visited Apr. 7, 2017]. Available from Internet, <URL:<http://web-japan.org/kidswweb/virtual/bento/bento07.html>>.\*

Organized Chaos Online. 28 Easy Peasy Bento Box Lunch Idea. Jul. 31, 2013 [earliest online date], [site visited Apr. 7, 2017]. Available from Internet, <URL:<http://www.organizedchaosonline.com/2013/07/31/bento-box-school-lunch-ideas/>>.\*

Anchor Packaging. Anchor Adds to RPET Line With Hinged 3-Compartment. Oct. 27, 2014 [earliest online date], [site visited Apr. 7, 2017]. Available from Internet, <URL:<http://www.anchorpackaging.com/anchor-adds-to-rpet-line-with-hinged-3-compartment/>>.\*

\* cited by examiner

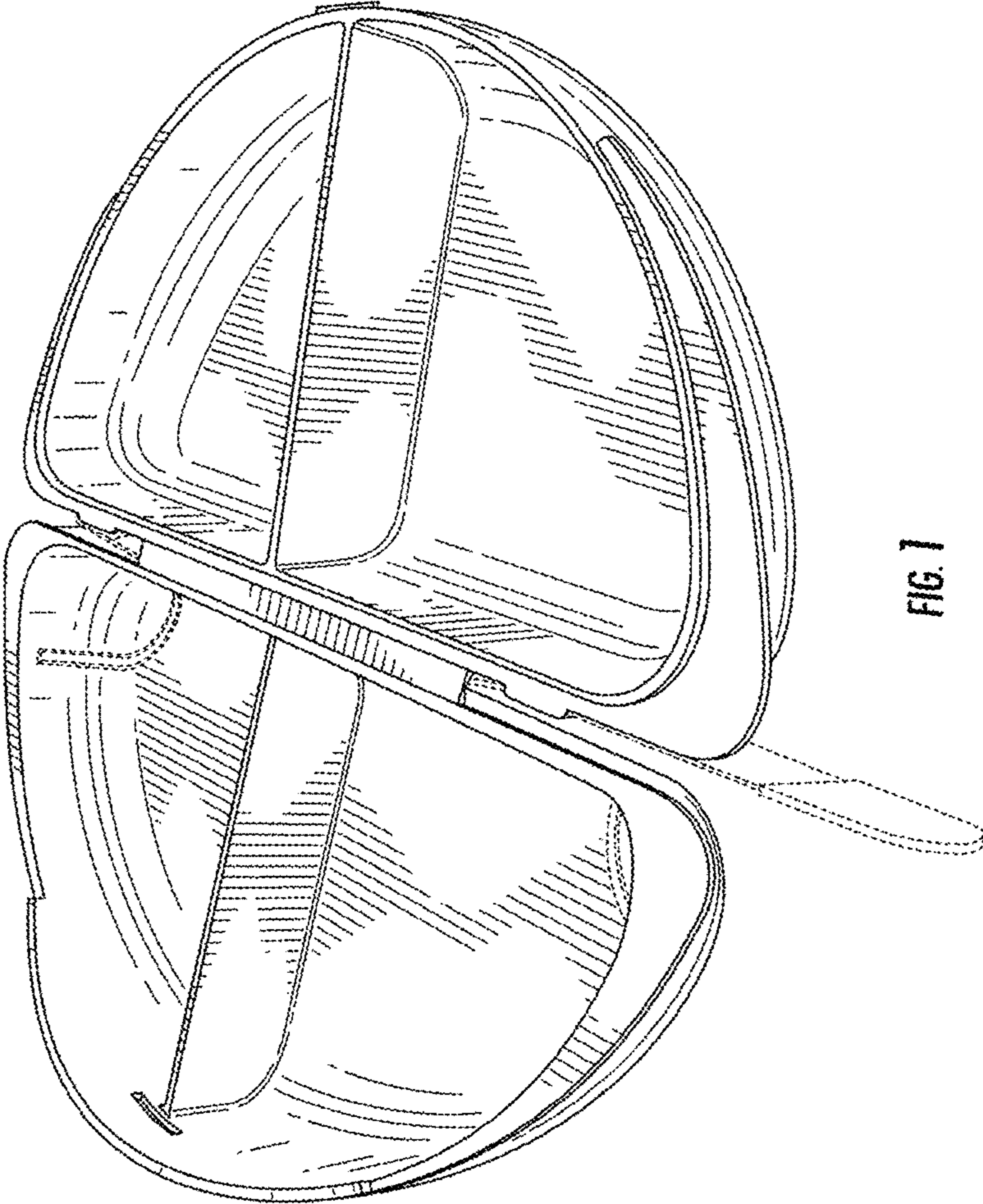


FIG. 7

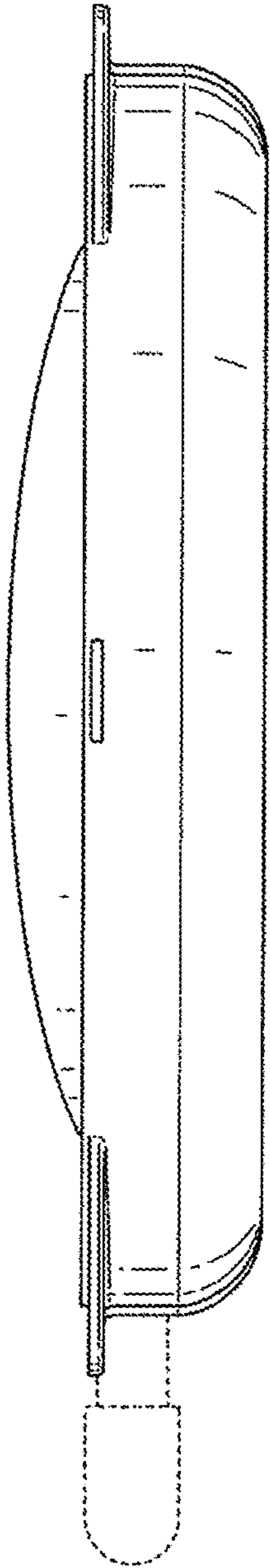


FIG. 2



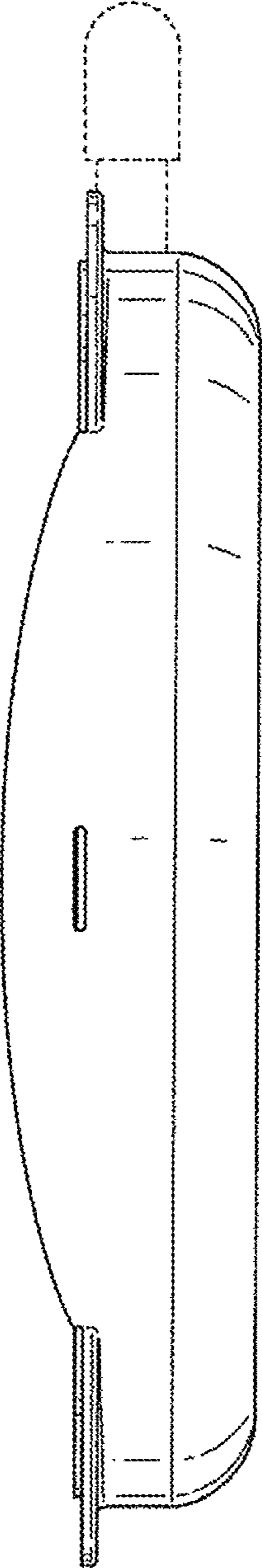


FIG. 3

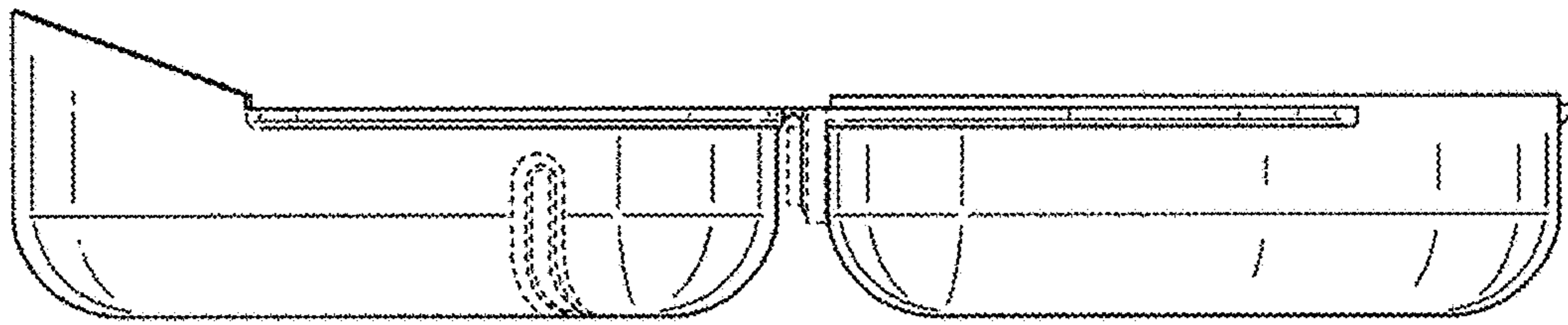


FIG. 4

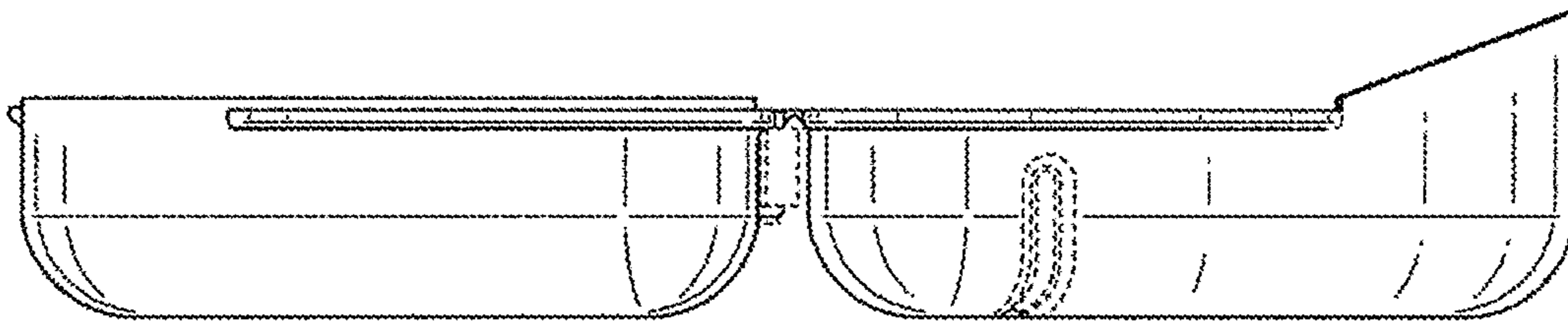


FIG. 5

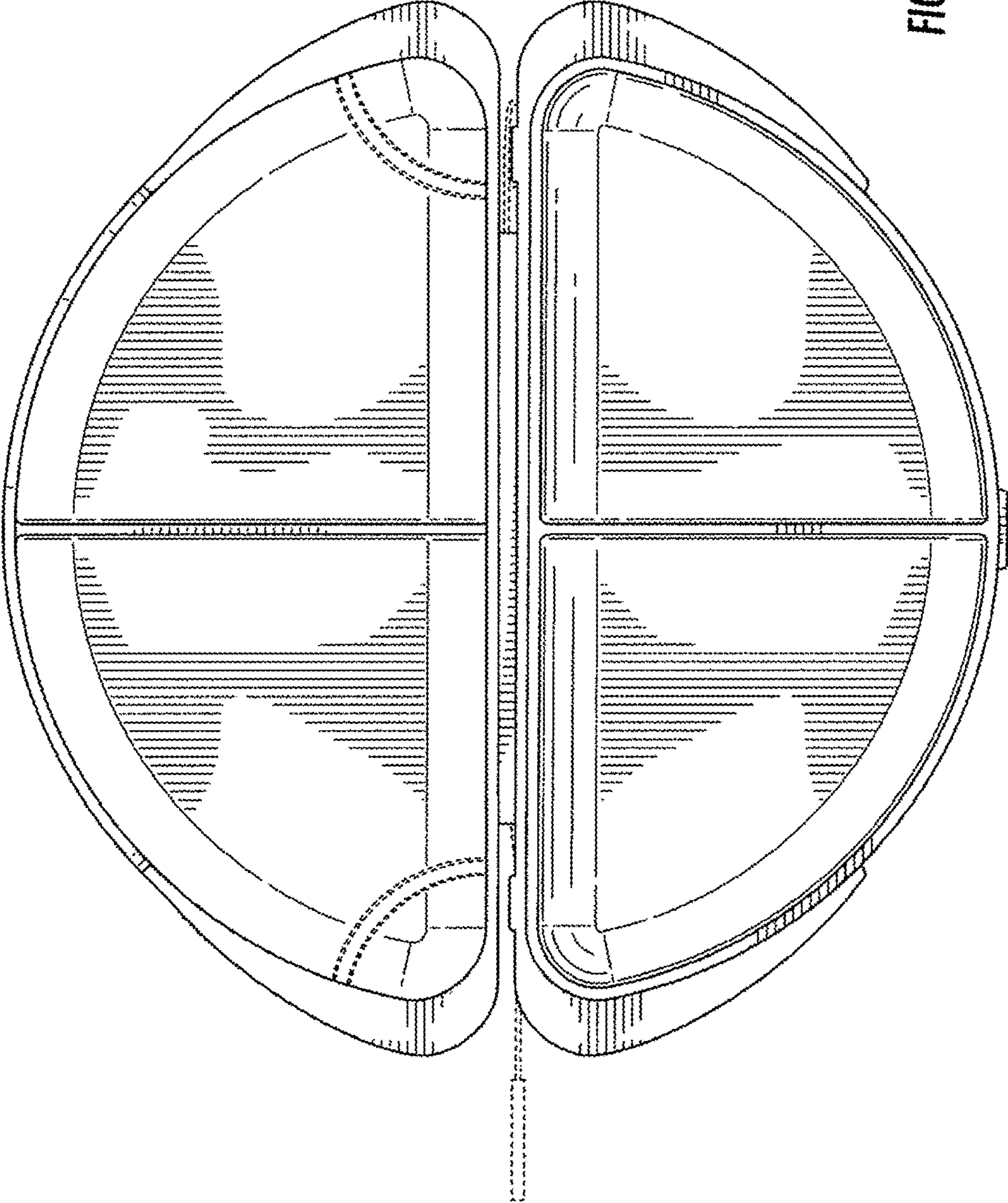


FIG. 6



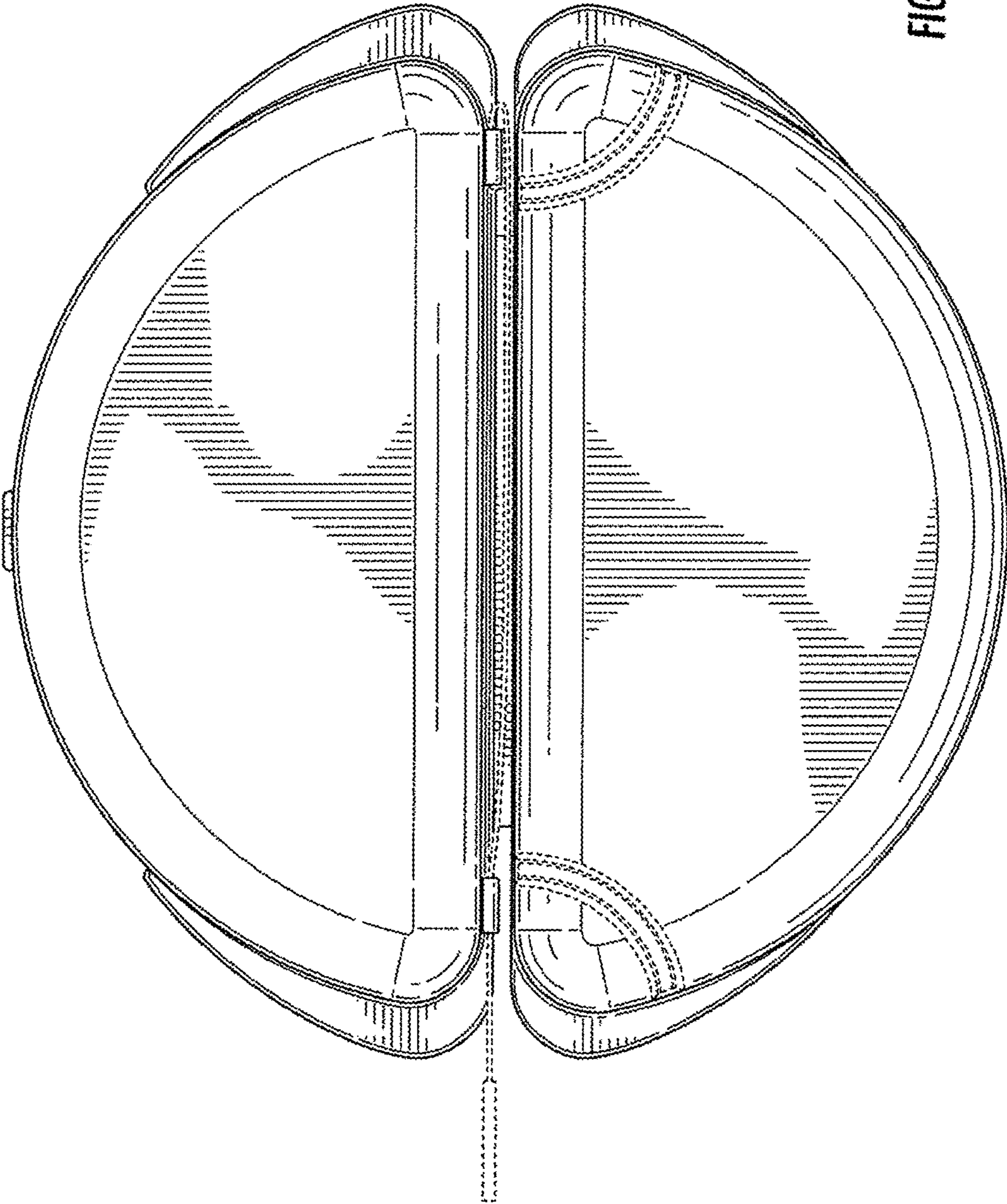
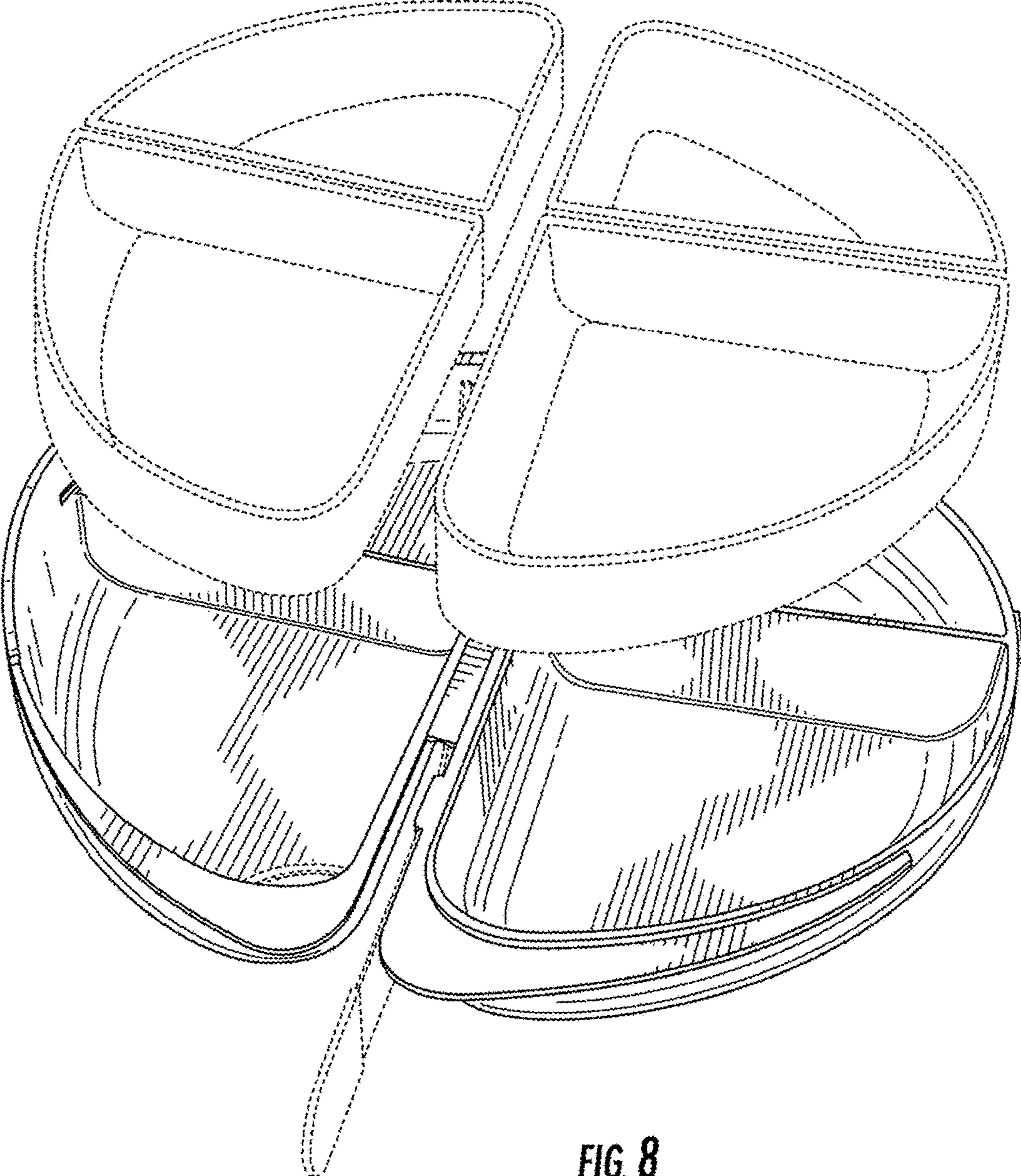


FIG. 7



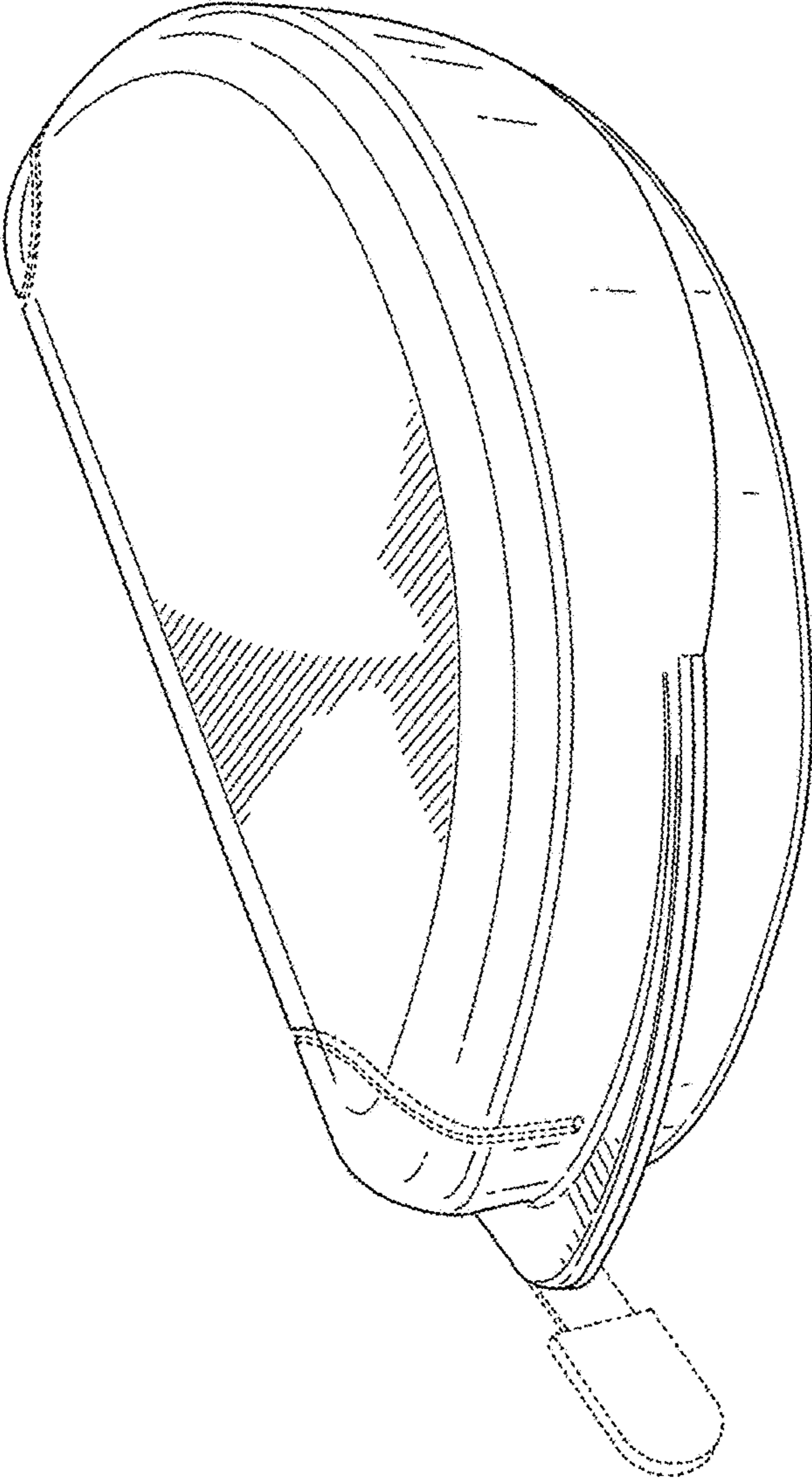


FIG. 9