



US00D796918S

(12) **United States Design Patent** (10) **Patent No.:** **US D796,918 S**  
**Didion** (45) **Date of Patent:** **\*\* \*Sep. 12, 2017**

- (54) **WIRE WINE CAGE**
- (71) Applicant: **Karen Didion**, Lake St. Louis, MO (US)
- (72) Inventor: **Karen Didion**, Lake St. Louis, MO (US)
- (\* ) Notice: This patent is subject to a terminal disclaimer.
- (\*\* ) Term: **14 Years**
- (21) Appl. No.: **29/463,194**
- (22) Filed: **Sep. 3, 2013**

D526,168 S	8/2006	Goodman et al.	
D538,609 S	3/2007	Goodman et al.	
D541,604 S	5/2007	Goodman et al.	
D541,605 S	5/2007	Chen	
D547,138 S	7/2007	Goodman et al.	
D553,453 S	10/2007	Toth	
D560,448 S	1/2008	Goodman et al.	
D584,580 S	* 1/2009	Mandel .....	D7/702
D592,468 S	5/2009	Goodman et al.	
D616,271 S	5/2010	Goodman et al.	
D616,272 S	5/2010	Goodman et al.	
D617,611 S	6/2010	DuBow	
D617,612 S	6/2010	DuBow	
D626,325 S	11/2010	Dubow	
7,850,017 B2	12/2010	McCain	
7,882,967 B2	2/2011	Hynes	

(Continued)

**Related U.S. Application Data**

- (62) Division of application No. 29/395,344, filed on Jan. 5, 2012, now Pat. No. Des. 693,656.
- (51) **LOC (10) Cl.** ..... **06-04**
- (52) **U.S. Cl.**  
USPC ..... **D7/702; D11/157**
- (58) **Field of Classification Search**  
USPC ..... D7/701-708, 628, 606, 604;  
D19/34.1-34.5; 206/457; 211/74, 71.01,  
211/50, 42-43; D11/117, 125, 129, 131,  
D11/134, 157, 160; 248/441.1; 473/578,  
473/580, 582-586  
See application file for complete search history.

**References Cited**

**U.S. PATENT DOCUMENTS**

D232,205 S	*	7/1974	Kaner .....	D7/702
D254,293 S		2/1980	Fortuna et al.	
D359,665 S		6/1995	Levine	
D410,566 S		6/1999	Bartolotta	
D451,768 S		12/2001	Walker	
D461,372 S		8/2002	Geatti	

**OTHER PUBLICATIONS**

- Epic Products, Inc., Barrel-Cork Cage, Oct. 7, 2011, VA 1-801-088.  
(Continued)
- Primary Examiner* — Terry Wallace
- (74) *Attorney, Agent, or Firm* — Paul M Denk

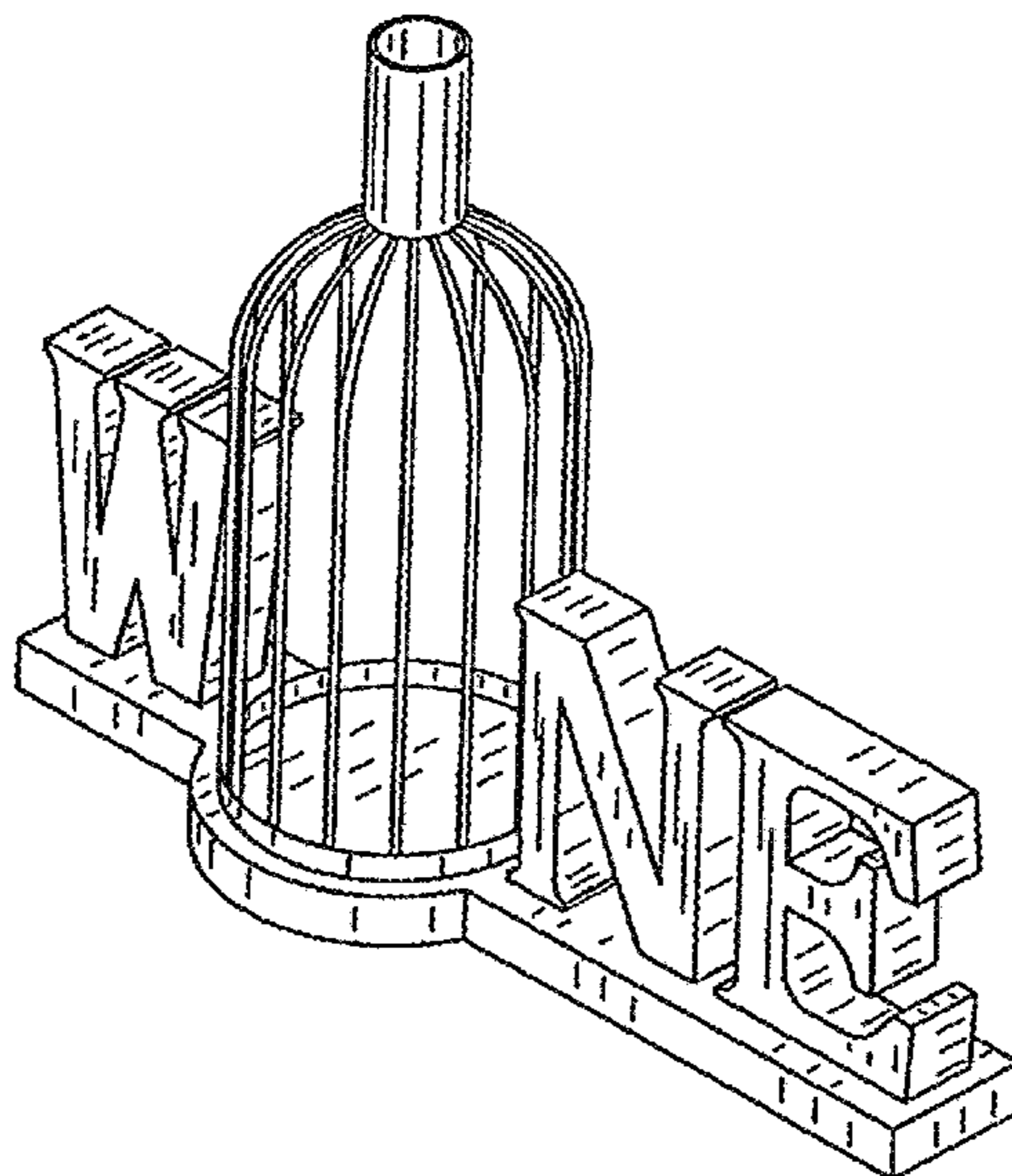
**CLAIM**

(57) The ornamental design for the wire wine cage, as shown and described.

**DESCRIPTION**

FIG. 1 is a perspective view of a wire wine cage showing my new design.  
 FIG. 2 is a front view thereof.  
 FIG. 3 is a rear view thereof.  
 FIG. 4 is a top plan view thereof.  
 FIG. 5 is a bottom plan view thereof.  
 FIG. 6 is a left side view thereof; and,  
 FIG. 7 is a right side view thereof.

**1 Claim, 3 Drawing Sheets**



(56)

**References Cited**

U.S. PATENT DOCUMENTS

7,922,015 B2 4/2011 Bassetti  
D672,684 S \* 12/2012 Dubow ..... D11/157

OTHER PUBLICATIONS

Epic Products, Inc., Pineapple-Cork Cage, Oct. 13, 2011, VA  
1-800-925.  
Epic Products Inc., Champagne Bottle-Cork Cage, Oct. 7, 2011, VA  
1-801-082.  
Epic Products, Inc., Wine Bottle-Cork Cage, Oct. 7, 2011, VA  
1-801-083.

\* cited by examiner

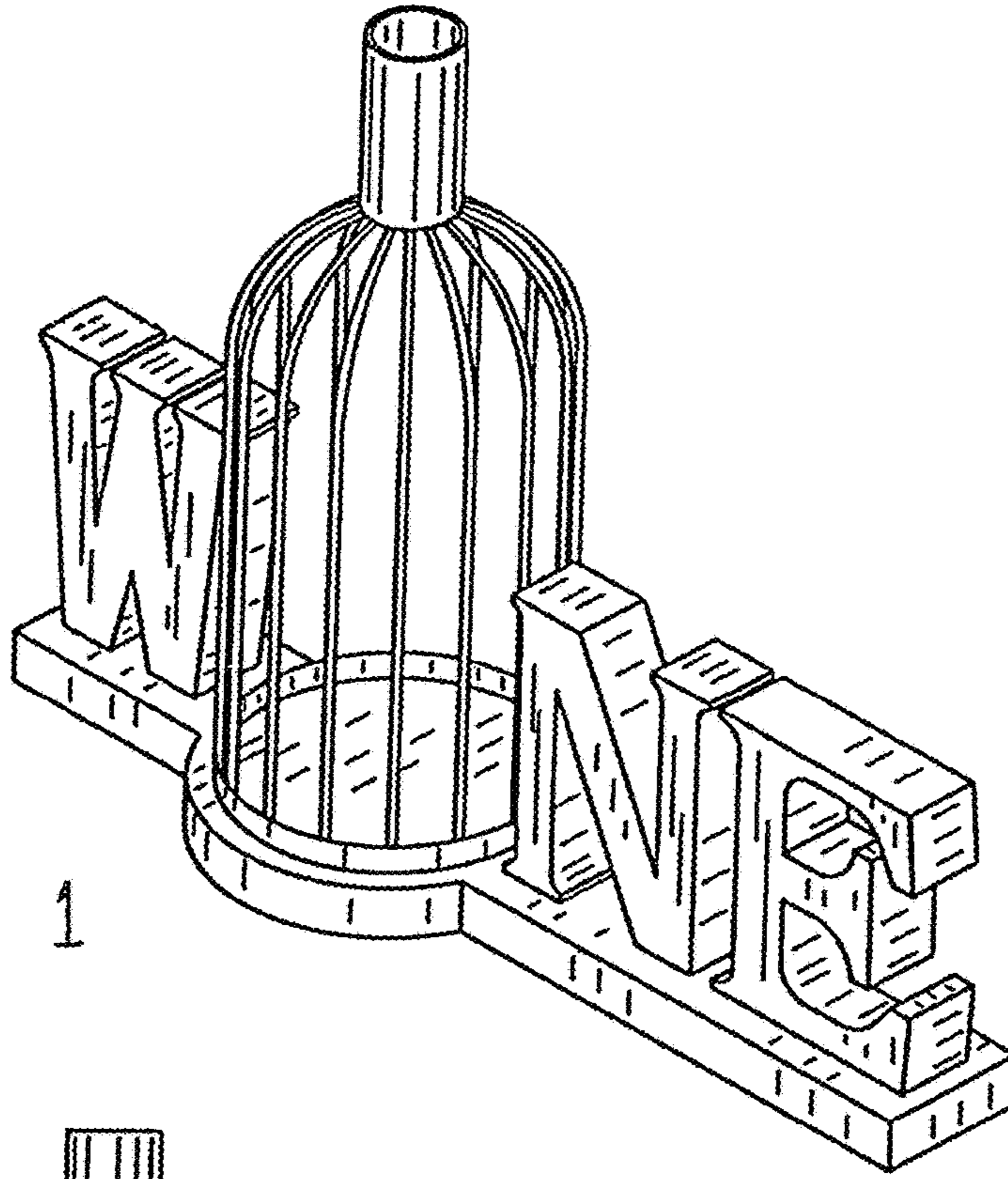


FIG. 1

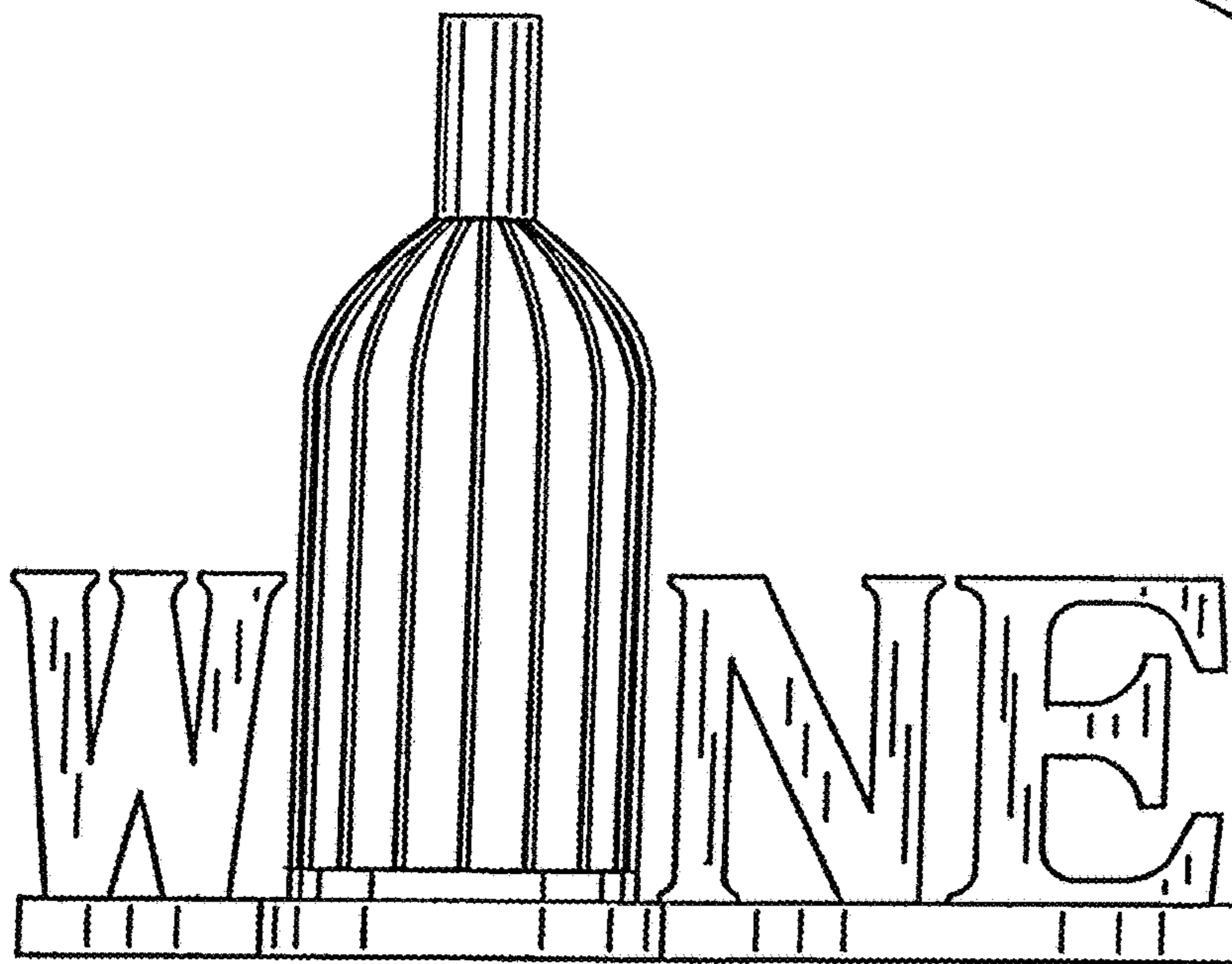


FIG. 2

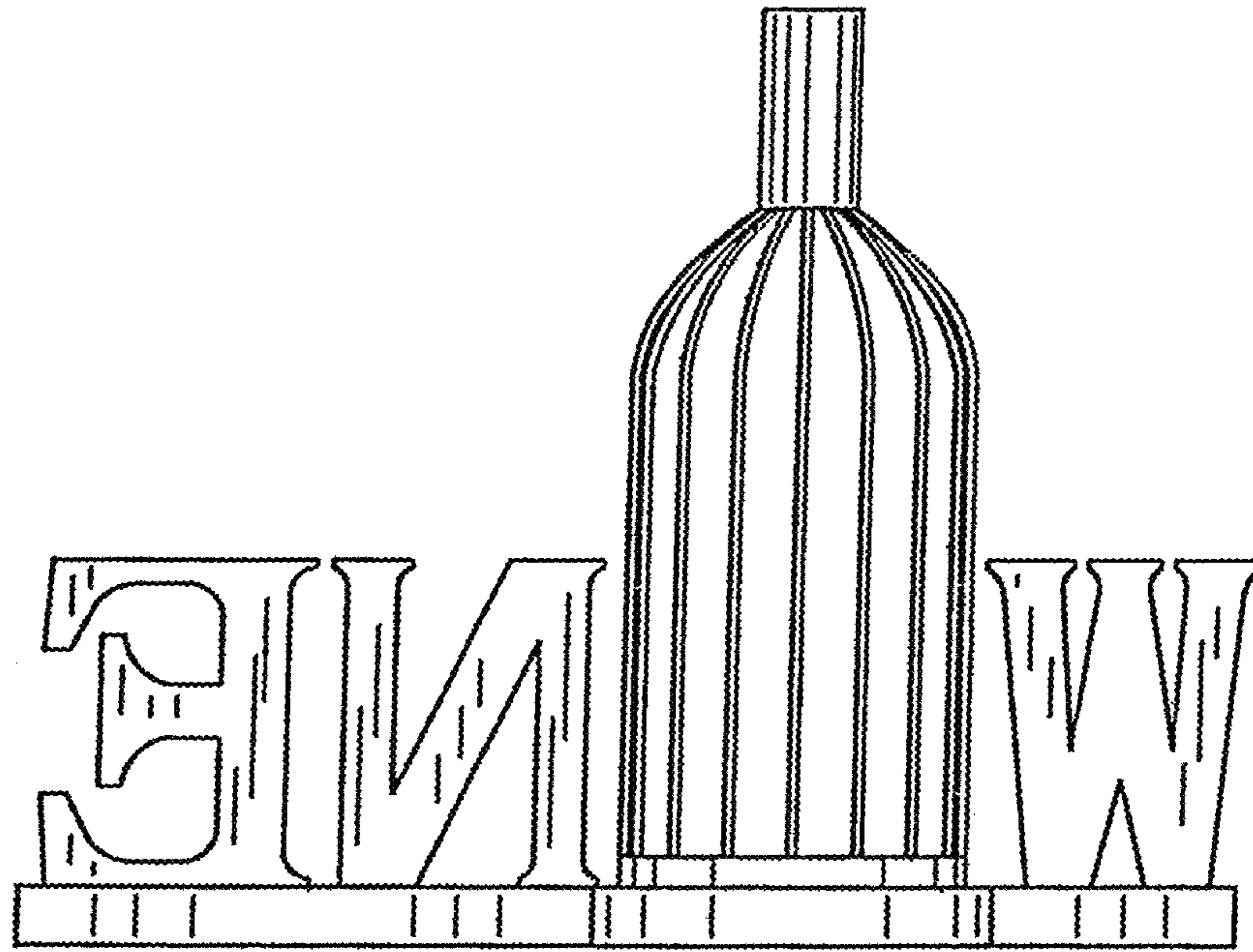


FIG. 3

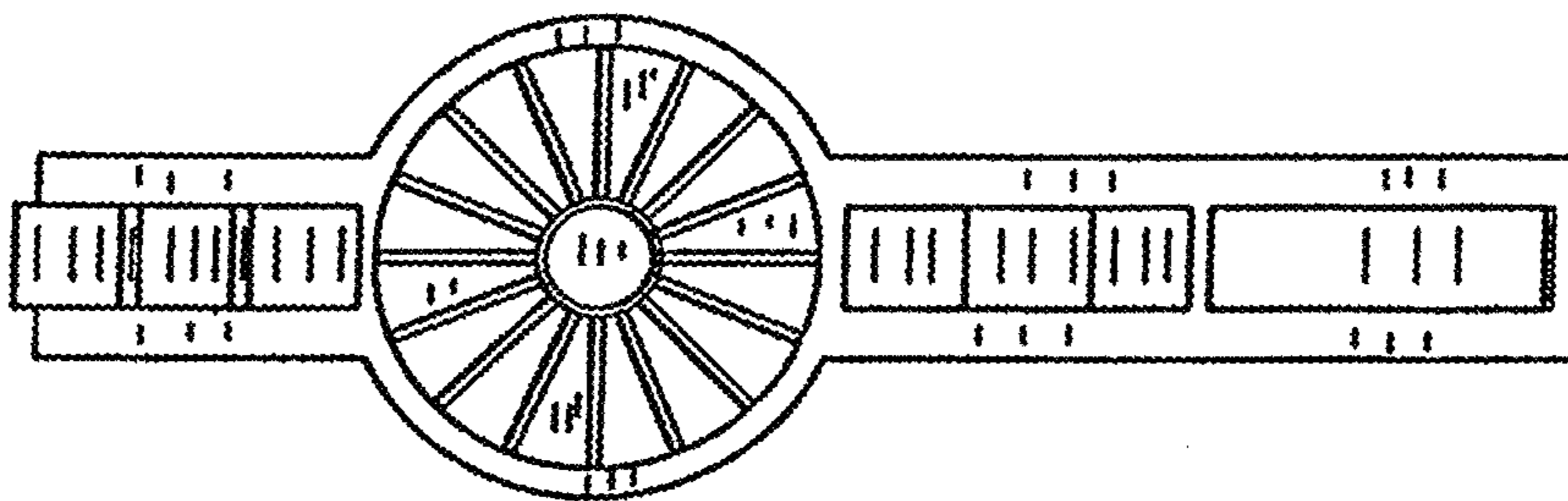


FIG. 4

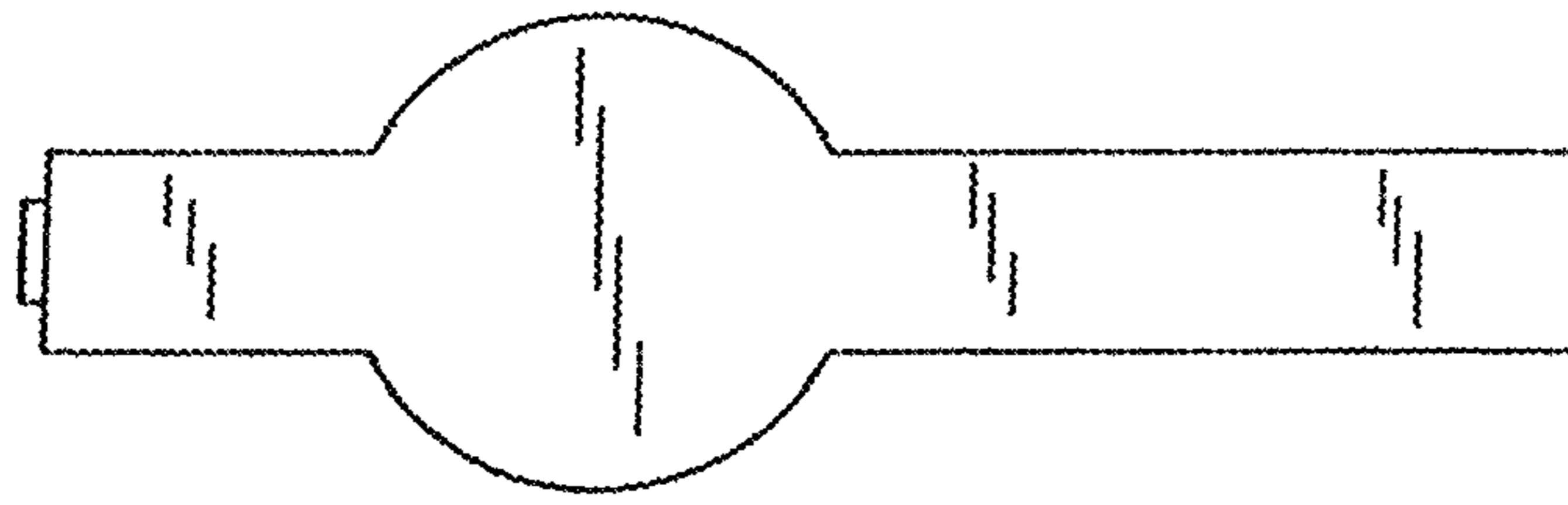


FIG. 5

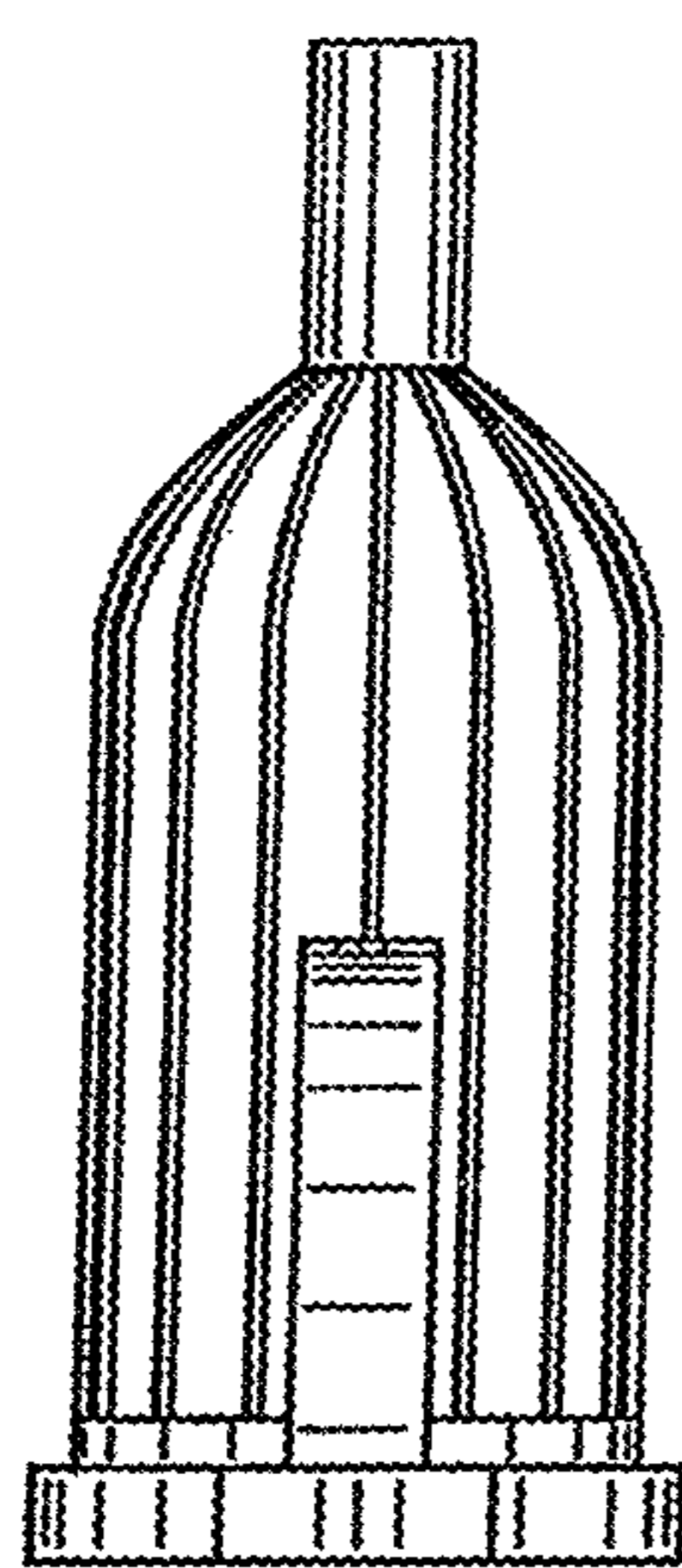


FIG. 6

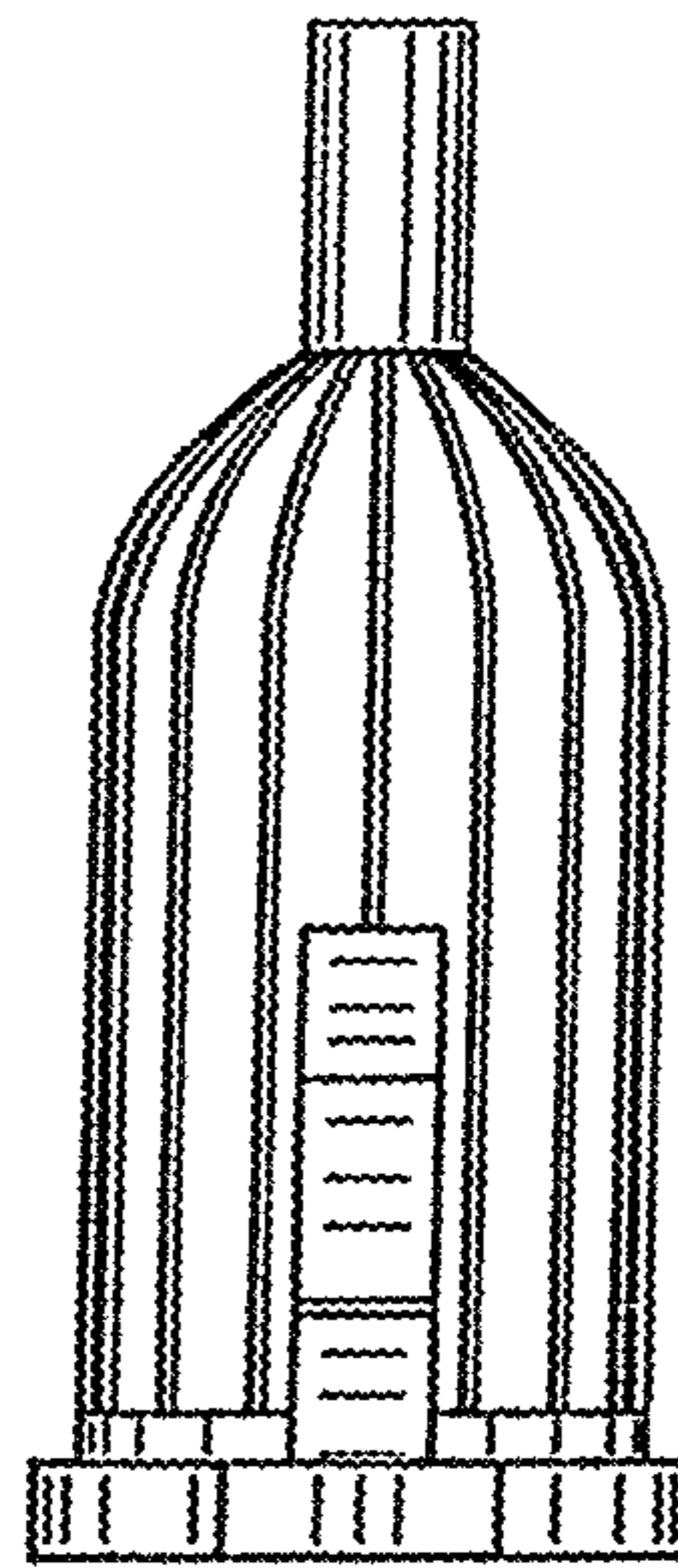


FIG. 7