



US00D796917S

(12) **United States Design Patent** (10) **Patent No.:** **US D796,917 S**
Wong (45) **Date of Patent:** **** Sep. 12, 2017**

(54) **FOLDABLE TURNING SLICER**
(71) Applicant: **Yan Kwong Wong**, Hong Kong (HK)
(72) Inventor: **Yan Kwong Wong**, Hong Kong (HK)
(**) Term: **15 Years**
(21) Appl. No.: **29/564,125**
(22) Filed: **May 11, 2016**

(30) **Foreign Application Priority Data**

Nov. 12, 2015 (HK) 1502423
(51) **LOC (10) Cl.** **07-04**
(52) **U.S. Cl.**
USPC **D7/693**; D7/381
(58) **Field of Classification Search**
USPC D7/672-679, 693-696, 412, 381-385;
83/856; 99/537
CPC B26D 3/283; B26D 3/26; B26D 3/185;
B26D 3/03; B26D 3/11; B26D 1/553;
B26D 29/063; B26D 2003/285-2003/288;
B26D 7/00; B26D 7/01; B26D 2210/02;
A47J 25/00; A47J 43/25
See application file for complete search history.

(56) **References Cited**

U.S. PATENT DOCUMENTS

D414,983 S * 10/1999 Wong D7/381
6,053,098 A * 4/2000 Yamamoto B26D 3/11
83/425.1
D448,629 S * 10/2001 Wong D7/381
D689,348 S * 9/2013 Wong D7/693

D747,916 S * 1/2016 Wong D7/381
D779,294 S * 2/2017 Friedman D7/693
D786,631 S * 5/2017 Kim D7/693
2008/0314262 A1 * 12/2008 Stark B26D 3/11
99/595
2016/0250768 A1 * 9/2016 Levine B26D 3/11
83/52
2016/0257013 A1 * 9/2016 Exley B26D 3/11
2017/0136644 A1 * 5/2017 Bagley B26D 3/11

FOREIGN PATENT DOCUMENTS

JP D1559945 * 9/2016

* cited by examiner

Primary Examiner — Susan Bennett Hattan

Assistant Examiner — Brett Miller

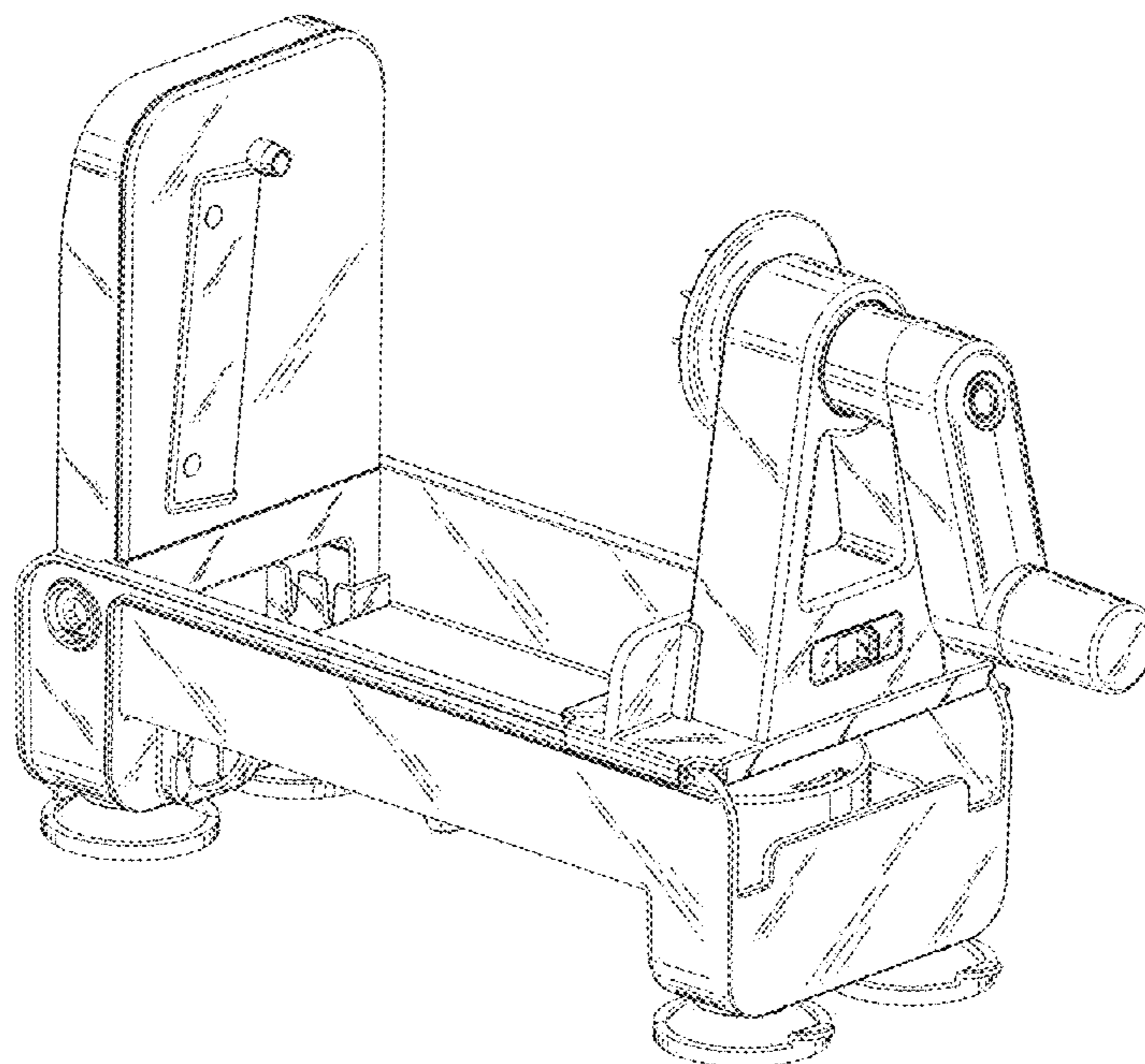
(57) **CLAIM**

The ornamental design for a foldable turning slicer, as shown and described.

DESCRIPTION

FIG. 1 is a front elevational view of a foldable turning slicer showing my new design;
FIG. 2 is a rear elevational view thereof;
FIG. 3 is a left side view thereof;
FIG. 4 is a right side view thereof;
FIG. 5 is a top plan view thereof;
FIG. 6 is a bottom plan view thereof;
FIG. 7 is a first perspective view thereof;
FIG. 8 is a second perspective view thereof;
FIG. 9 is a third perspective view thereof;
FIG. 10 is a fourth perspective view thereof; and,
FIG. 11 is a fifth perspective view thereof.

1 Claim, 11 Drawing Sheets



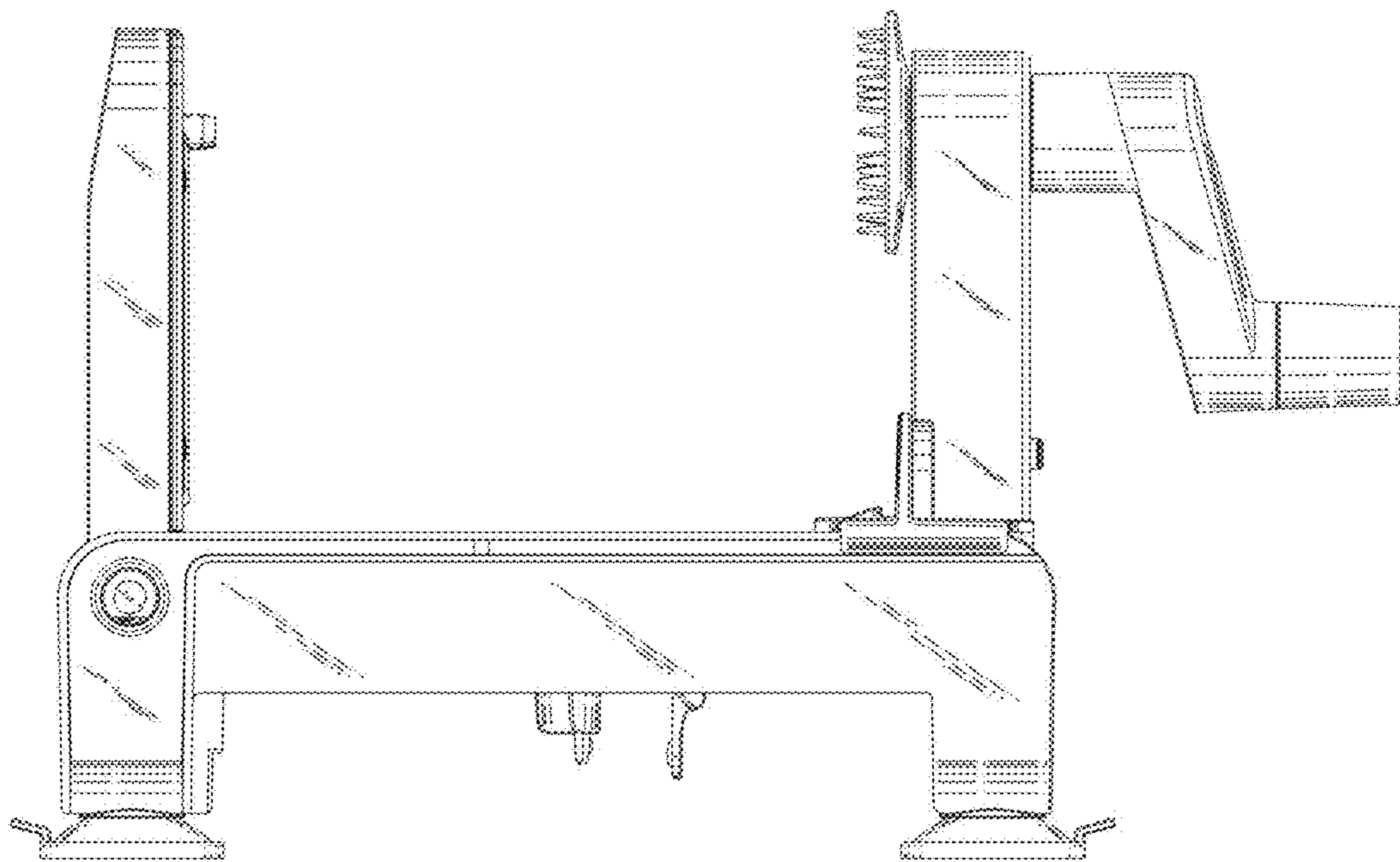


Fig. 1

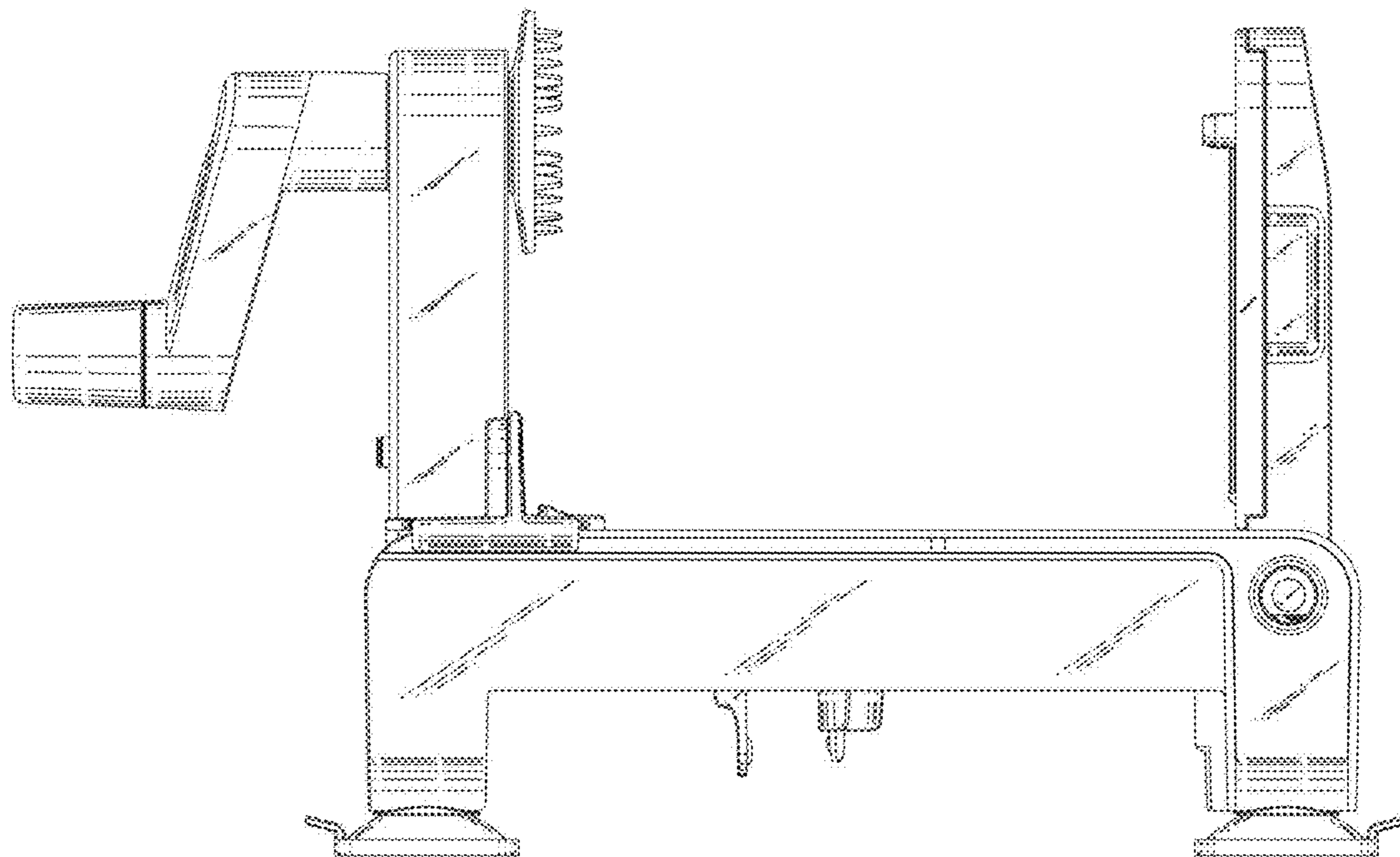


Fig. 2

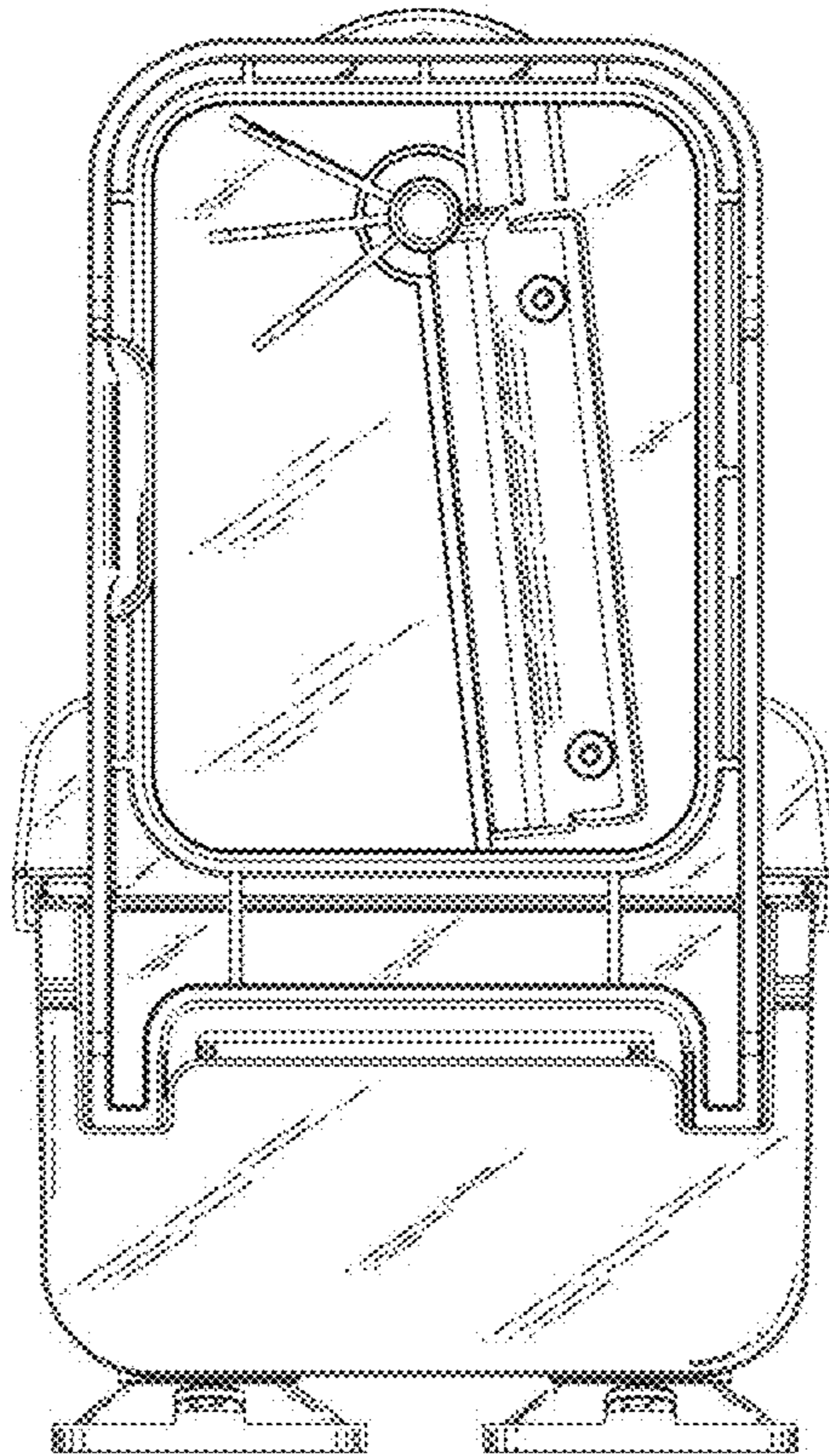


Fig. 3

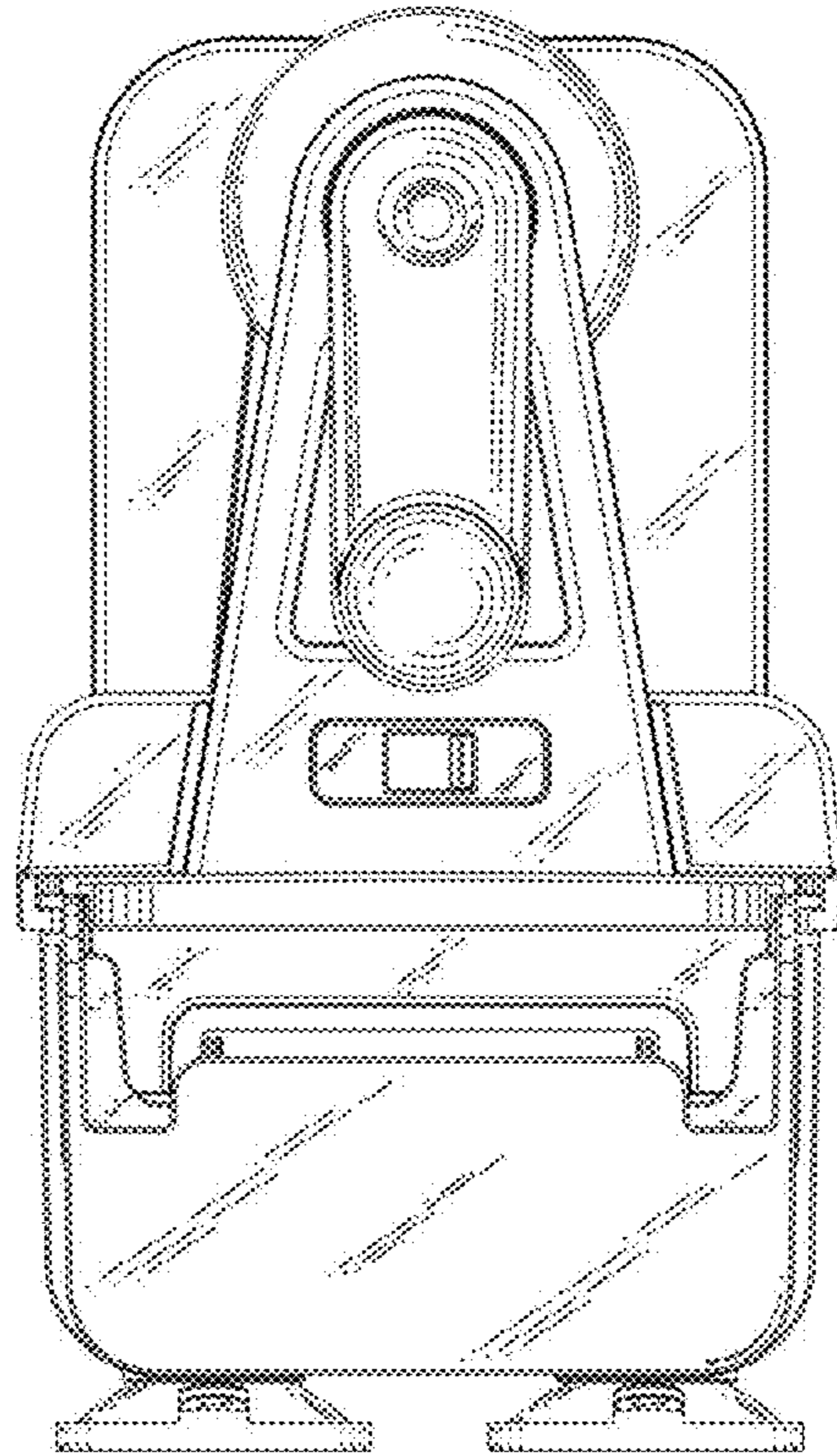


Fig. 4

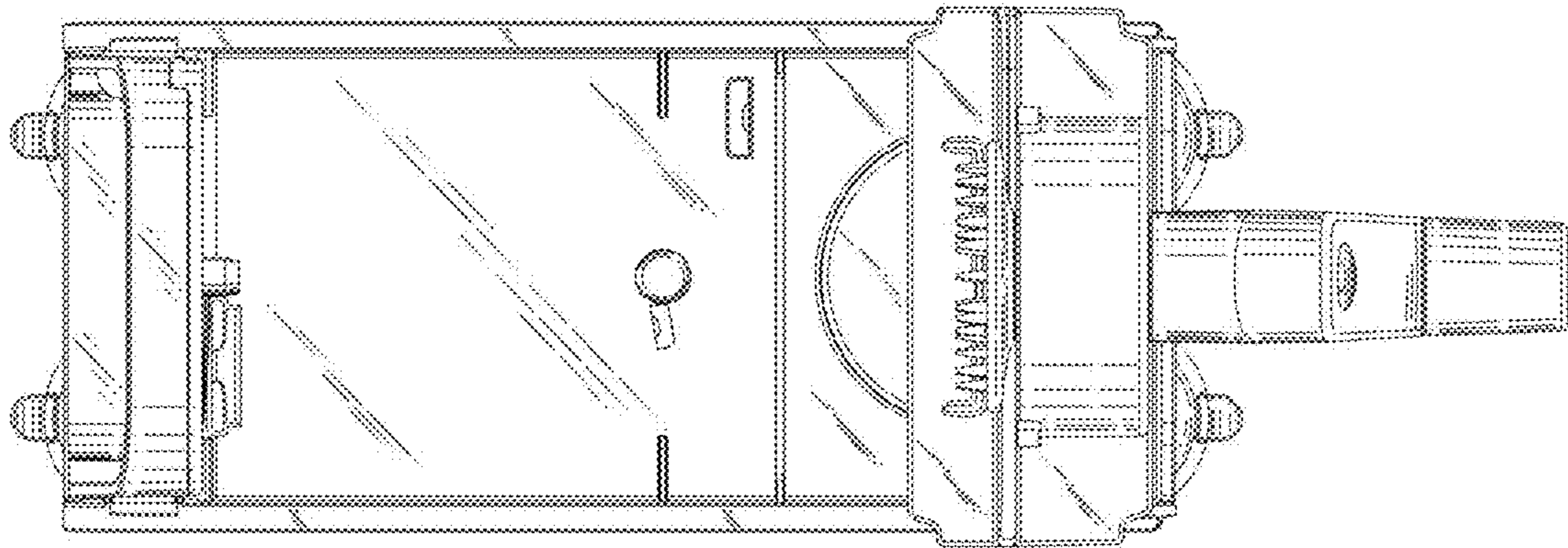


Fig. 5

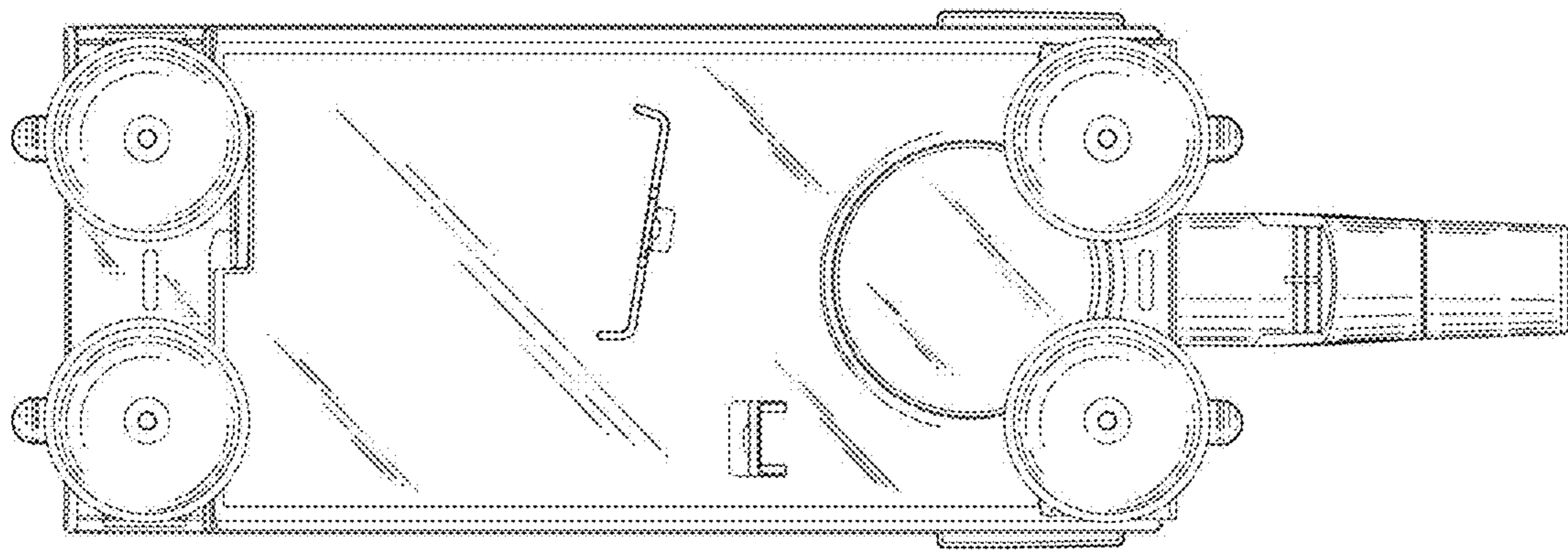


Fig. 6

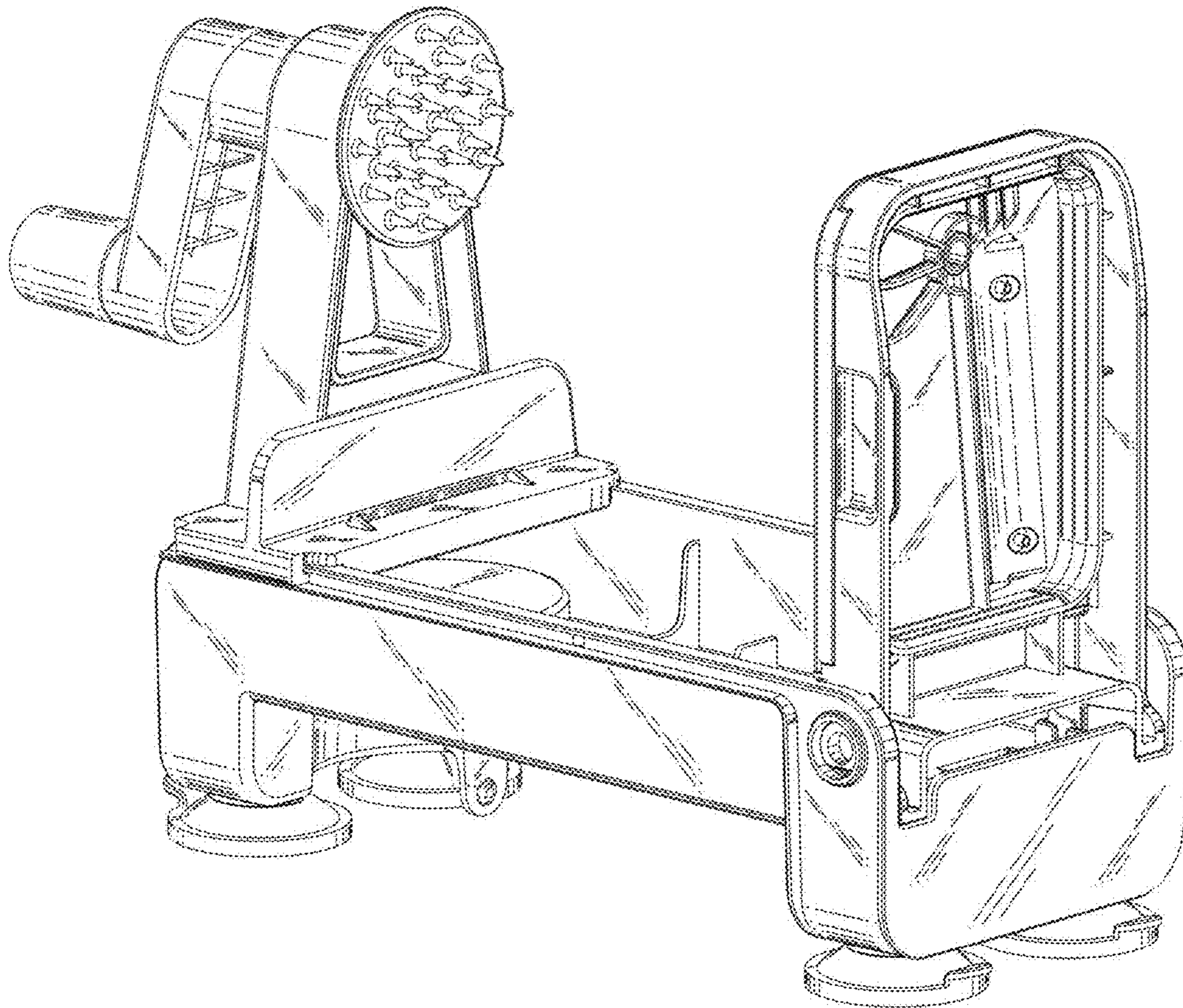


Fig. 7

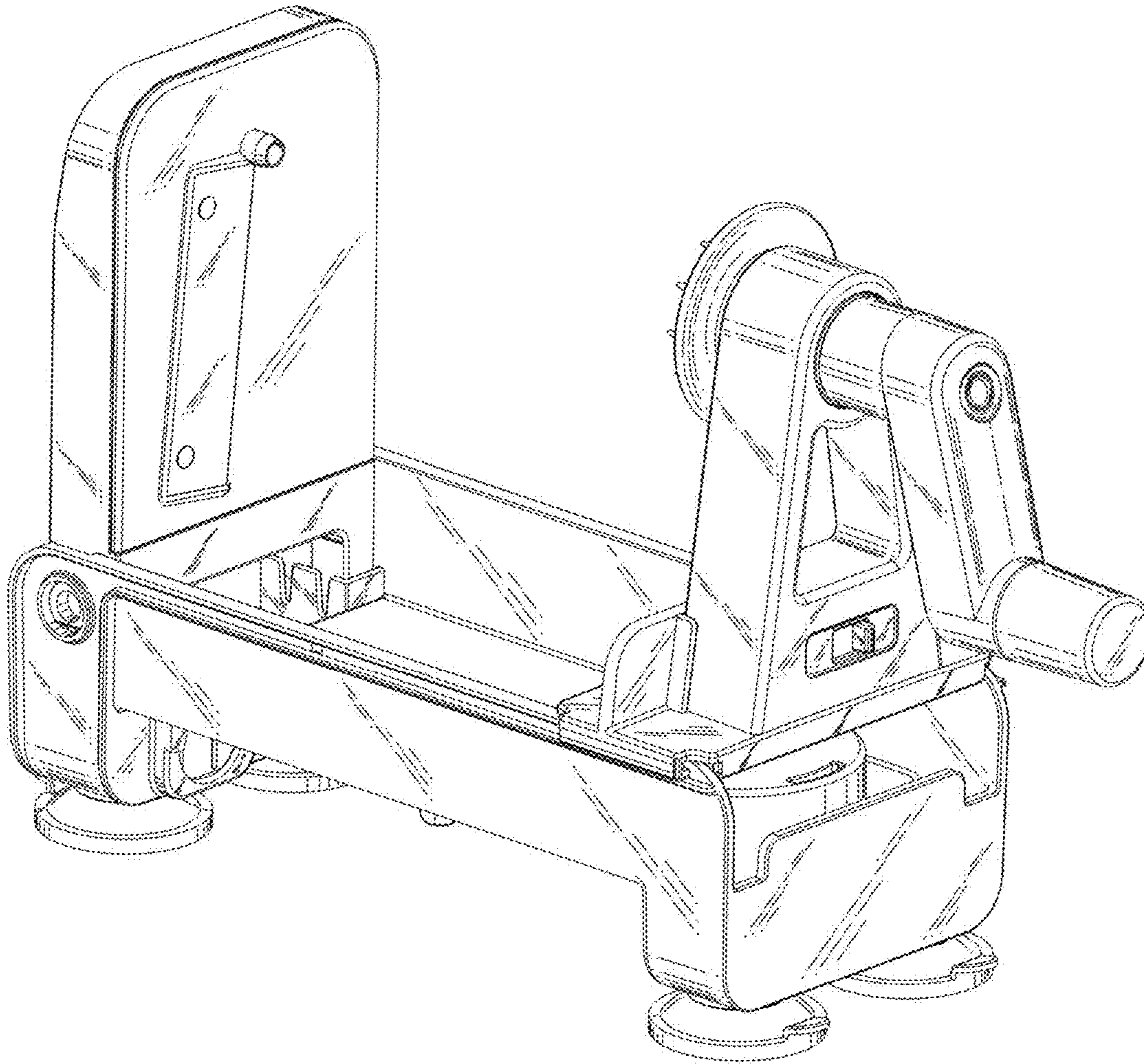


Fig. 8

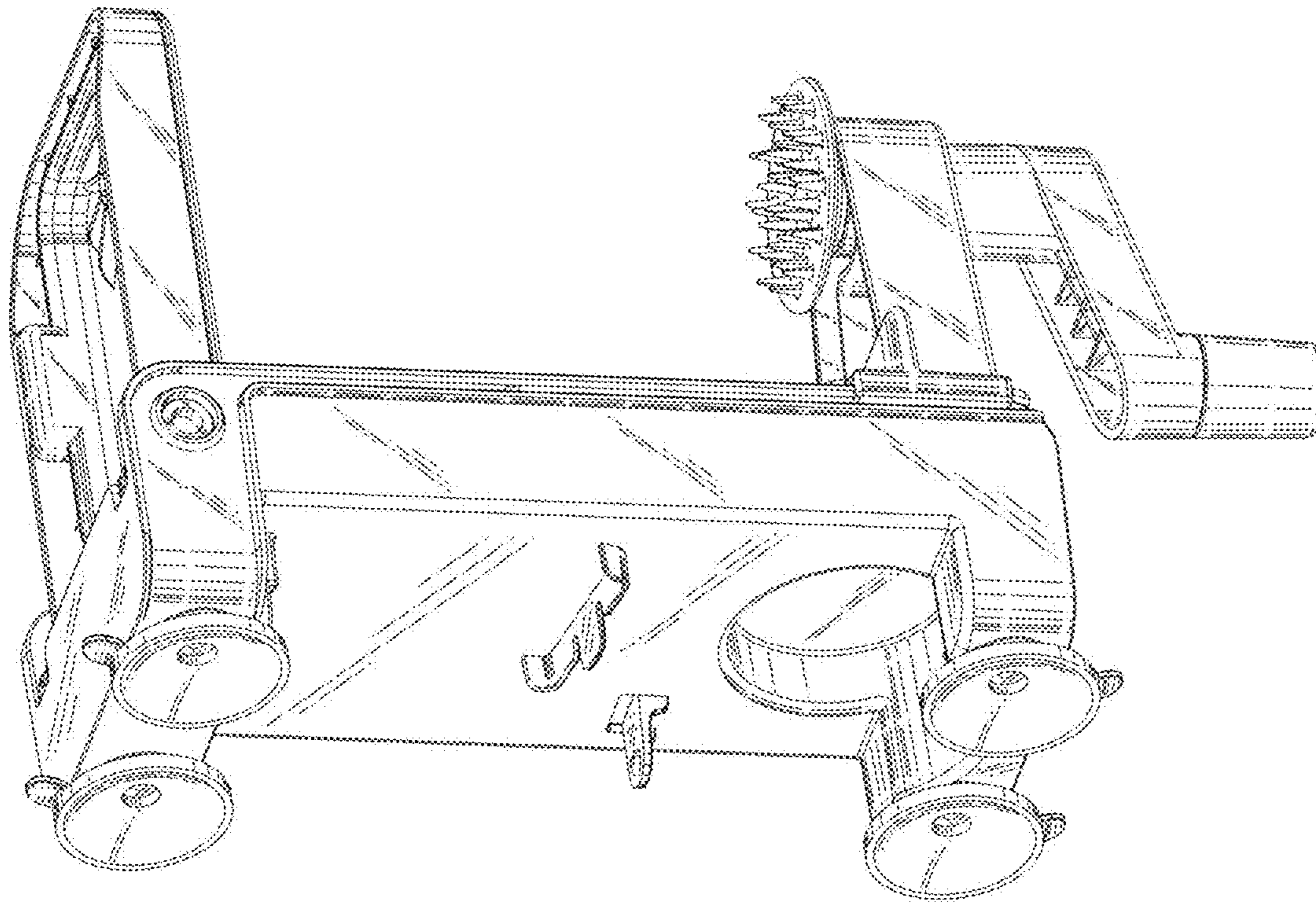


Fig. 9

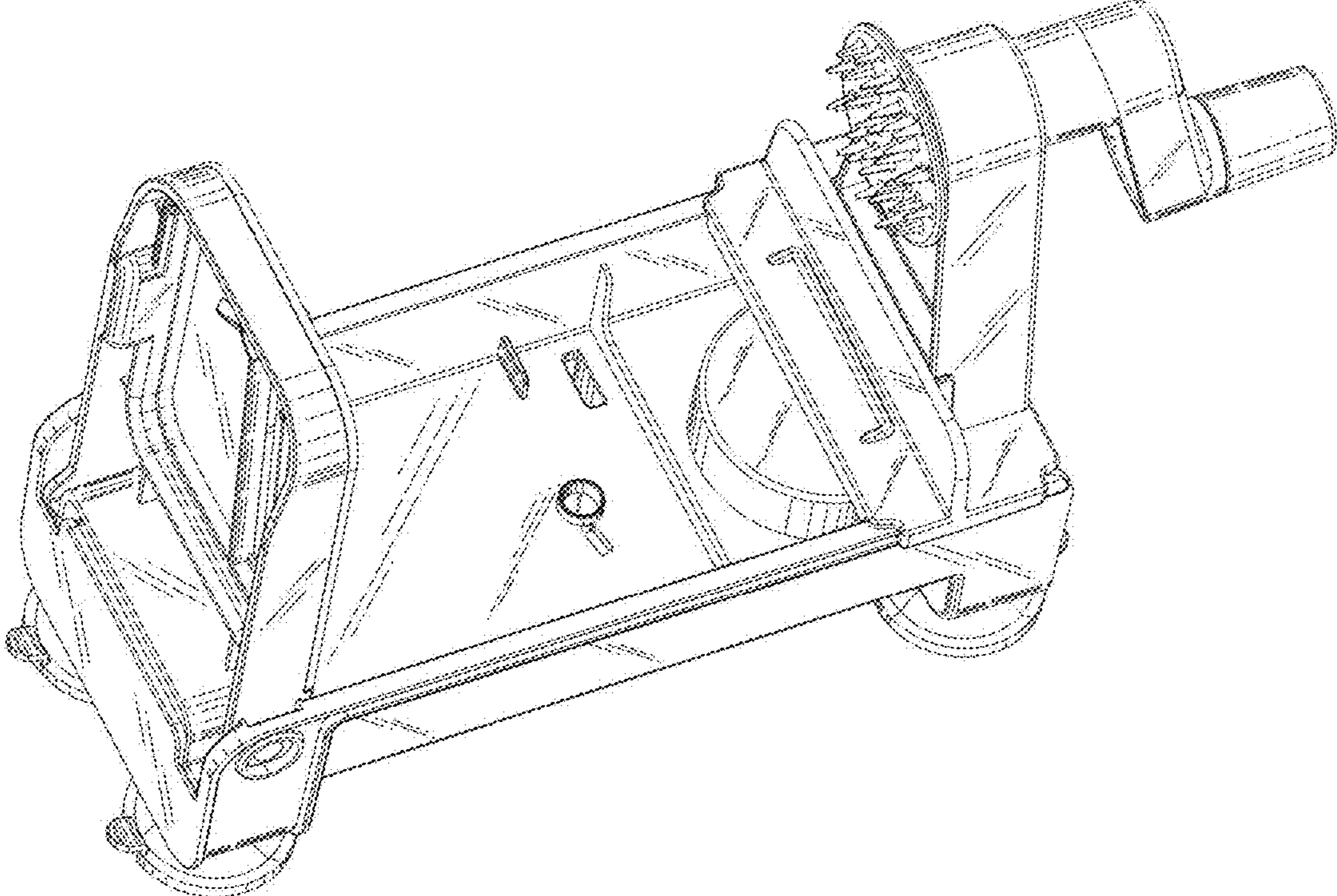


Fig. 10

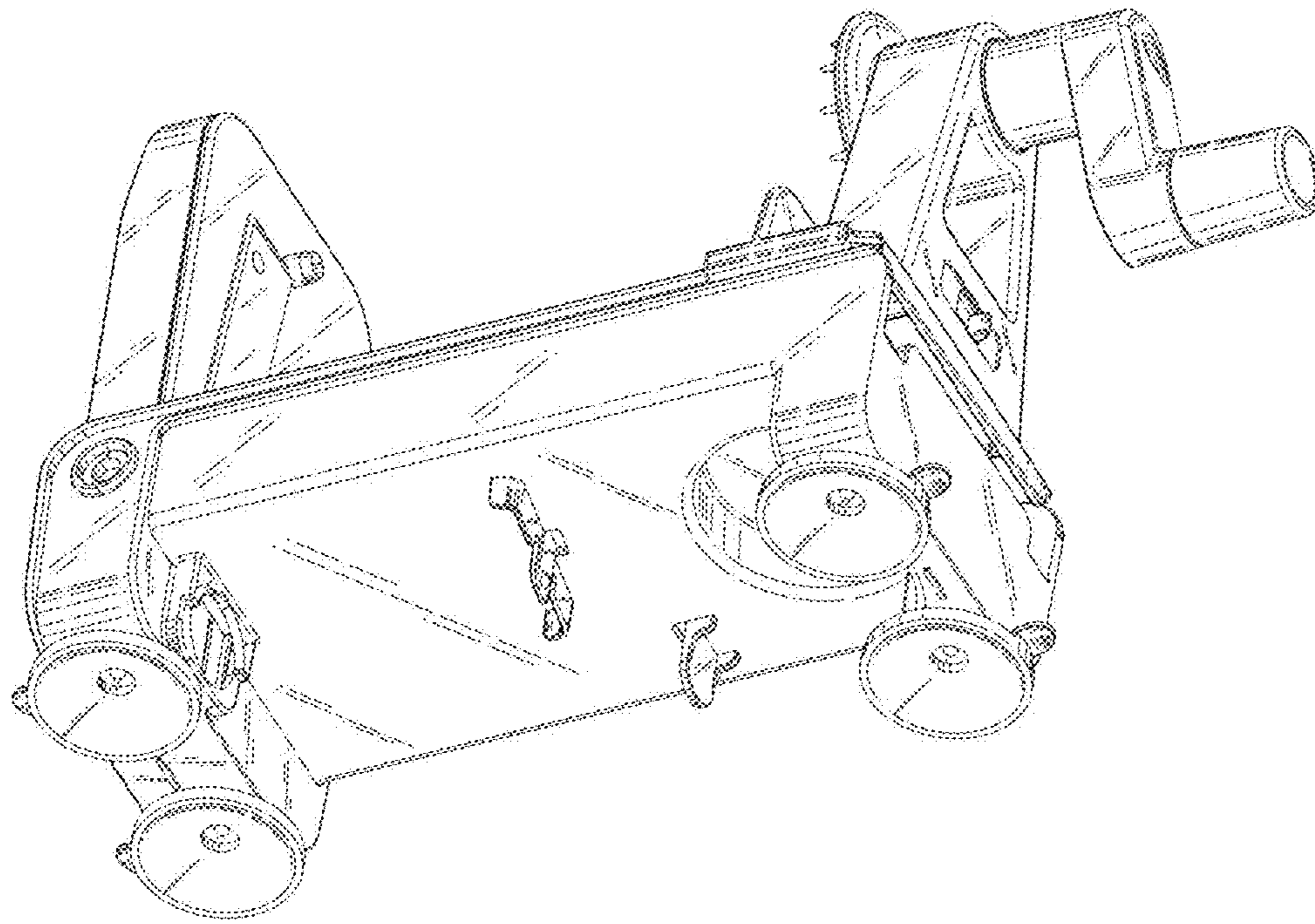


Fig. 11