



US00D796912S

(12) **United States Design Patent**
Redfern et al.

(10) **Patent No.:** **US D796,912 S**
(45) **Date of Patent:** **** Sep. 12, 2017**

(54) **BEVERAGE CONTAINER SUPPORT**

(71) Applicants: **Ron Redfern**, Greeley, CO (US); **Brian Franzen**, Greeley, CO (US)

(72) Inventors: **Ron Redfern**, Greeley, CO (US); **Brian Franzen**, Greeley, CO (US)

(**) Term: **15 Years**

(21) Appl. No.: **29/549,345**

(22) Filed: **Dec. 21, 2015**

Related U.S. Application Data

(62) Division of application No. 14/522,391, filed on Oct. 23, 2014, now abandoned.

(51) **LOC (10) Cl.** **07-06**

(52) **U.S. Cl.**

USPC **D7/622**

(58) **Field of Classification Search**

USPC D7/619.1-625, 393, 396.2, 533
CPC .. B65D 25/2817; B65D 69/00; B65D 23/106;
B65D 23/104; B60N 3/102; A47J 45/077;
A47G 23/0216; A47G 23/0233; A47G
19/2272; A47G 19/065
See application file for complete search history.

(56) **References Cited**

U.S. PATENT DOCUMENTS

- 3,847,311 A * 11/1974 Flores A47G 19/2272
220/264
- D241,906 S * 10/1976 Dart D7/393
- 4,655,373 A * 4/1987 Essen A47G 19/12
220/835
- D333,072 S * 2/1993 Hung D7/622
- 5,219,419 A * 6/1993 Prothe A47G 19/23
206/515
- D370,384 S * 6/1996 Shamis D7/393
- D395,205 S * 6/1998 Inwood D7/622

- 5,816,631 A * 10/1998 Kochan B65D 23/106
215/396
- D437,187 S * 2/2001 Cheng D7/622
- 6,520,366 B1 * 2/2003 Bradley A47G 19/065
220/23.2
- D484,753 S * 1/2004 Giampavolo D7/620
- D489,577 S * 5/2004 Giampavolo D7/620
- D502,056 S * 2/2005 Bakti D7/507
- 7,581,704 B1 * 9/2009 Pugsley A47G 23/0233
220/737
- 8,210,392 B2 * 7/2012 Kang B65D 25/2847
220/737

(Continued)

Primary Examiner — Terry Wallace

(74) *Attorney, Agent, or Firm* — Sheridan Ross P.C.

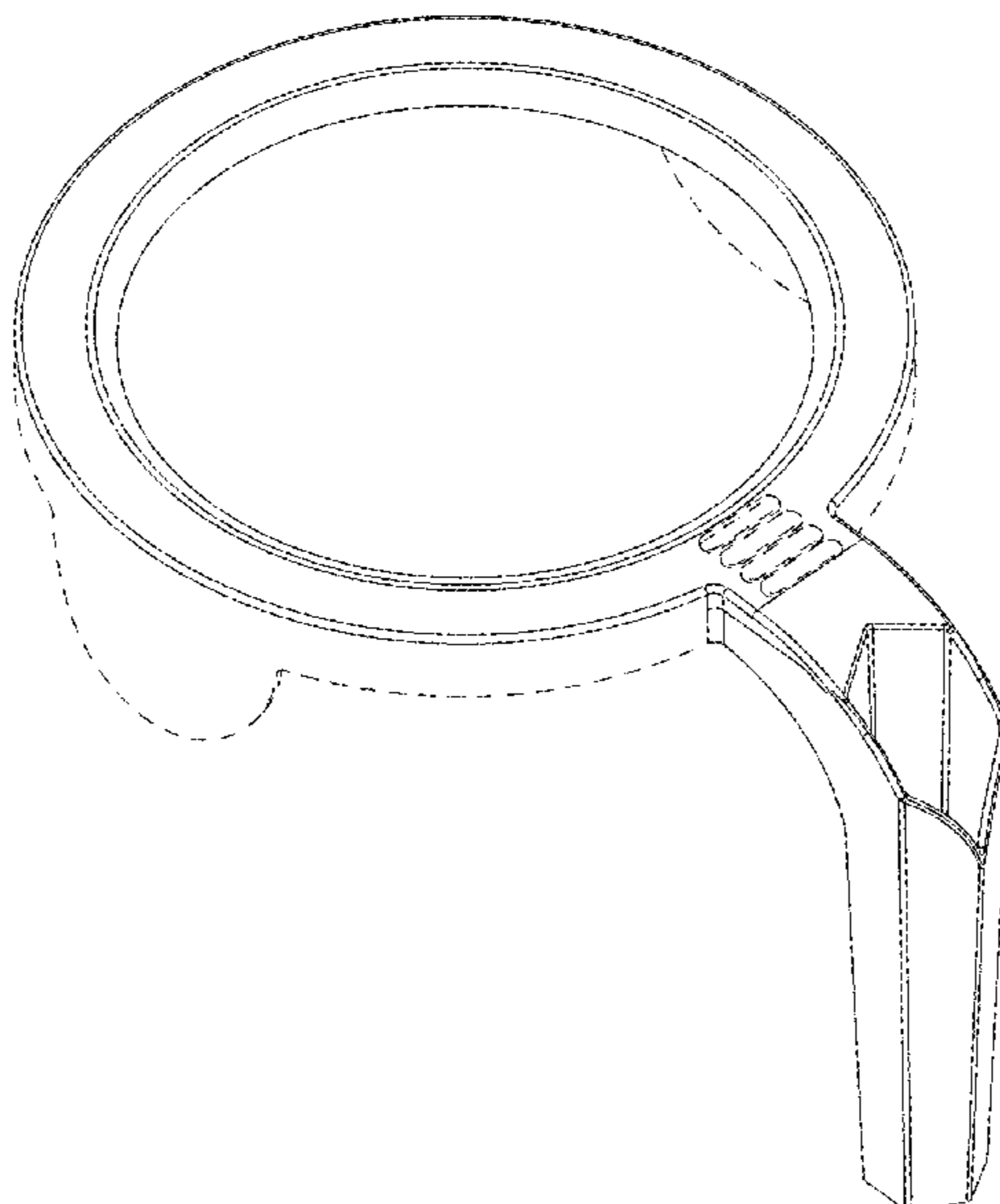
(57) **CLAIM**

The ornamental design for a beverage container support, as shown and described.

DESCRIPTION

FIG. 1 is a perspective view of a beverage container support; FIG. 2 is a side elevation view thereof; FIG. 3 is a front elevation view thereof; FIG. 4 is a top plan view thereof; FIG. 5 is a rear elevation view thereof; FIG. 6 is a bottom plan view thereof; FIG. 7 is a perspective view thereof showing a beverage container in broken lines. FIG. 8 is a perspective view thereof in a stacking configuration, showing the stacked beverage container supports in broken lines; and, FIG. 9 is a perspective view thereof in another stacking configuration, showing the stacked beverage container supports and beverage containers in broken lines. The broken lines show portions of the beverage container support(s) and beverage container(s) which form no part of the claimed design.

1 Claim, 5 Drawing Sheets



(56)

References Cited

U.S. PATENT DOCUMENTS

8,364,542 B2 * 1/2013 Grauel B65D 23/104
156/52
8,561,834 B2 * 10/2013 Ziegler A47G 23/0233
220/212.5
D693,649 S * 11/2013 Yeung D7/622
2002/0185496 A1 * 12/2002 Puerini A47G 23/0216
220/738
2006/0102637 A1 * 5/2006 Robertson A47G 19/065
220/737
2012/0074155 A1 * 3/2012 Yeung A47G 23/0216
220/737

* cited by examiner

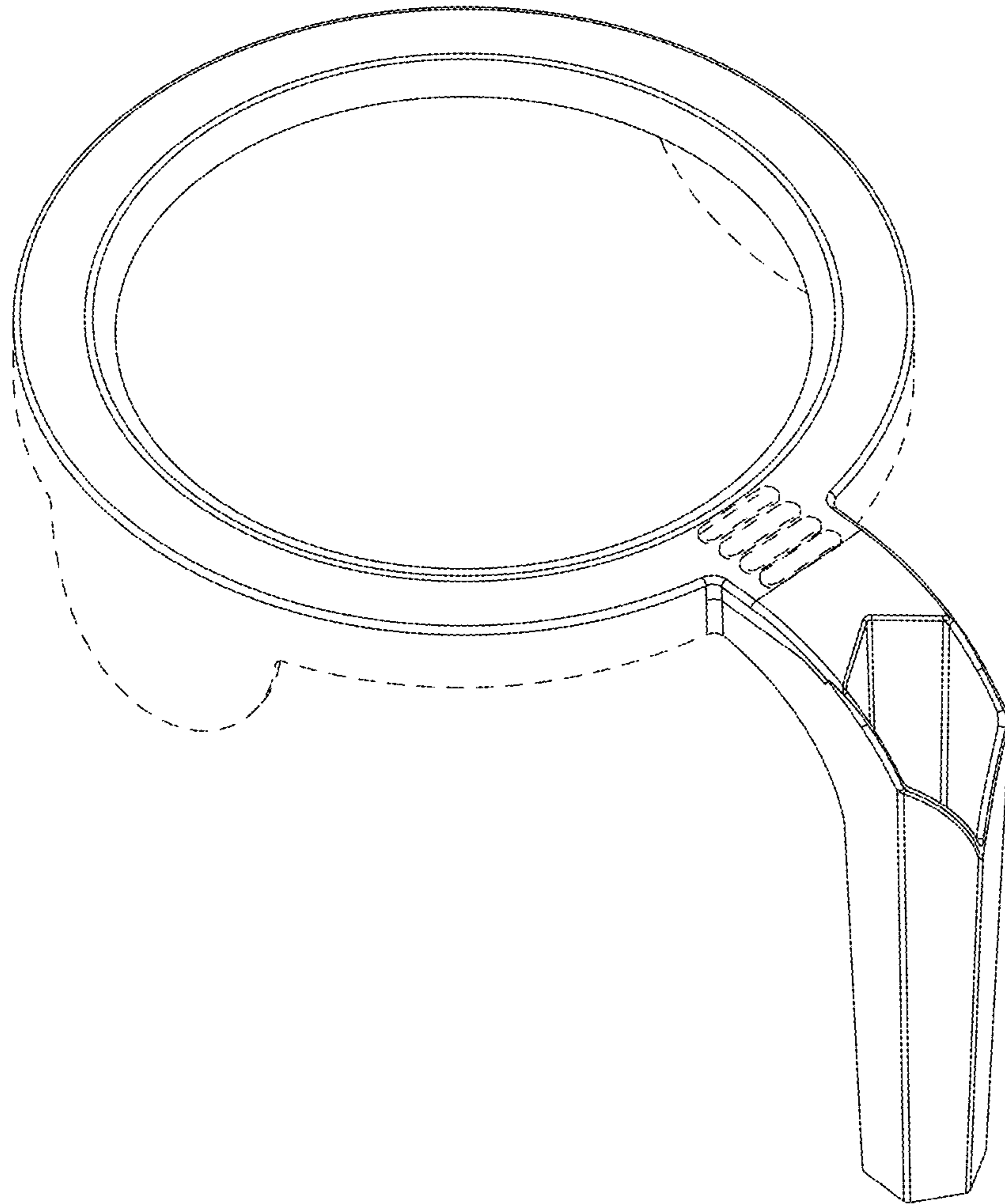


FIG.1

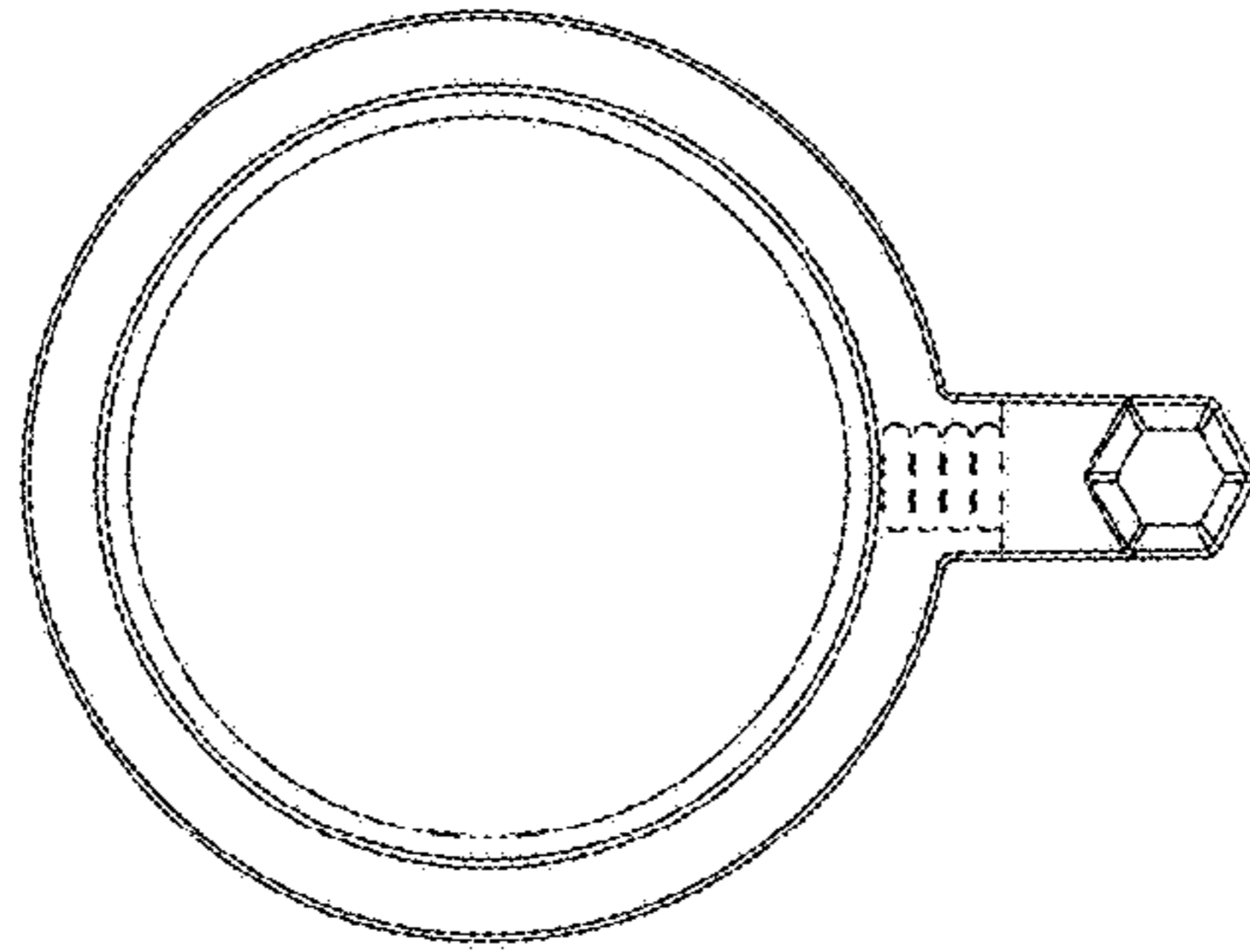


FIG. 4

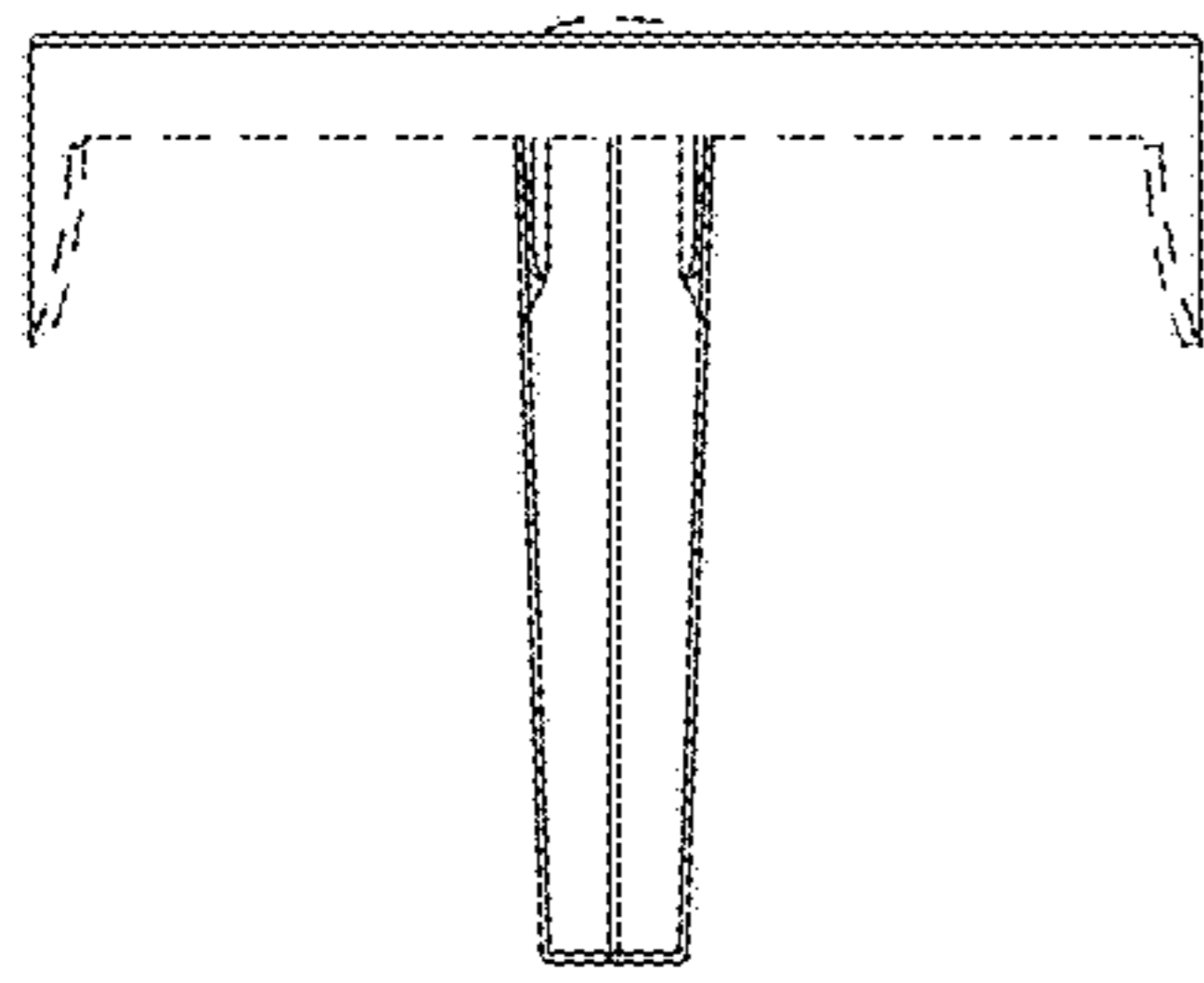


FIG. 3

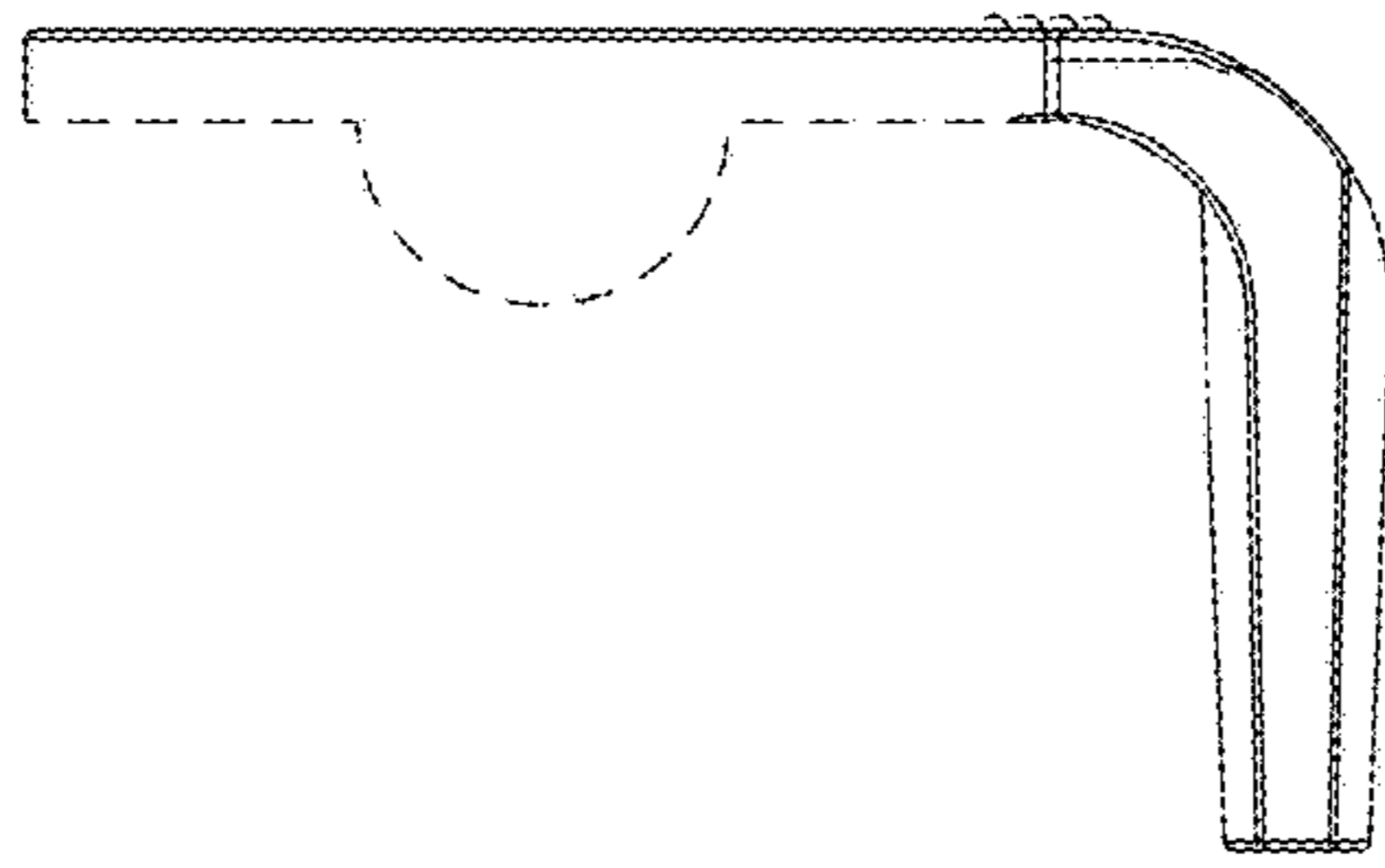


FIG. 2

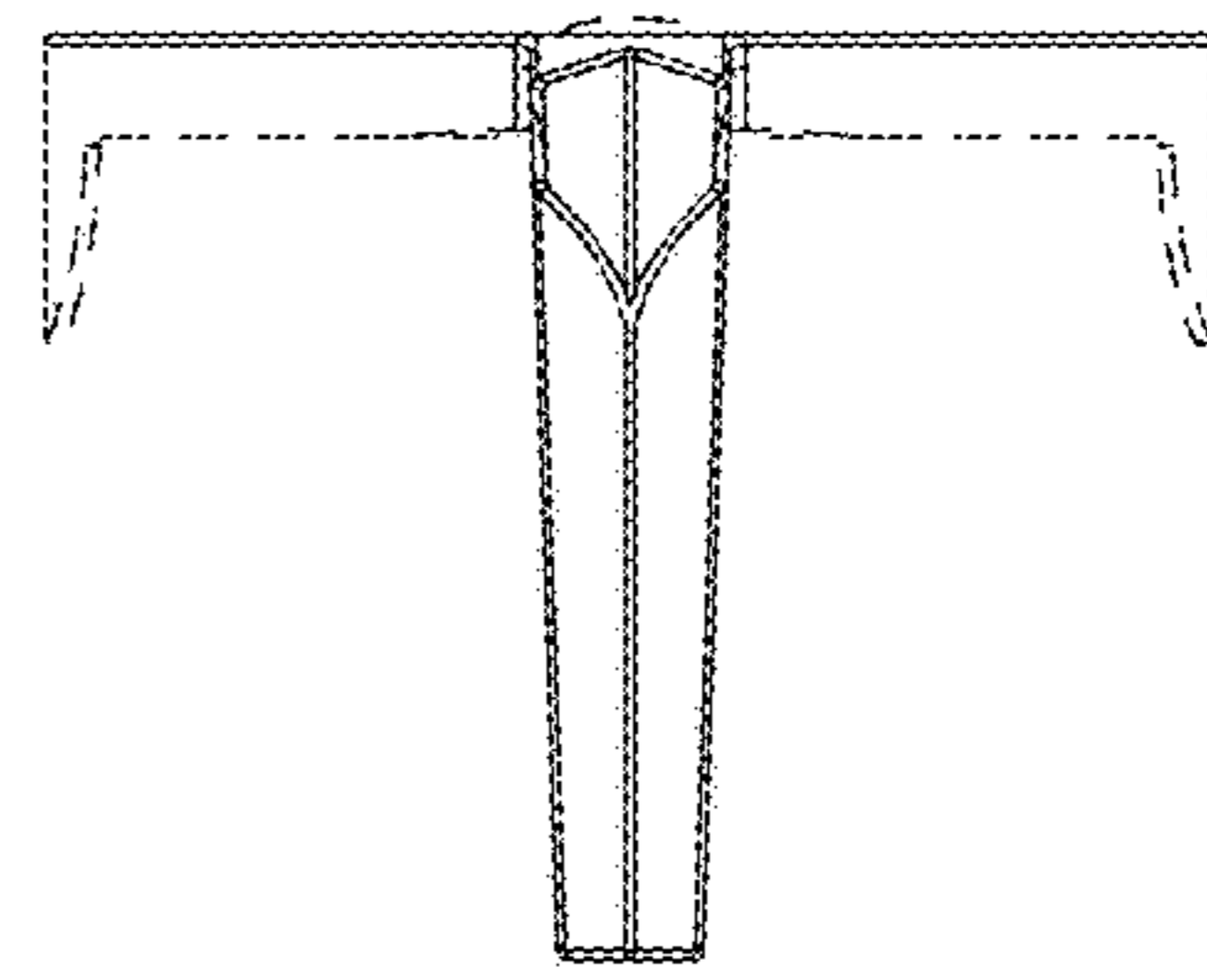


FIG. 5

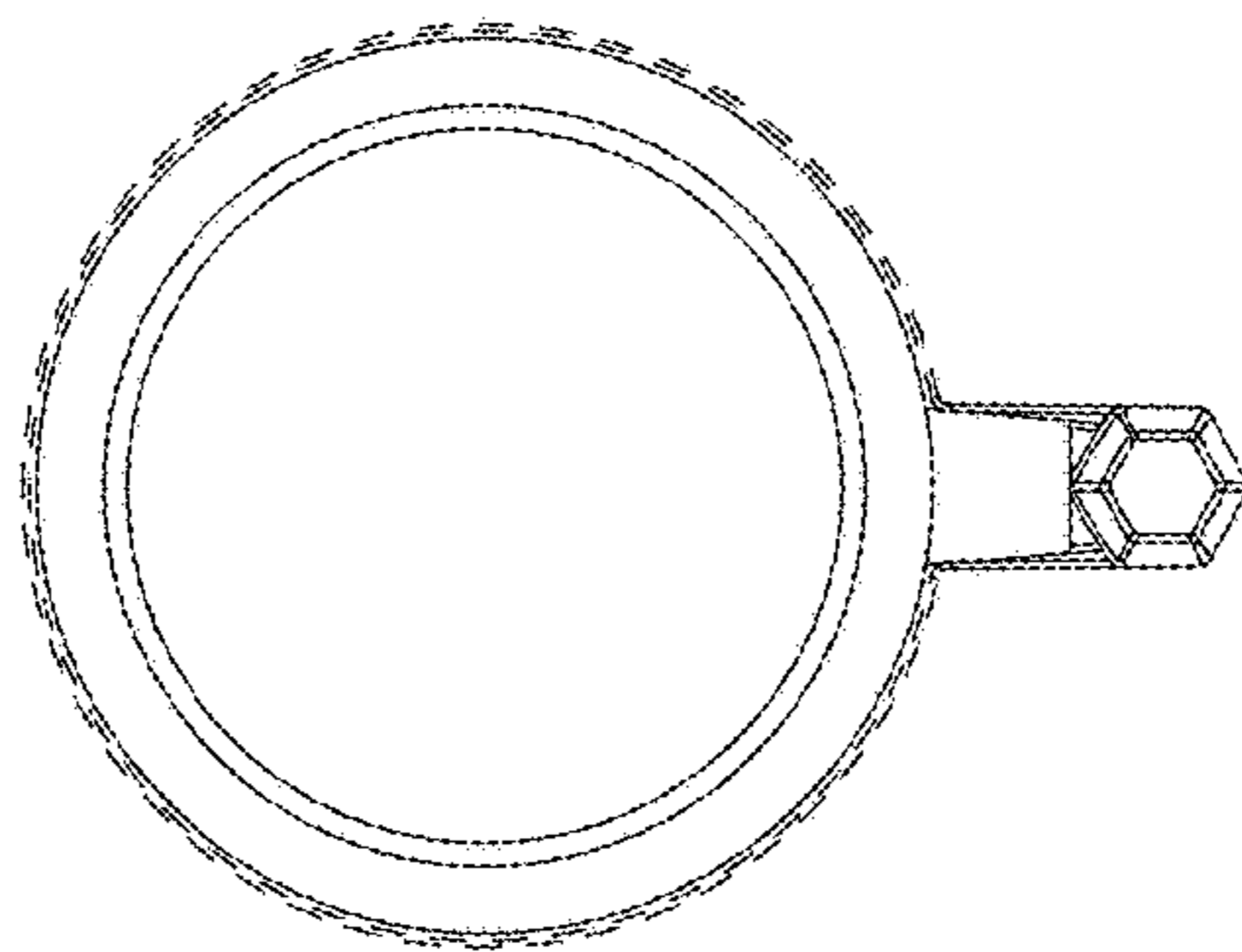


FIG. 6

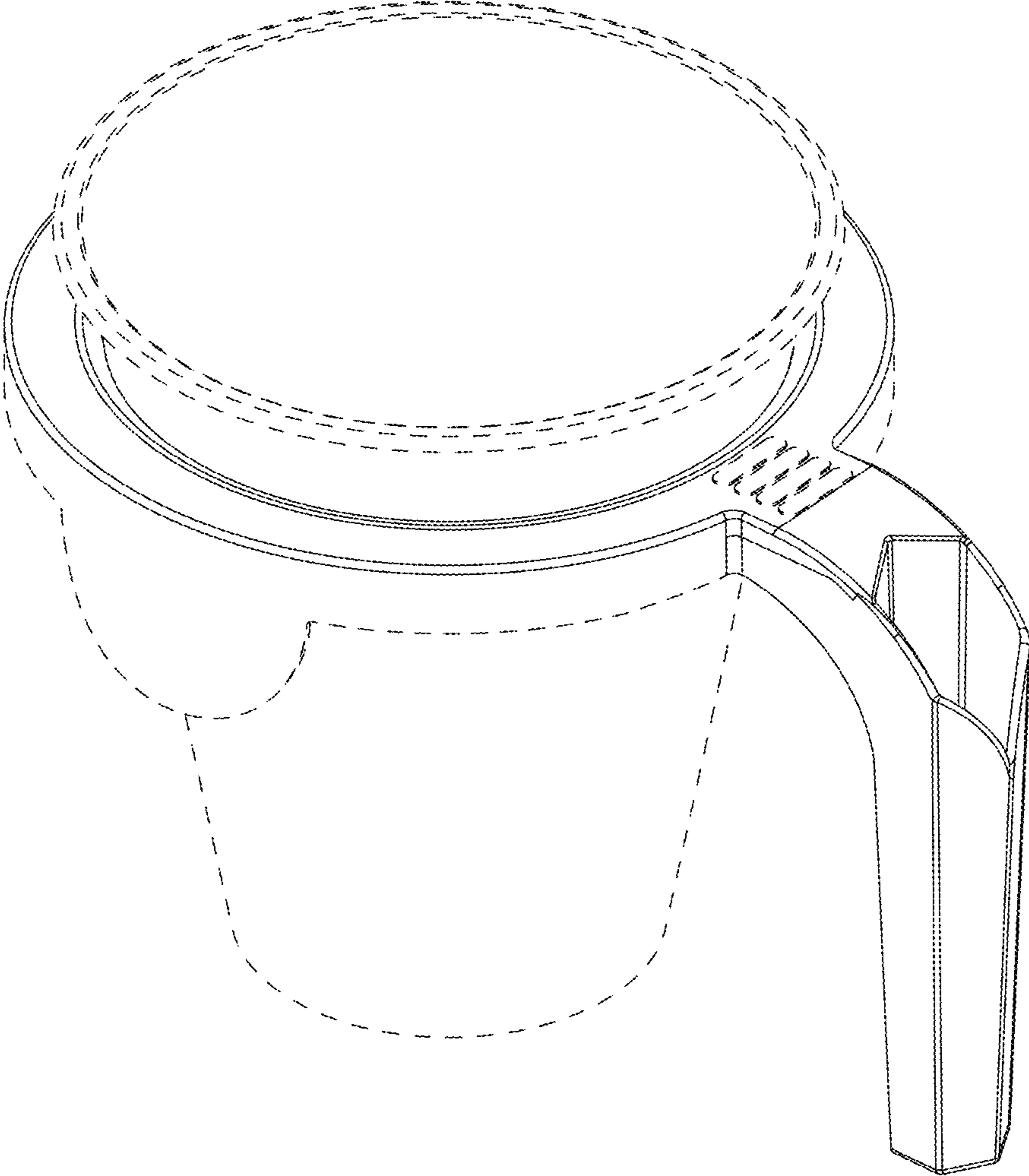


FIG. 7

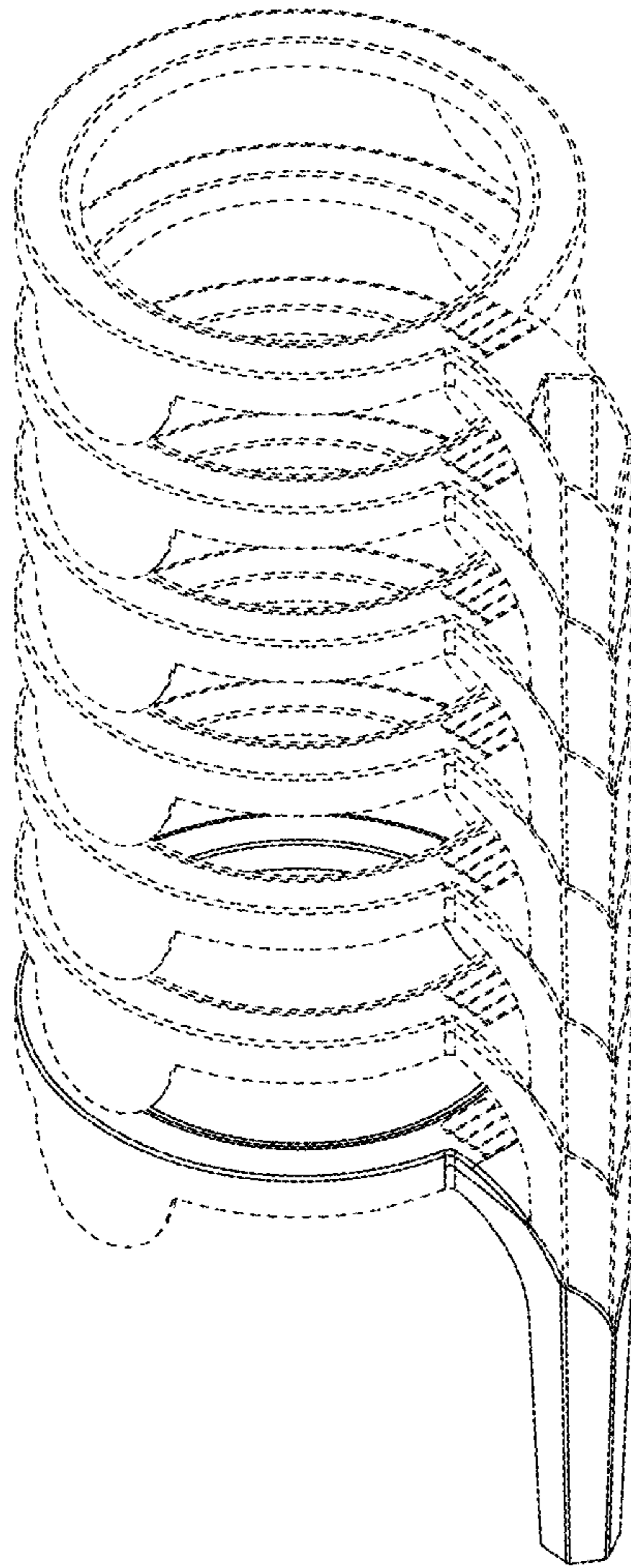


FIG.8

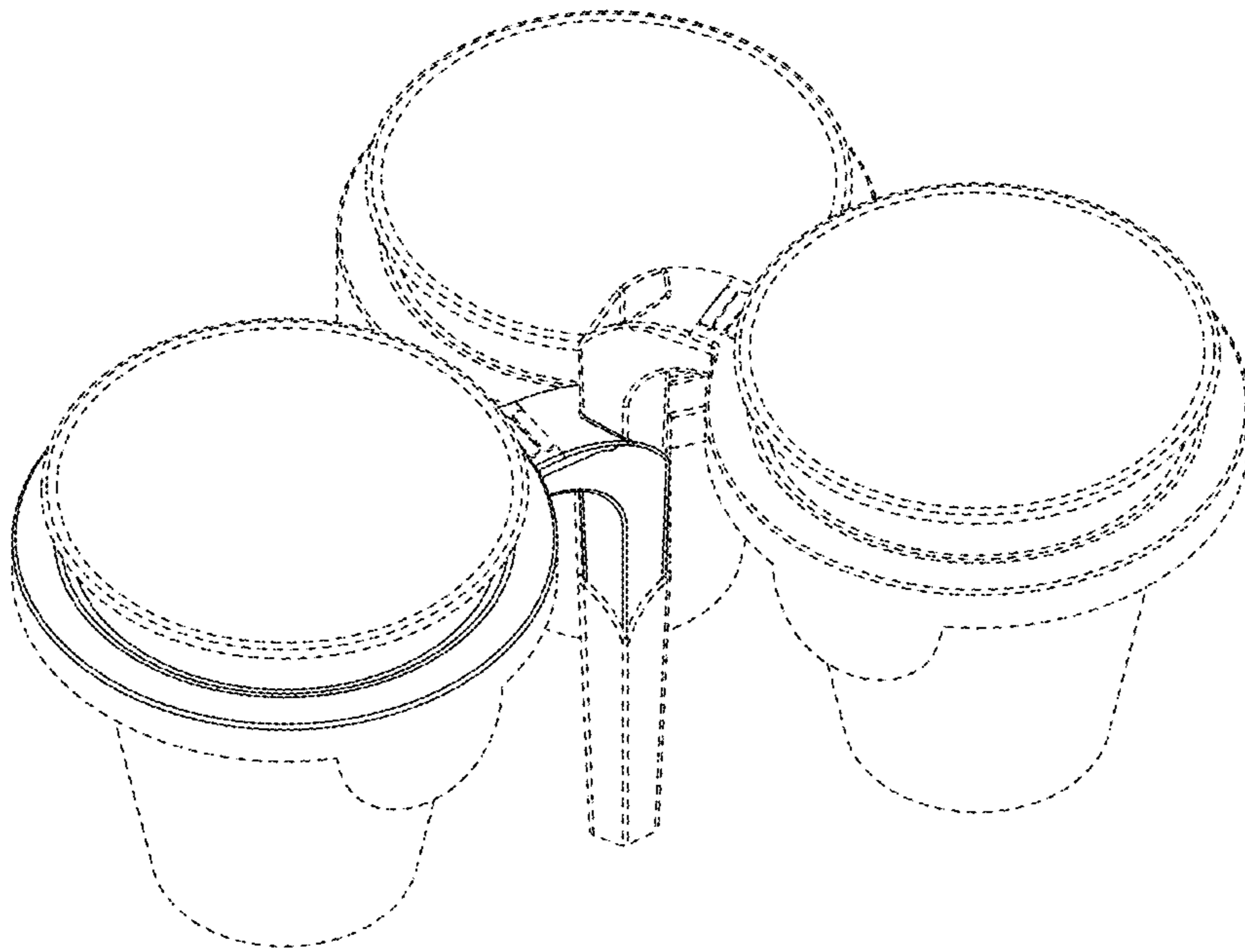


FIG. 9