



US00D796911S

(12) **United States Design Patent** (10) **Patent No.:** **US D796,911 S**  
**Deutsch et al.** (45) **Date of Patent:** **\*\* Sep. 12, 2017**

(54) **DISPLAY IN A COOLER LID**  
 (71) Applicant: **Constellation Marketing Services, Inc.**, Chicago, IL (US)  
 (72) Inventors: **Barry Deutsch**, Woodinville, WA (US); **Alan Dillingham**, Woodinville, WA (US)  
 (73) Assignee: **CONSTELLATION MARKETING SERVICES, INC.**, Chicago, IL (US)

D669,430 S 10/2012 Budike  
 D685,322 S 7/2013 Szymanski et al.  
 D699,246 S 2/2014 Ringlein  
 D705,722 S 5/2014 Gengler  
 8,733,577 B2 \* 5/2014 Patterson ..... A45F 3/46  
 220/915.1  
 D729,792 S \* 5/2015 Kurimoto ..... D14/315  
 D730,888 S 6/2015 Malsan  
 D745,809 S 12/2015 Rowley et al.  
 D756,367 S 5/2016 Kim  
 D762,577 S 8/2016 Ovadia et al.  
 D764,729 S 8/2016 Choi et al.  
 D766,908 S 9/2016 Richter  
 2015/0115894 A1 4/2015 Grepper

(\*\*) Term: **15 Years**

\* cited by examiner

(21) Appl. No.: **29/551,779**

*Primary Examiner* — Terry Wallace

(22) Filed: **Jan. 15, 2016**

(74) *Attorney, Agent, or Firm* — Michael Best & Friedrich LLP

(51) **LOC (10) Cl.** ..... **07-01**

(52) **U.S. Cl.**  
USPC ..... **D7/605**; D14/315

(57) **CLAIM**

We claim the ornamental design for a display in a cooler lid, as shown and described.

(58) **Field of Classification Search**  
 USPC ..... D7/605–608; D3/272, 273, 274;  
 D14/314, 315, 327, 336, 341, 300  
 CPC ... A45C 11/20; F25D 3/08; F25D 3/14; F25D  
 2331/804; B65D 81/3823; B65D 25/54;  
 B65D 43/166; B65D 51/248  
 See application file for complete search history.

**DESCRIPTION**

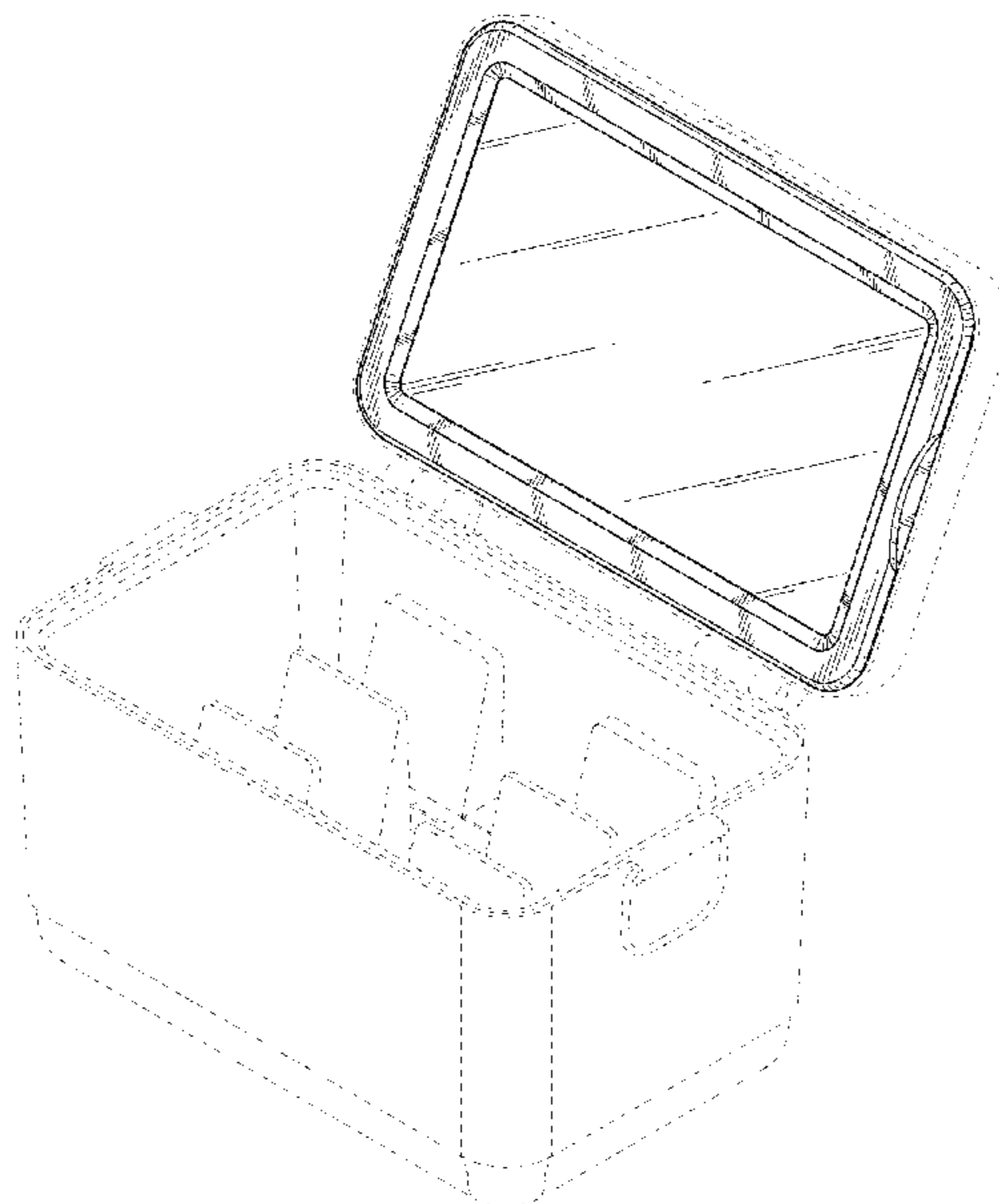
FIG. 1 is a perspective view of a display in a cooler lid embodying the invention.  
 FIG. 2 is a front elevation view of a display in a cooler lid shown in FIG. 1.  
 FIG. 3 is a right side elevation view of a display in a cooler lid shown in FIG. 1.  
 FIG. 4 is a left side elevation of a display in a cooler lid shown in FIG. 1.  
 FIG. 5 is a top plan elevation view of a display in a cooler lid shown in FIG. 1; and,  
 FIG. 6 is a bottom plan elevation view of a display in a cooler lid shown in FIG. 1.  
 The broken lines showing the environment form no part of the claimed design.

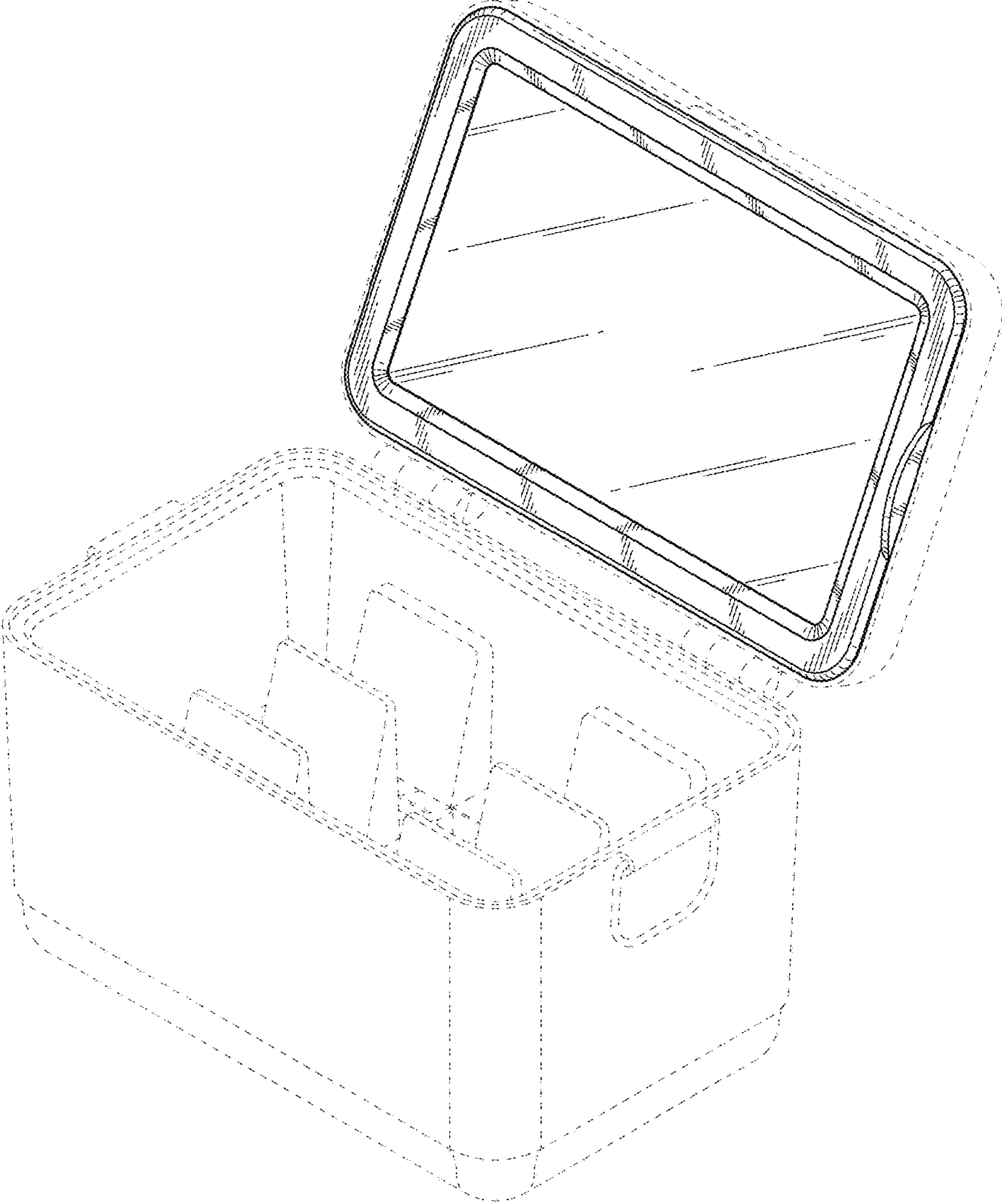
(56) **References Cited**

U.S. PATENT DOCUMENTS

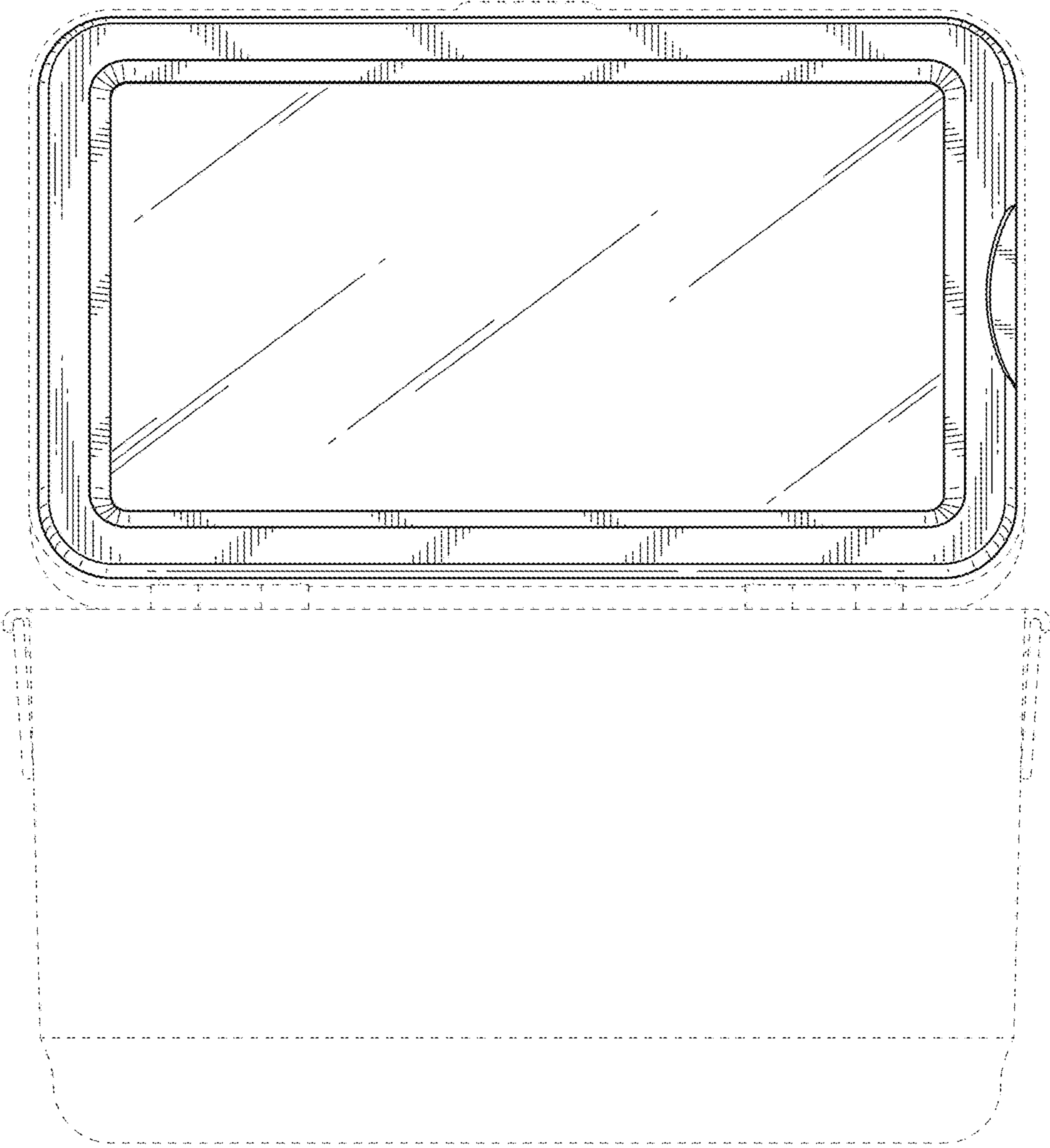
4,974,426 A \* 12/1990 Gomez ..... A45C 11/20  
 62/457.7  
 D322,738 S \* 12/1991 Onweiler ..... D7/605  
 D369,722 S \* 5/1996 Lopez, Jr. .... D7/605  
 6,862,896 B1 \* 3/2005 Seidl ..... F25D 3/08  
 220/592.16  
 7,722,204 B1 \* 5/2010 Sandberg ..... F25D 3/08  
 362/155  
 D668,662 S 10/2012 Suiter  
 D669,429 S 10/2012 Budike

**1 Claim, 6 Drawing Sheets**

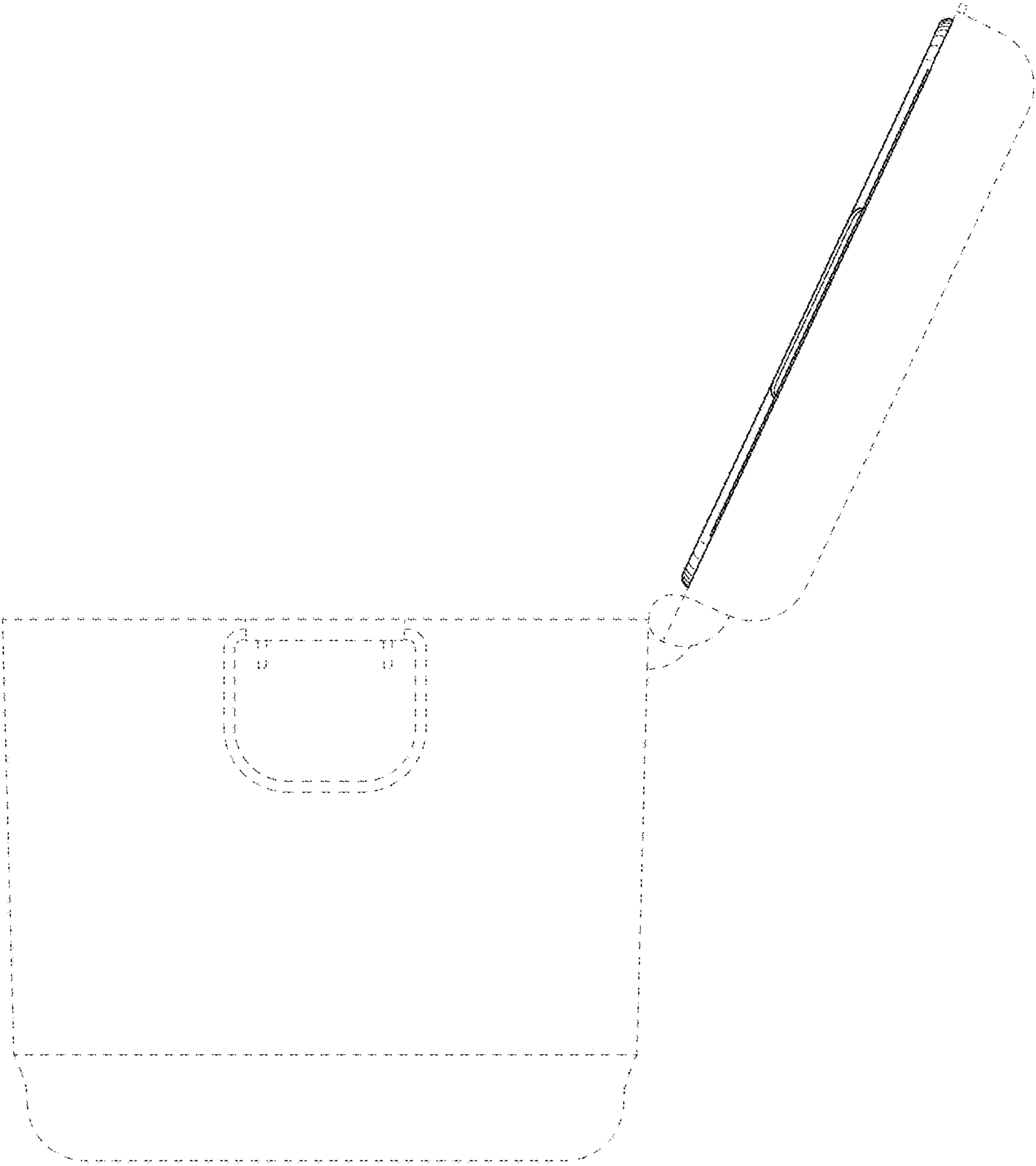




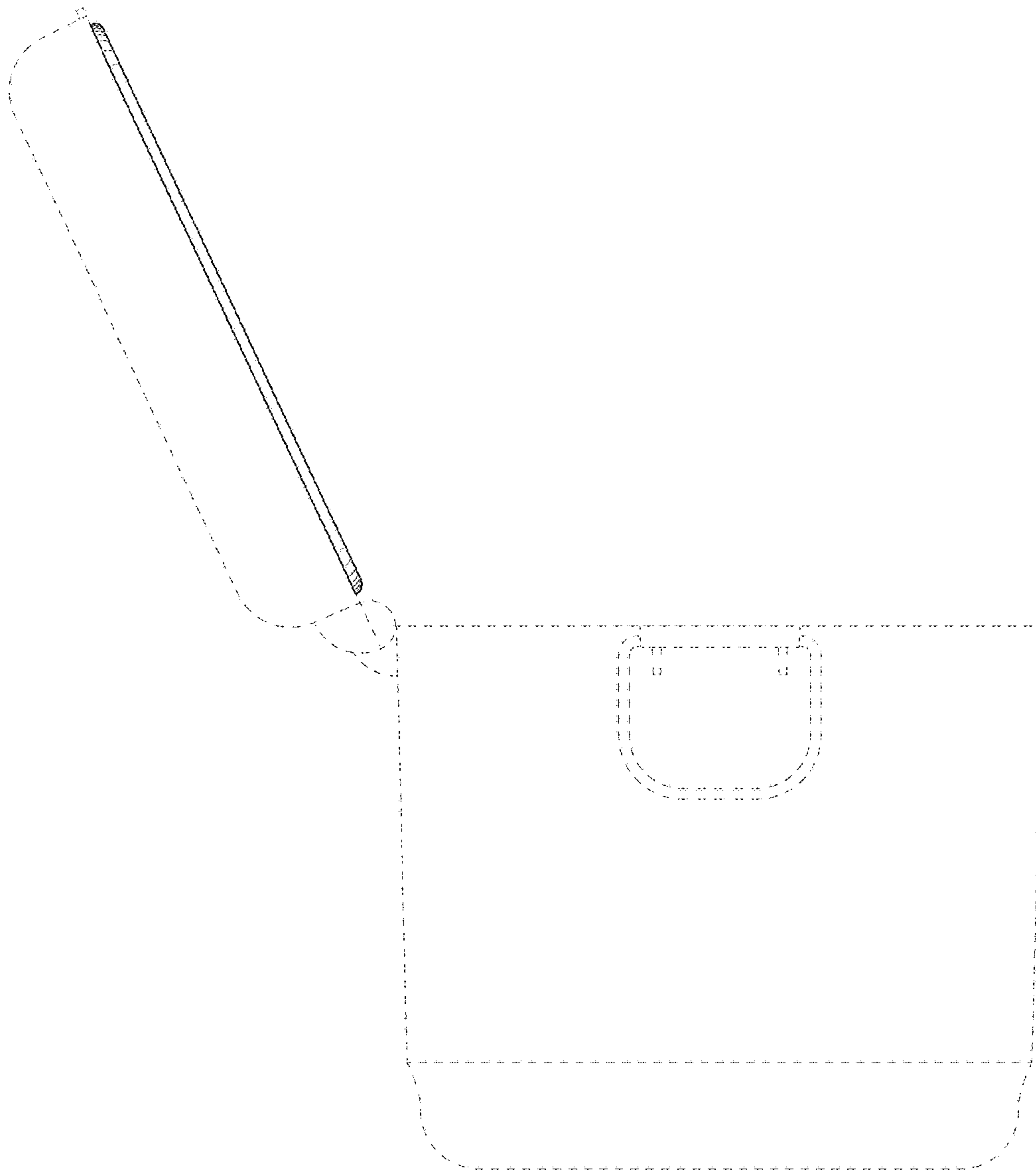
**FIG. 1**



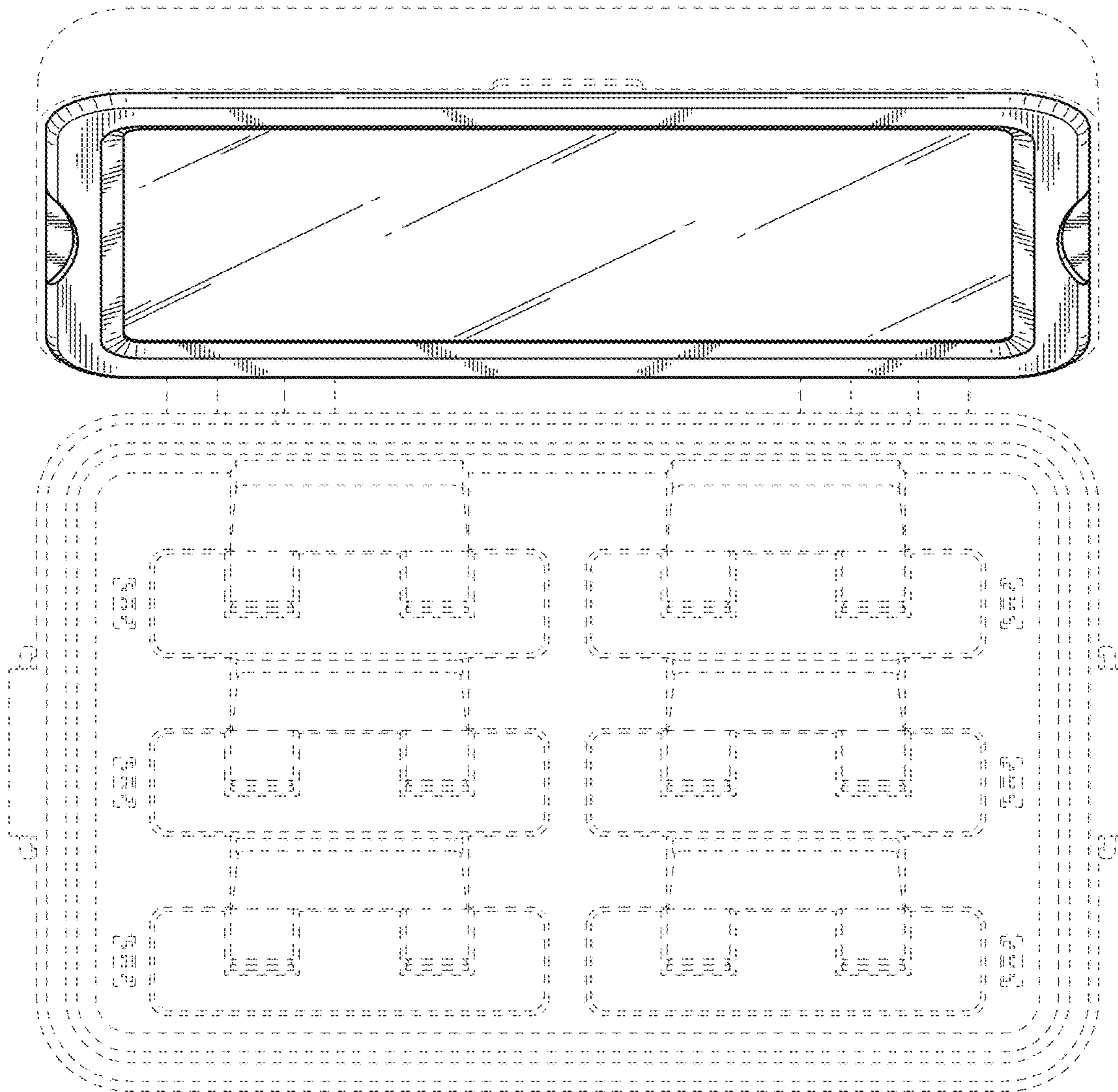
**FIG. 2**



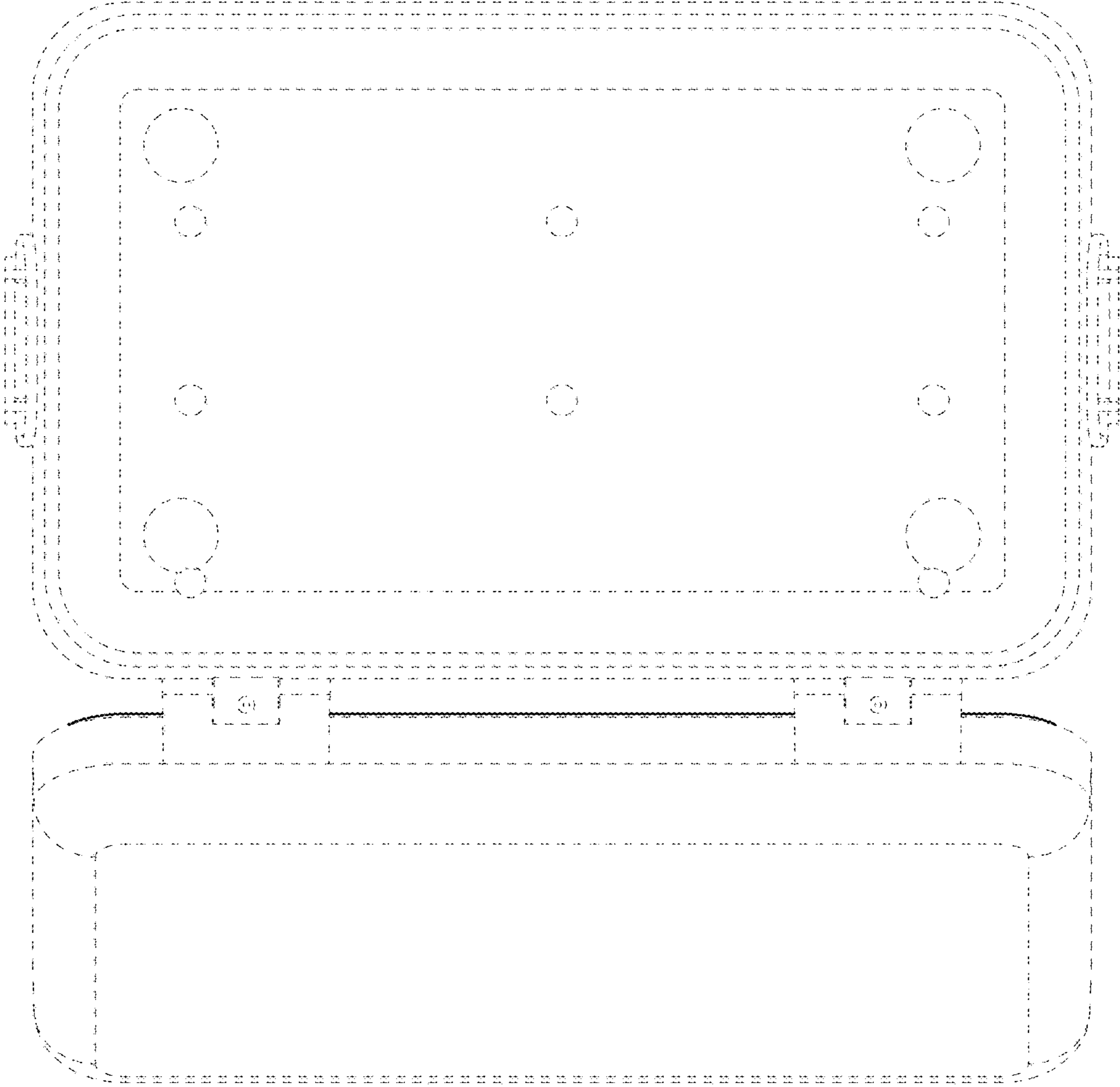
**FIG. 3**



**FIG. 4**



**FIG. 5**



**FIG. 6**