



US00D796910S

(12) **United States Design Patent**  
**Ritch**

(10) **Patent No.:** **US D796,910 S**

(45) **Date of Patent:** **\*\* Sep. 12, 2017**

(54) **BOWL**

(71) Applicant: **JOBAR INTERNATIONAL, INC.**,  
Carson, CA (US)

(72) Inventor: **Stephen J. Ritch**, Huntington Beach,  
CA (US)

(73) Assignee: **JOBAR INTERNATIONAL, INC.**,  
Carson, CA (US)

(\*\*) Term: **15 Years**

(21) Appl. No.: **29/551,156**

(22) Filed: **Jan. 11, 2016**

(51) **LOC (10) Cl.** ..... **07-01**

(52) **U.S. Cl.**  
USPC ..... **D7/584**

(58) **Field of Classification Search**  
USPC ..... D7/584, 500, 570, 566, 565, 557, 552.2,  
D7/503, 538, 543, 553.6; D3/306;  
217/122; 147/18; 220/23.83, 574.1, 574  
CPC ..... A47G 19/02; A47G 19/025  
See application file for complete search history.

(56) **References Cited**

**U.S. PATENT DOCUMENTS**

D542,098 S \* 5/2007 Wasserman ..... D7/584  
D652,661 S \* 1/2012 Lipfert ..... D6/556  
8,146,766 B2 \* 4/2012 Vovan ..... B65D 43/021  
220/212

D667,151 S \* 9/2012 Arslanian ..... D26/9  
D670,136 S \* 11/2012 Williams ..... D7/584  
8,365,912 B2 \* 2/2013 Carroscia ..... B65D 85/04  
206/389  
D722,526 S \* 2/2015 Forester ..... D11/155  
8,997,992 B2 \* 4/2015 Van Puijenbroek ..... B65D 1/22  
206/223  
D733,279 S \* 6/2015 Furner ..... D23/366  
D749,910 S \* 2/2016 Klag ..... D7/560  
2010/0221144 A1 \* 9/2010 Bedson ..... A61L 9/12  
422/4  
2011/0203175 A1 \* 8/2011 Horito ..... A01C 5/02  
47/65.6

\* cited by examiner

*Primary Examiner* — Cynthia Underwood

(74) *Attorney, Agent, or Firm* — Lewis Roca Rothgerber  
Christie LLP

(57) **CLAIM**

The ornamental design for a bowl, as shown and described.

**DESCRIPTION**

FIG. 1 is a perspective view of a bowl design;  
FIG. 2 is a front view thereof;  
FIG. 3 is a left side view thereof;  
FIG. 4 is a rear view thereof;  
FIG. 5 is a right side view thereof;  
FIG. 6 is a top view thereof; and,  
FIG. 7 is a bottom view thereof.

The broken lines shown represent unclaimed subject matter  
and form no part of the claimed design.

**1 Claim, 7 Drawing Sheets**

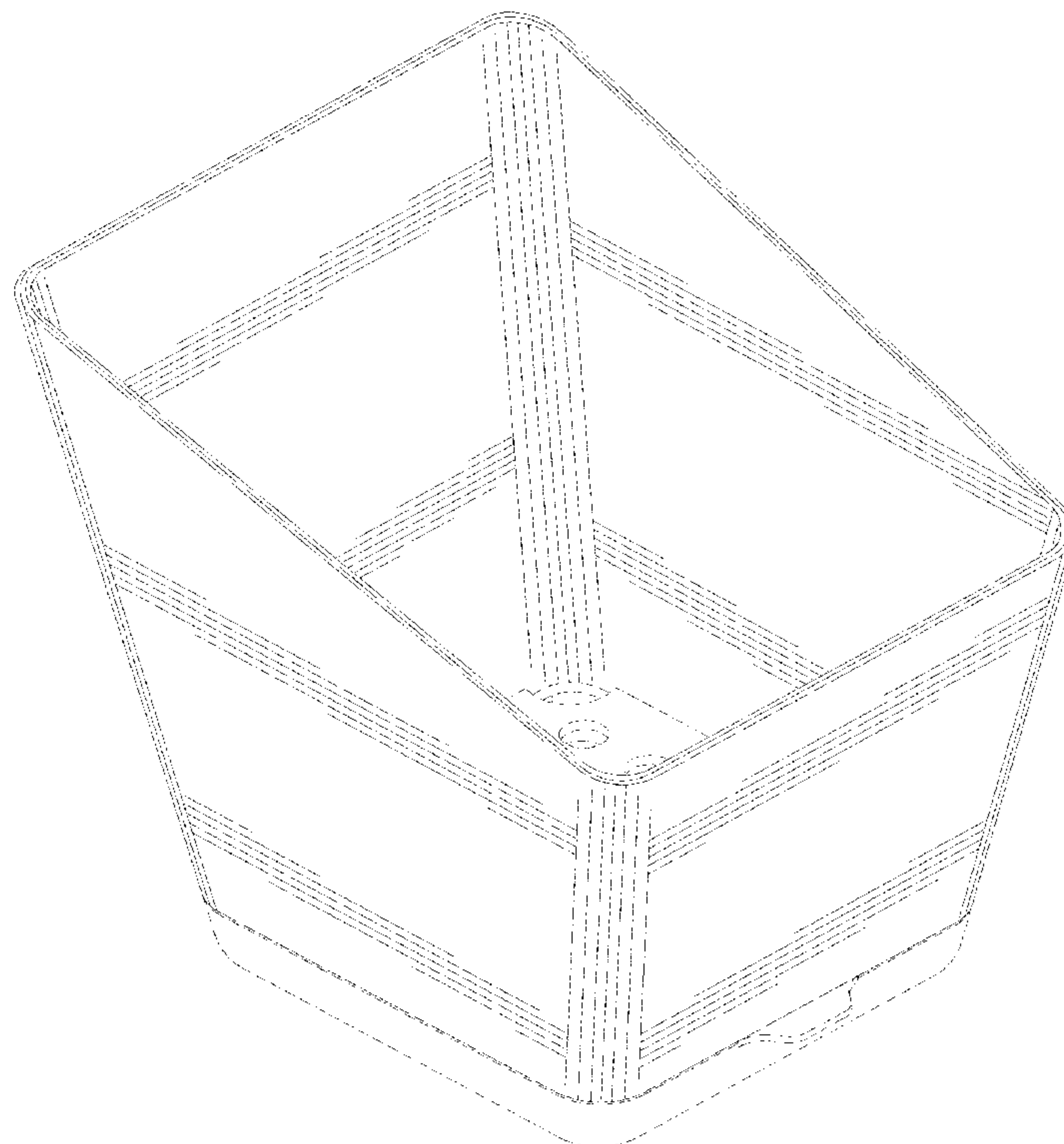


FIG. 1

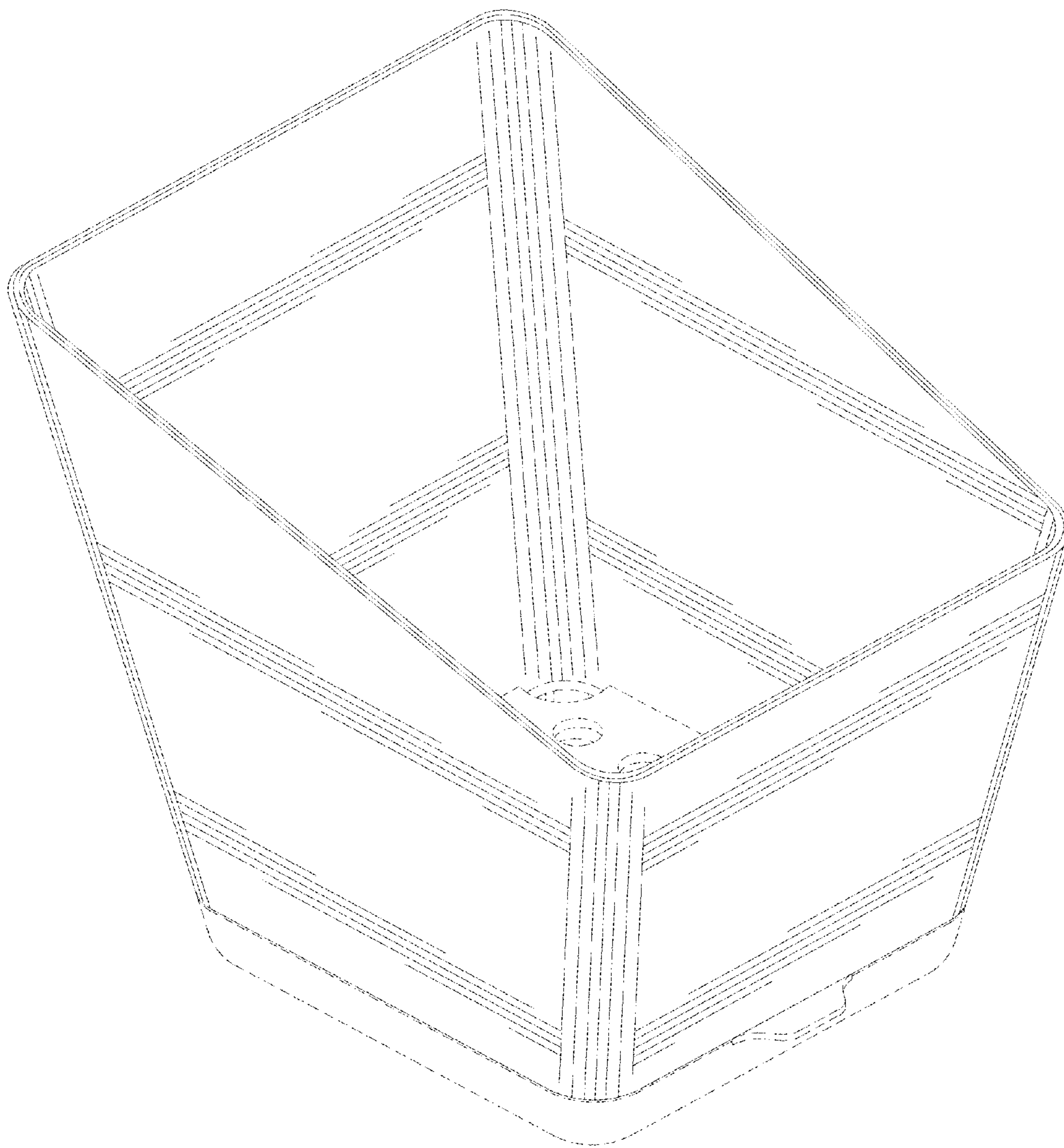


FIG. 2

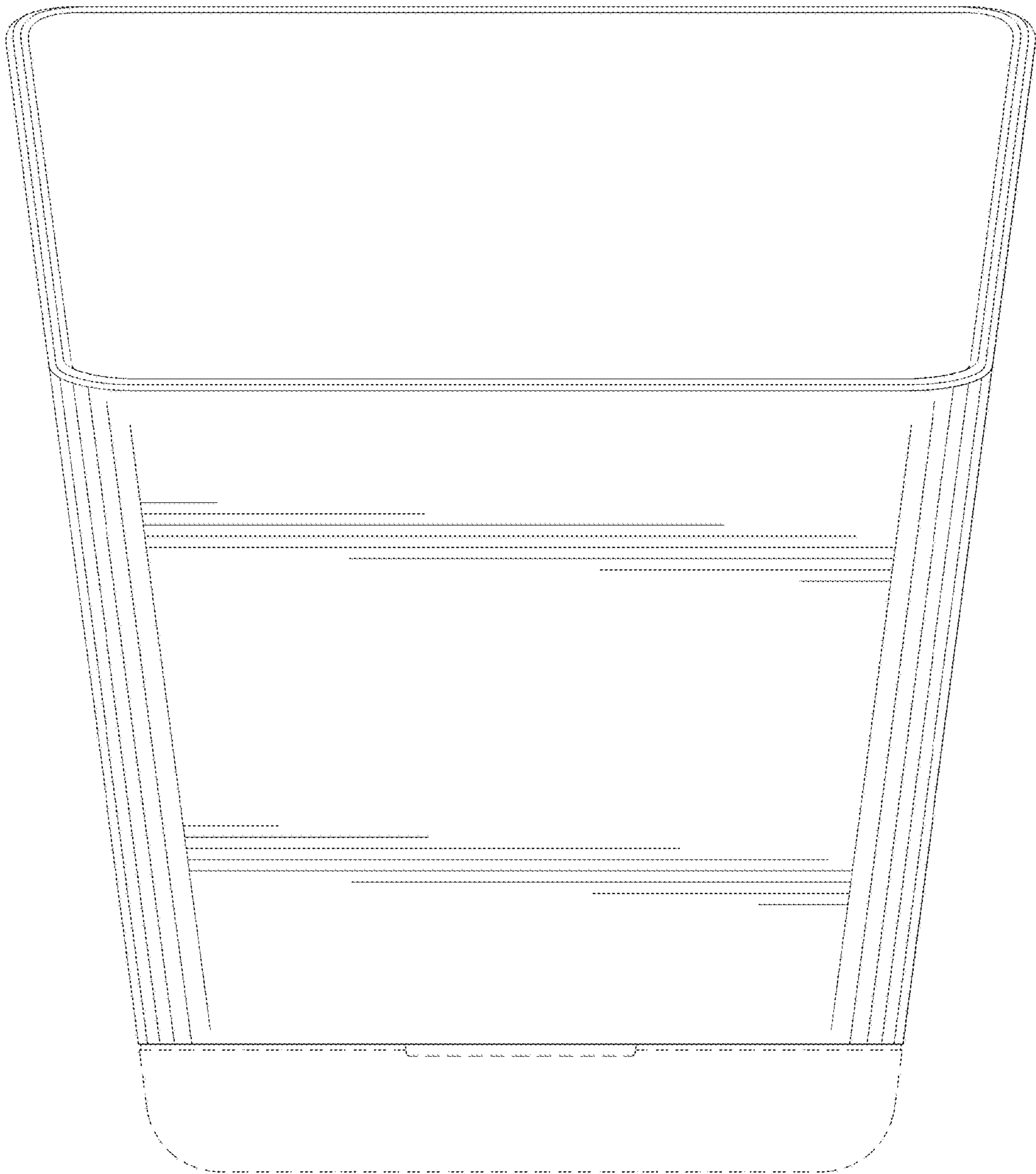


FIG. 3

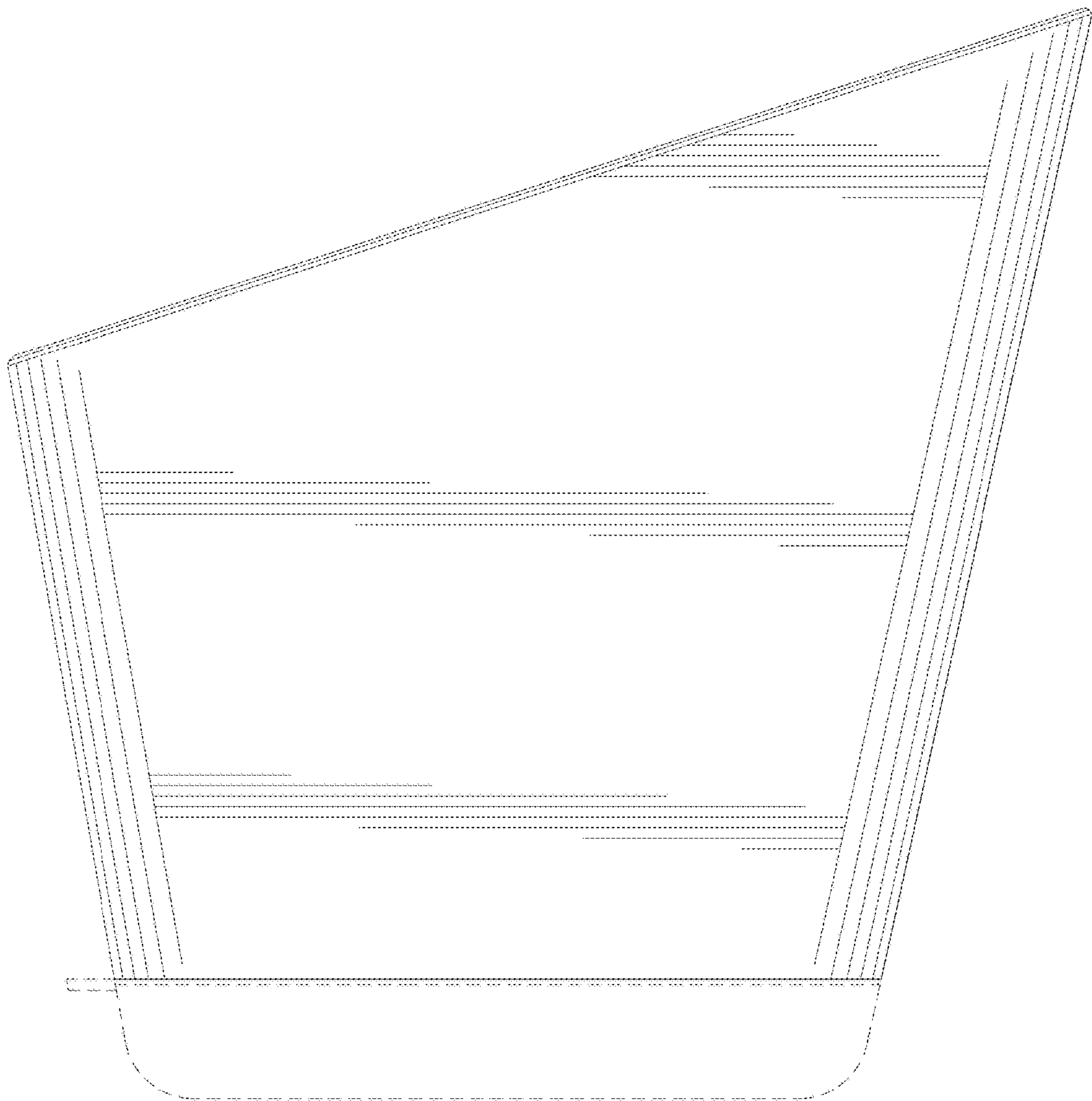


FIG. 4

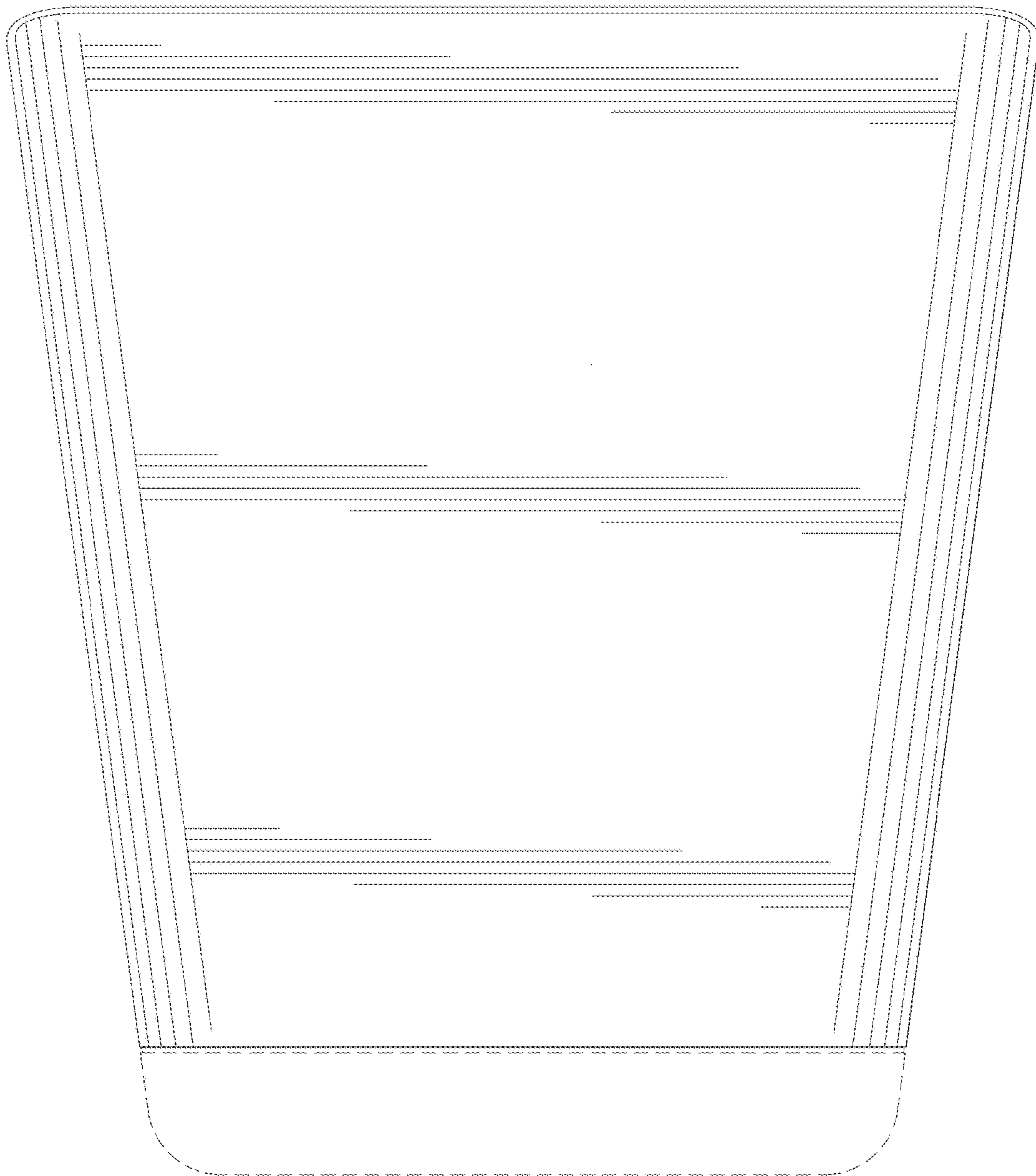




FIG. 5

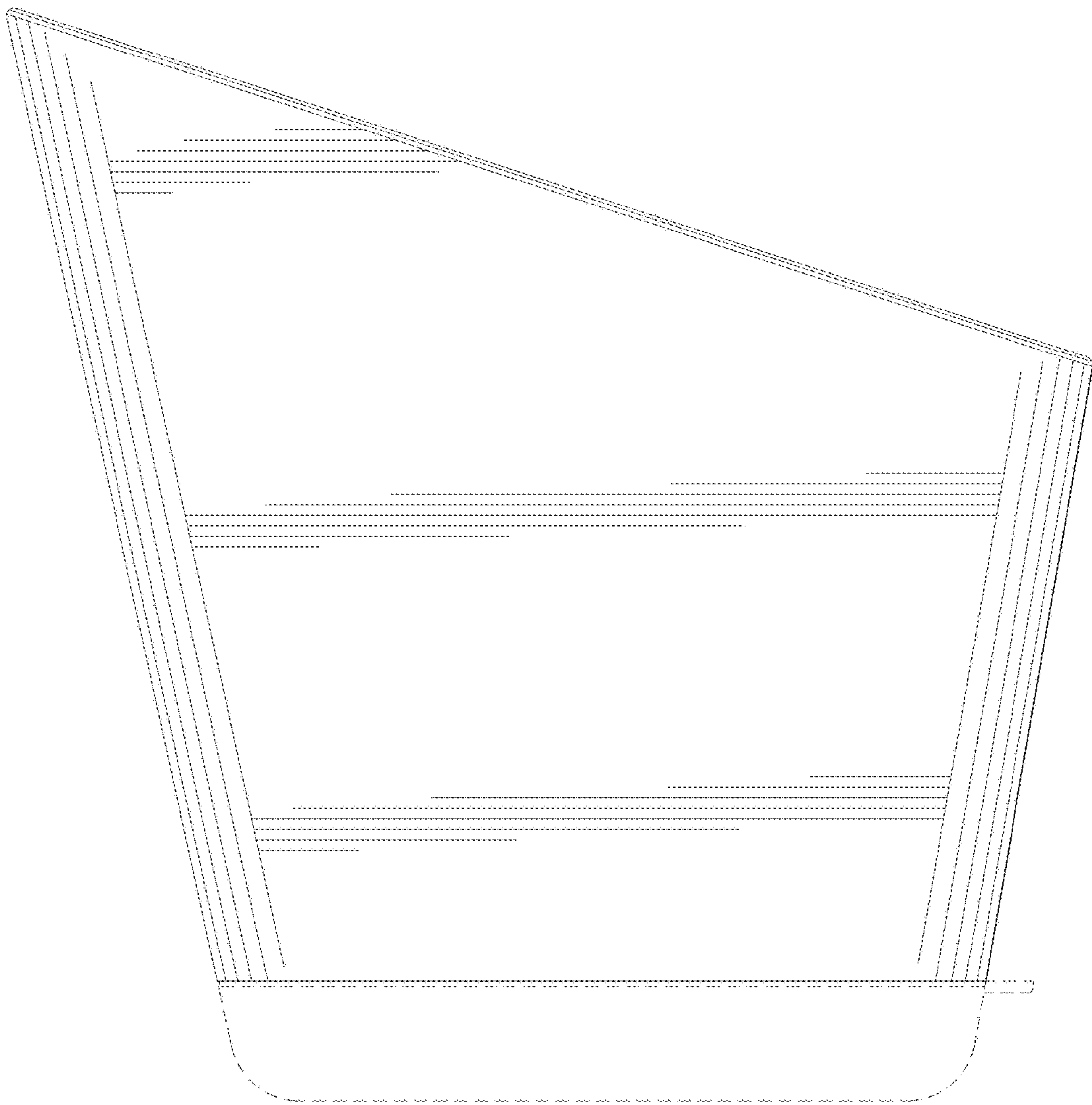


FIG. 6

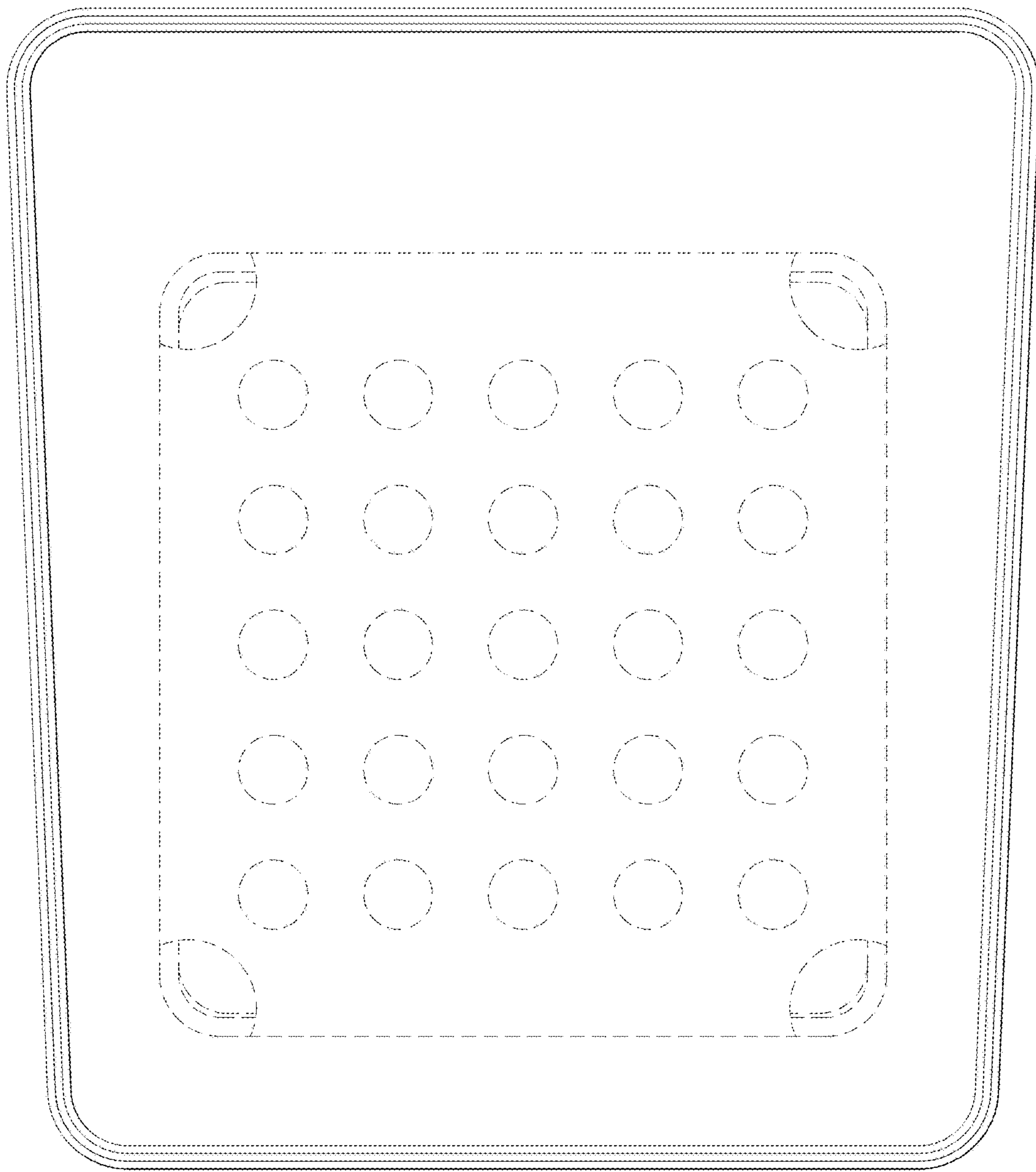


FIG. 7

