



US00D796908S

(12) **United States Design Patent**
Dennis

(10) **Patent No.:** **US D796,908 S**

(45) **Date of Patent:** **** Sep. 12, 2017**

(54) **REVERSIBLE TRAY**

(71) Applicant: **Gilbert Dennis**, Mansfield, TX (US)

(72) Inventor: **Gilbert Dennis**, Mansfield, TX (US)

(73) Assignee: **Gilbert Dennis**, Mansfield, TX (US)

(**) Term: **15 Years**

(21) Appl. No.: **29/558,338**

(22) Filed: **Mar. 16, 2016**

(51) **LOC (10) Cl.** **07-01**

(52) **U.S. Cl.**
USPC **D7/553.2**

(58) **Field of Classification Search**
USPC D7/500, 505, 586-587, 545-546, 548,
D7/550.1, 553.1, 553.2, 601-602;
D3/304, 307, 314, 414
CPC B65D 1/34; B65D 21/00; B65D 21/0209;
B65D 1/00
See application file for complete search history.

(56) **References Cited**

U.S. PATENT DOCUMENTS

D233,486 S * 10/1974 Gonzalez D19/77
3,850,333 A * 11/1974 Reichert B65D 1/36
206/545

D273,928 S * 5/1984 Tarozzi D7/553.3
D323,616 S * 2/1992 Mueller D7/703
5,732,849 A * 3/1998 Brooks A47G 23/0608
220/17.1
D440,118 S * 4/2001 Claffy D7/553.1
D691,855 S * 10/2013 Dabney-Wiggs D7/553.2
D691,856 S * 10/2013 Dabney-Wiggs D7/553.2
D732,897 S * 6/2015 Clark D7/553.2
D746,637 S * 1/2016 Mairinger D7/553.2

* cited by examiner

Primary Examiner — Kelley Donnelly

(74) *Attorney, Agent, or Firm* — Sinorica, LLC

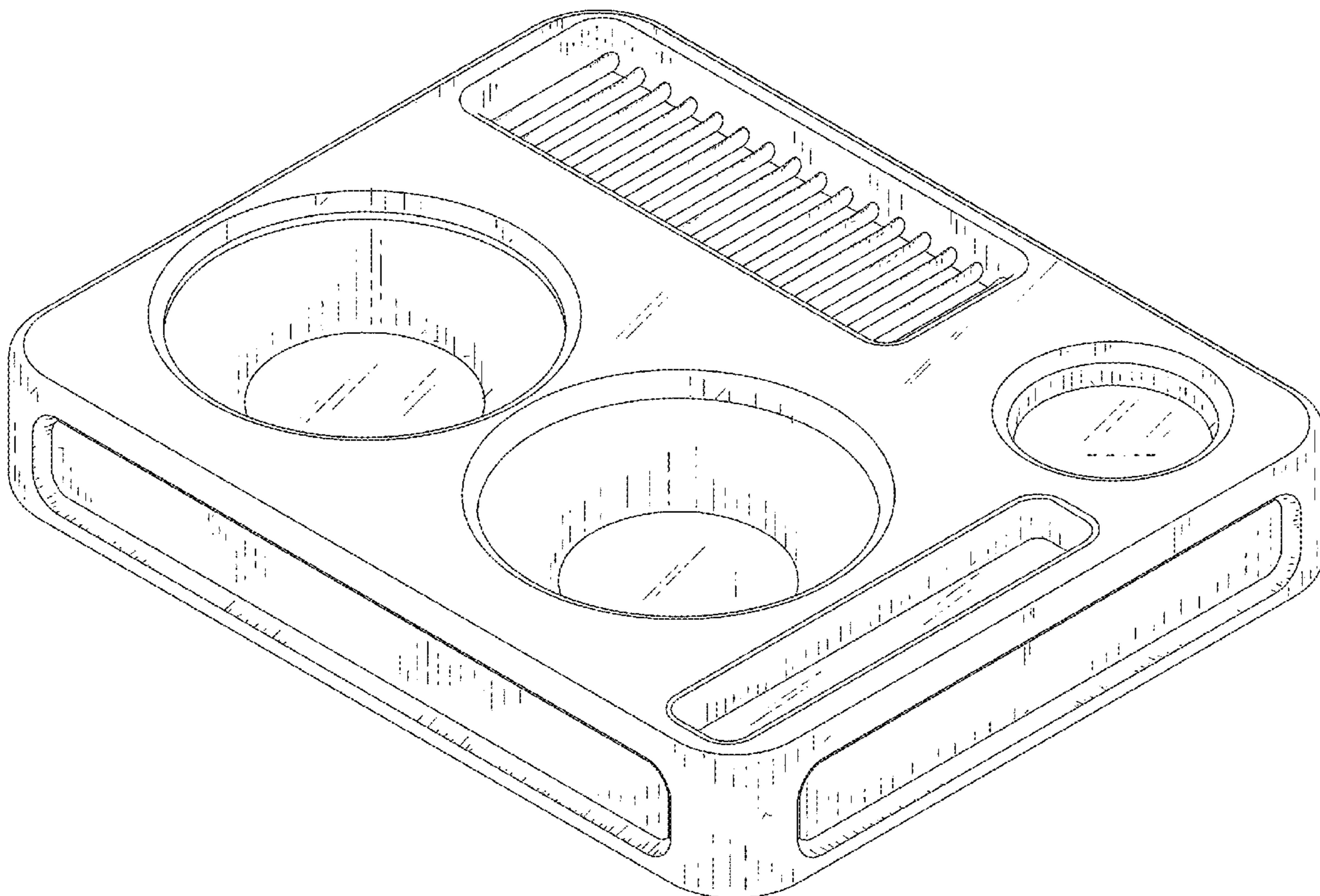
(57) **CLAIM**

The ornamental design for a reversible tray, as shown and described.

DESCRIPTION

FIG. 1 is a perspective view of a reversible tray showing my new design;
FIG. 2 is a bottom perspective view thereof;
FIG. 3 is a front elevational view thereof;
FIG. 4 is a rear elevational view thereof;
FIG. 5 is a left side elevational view thereof;
FIG. 6 is a right side elevational view thereof;
FIG. 7 is a bottom plan view thereof; and,
FIG. 8 is a top plan view thereof.

1 Claim, 8 Drawing Sheets



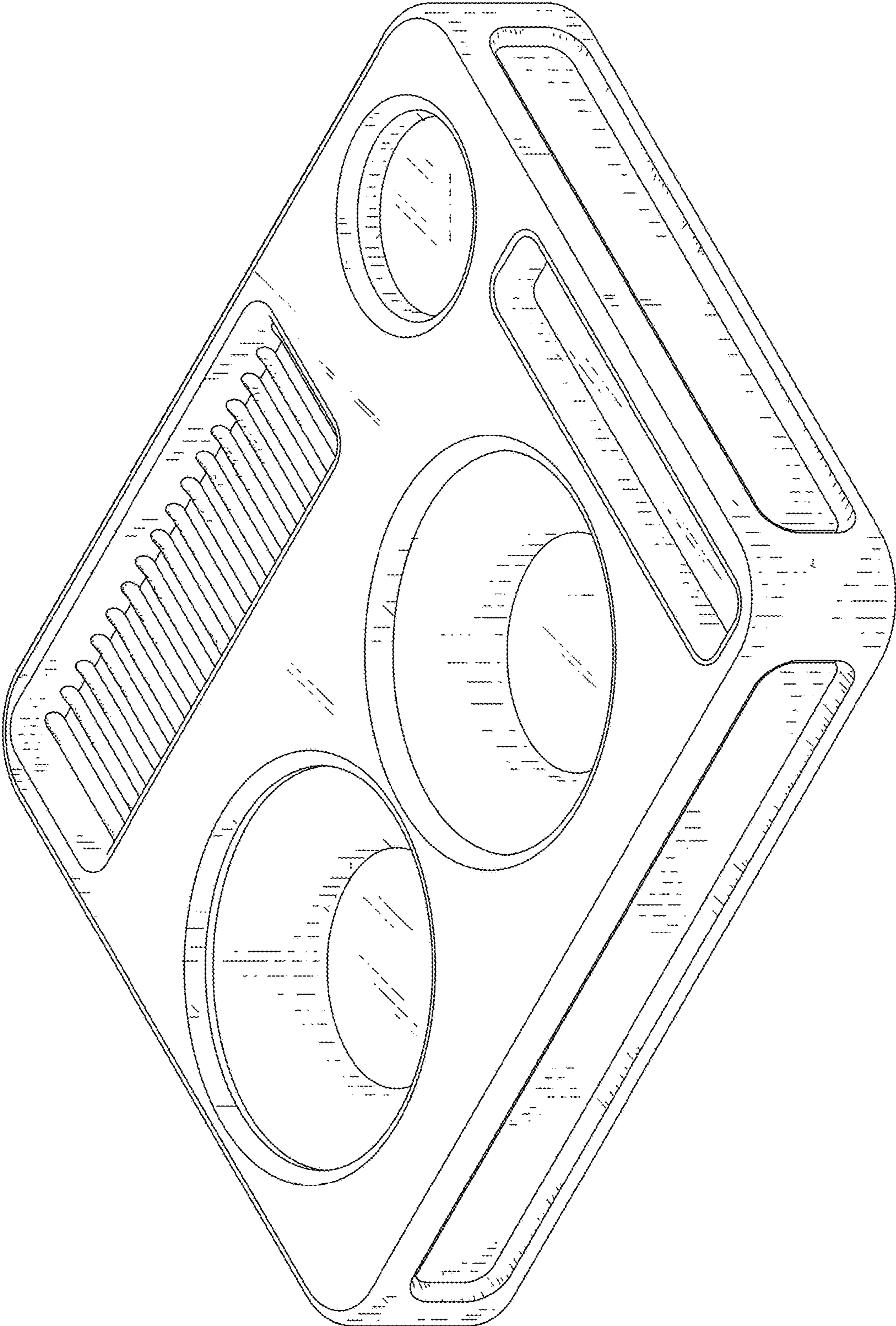


FIG. 1

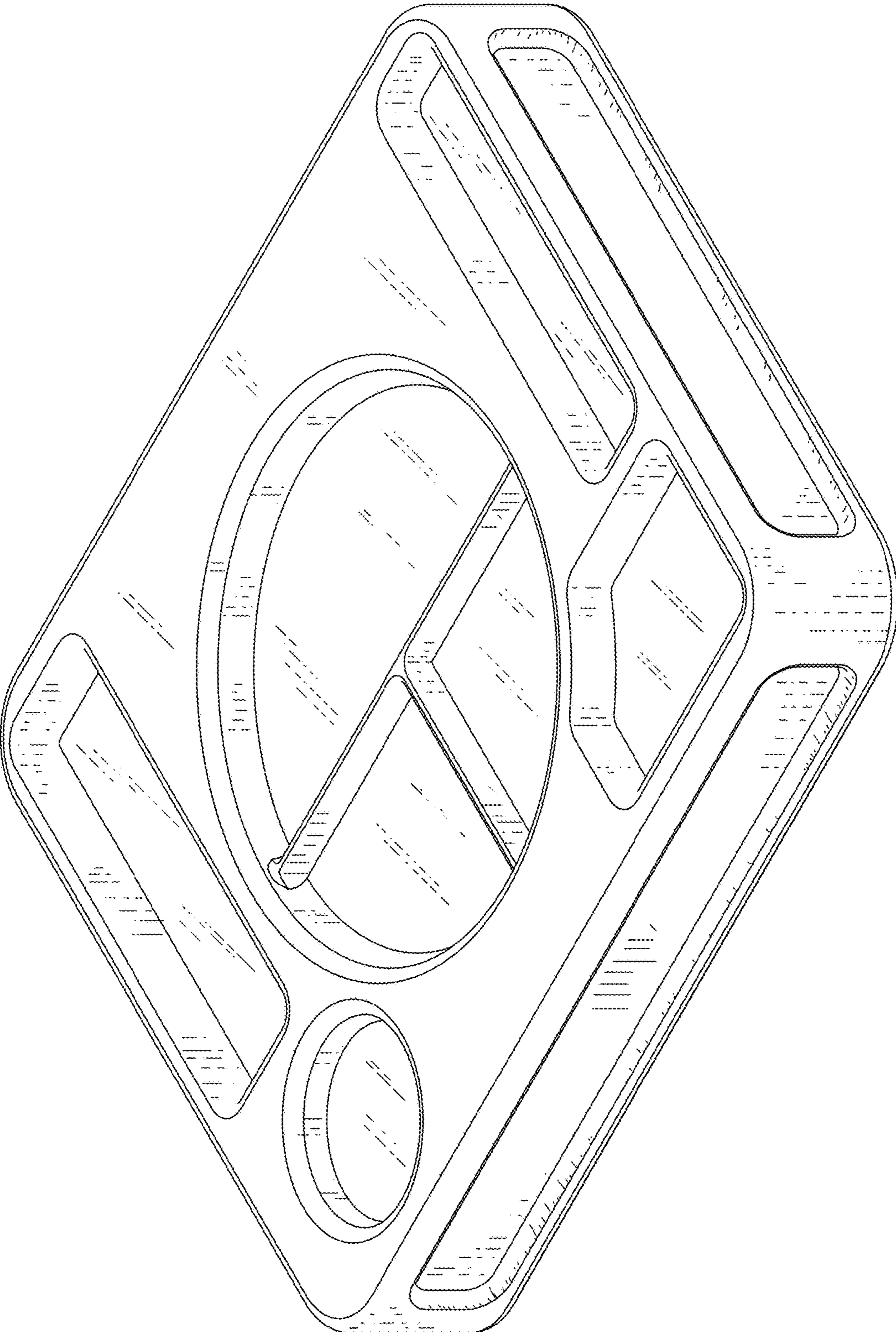


FIG. 2

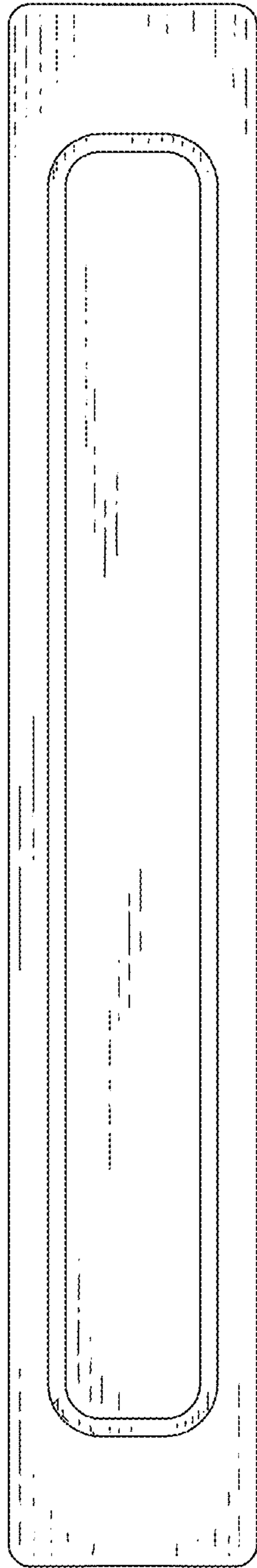


FIG. 3

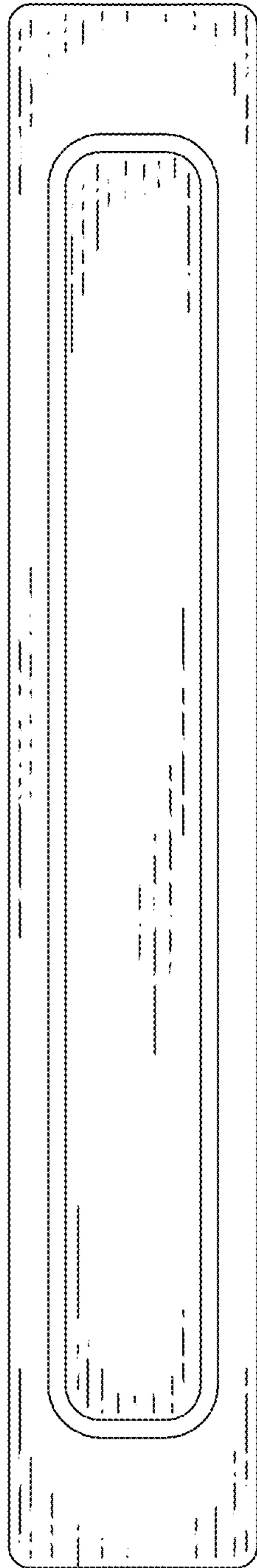


FIG. 4

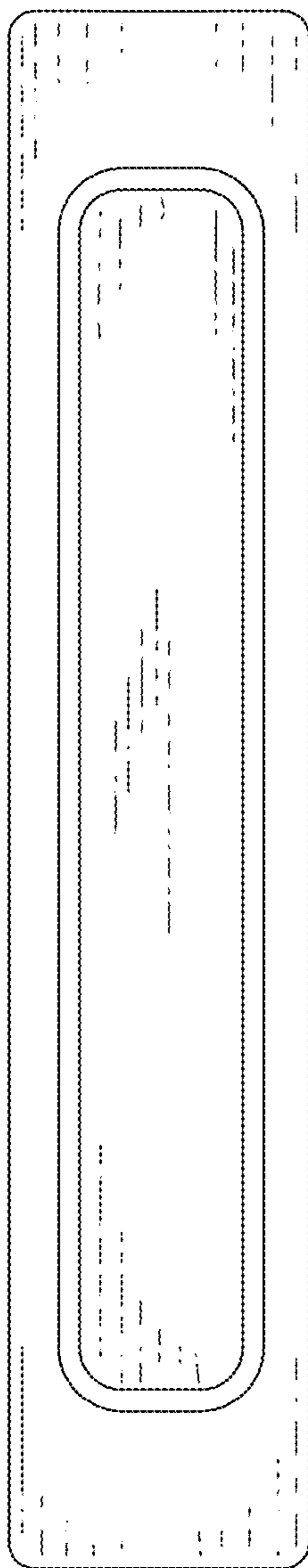


FIG. 5

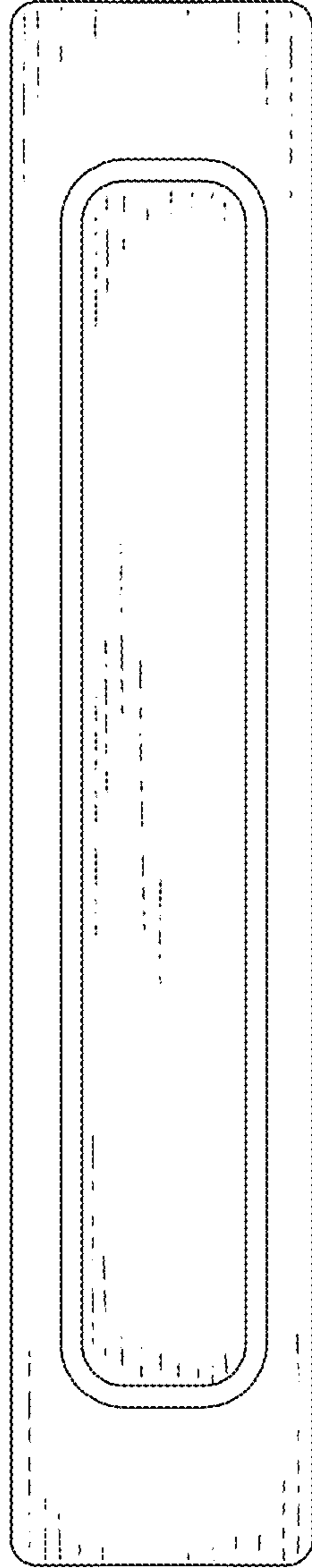


FIG. 6

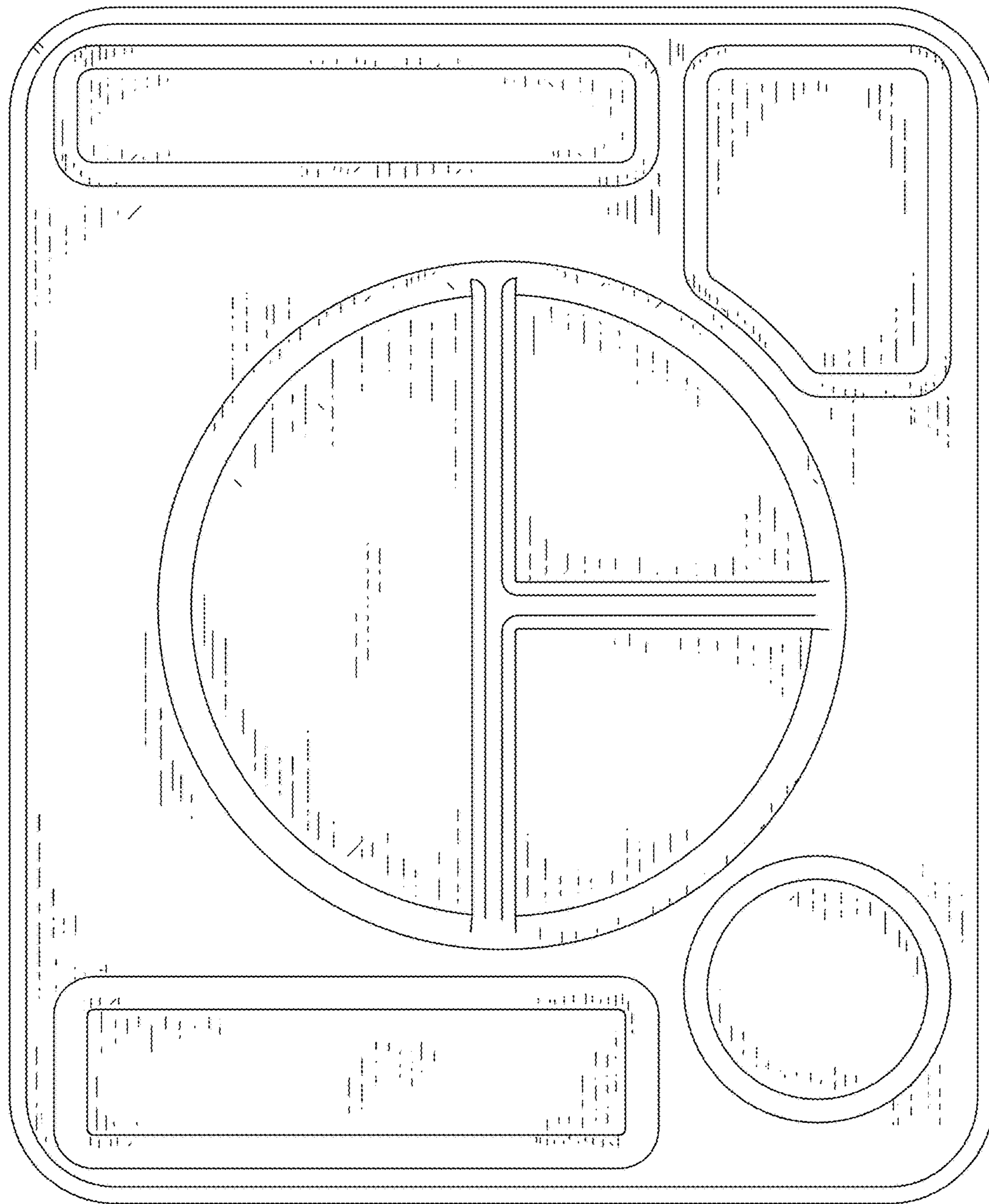


FIG. 7

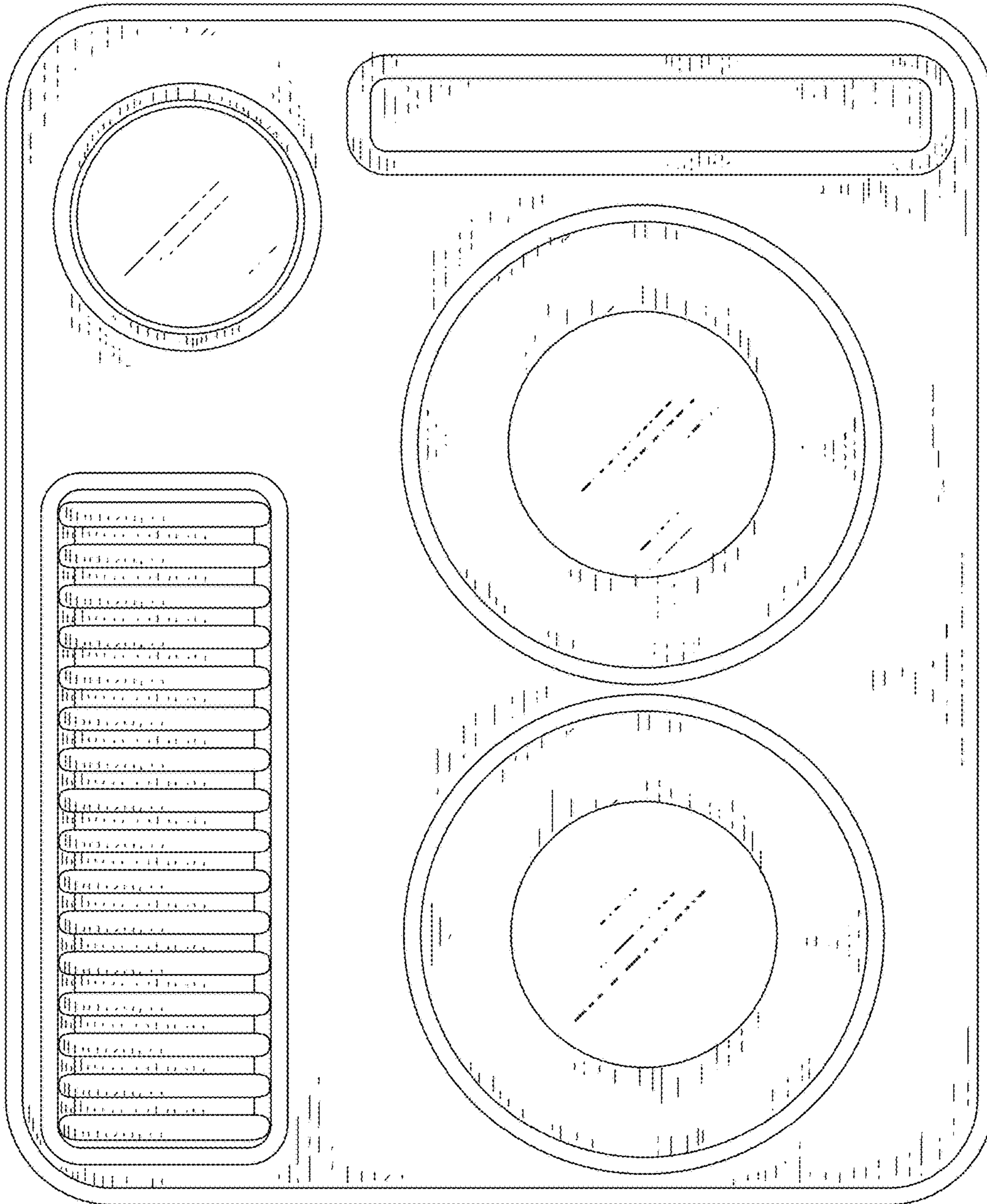


FIG. 8