



US00D796907S

(12) **United States Design Patent**
Bronwasser

(10) **Patent No.:** **US D796,907 S**

(45) **Date of Patent:** **** Sep. 12, 2017**

(54) **CUP**

(71) Applicant: **Conopco, Inc.**, Englewood Cliffs, NJ (US)

(72) Inventor: **Robert Wim Bronwasser**, Amsterdam (NL)

(73) Assignee: **CONOPCO, INC.**, Englewood Cliffs, NJ (US)

(**) Term: **15 Years**

(21) Appl. No.: **29/576,857**

(22) Filed: **Sep. 7, 2016**

Related U.S. Application Data

(62) Division of application No. 29/523,252, filed on Apr. 8, 2015, now Pat. No. Des. 773,321.

(30) **Foreign Application Priority Data**

Oct. 10, 2014 (EM) 002554758-0001
Oct. 10, 2014 (EM) 002554758-0003
Oct. 10, 2014 (EM) 002554758-0008

(51) **LOC (10) Cl.** **07-01**

(52) **U.S. Cl.**
USPC **D7/536; D7/533**

(58) **Field of Classification Search**
USPC D7/507, 509, 510, 511, 523, 529, 530, D7/531, 532, 533, 534, 535, 536, 608, D7/392.1, 396.2, 396.4, 387, 394, 515; D9/434, 450; D10/46.2; D24/197, 199; 220/592.16, 592.17
CPC A47G 19/22; A47G 19/2205; A47G 19/2227; A47G 19/2266; A47F 3/16; B65D 47/066

See application file for complete search history.

(56) **References Cited**

U.S. PATENT DOCUMENTS

D78,171 S * 4/1929 Stern D7/536
1,948,932 A * 2/1934 McMickle A47G 19/22
126/380.1
D103,168 S * 2/1937 Swainson D7/536
D141,516 S * 6/1945 Fordyce D7/533
D166,014 S * 2/1952 Wright D7/536
2,613,517 A * 10/1952 Frantz A47G 19/22
220/23.2
2,747,387 A * 5/1956 Sweem A47G 19/2205
215/382
2,770,956 A * 11/1956 Achtziger A47G 19/23
215/10
D192,174 S * 2/1962 Bertrand D7/536
D202,643 S * 10/1965 Smith D7/536
3,379,331 A * 4/1968 Kamlet A47G 19/22
206/0.5
D212,546 S * 10/1968 Warren D7/515
3,549,044 A * 12/1970 Lerner A47G 19/2211
220/719
D247,277 S * 2/1978 Refsgaard D7/536

(Continued)

Primary Examiner — Marianne Pandozzi

Assistant Examiner — Jae Liang

(74) *Attorney, Agent, or Firm* — Foley & Lardner LLP

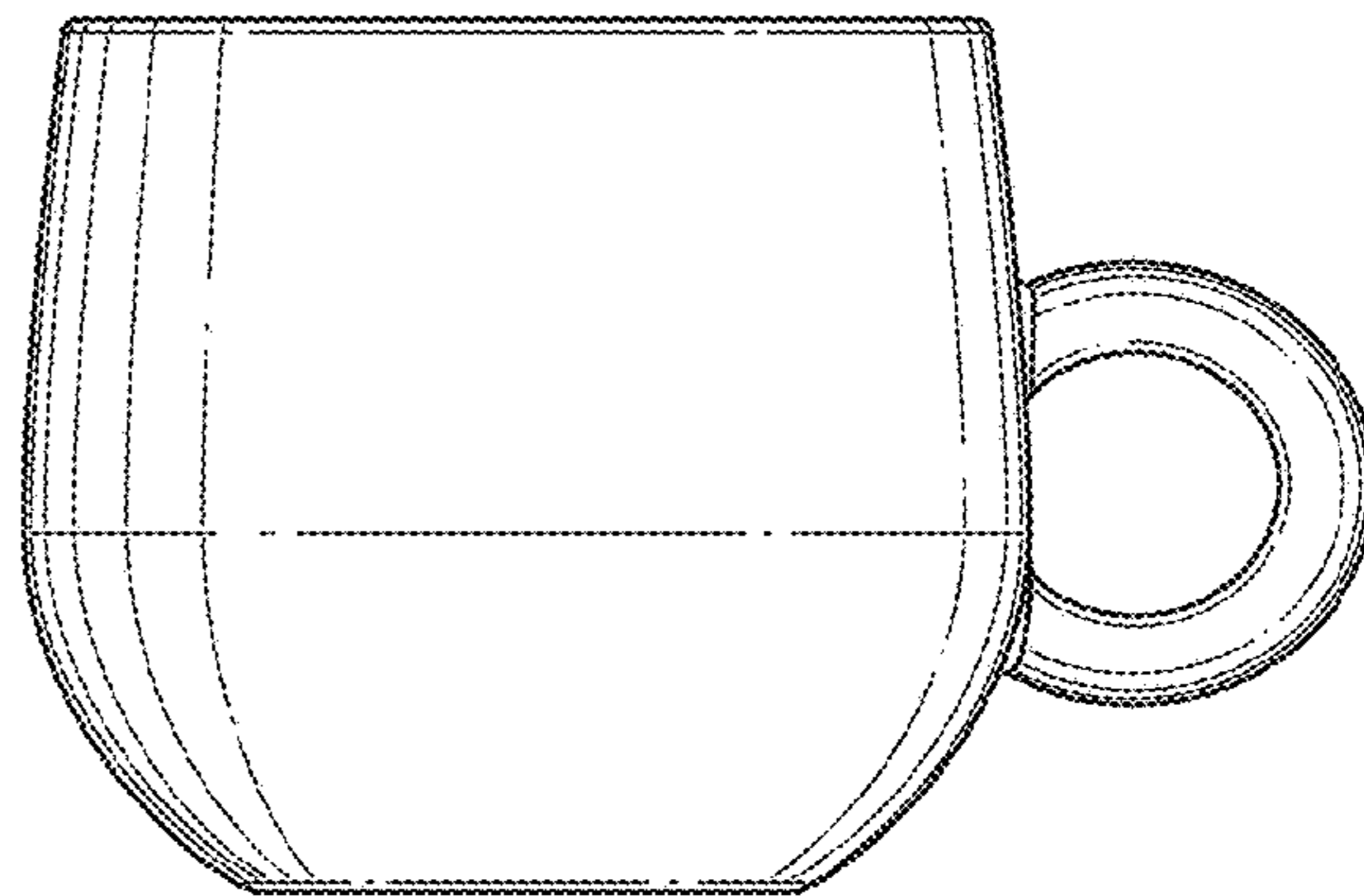
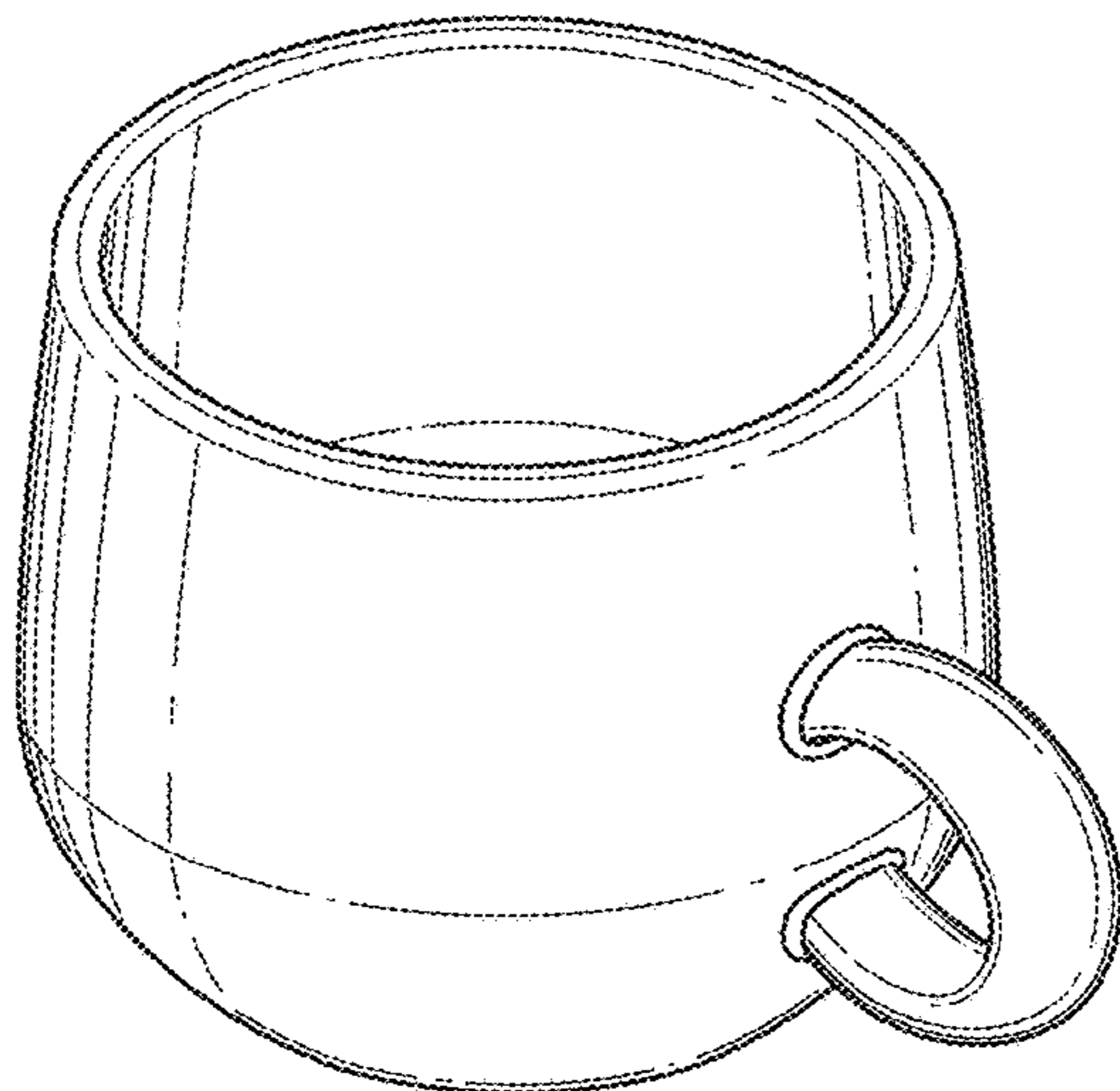
(57) **CLAIM**

I claim the ornamental design for a cup, as shown and described.

DESCRIPTION

FIG. 1 is a front perspective view of a cup showing my new design;
FIG. 2 is a front view thereof;
FIG. 3 is a rear view thereof;
FIG. 4 is a left side elevational view thereof;
FIG. 5 is a right side elevational view thereof;
FIG. 6 is a top view thereof; and,
FIG. 7 is a bottom view thereof.

1 Claim, 4 Drawing Sheets



(56)

References Cited

U.S. PATENT DOCUMENTS

4,096,966 A * 6/1978 Korshak A47G 19/2261
 220/603
 4,388,996 A * 6/1983 Panicci A47G 19/2261
 215/373
 D276,488 S * 11/1984 Durand D7/535
 D276,705 S 12/1984 Oliveri
 D277,354 S * 1/1985 Levine 215/6
 D288,270 S * 2/1987 Winterling D7/536
 4,953,737 A * 9/1990 Meyers A47G 19/2272
 215/371
 D317,696 S * 6/1991 Lage D7/536
 D318,240 S 7/1991 Pang
 D346,092 S * 4/1994 Van De Velde D7/533
 D348,588 S * 7/1994 Yasunaga D7/510
 D383,646 S * 9/1997 Jeppesen D7/543
 D406,985 S * 3/1999 Trombly D7/533
 D431,197 S 9/2000 Pau
 D447,006 S * 8/2001 Thun D7/538
 D452,409 S * 12/2001 Thun D7/316
 D460,004 S 7/2002 van Dullemen
 D465,384 S * 11/2002 Schanzer D7/507
 D472,162 S 3/2003 Dullemen
 6,640,992 B1 * 11/2003 Berger A47G 19/2261
 220/603
 D485,730 S * 1/2004 Thun D7/511
 D500,685 S 1/2005 Kaposi

D536,137 S * 1/2007 Gill D28/79
 D550,035 S * 9/2007 Tien D7/510
 D551,480 S * 9/2007 Dretzka D6/551
 D553,442 S * 10/2007 Bodum D7/509
 D561,536 S * 2/2008 Virgilio D7/509
 D567,025 S * 4/2008 Claffey D7/514
 D583,111 S * 12/2008 Molina-Justin D30/125
 D595,092 S * 6/2009 Haas D7/538
 D595,541 S * 7/2009 Haas D7/509
 D597,377 S * 8/2009 Poindexter D7/536
 D598,711 S * 8/2009 Franco D7/505
 D598,712 S * 8/2009 Alviar D7/510
 D599,169 S * 9/2009 Stalions D7/510
 D623,899 S * 9/2010 Baratte D7/523
 D660,186 S * 5/2012 Williams D10/46.2
 D668,915 S * 10/2012 Drees D7/543
 D674,203 S * 1/2013 Rosa D6/358
 D727,683 S * 4/2015 Schmidt D7/507
 D746,636 S * 1/2016 Anzalone D7/503
 D769,674 S * 10/2016 Goode D7/507
 D770,100 S * 10/2016 Burroughs D30/121
 D787,888 S * 5/2017 Joseph D7/510
 2006/0118560 A1 * 6/2006 Schur A47G 19/12
 220/508
 2007/0056964 A1 * 3/2007 Holcomb A47G 19/22
 220/4.03
 2015/0076050 A1 * 3/2015 May A47G 19/2272
 210/232

* cited by examiner

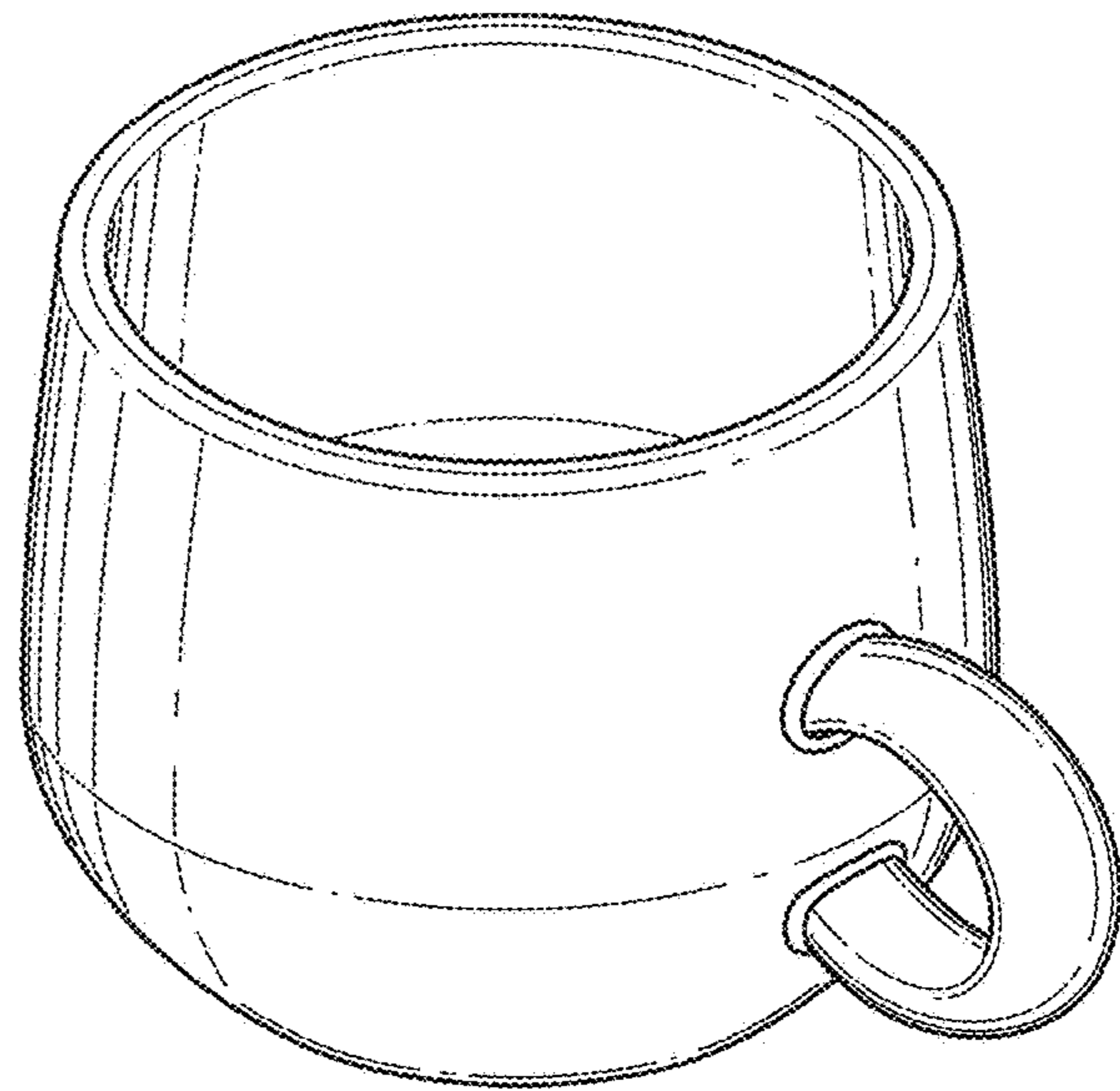


FIG. 1

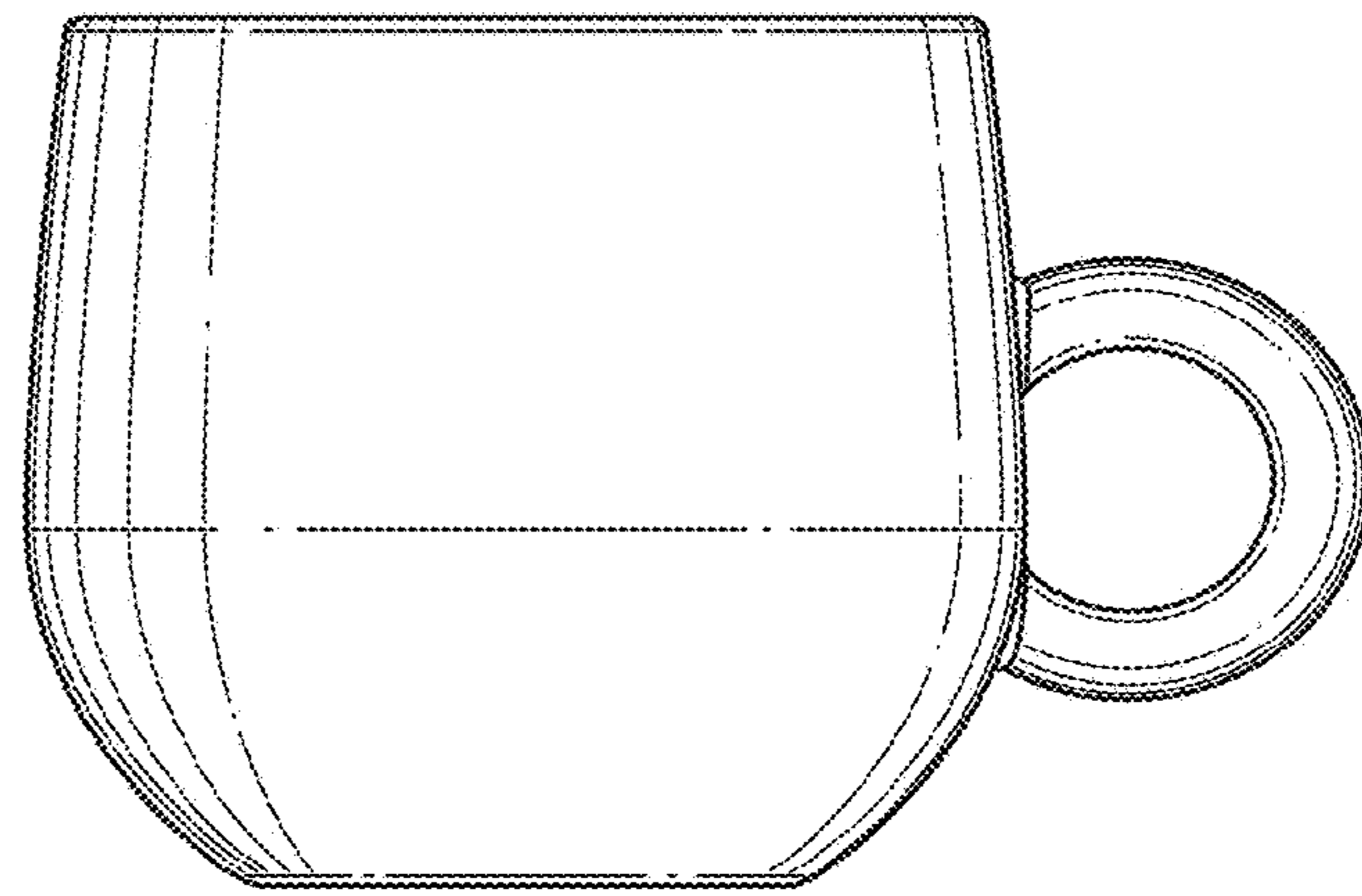


FIG. 2

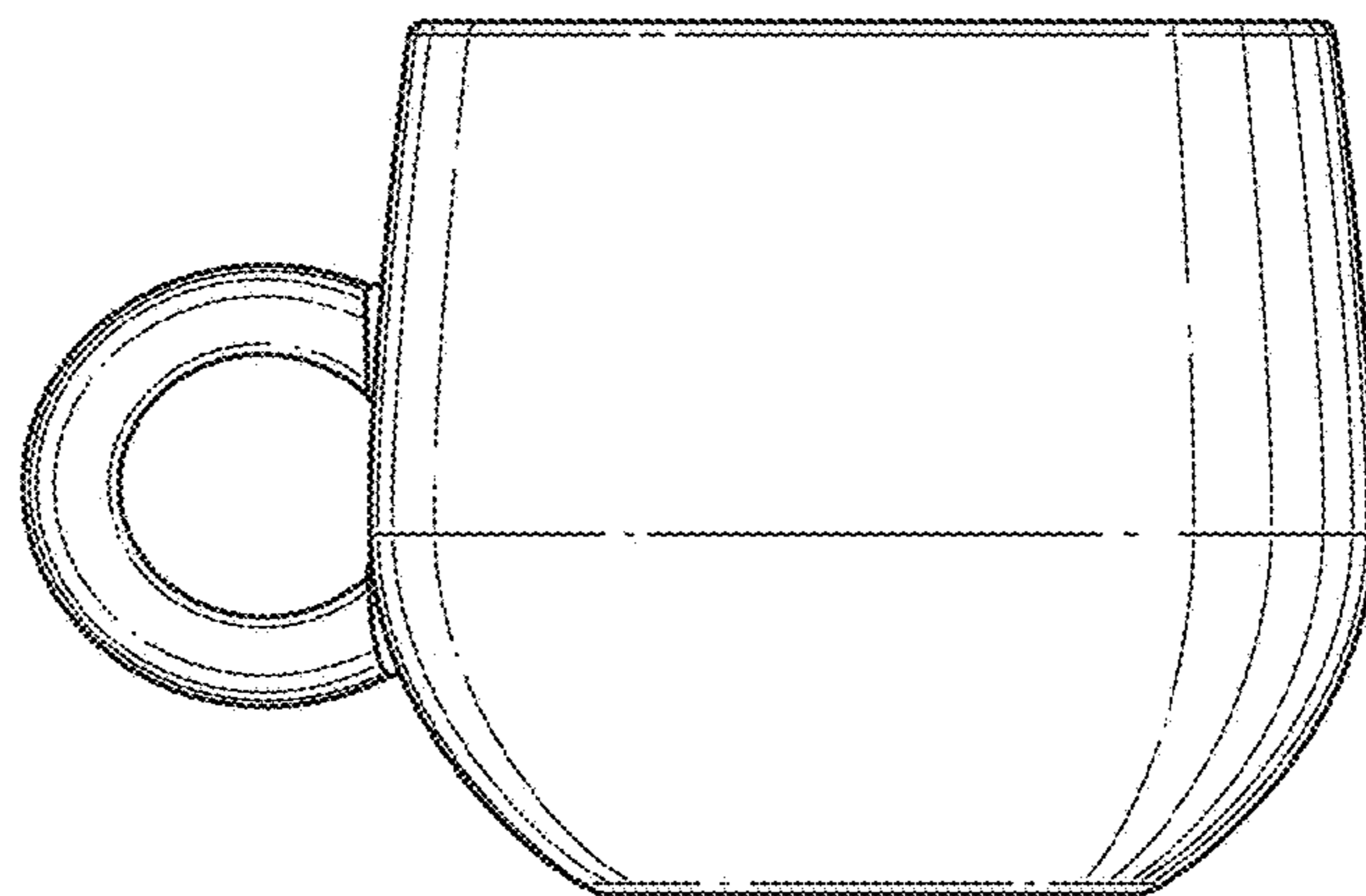


FIG. 3

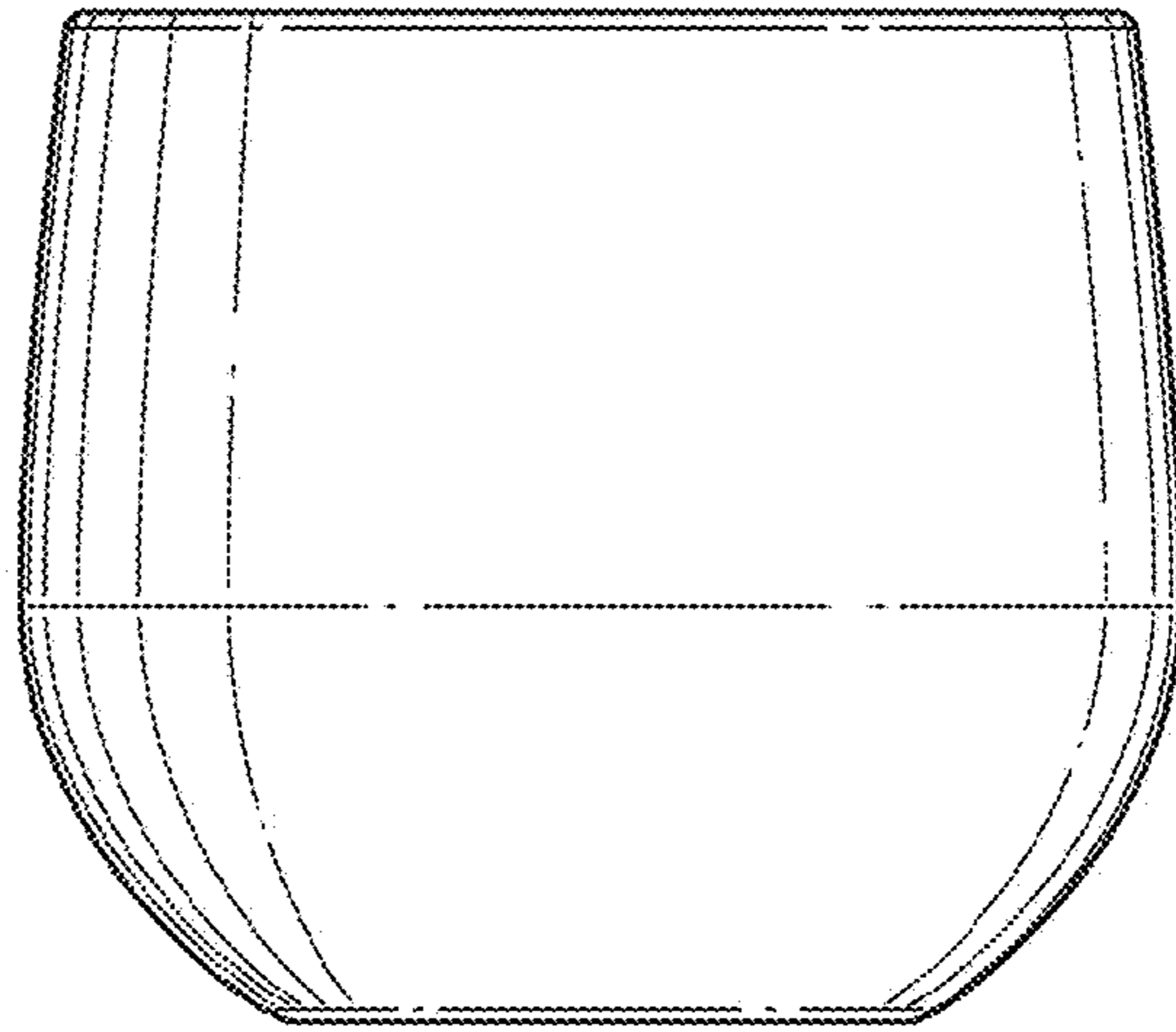


FIG. 4

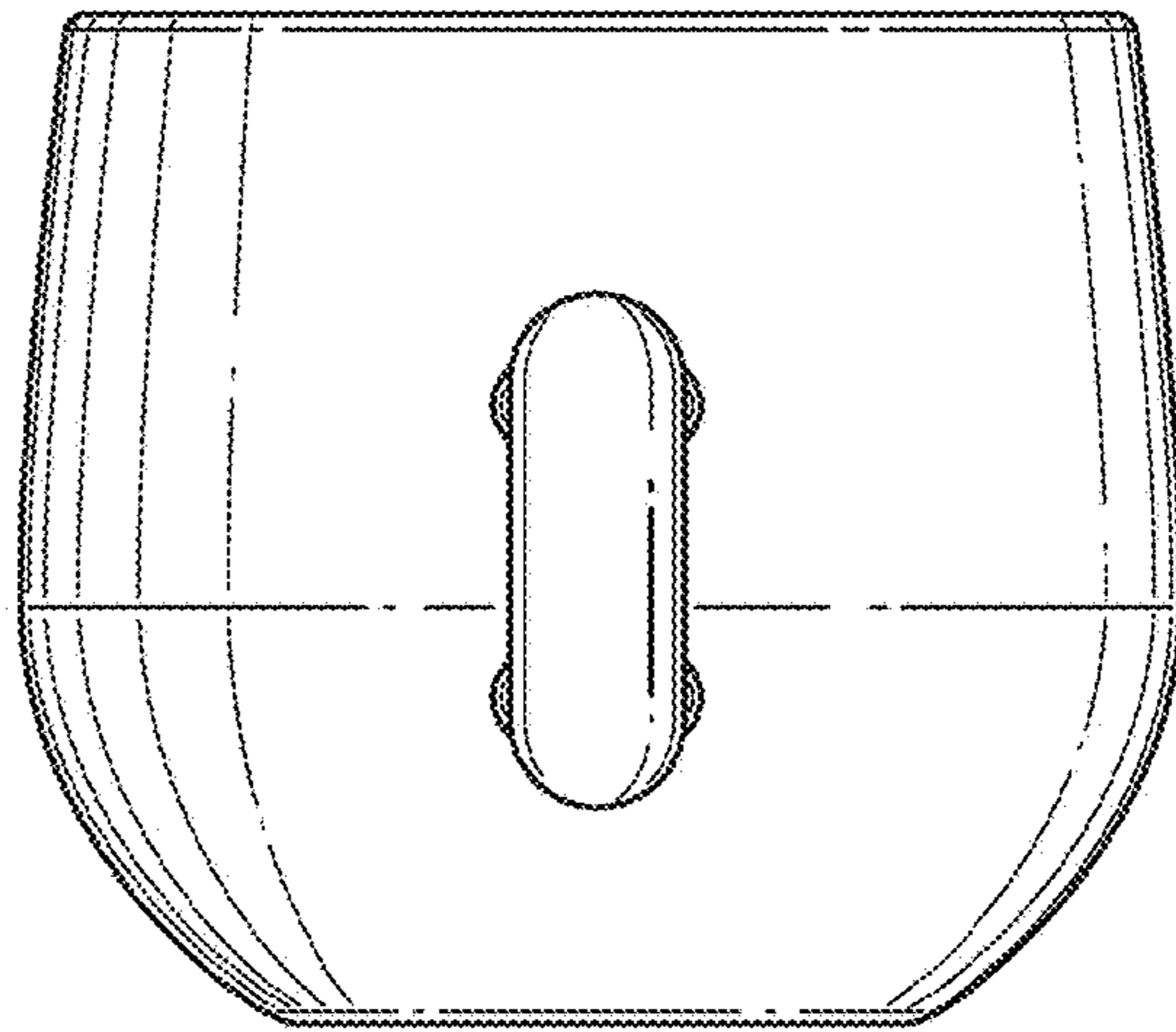


FIG. 5

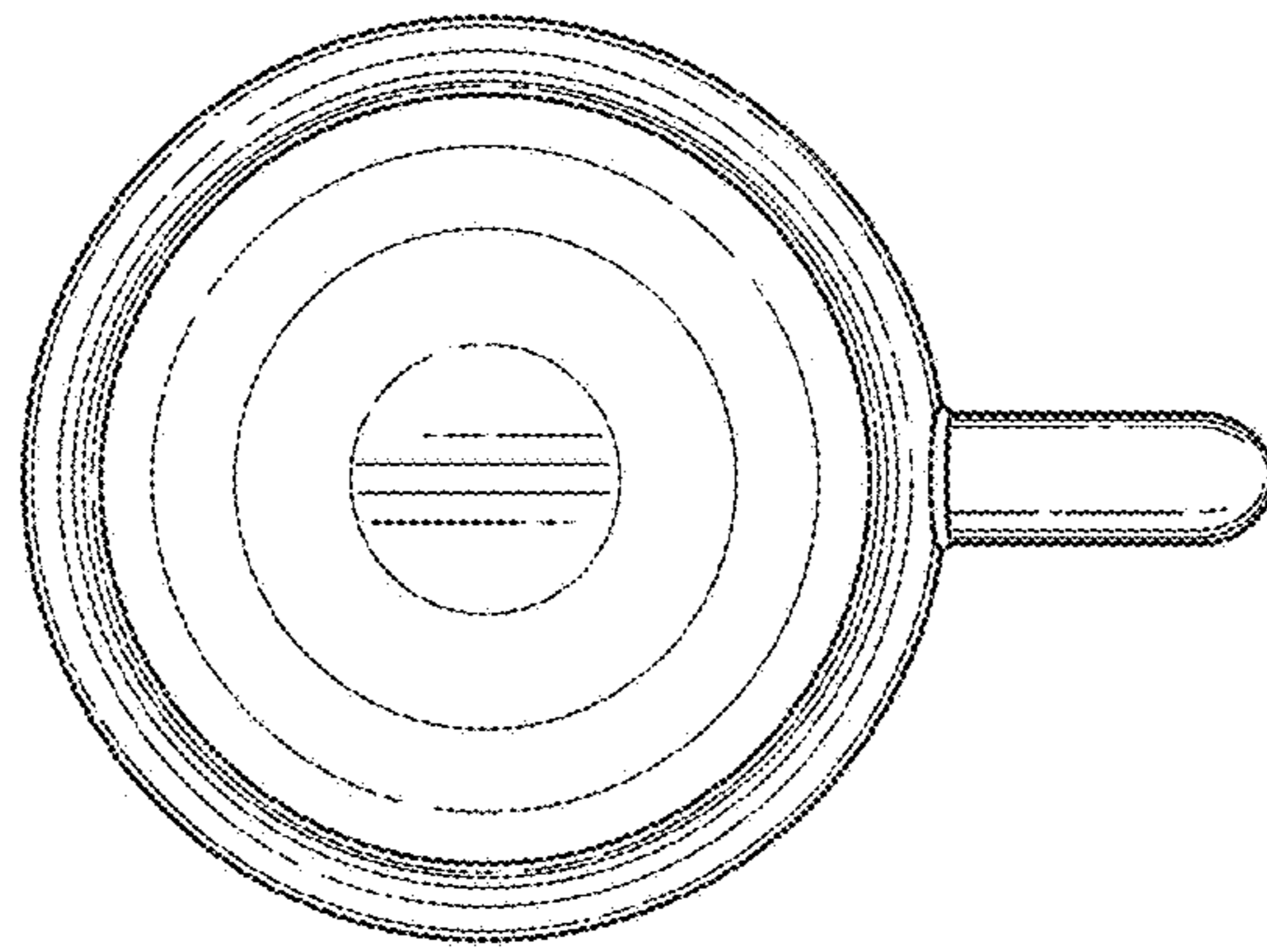


FIG. 6

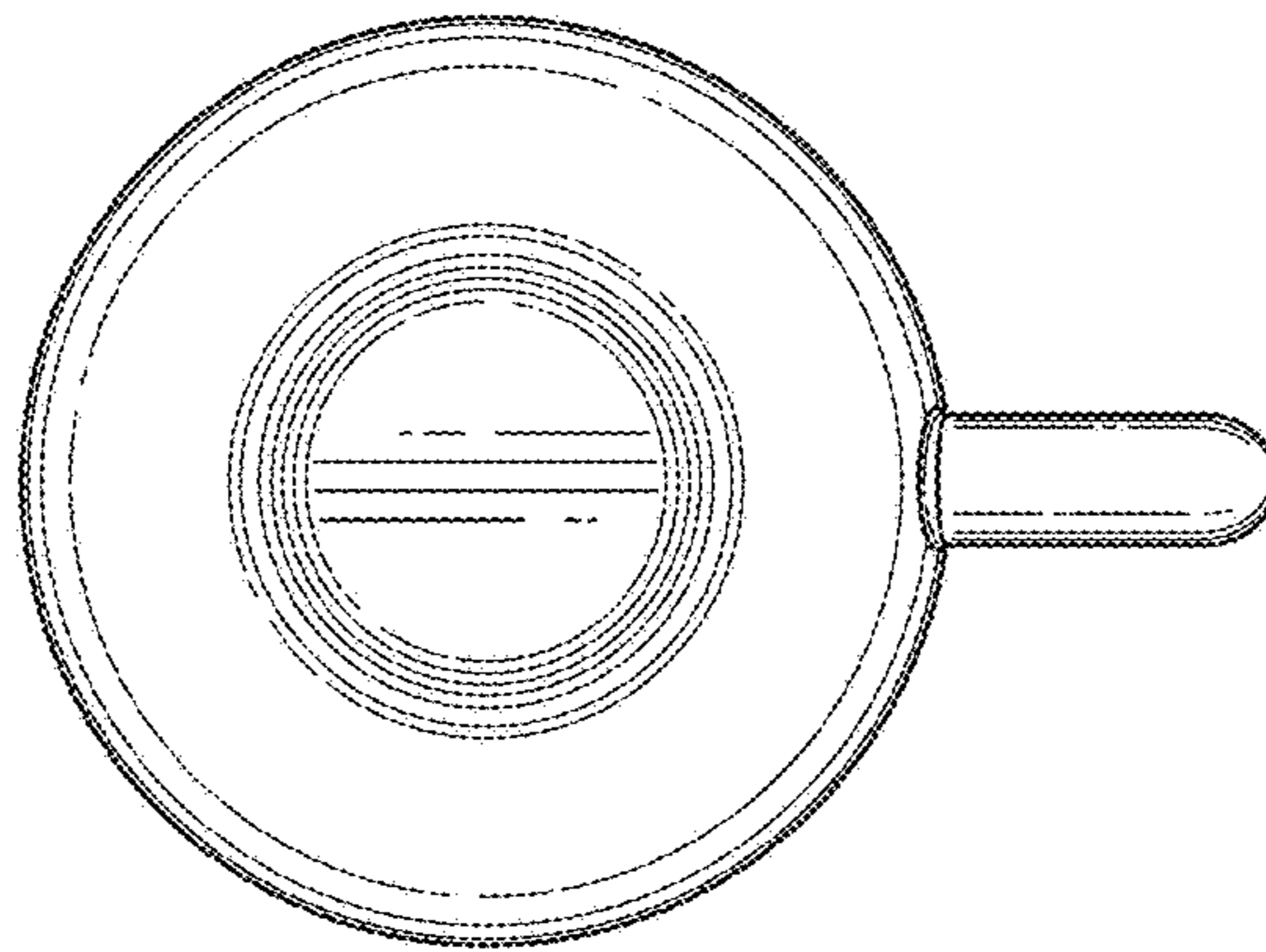


FIG. 7