

US00D796902S

(12) **United States Design Patent** (10) **Patent No.:** **US D796,902 S**
Gordon (45) **Date of Patent:** **** Sep. 12, 2017**

(54) **BEVERAGE CONTAINER**

(71) Applicant: **CamelBak Products, LLC**, Petaluma, CA (US)

(72) Inventor: **William Gordon**, Petaluma, CA (US)

(73) Assignee: **CamelBak Products, LLC**, Petaluma, CA (US)

(**) Term: **15 Years**

(21) Appl. No.: **29/565,326**

(22) Filed: **May 19, 2016**

(51) **LOC (10) Cl.** **07-01**

(52) **U.S. Cl.**
USPC **D7/510**

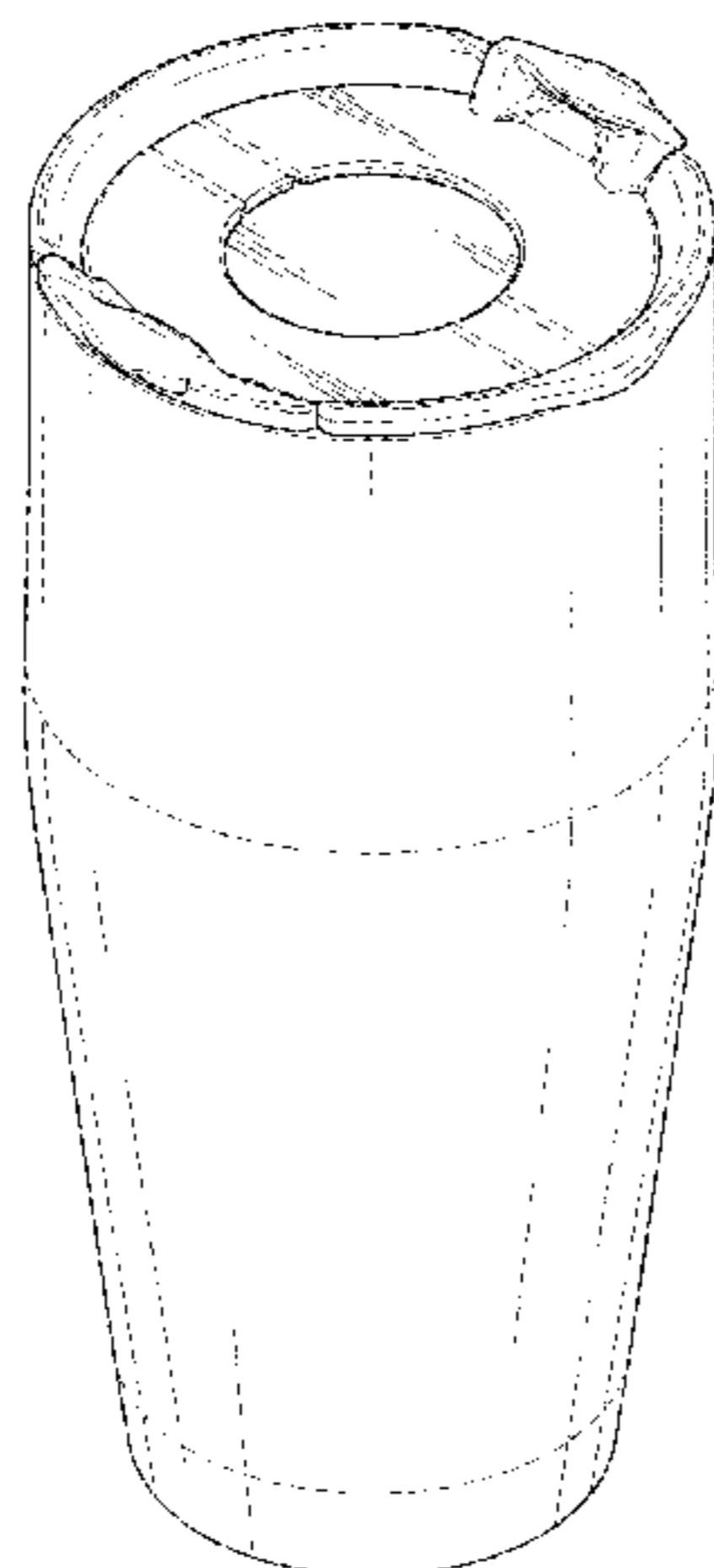
(58) **Field of Classification Search**
USPC ... D7/509-511, 543, 396.2, 300.2, 608, 605, D7/523; D9/525, 523, 530, 551, 435, D9/528
CPC A47G 19/22; A47G 19/2205; A47G 19/2272; A47G 19/2288; A47G 19/2222; B65D 43/00; B65D 23/102; B65D 41/26; B65D 41/04; B65D 1/02; B65D 1/06
See application file for complete search history.

6,578,726	B1	6/2003	Schaefer	
D479,671	S	9/2003	Gluck	
D488,348	S	4/2004	Liu	
D490,274	S	5/2004	Irvine	
6,783,019	B2	8/2004	Zettle et al.	
6,886,707	B2	5/2005	Giraud	
7,121,438	B2	10/2006	Hoepner et al.	
D531,856	S	11/2006	Seum et al.	
D544,749	S	6/2007	Seum et al.	
D564,830	S	3/2008	Holmes	
D568,107	S	5/2008	Bhavnani	
D569,183	S *	5/2008	Blake	D7/509
D584,566	S	1/2009	Fuller	
D600,073	S	9/2009	Carreno	
D621,207	S	8/2010	Bodum	
7,866,183	B2	1/2011	Roth et al.	
D647,753	S	11/2011	Lin	
D648,599	S	11/2011	Watanabe et al.	
D658,059	S	4/2012	Bailey	
8,276,776	B2	10/2012	Roth et al.	
8,459,485	B2	6/2013	Rathbone et al.	
8,459,510	B2	6/2013	Richards et al.	
8,522,997	B2	9/2013	Lane et al.	
8,544,677	B2	10/2013	Selina et al.	
8,550,313	B2	10/2013	Daggett	
D696,906	S	1/2014	Roth	
D697,802	S	1/2014	Lane	
8,636,166	B2	1/2014	Lane	
8,672,174	B1	3/2014	McMullin	
8,690,026	B2	4/2014	Richards et al.	
D704,510	S	5/2014	Mason et al.	
8,757,452	B2	6/2014	Richards et al.	
D710,155	S	8/2014	Tatsukawa	
8,870,010	B2	10/2014	Buck	
D719,408	S *	12/2014	Weber	D7/523
8,919,593	B2	12/2014	Sinacori et al.	
D729,581	S	5/2015	Boroski	
D731,251	S	6/2015	Lane	
D751,345	S	3/2016	Lane et al.	
D770,852	S *	11/2016	Vu	D7/510
2004/0226950	A1	11/2004	Samz et al.	
2006/0096983	A1	5/2006	Patterson	
2006/0213912	A1	9/2006	Zaytoun	
2009/0294460	A1	12/2009	Hovsepian et al.	
2010/0127011	A1	5/2010	Britto et al.	
2010/0140304	A1	6/2010	Walunis et al.	
2011/0095039	A1	4/2011	Mello	
2011/0114655	A1	5/2011	Bailey	
2011/0174658	A1	7/2011	Otsubo	
2011/0309094	A1 *	12/2011	Bodum	A47G 19/2272 220/715

(56) **References Cited**

U.S. PATENT DOCUMENTS

4,949,865	A	8/1990	Turner	
D315,475	S	3/1991	Finger et al.	
5,244,113	A	9/1993	Stymiest	
5,415,312	A	5/1995	Mueller	
5,456,380	A	10/1995	Ito et al.	
D369,108	S	4/1996	Haske	
D377,293	S *	1/1997	Husted	D7/510
D415,027	S	10/1999	Blazar	
D416,755	S	11/1999	Trombly	
D417,819	S *	12/1999	Kelly-Pollet	D7/510
D457,389	S	5/2002	Snell	
D457,779	S	5/2002	Gullickson et al.	
6,419,108	B1	7/2002	Toida et al.	
D466,371	S	12/2002	Parker	
D472,101	S	3/2003	Janky	



2012/0285961 A1 11/2012 Roth et al.
 2014/0251152 A1 9/2014 Tien
 2015/0196149 A1 7/2015 Savenok

FOREIGN PATENT DOCUMENTS

CN	201390448 Y	1/2010
KR	3007267800000	2/2014
KR	3007879990000	3/2015
WO	WO 03/024825	3/2003
WO	WO 2012/173869	12/2012
WO	WO 2015/109197	7/2015
WO	WO 2015/147968	10/2015

OTHER PUBLICATIONS

MiiR Coffee Cup—12oz, product information page downloaded from www.backcountry.com/miir-coffee-cup-12oz, available at least as early as Jan. 5, 2014.

Gribbins, Keith, “Pass or Fail? The Hydro Flask True Pint,” www.craftbrewingbusiness.com/news/hydro-flask-true-pint/, Feb. 13, 2015.

Lemke, Eric, “Liquid Test: YETI Rambler ‘Personal Drink Cooler,’” gearjunkie.com/yeti-rambler-tumbler-review, Oct. 28, 2015.

Klean Kanteen, Insulated Tumbler 16oz, product information page downloaded from <http://www.kleankanteen.com/products/insulated-tumblers-cups-16oz>, available at least as early as Sep. 19, 2015.

Contigo Thermalock™ Ultimate Party Cup, product information page downloaded from www.gocontigo.com/16-oz-ultimate-party-cup.html, available at least as early as May 4, 2015.

Stanley Classic Vacuum Pint—16oz, product information page downloaded from www.backcountry.com/Stanley-classic-spirits-vacuum-pint-16oz, available at least as early as Jan. 30, 2016.

Collection Logo, “Logo Travel Mugs—The Gifts of Appreciation for Your Customers,” <http://galerylogo.blogspot.com/2012/05/logo-travel-mugs-gifts-of-appreciation.html>, May 2012.

Greek Gear, Engraved Fraternity & Sorority Travel Mug, product information page downloaded from www.greekgear.com/entrmug.html, available at least as early as Mar. 29, 2010.

Stonekettle Station, “Latest From the Shop—Lathe Turned Coffee Mug,” www.stonekettle.com/2010/05/latest-from-shop-lathe-turned-coffee.html, May 15, 2010.

Stainless Steel Travel Mug, product information page downloaded from www.okokchina.com/p/Travel-Mug/Stainless-Steel-Travel-Mug-162373.html, available at least as early as Jan. 25, 2008.

English-language machine translation of Chinese Patent No. 201390448Y, Global Patent Solutions, Jan. 27, 2010.

Best Morning Ever Coffee Mug for Warm Coffee With Steaming Donut, downloaded from <http://www.homecrux.com/2015/11/21/38405/best-morning-ever-coffee-mug-offers-warm-coffee-and-donut.html> on Jan. 5, 2016.

Copco Travel Mug, downloaded from <http://www.all-the-best-coffee-mugs.com/dishwasher-safe-travel-mug.html> on Jan. 5, 2016.

Insulated Mug, downloaded from <http://completecareshop.co.uk/drinking-aids/insulated-mugs/insulated-mug> on Jan. 5, 2016.

Klean Kanteen Pint Lid, downloaded from <http://www.rei.com/product/868053/klean-kanteen-pint-lid> on Jan. 21, 2016.

Organize-it Ceramic Travel Mug, downloaded from <http://www.organizeit.com/ceramic-travel-mug-deer.asp> on Jan. 5, 2016.

Thermos 16 Ounce Stainless Steel Travel Tumbler, downloaded from <http://www.amazon.com/Thermos-Ounce-Stainless-Travel-Tumbler/product-reviews/B000NZVA6U> on Jan. 5, 2016.

“Orca Whale Tail Flip Flop Chaser Cup Lid”. Found online Mar. 16, 2017 at amazon.com. Page dated Oct. 16, 2016. Retrieved from https://www.amazon.com/ORCA-Flip-Chaser-Lid-Black/dp/B01HRPQ2RA/ref=cm_cr_arp_d_product_top?ie=UTF8.

“Magic Bullet Flip Top Lids”. Found online Mar. 16, 2017 at amazon.com. Page dated Dec. 31, 2012. Retrieved from https://www.amazon.com/Magic-Bullet-Flip-Replacement-Original/dp/B00AV553ME/ref=sr_1_178?ie=UTF8&qid=1489696166&sr=8-178&keywords=mug+lid.

“Klean Kanteen Pint Lid”. Found online Mar. 16, 2017 at amazon.com. Page dated Nov. 17, 2009. Retrieved from https://www.amazon.com/Klean-Kanteen-Stainless-D-Ring-Bottle/dp/B0093IKZGY/ref=cm_cr_arp_d_product_top?ie=UTF8.

“CamelBak Podium Bottles Have the Flow”. Found online Mar. 16, 2017 at feedthehabit.com. Page dated Sep. 14, 2014. Retrieved from <https://www.feedthehabit.com/road-biking/new-camelbak-podium-bottles-flow/>.

* cited by examiner

Primary Examiner — Daniel Bui

Assistant Examiner — Andrew Kerr

(74) Attorney, Agent, or Firm — Dascenzo Intellectual Property Law, P.C.; David S. D’Ascenzo

(57)

CLAIM

The ornamental design for a beverage container, as shown and described.

DESCRIPTION

FIG. 1 is a perspective view of a beverage container showing the design.

FIG. 2 is a side elevation view of the beverage container of FIG. 1.

FIG. 3 is another side elevation view of the beverage container of FIG. 1.

FIG. 4 is another side elevation view of the beverage container of FIG. 1.

FIG. 5 is another side elevation view of the beverage container of FIG. 1.

FIG. 6 is a top plan view of the beverage container of FIG. 1.

FIG. 7 is a bottom plan view of the beverage container of FIG. 1.

FIG. 8 is a perspective view of a beverage container showing the design.

FIG. 9 is a side elevation view of the beverage container of FIG. 8.

FIG. 10 is another side elevation view of the beverage container of FIG. 8.

FIG. 11 is another side elevation view of the beverage container of FIG. 8.

FIG. 12 is another side elevation view of the beverage container of FIG. 8.

FIG. 13 is a top plan view of the beverage container of FIG. 8; and,

FIG. 14 is a bottom plan view of the beverage container of FIG. 8.

The dashed lines shown in the drawings illustrate portions of the beverage container that are not presently claimed and thus form no part of the presently claimed design. The shading lines shown in the drawings represent the approximate three-dimensional contour of the claimed design and are not intended to indicate surface decoration.

1 Claim, 7 Drawing Sheets

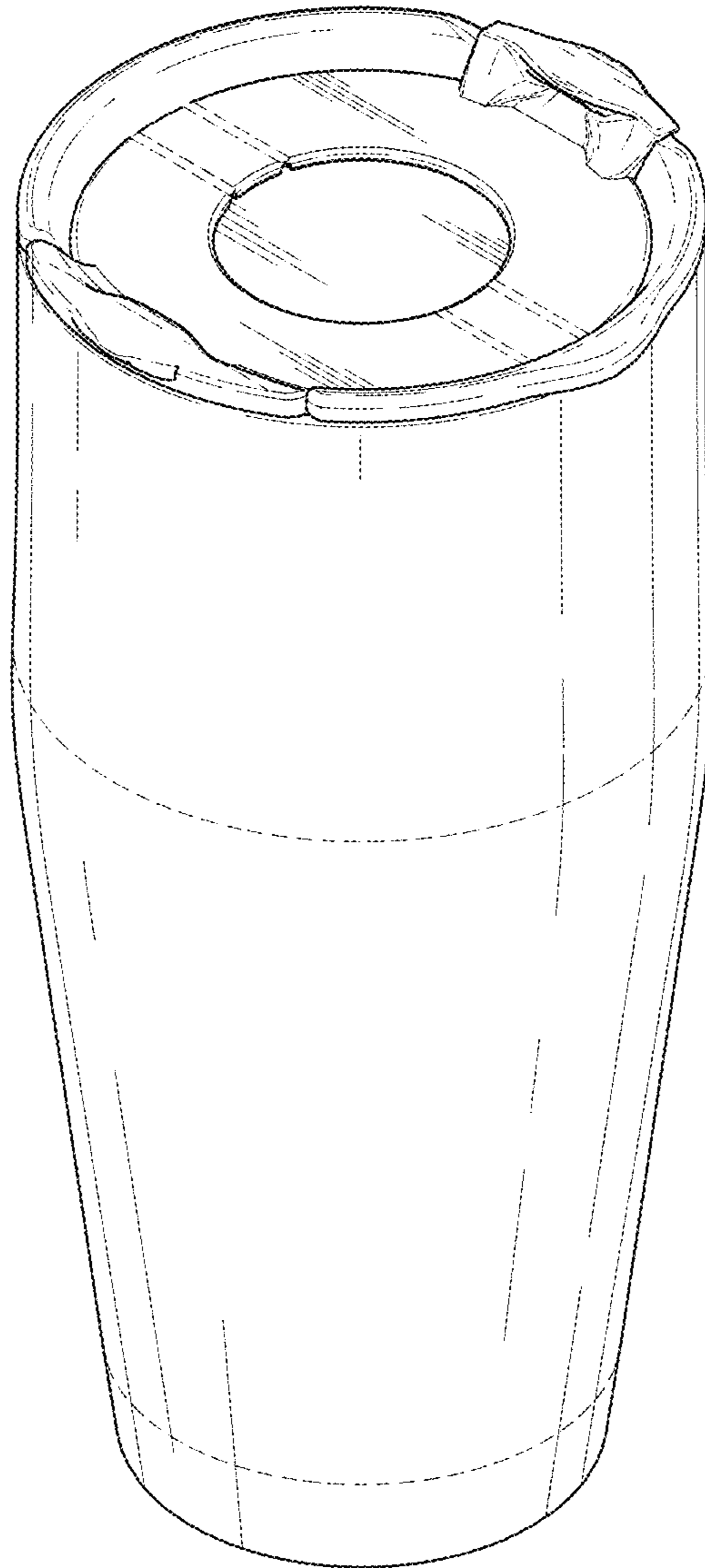


Fig. 1

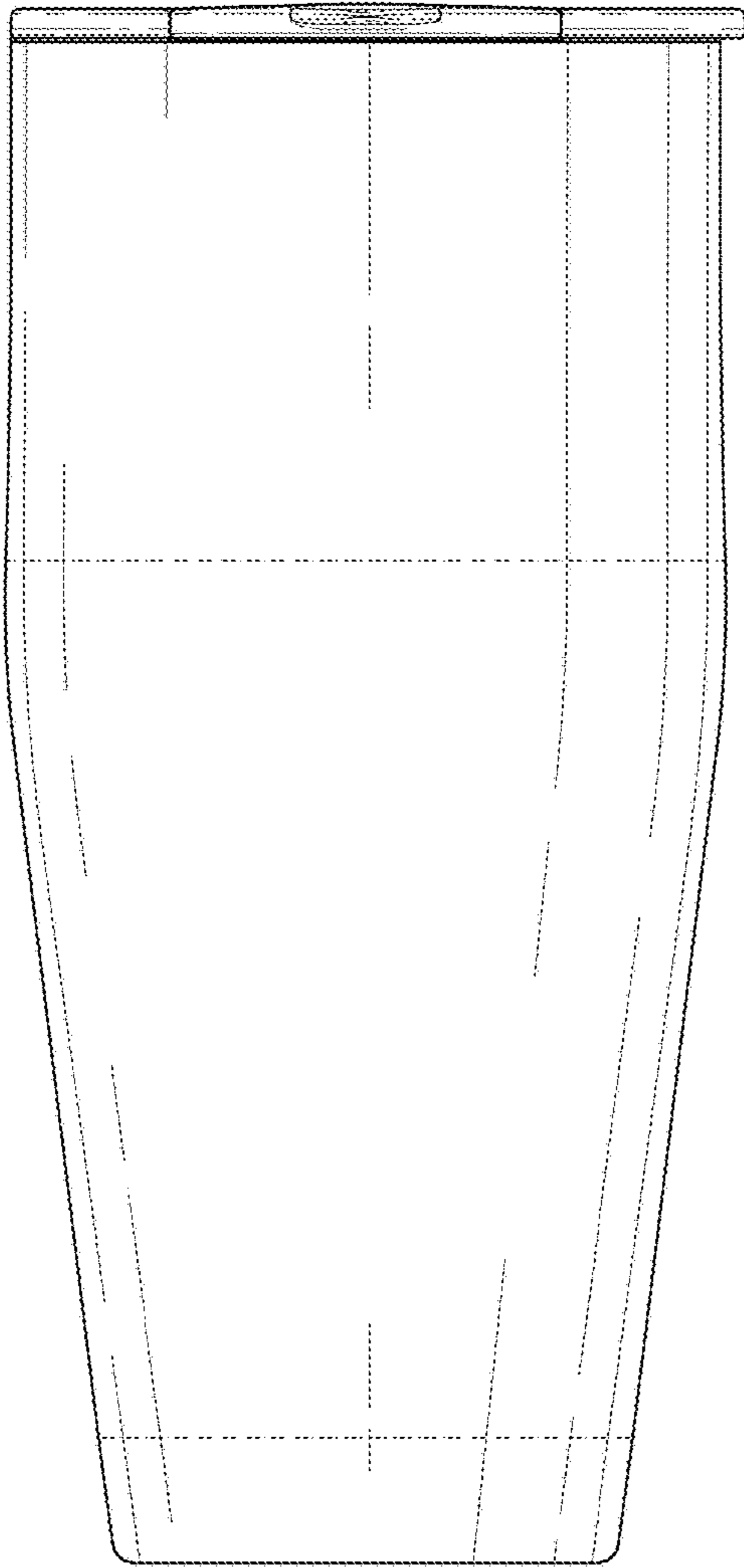


Fig. 2

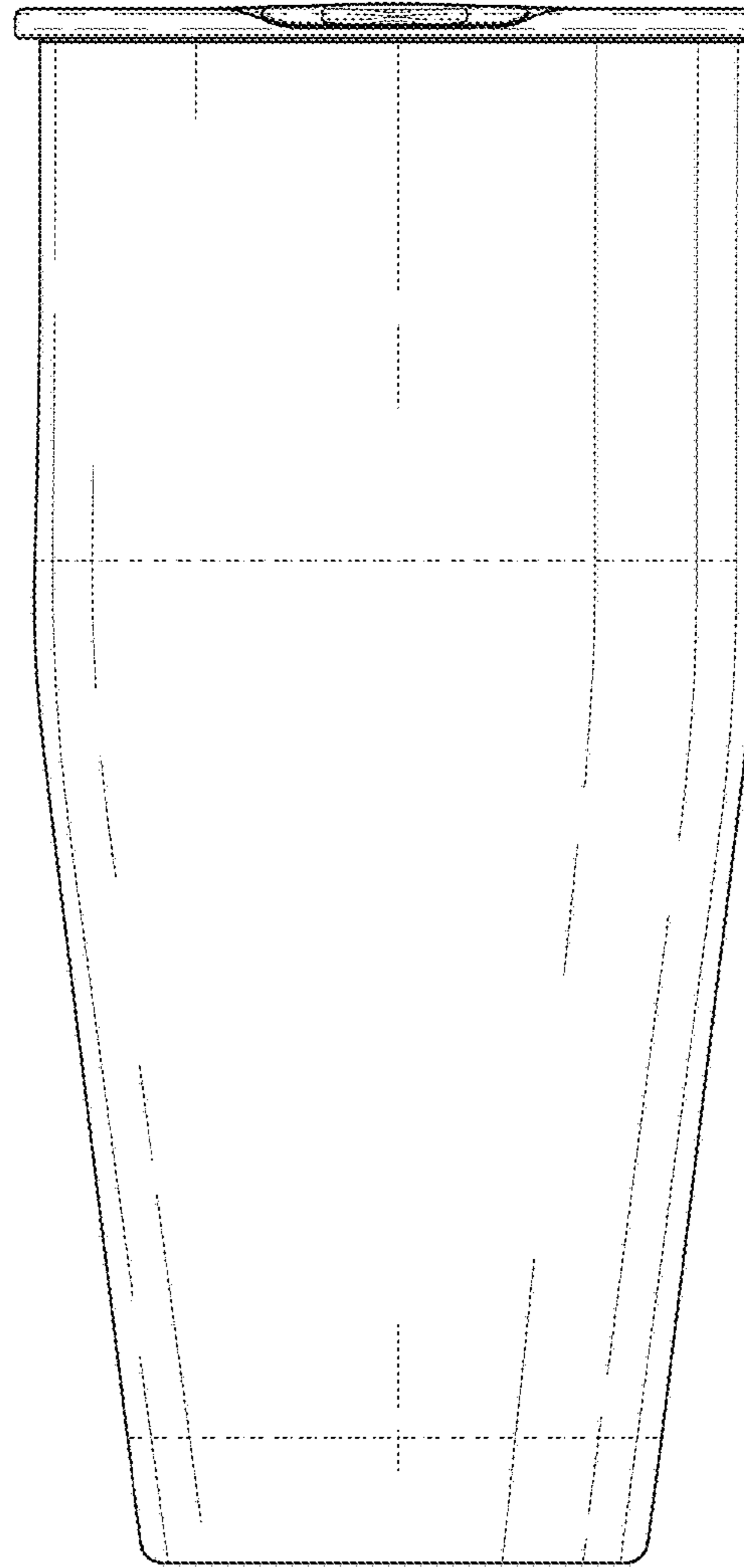


Fig. 3

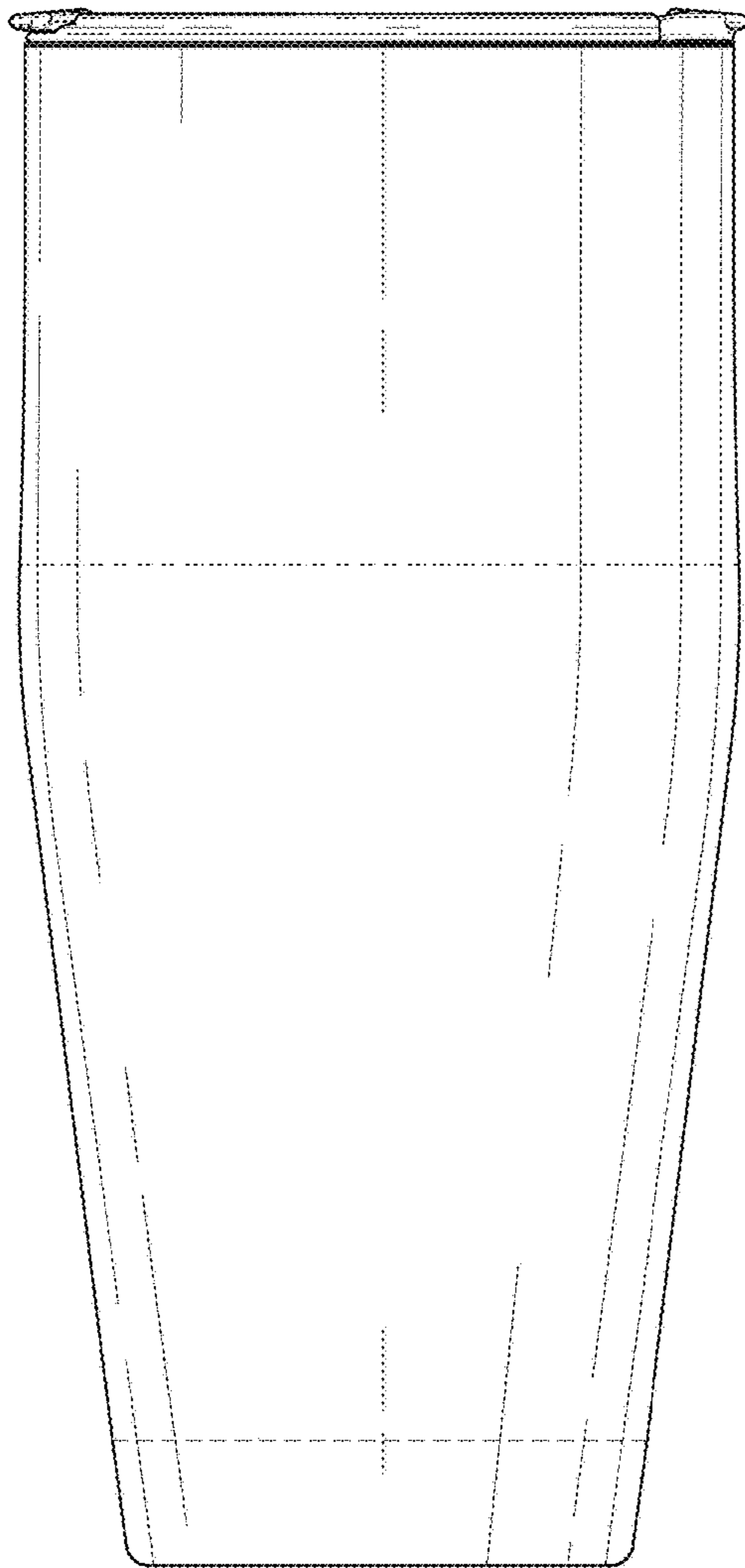


Fig. 4

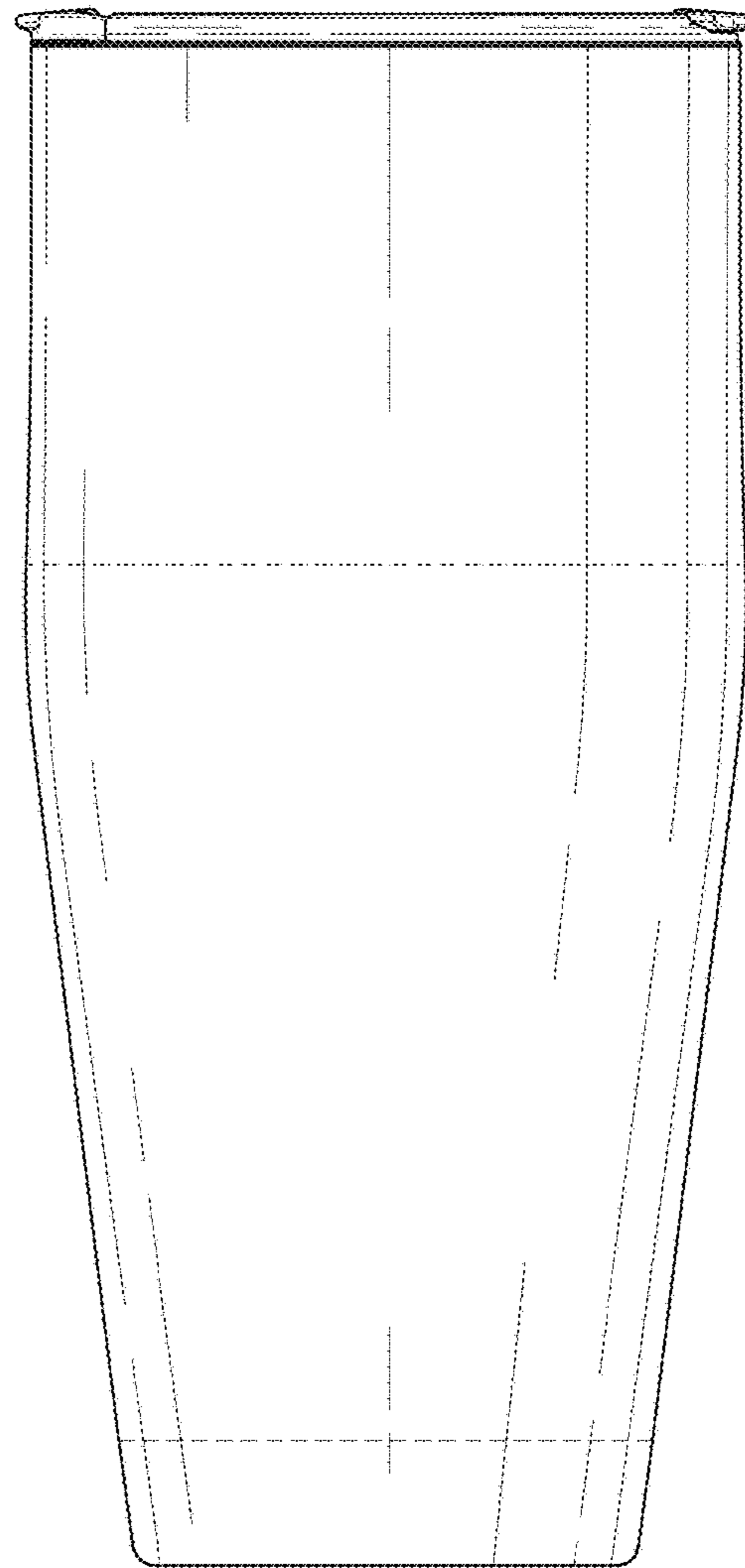


Fig. 5

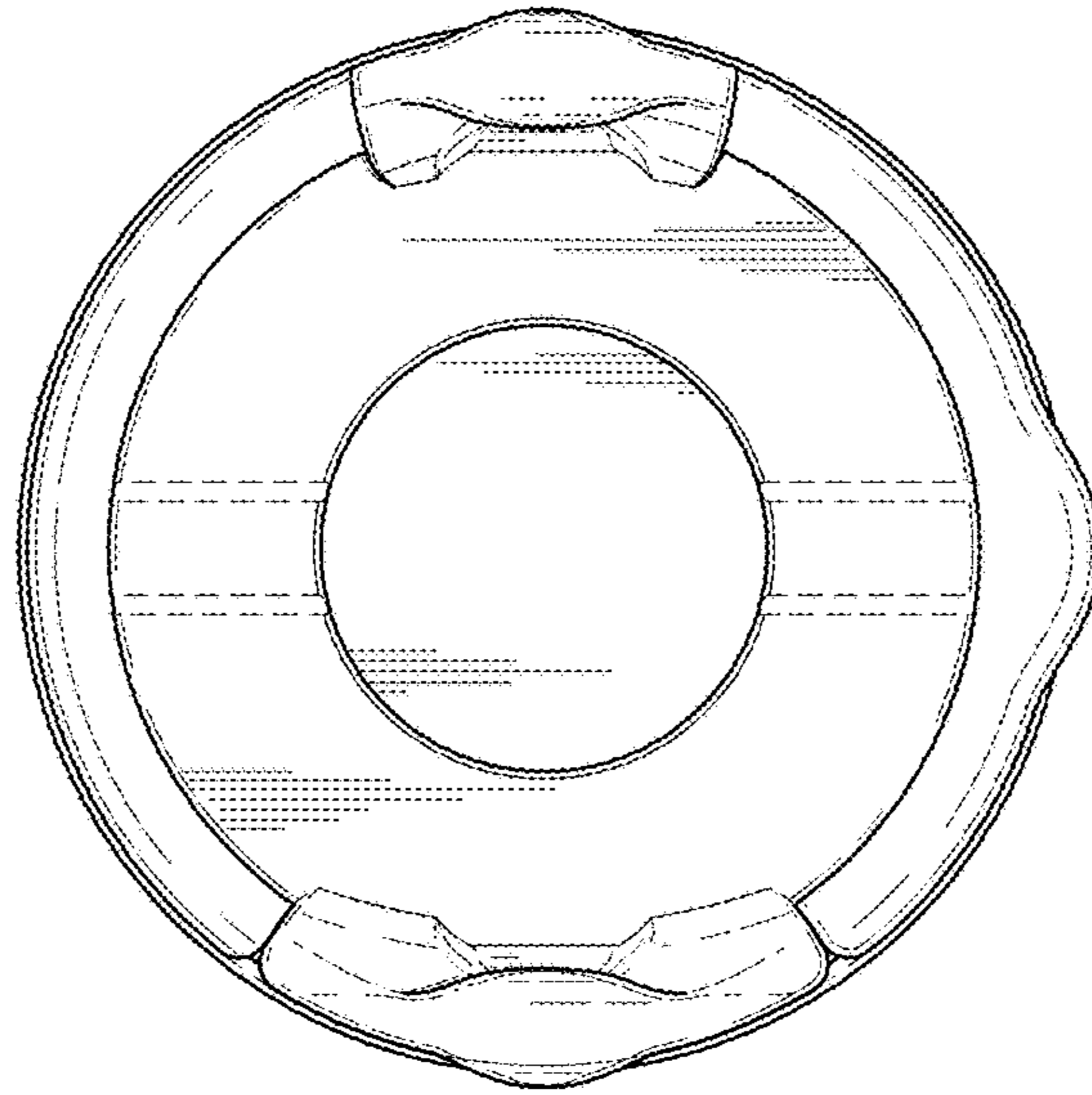


Fig. 6

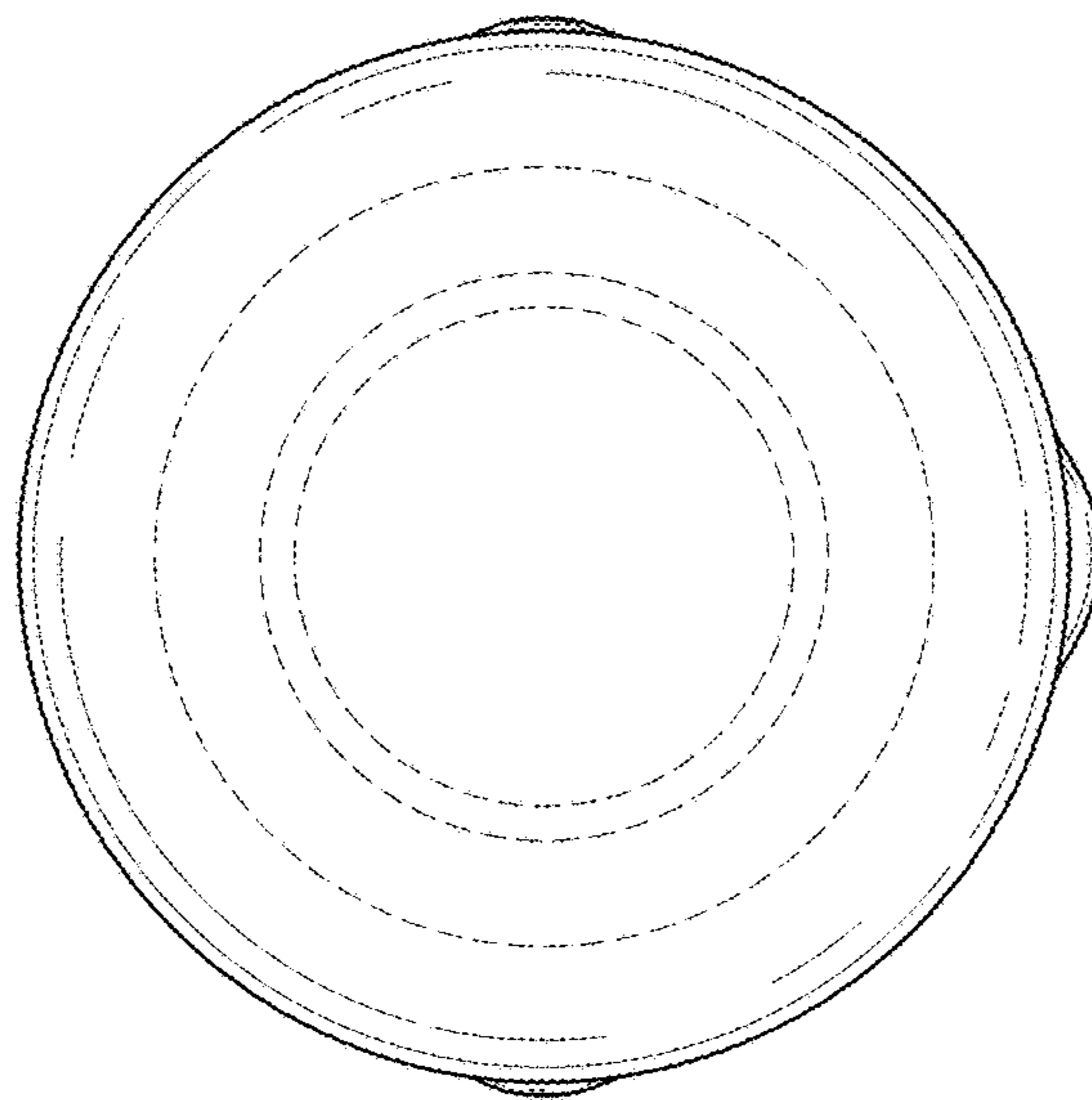


Fig. 7

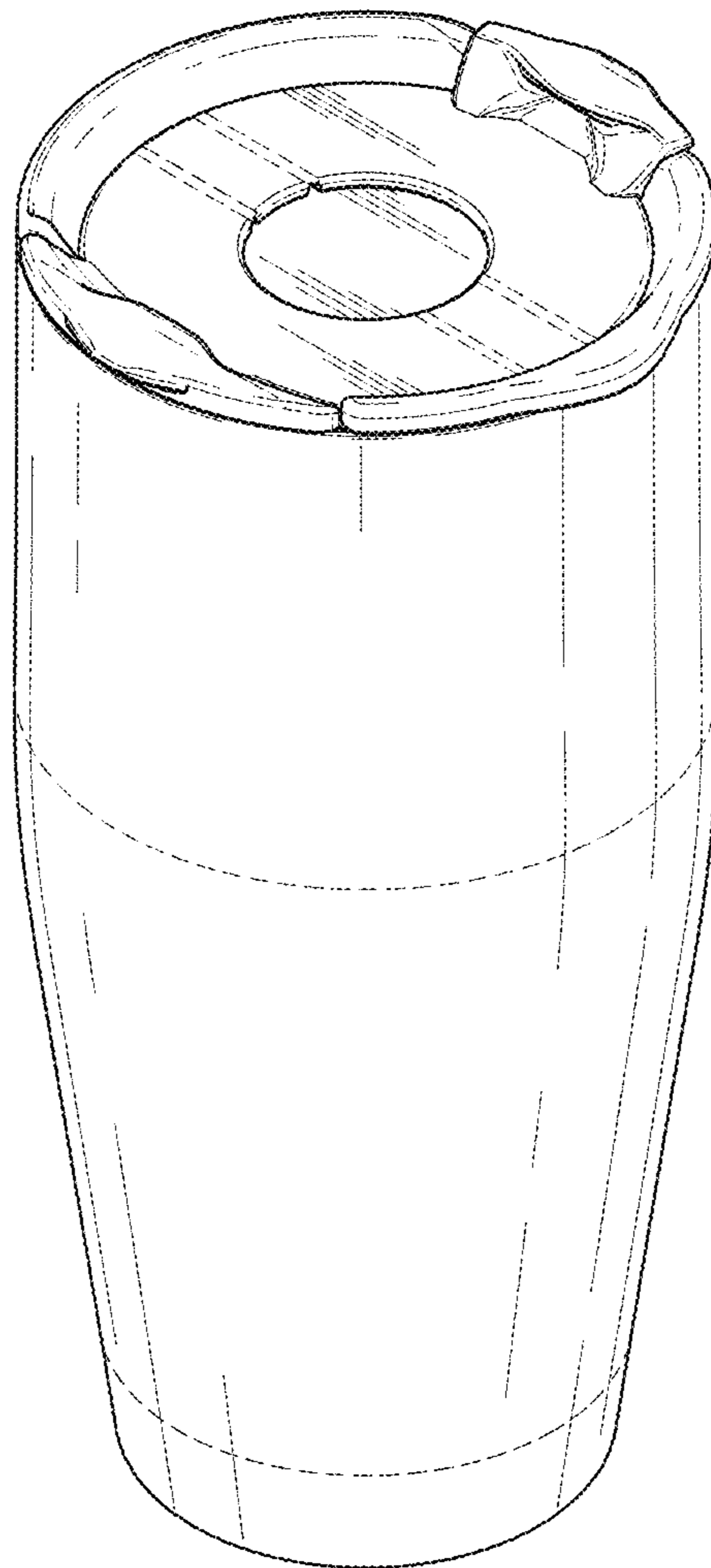


Fig. 8

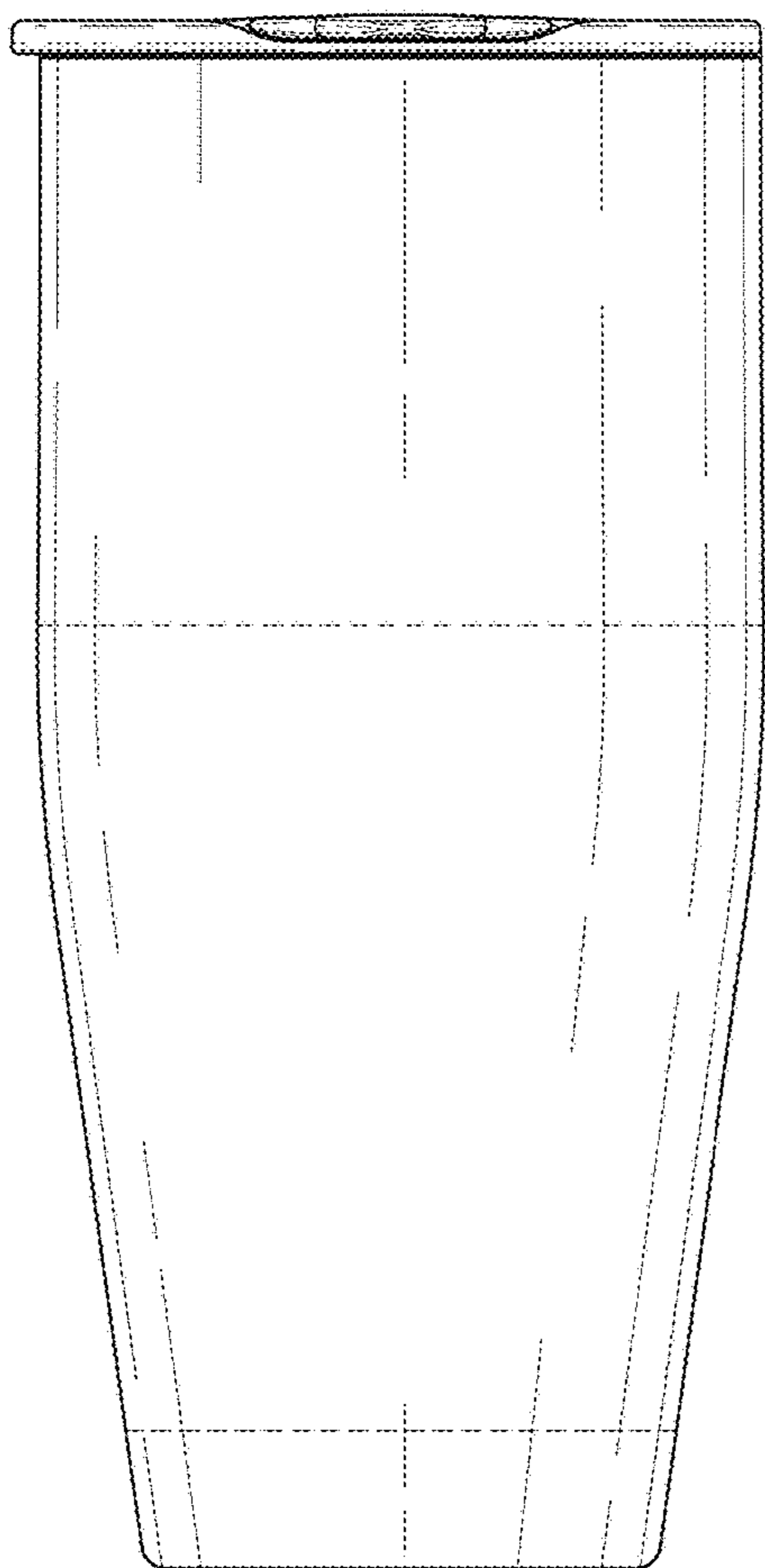


Fig. 9

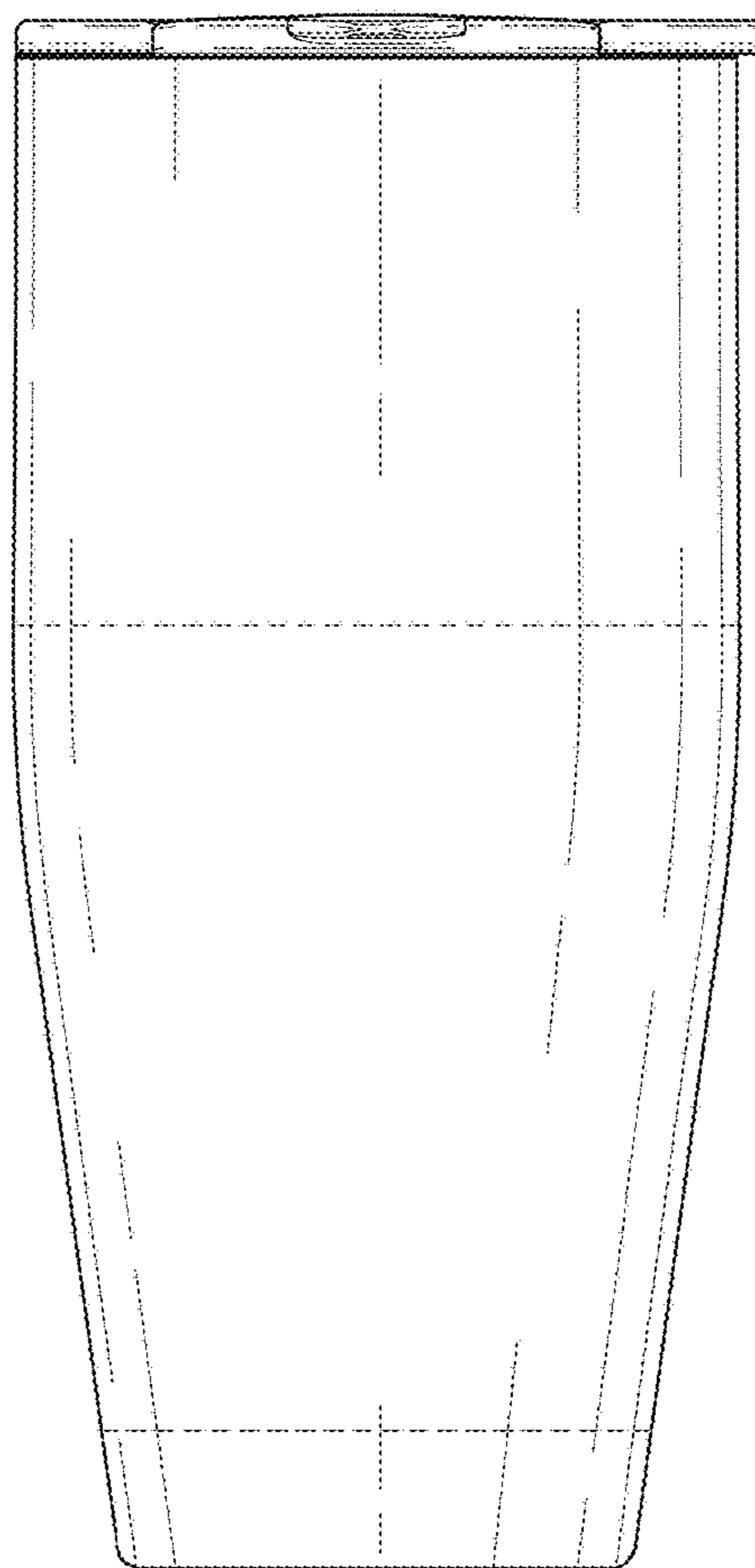


Fig. 10

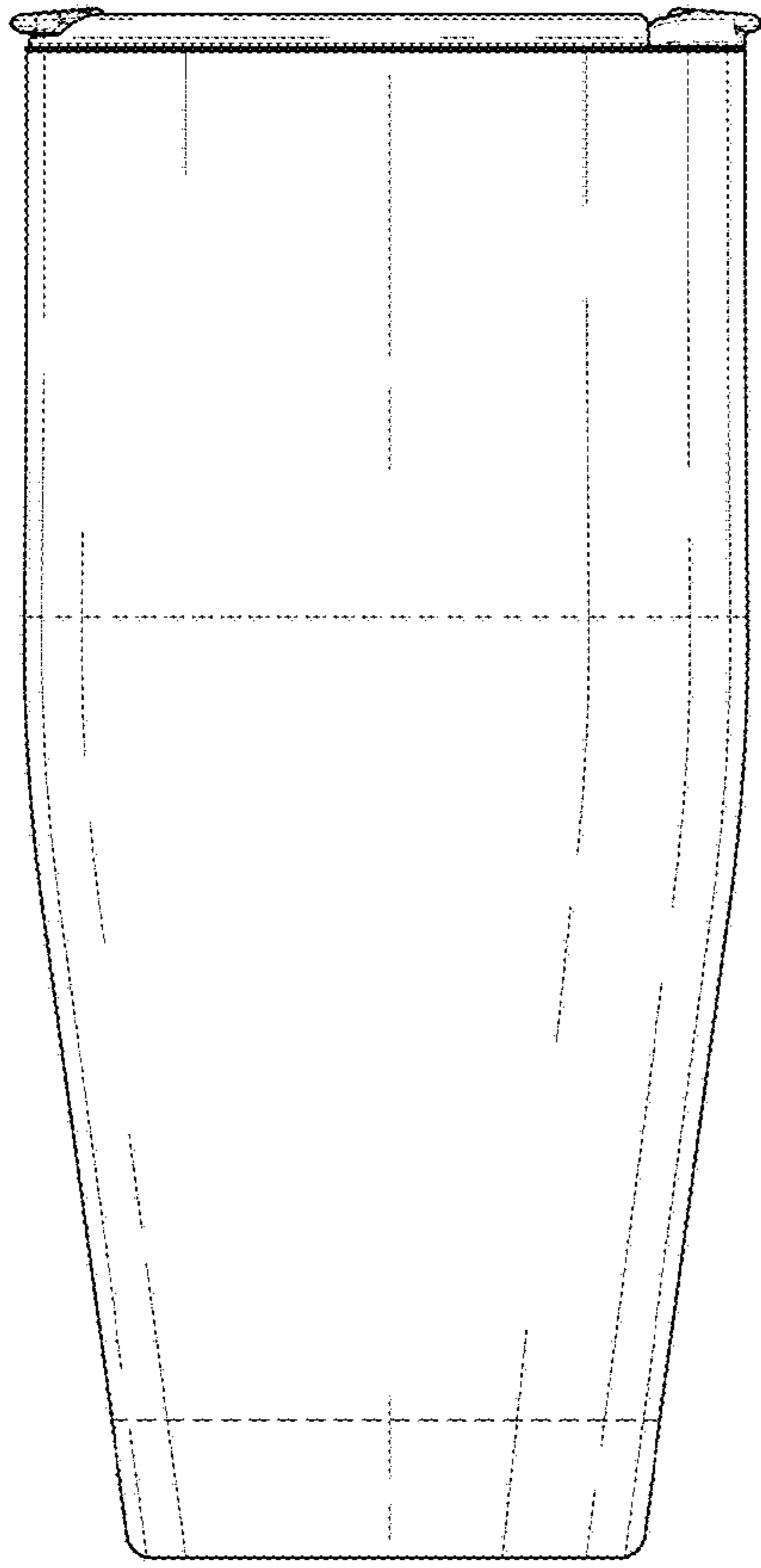


Fig. 11

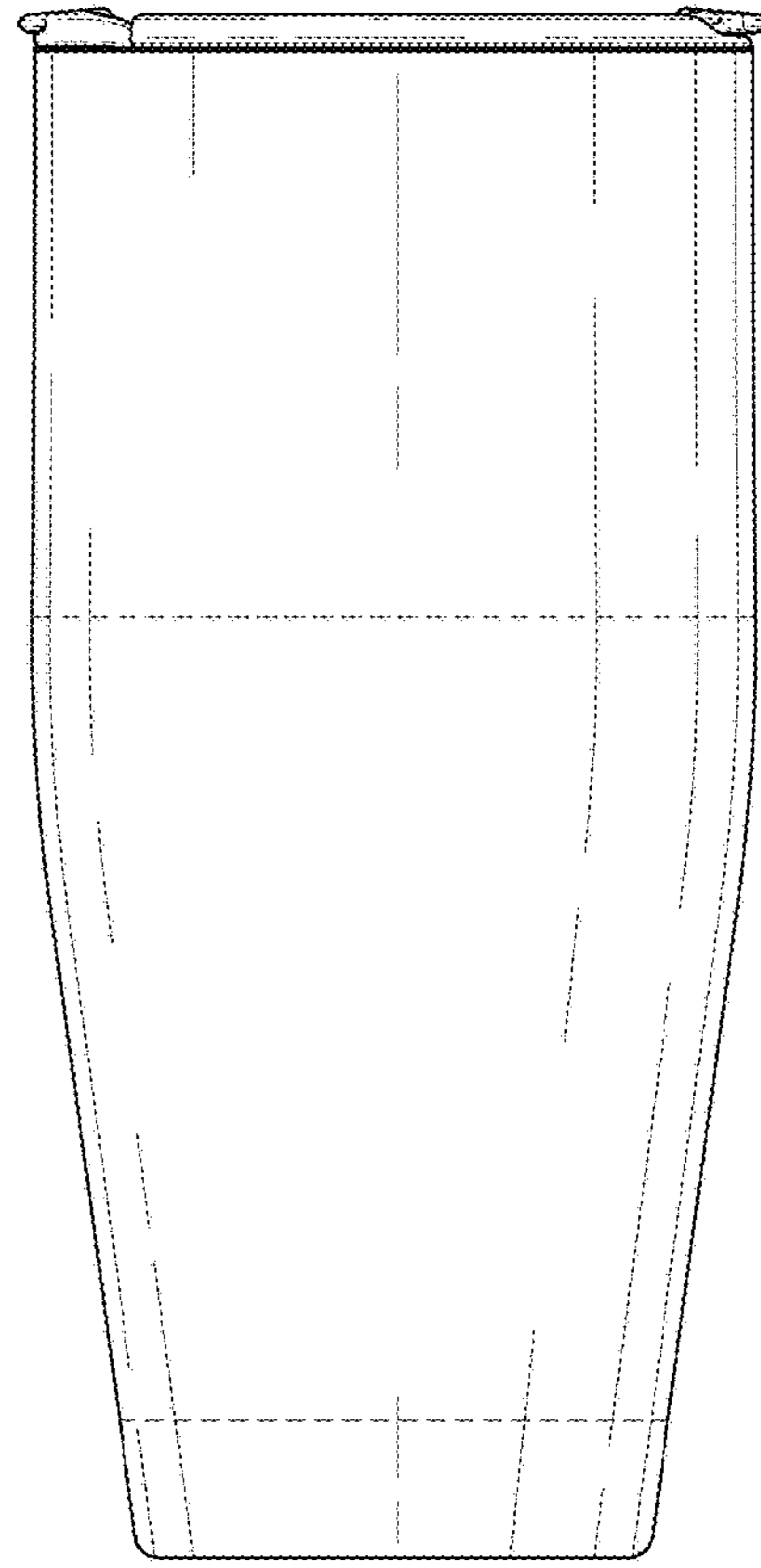


Fig. 12

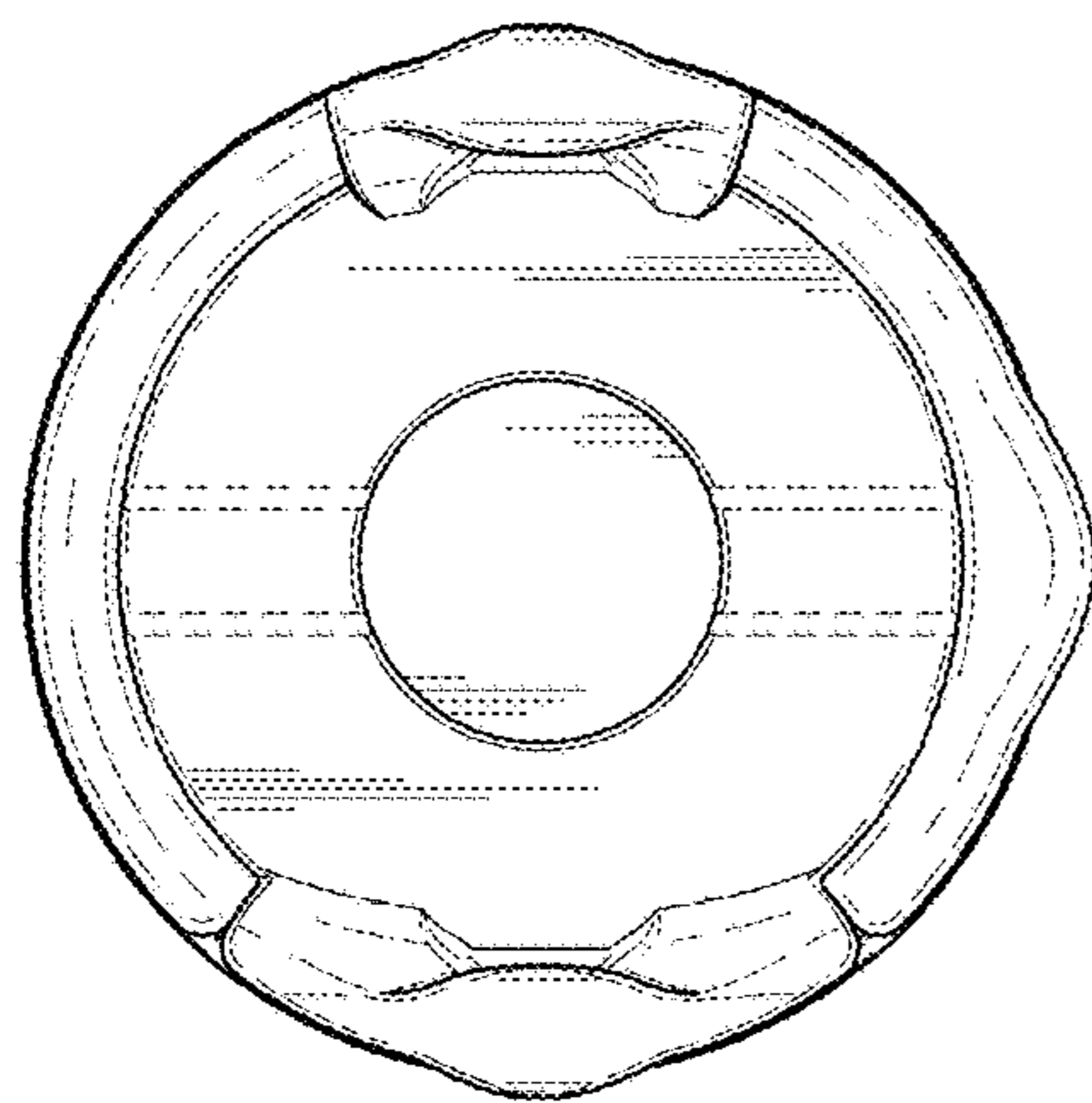


Fig. 13

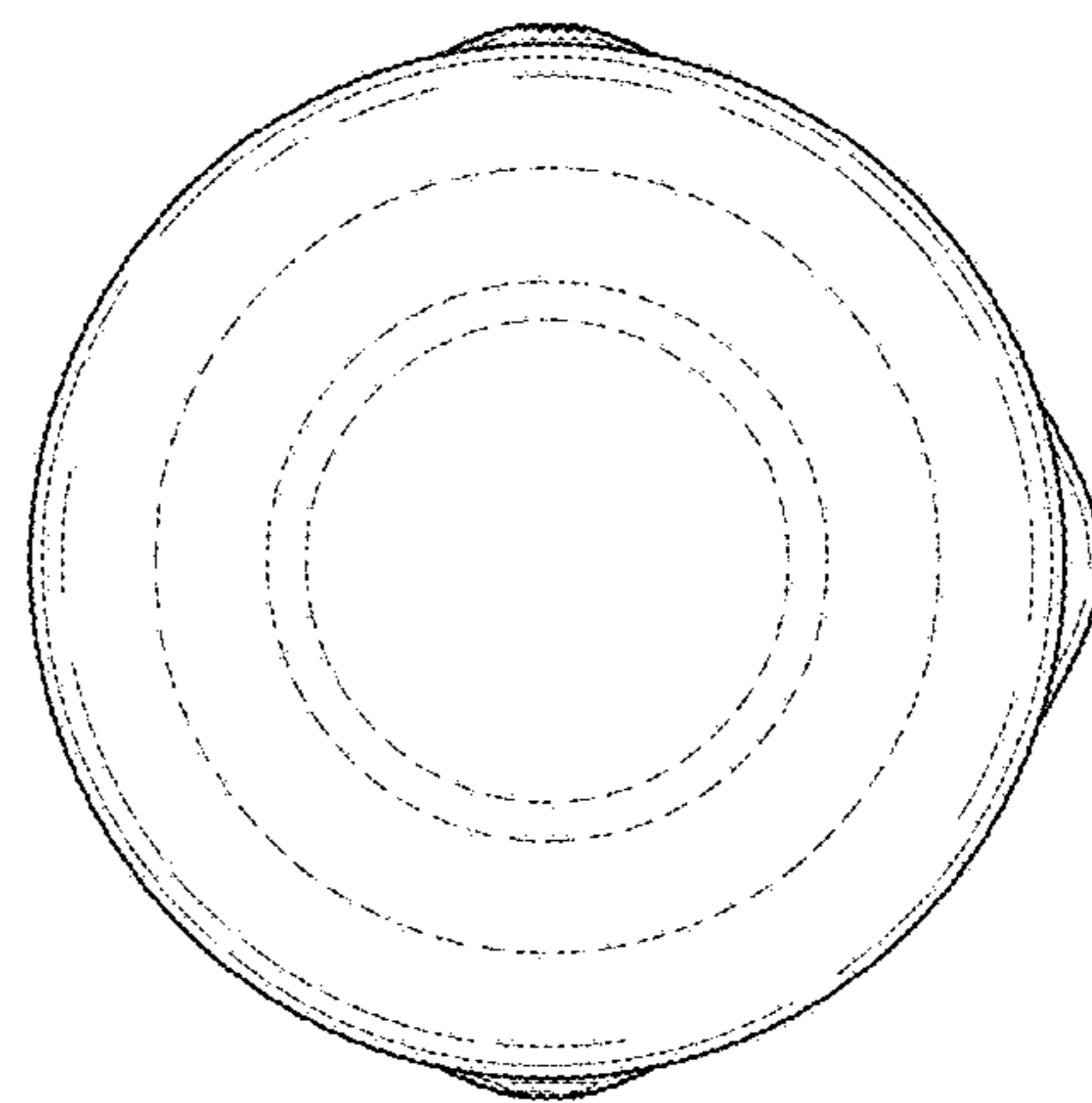


Fig. 14