



US00D796900S

(12) **United States Design Patent** (10) **Patent No.:** **US D796,900 S**  
**Lowry** (45) **Date of Patent:** **\*\* Sep. 12, 2017**

(54) **HEAT DIFFUSER**  
(71) Applicant: **Dan Lowry LLC**, Clinton Township, MI (US)  
(72) Inventor: **Daniel H. Lowry**, Clinton Township, MI (US)  
(73) Assignee: **Dan Lowry LLC**, Clinton Township, MI (US)

1,922,420 A 8/1933 Coulston  
2,560,984 A 7/1951 Port et al.  
2,565,726 A 8/1951 Garrison  
3,307,531 A 3/1967 Thompson  
3,344,735 A 10/1967 Kochman  
3,583,384 A 6/1971 Ranisate et al.  
3,622,754 A 11/1971 Hurko et al.  
D246,627 S \* 12/1977 Sugiyama ..... 99/400  
4,446,776 A \* 5/1984 Gelfman ..... A47J 37/10  
99/401

(Continued)

(\*\*) Term: **15 Years**

FOREIGN PATENT DOCUMENTS

(21) Appl. No.: **29/548,851**

EP 1 249 665 A1 10/2002  
EP 2 182 293 A1 5/2010

(22) Filed: **Dec. 17, 2015**

(Continued)

(51) **LOC (10) Cl.** ..... **07-02**

(52) **U.S. Cl.**

USPC ..... **D7/407**

(58) **Field of Classification Search**

USPC ..... D7/388, 402, 407; D23/323, 324, 330,  
D23/335-339, 341, 354-355, 386, 499;  
D13/179

CPC ..... F24C 15/28; H05B 3/72; F28F 9/0131  
See application file for complete search history.

OTHER PUBLICATIONS

International Search Report and Written Opinion dated Dec. 6, 2013.

*Primary Examiner* — Sheryl Lane

*Assistant Examiner* — Calvin E Vansant

(74) *Attorney, Agent, or Firm* — Brinks Gilson & Lione

(56) **References Cited**

U.S. PATENT DOCUMENTS

709,048 A \* 9/1902 Sausser et al. .... A47J 37/067  
99/450  
956,742 A \* 5/1910 Spengler et al. .... F24C 15/10  
126/215  
956,783 A \* 5/1910 Spengler et al. .... F24C 15/10  
126/215  
996,087 A 6/1911 Jeavons et al.  
1,200,741 A \* 10/1916 Lingren ..... A47J 37/067  
99/418  
1,242,021 A 10/1917 Mott  
1,566,185 A 12/1925 Elmgren  
1,786,562 A \* 12/1930 Endorf ..... F24C 15/10  
126/215  
1,806,800 A 5/1931 Herrenbruck

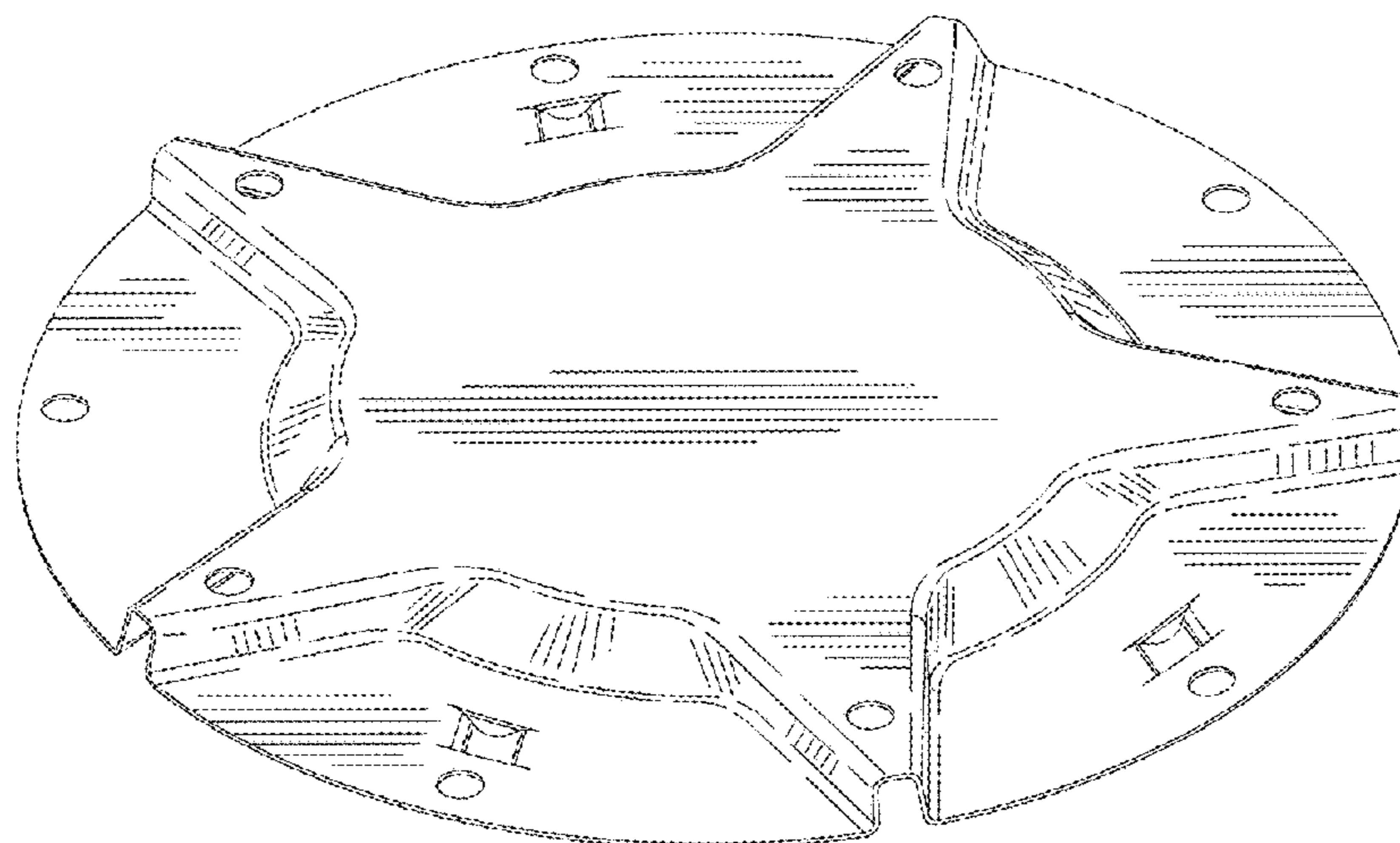
(57) **CLAIM**

The ornamental design for a heat diffuser, as shown and described.

DESCRIPTION

FIG. 1 is a top, perspective view of the heat diffuser of the present invention;  
FIG. 2 is a front view of the heat diffuser shown in FIG. 1;  
FIG. 3 is top view of the heat diffuser shown in FIG. 1;  
FIG. 4 is a right-side view of the heat diffuser shown in FIG. 1; and,  
FIG. 5 is a bottom view of the heat diffuser shown in FIG. 1.

**1 Claim, 3 Drawing Sheets**



(56)

**References Cited**

U.S. PATENT DOCUMENTS

4,607,613 A 8/1986 Toldi  
4,832,295 A \* 5/1989 Wagner ..... F24C 15/10  
126/215  
5,468,145 A 11/1995 Ferlin  
6,508,245 B2 1/2003 Taplan  
6,691,699 B1 2/2004 Fafet et al.  
D565,894 S \* 4/2008 Pryor ..... D7/407  
7,573,003 B2 8/2009 Grätz et al.  
8,057,223 B2 11/2011 Pryor et al.  
2003/0087214 A1 \* 5/2003 Welton ..... F23D 14/06  
431/286  
2008/0160465 A1 \* 7/2008 Pryor ..... F23D 14/06  
431/144  
2010/0199968 A1 \* 8/2010 Adams ..... F23D 14/06  
126/39 E  
2015/0233583 A1 \* 8/2015 Lowry ..... F24C 15/107  
126/216

FOREIGN PATENT DOCUMENTS

FR 1325671 3/1963  
JP 2006266611 A \* 10/2006

\* cited by examiner

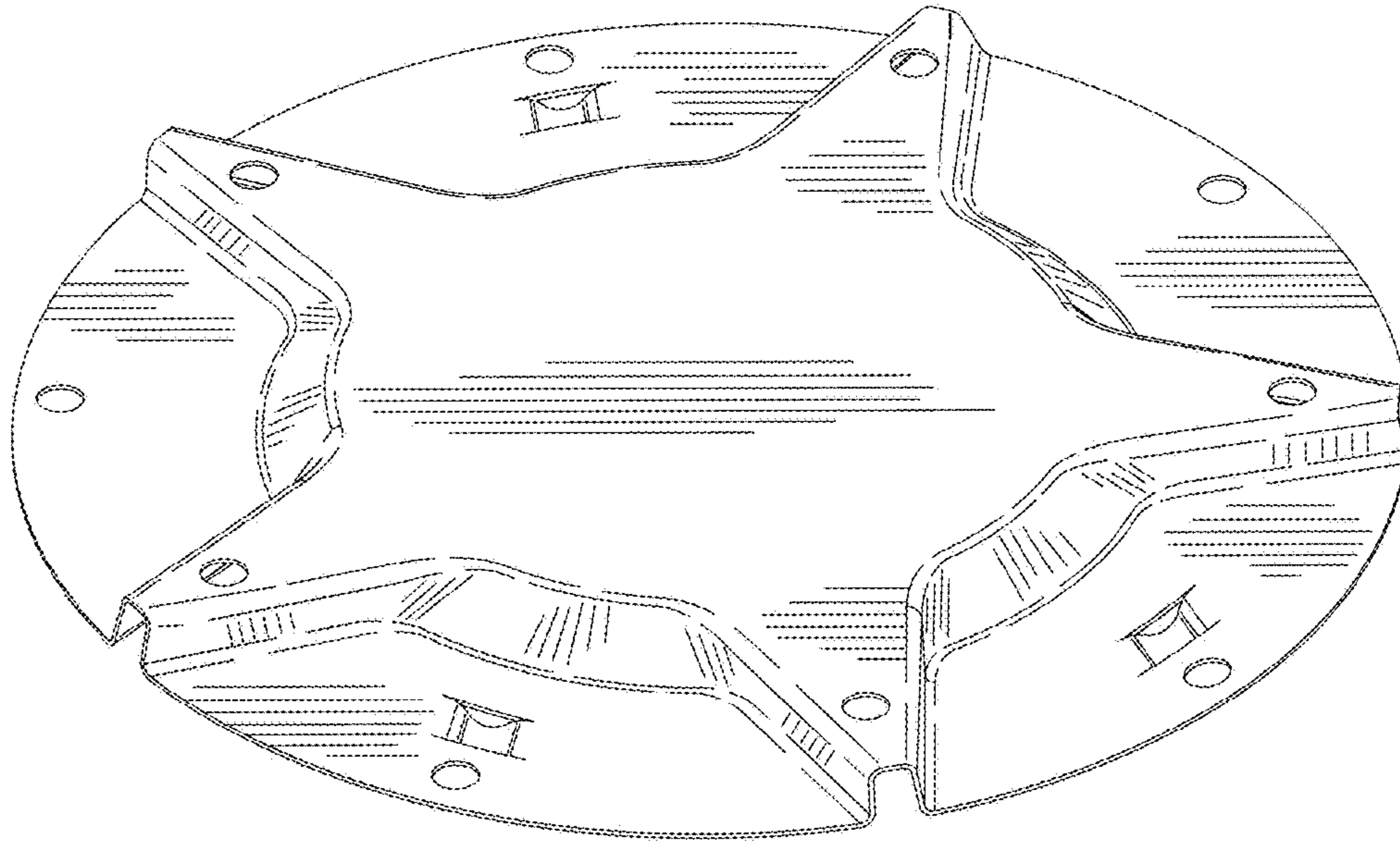


FIG - 1

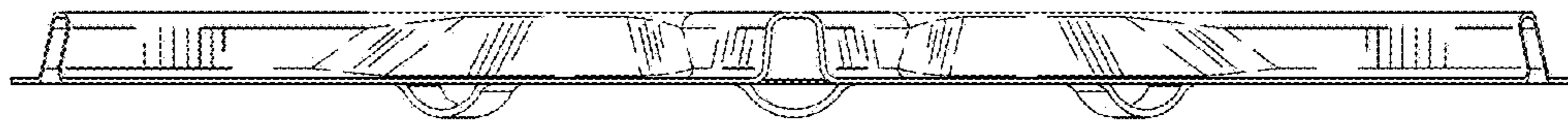


FIG - 2

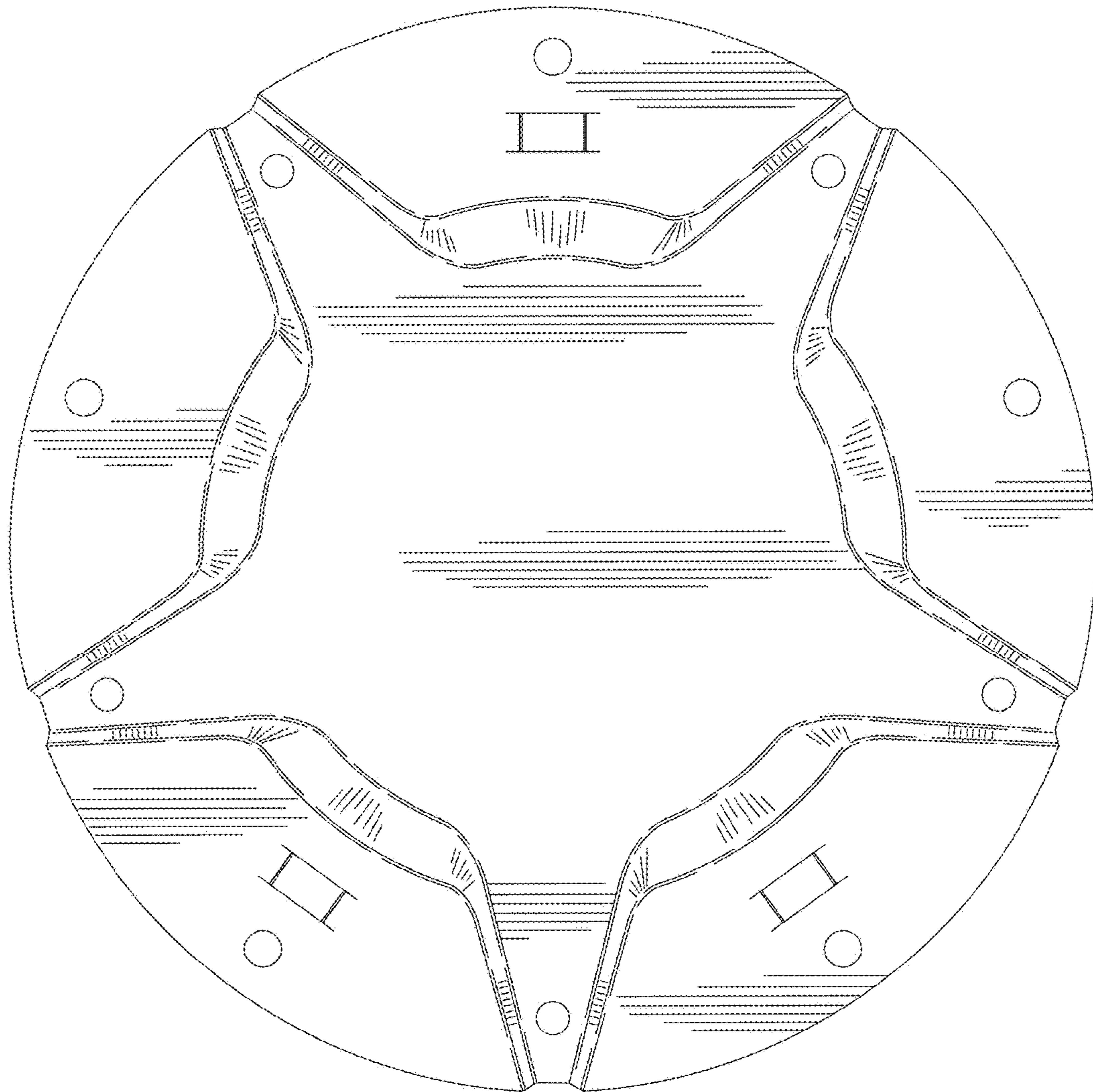


FIG - 3

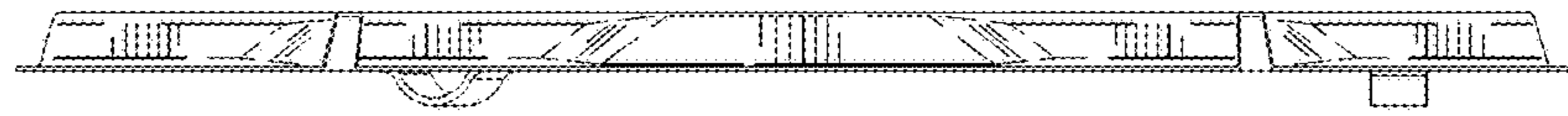


FIG - 4

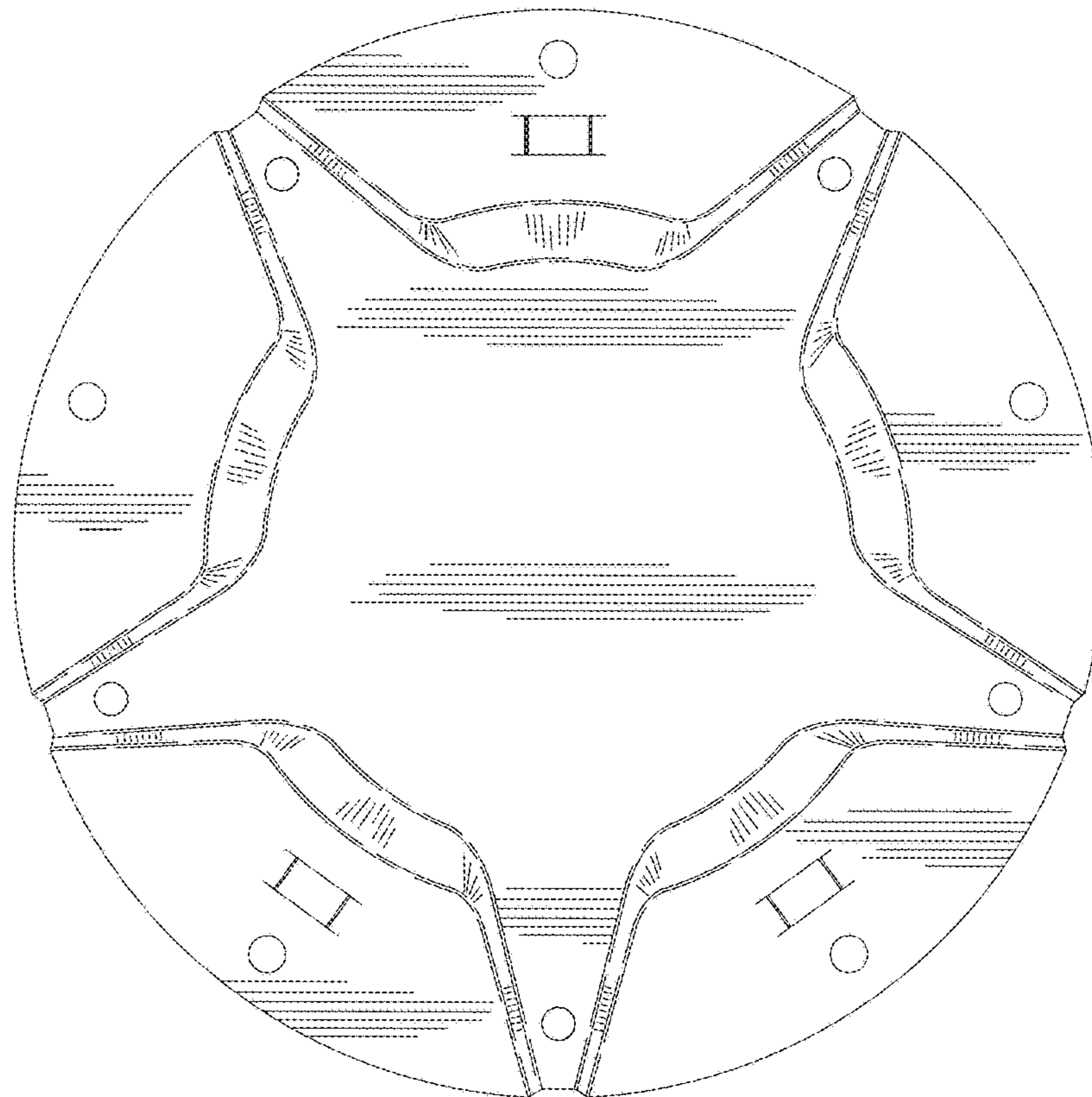


FIG - 5