



US00D796895S

(12) **United States Design Patent**  
**Blaise**

(10) **Patent No.:** **US D796,895 S**

(45) **Date of Patent:** **\*\* Sep. 12, 2017**

(54) **STEAM BASKET FOR FOOD PREPARATION APPLIANCE**

41/026; A01K 41/04; A23B 5/00; A23B 5/005; A23B 5/0052; B65D 11/02

See application file for complete search history.

(71) Applicant: **SEB S.A.**, Ecully (FR)

(56) **References Cited**

(72) Inventor: **Nicolas Blaise**, Caen (FR)

U.S. PATENT DOCUMENTS

(73) Assignee: **SEB S.A.**, Ecully (FR)

D425,360 S \* 5/2000 Dobson ..... D7/360  
D429,596 S \* 8/2000 Hlava ..... D7/360

(\*\*) Term: **15 Years**

(Continued)

(21) Appl. No.: **29/539,658**

*Primary Examiner* — Barbara Fox

*Assistant Examiner* — Catherine Posthauer

(22) Filed: **Sep. 16, 2015**

(74) *Attorney, Agent, or Firm* — Loeb & Loeb LLP

(30) **Foreign Application Priority Data**

(57) **CLAIM**

The ornamental design for a steam basket for food preparation appliance, as shown and described.

Mar. 30, 2015 (EM) ..... 002671750-0001

**DESCRIPTION**

(51) **LOC (10) Cl.** ..... **07-02**

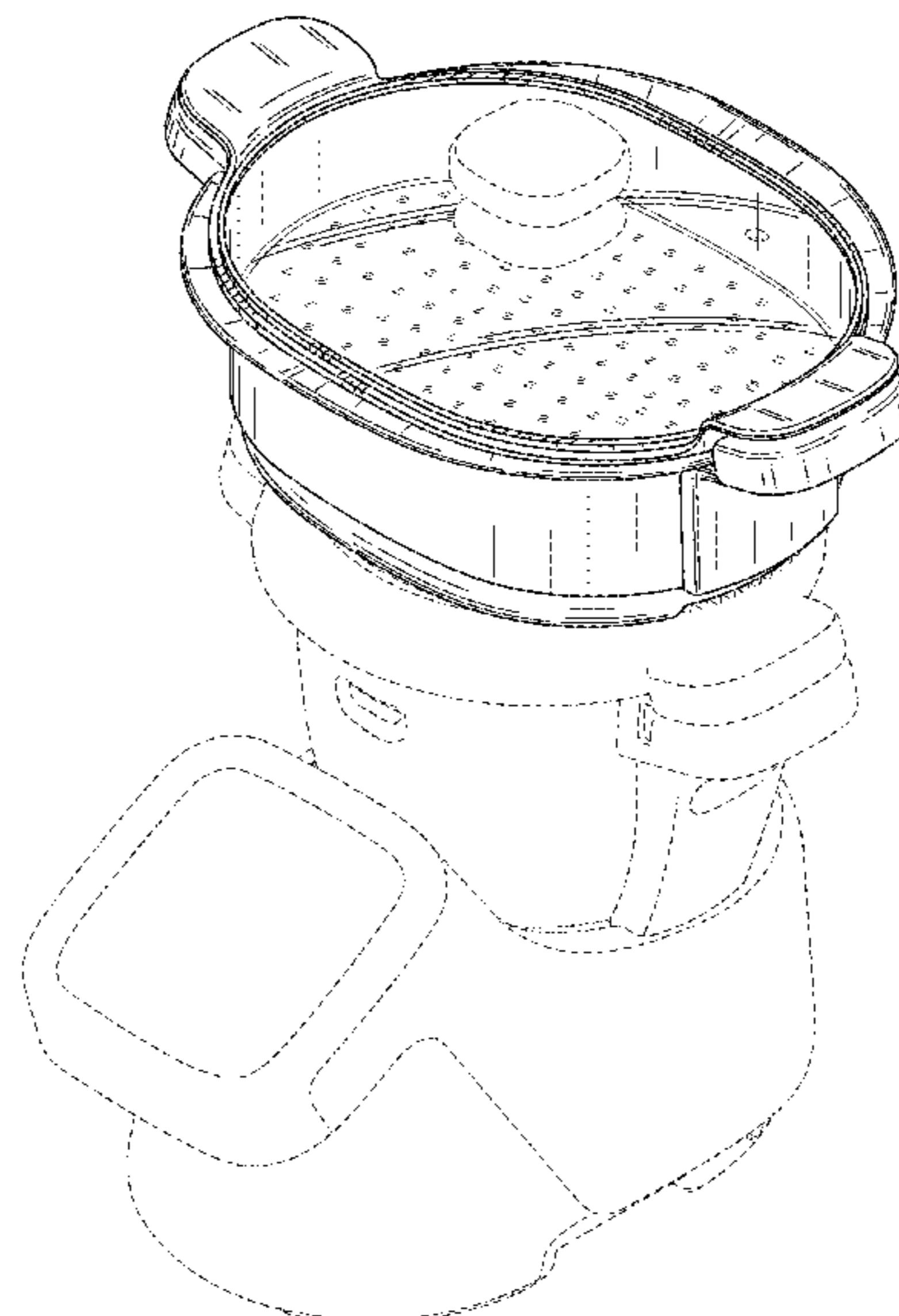
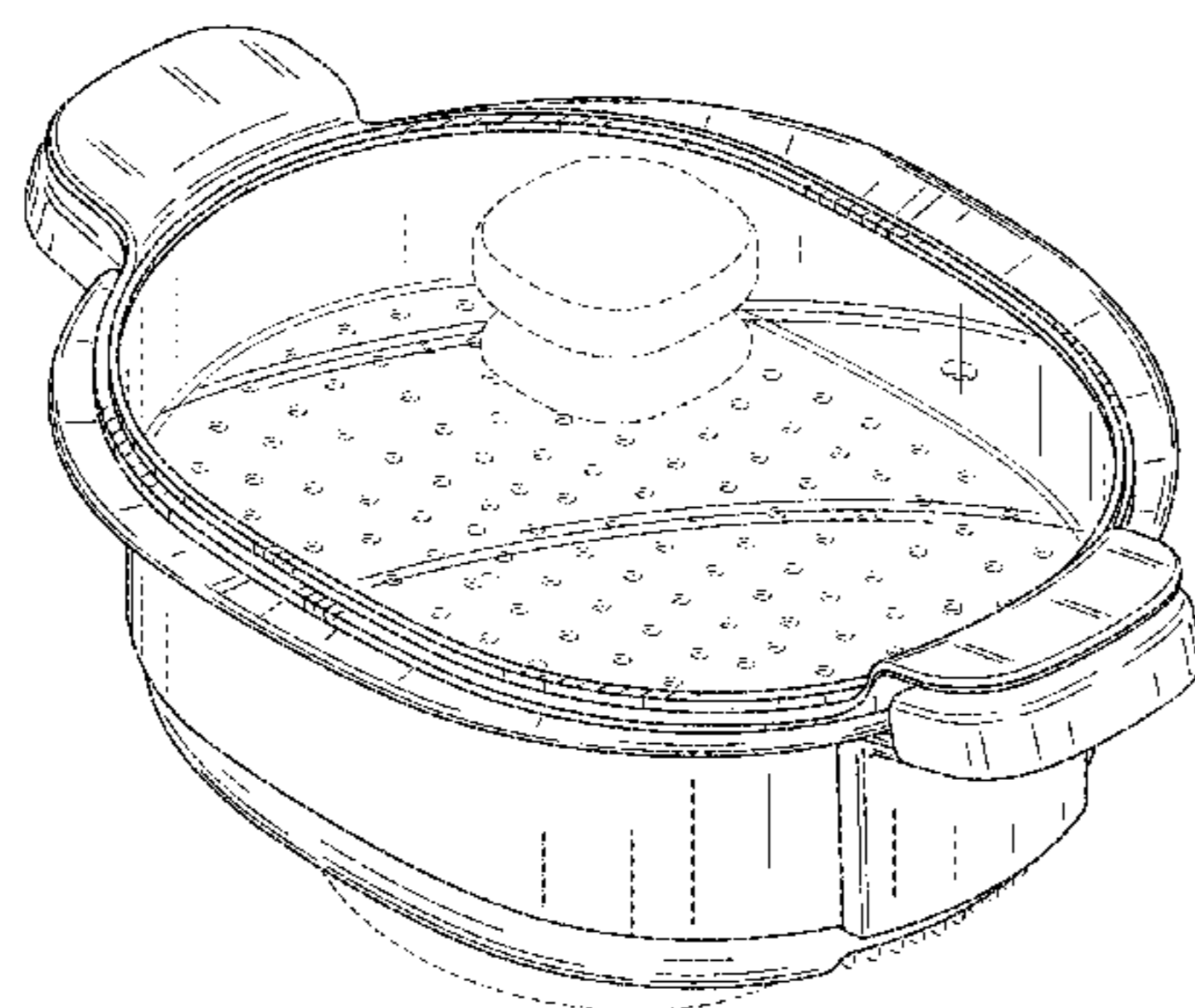
(52) **U.S. Cl.**  
USPC ..... **D7/360; D7/354; D7/355; D7/356; D7/362**

(58) **Field of Classification Search**

USPC .... D3/201, 202, 203.1, 270, 271.1; D6/672, D6/674, 677, 707.15; D7/323, 329–332, D7/337–339, 346–347, 350.1–350.4, D7/353–368, 391, 392.1, 393–398, D7/402–406, 409, 511, 515, 523, 526, D7/530, 531, 534.1, 538, 542, 543, 551, D7/553.1, 553.2, 553.7, 554.1, 554.4, D7/560–566, 584–588, 600.1, 601–615; D9/414, 418, 420, 430, 432  
CPC ..... A47G 19/12; A47J 27/00; A47J 27/002; A47J 27/004; A47J 27/08; A47J 27/21; A47J 27/58; A47J 35/025; A47J 37/00; A47J 37/10; A47J 37/101; A47J 37/103; A47J 37/1204; A47J 37/0704; A47J 45/061; A47J 45/065; A47J 45/071; A47J 45/08; A47J 29/00; A47J 29/02; A47J 29/04; A47J 29/06; A47J 36/025; H05B 6/06; H05B 6/12; A01K 41/02; A01K

FIG. 1 is a perspective view of a steam basket for food preparation appliance showing my new design;  
FIG. 2 is a front elevational view of the steam basket for food preparation appliance of FIG. 1;  
FIG. 3 is a back elevational view of the steam basket for food preparation appliance of FIG. 1;  
FIG. 4 is a right side elevational view of the steam basket for food preparation appliance of FIG. 1;  
FIG. 5 is a left side elevational view of the steam basket for food preparation appliance of FIG. 1;  
FIG. 6 is a top view of the steam basket for food preparation appliance of FIG. 1;  
FIG. 7 is a bottom view of the steam basket for food preparation appliance of FIG. 1; and,  
FIG. 8 is a perspective view of the steam basket for food preparation appliance of FIG. 1, shown in an environmental usage position.  
The broken lines shown in the drawings illustrate environmental subject matter and portions of the steam basket for food preparation that form no part of the claimed design.

**1 Claim, 8 Drawing Sheets**



(56)

References Cited

U.S. PATENT DOCUMENTS

D444,664 S \* 7/2001 Dobson ..... D7/354  
 D444,993 S \* 7/2001 Dobson ..... D7/354  
 D444,994 S \* 7/2001 Kalina ..... D7/360  
 D455,040 S \* 4/2002 Pannozzo ..... D7/360  
 D556,504 S \* 12/2007 Averty ..... D7/360  
 D568,676 S \* 5/2008 Steiner ..... D7/354  
 D575,579 S \* 8/2008 Ball ..... D7/360  
 D590,654 S \* 4/2009 Perkins ..... D7/354  
 D628,849 S \* 12/2010 Tetreault ..... D7/354  
 D635,818 S \* 4/2011 Tse ..... D7/354  
 D641,202 S \* 7/2011 Bock ..... D7/354  
 D642,856 S \* 8/2011 Bock ..... D7/354  
 D697,363 S \* 1/2014 Tu ..... D7/354  
 D701,416 S \* 3/2014 Day ..... D7/354  
 D713,197 S \* 9/2014 Seyers ..... D7/354

2005/0145615 A1\* 7/2005 Schaffeld ..... A47J 45/065  
 219/440  
 2006/0130669 A1\* 6/2006 Crow ..... A47J 45/061  
 99/403  
 2007/0221651 A1\* 9/2007 Kristina ..... A47J 27/004  
 219/432  
 2010/0251902 A1\* 10/2010 Schandel ..... A47J 27/004  
 99/348  
 2011/0147365 A1\* 6/2011 Pellerin ..... A47J 27/004  
 219/440  
 2012/0223067 A1\* 9/2012 Gaynor ..... A47J 36/10  
 219/438  
 2014/0227401 A1\* 8/2014 Kounlavong ..... A47J 27/09  
 426/231  
 2014/0339223 A1\* 11/2014 Backaert ..... A47J 36/027  
 219/732  
 2016/0198883 A1\* 7/2016 Wang ..... A47J 27/08  
 426/231

\* cited by examiner

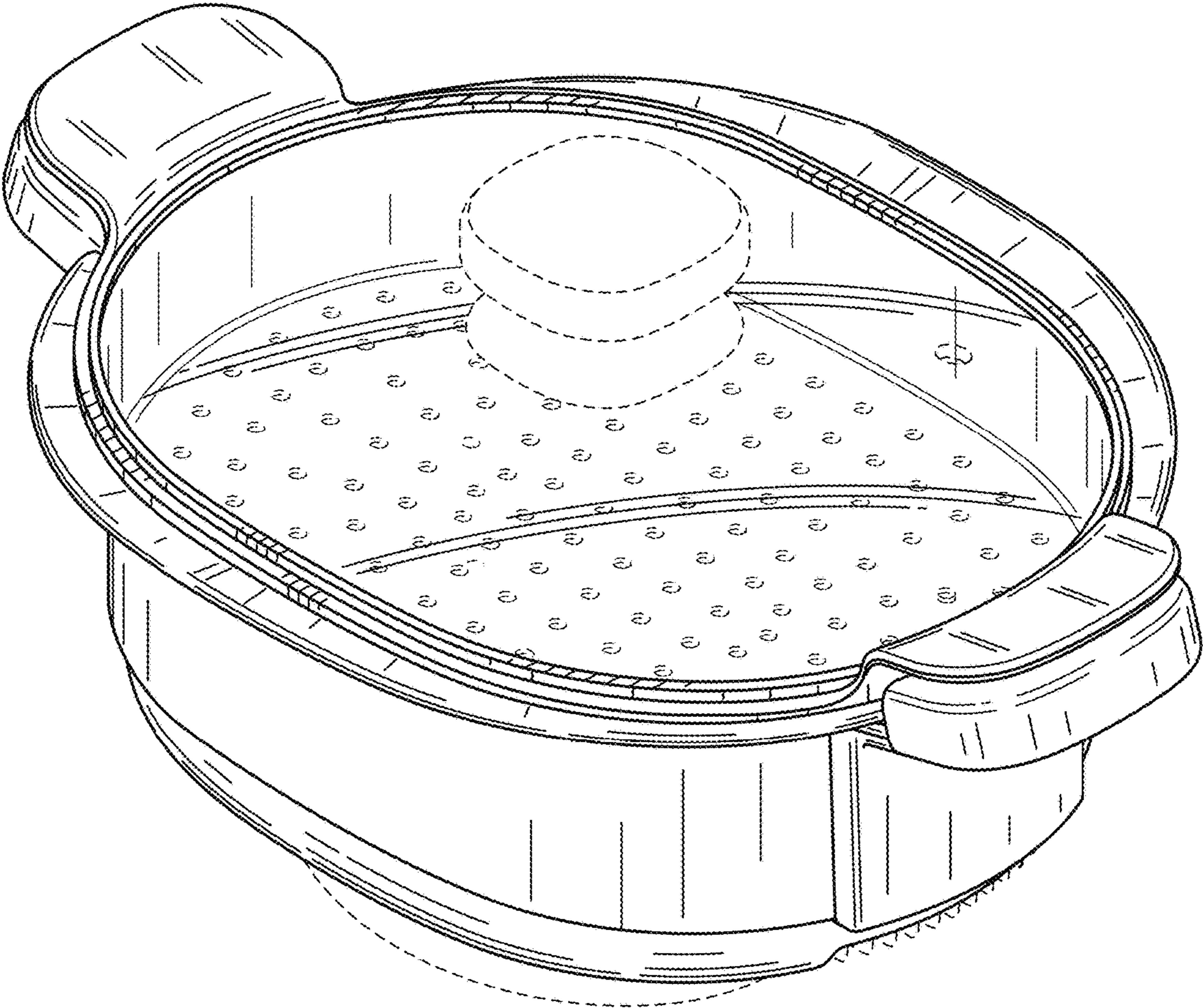


FIG. 1



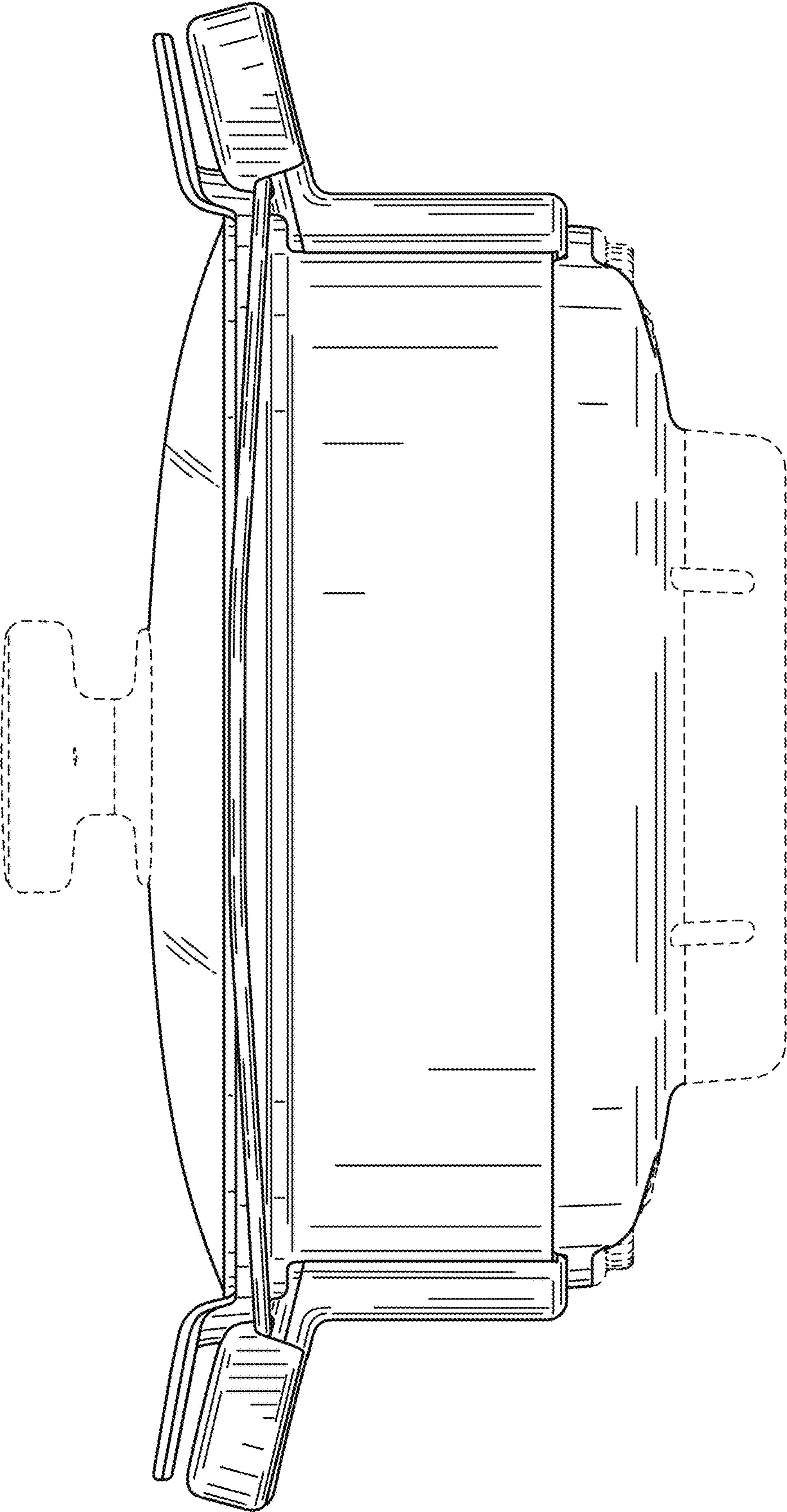


FIG. 2

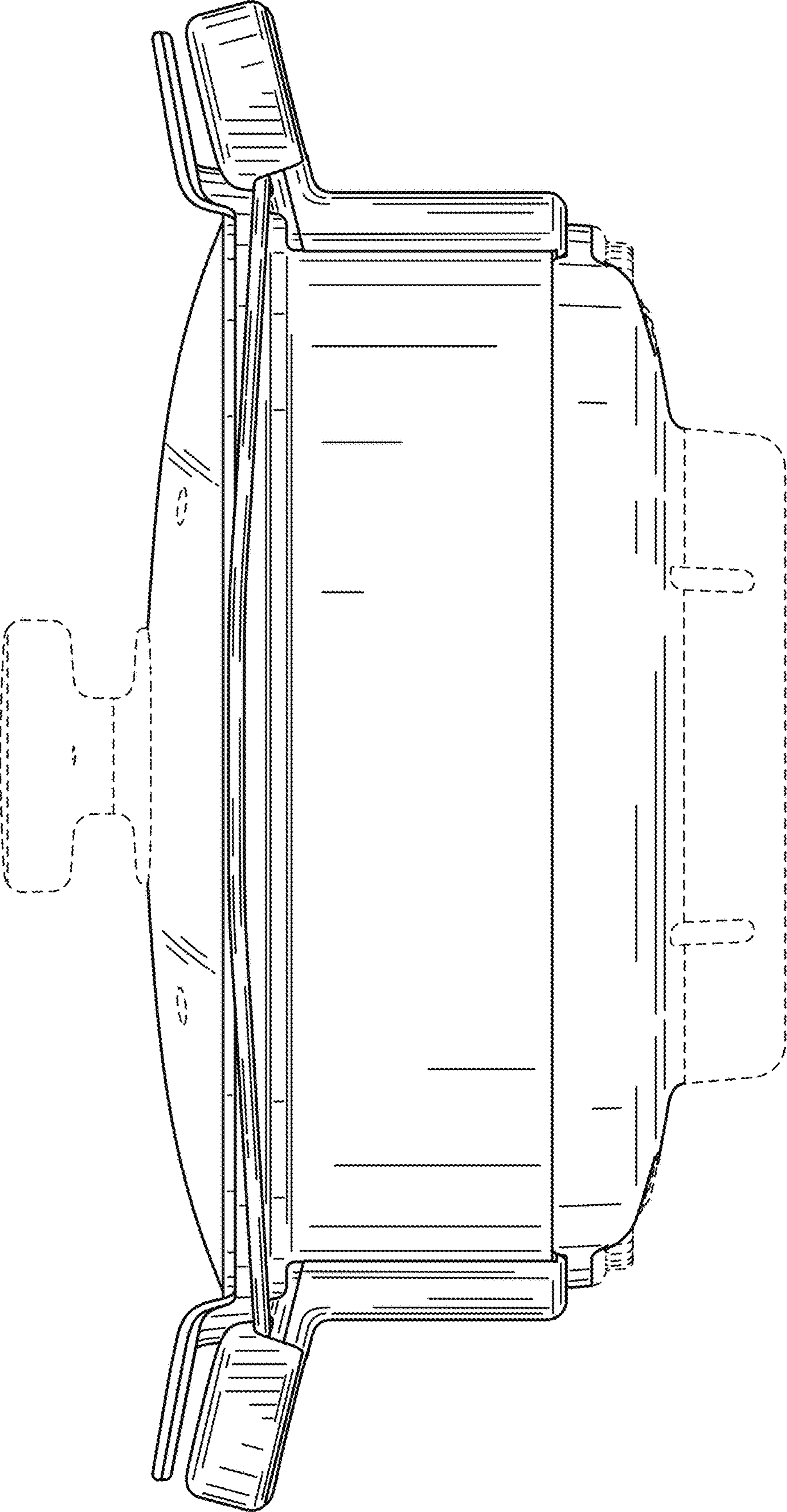


FIG. 3

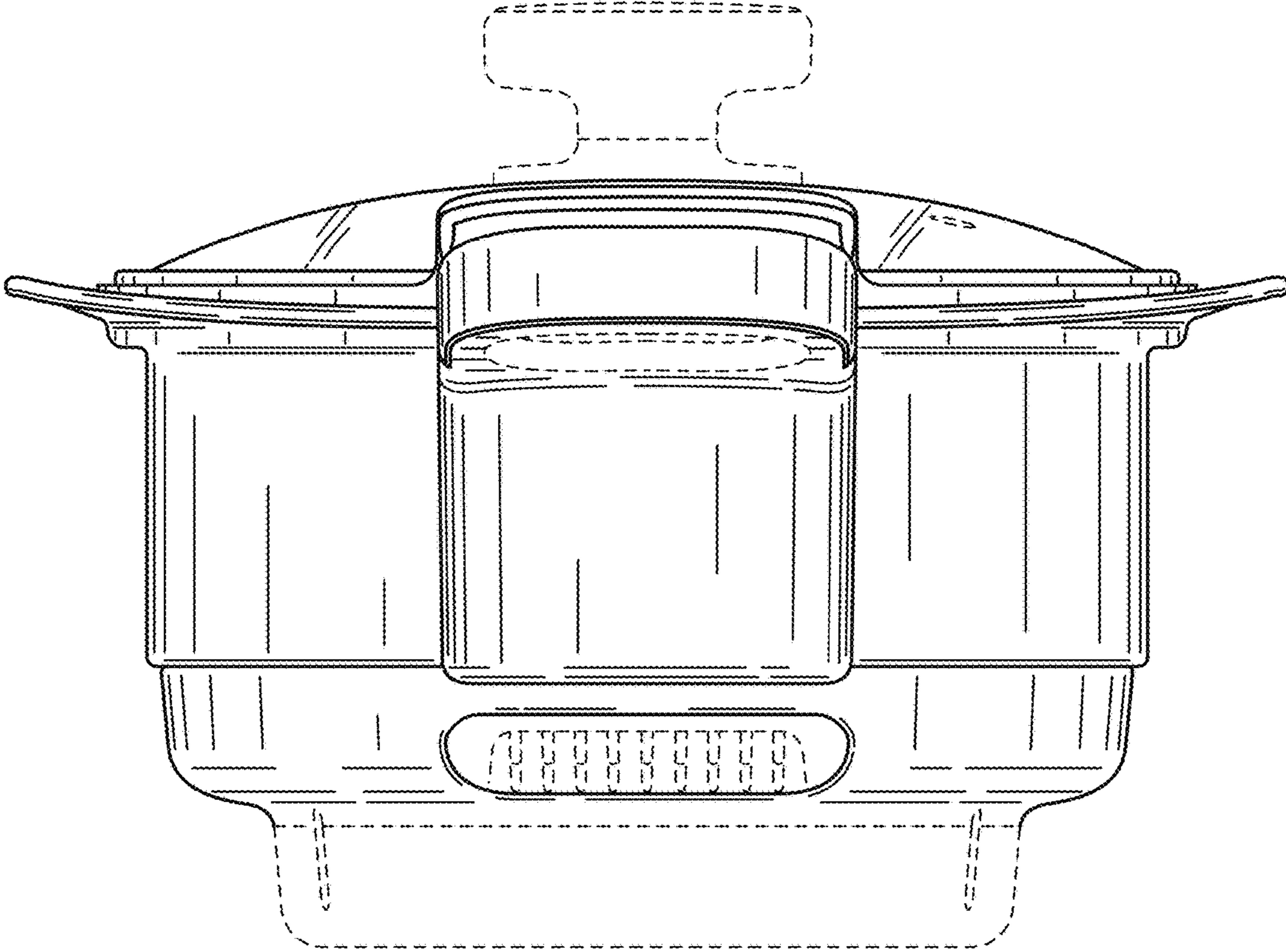


FIG. 4

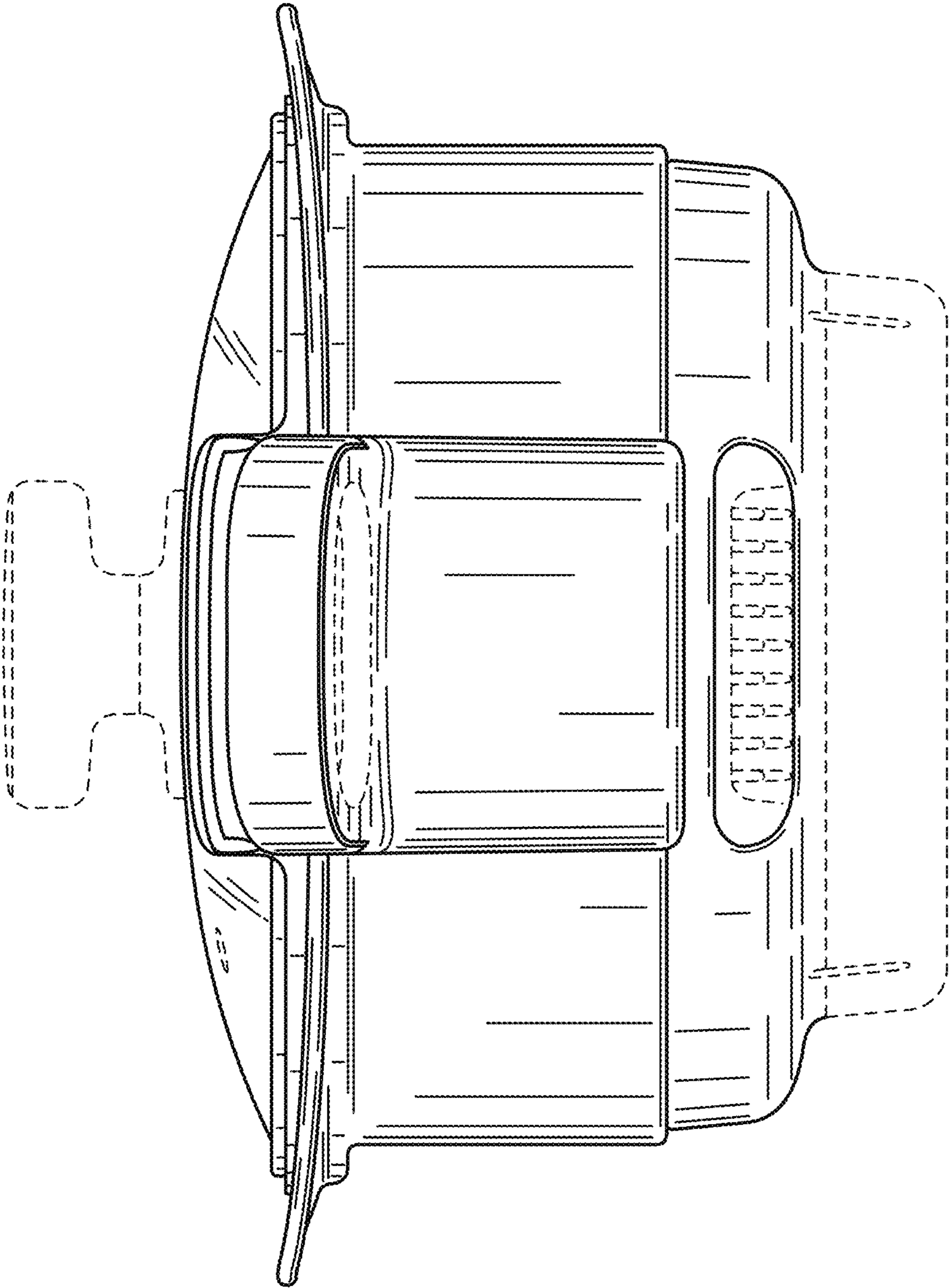


FIG. 5



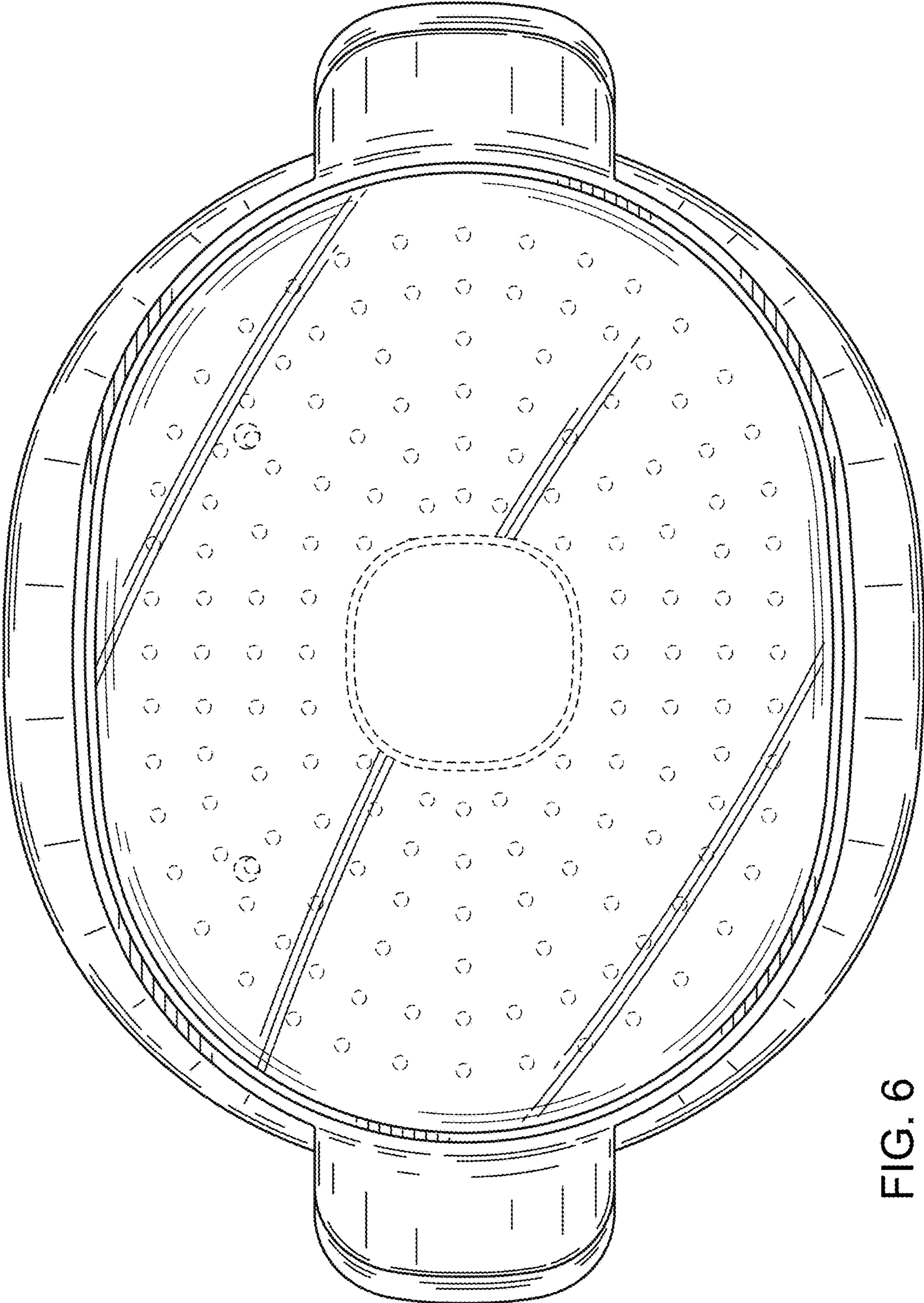


FIG. 6



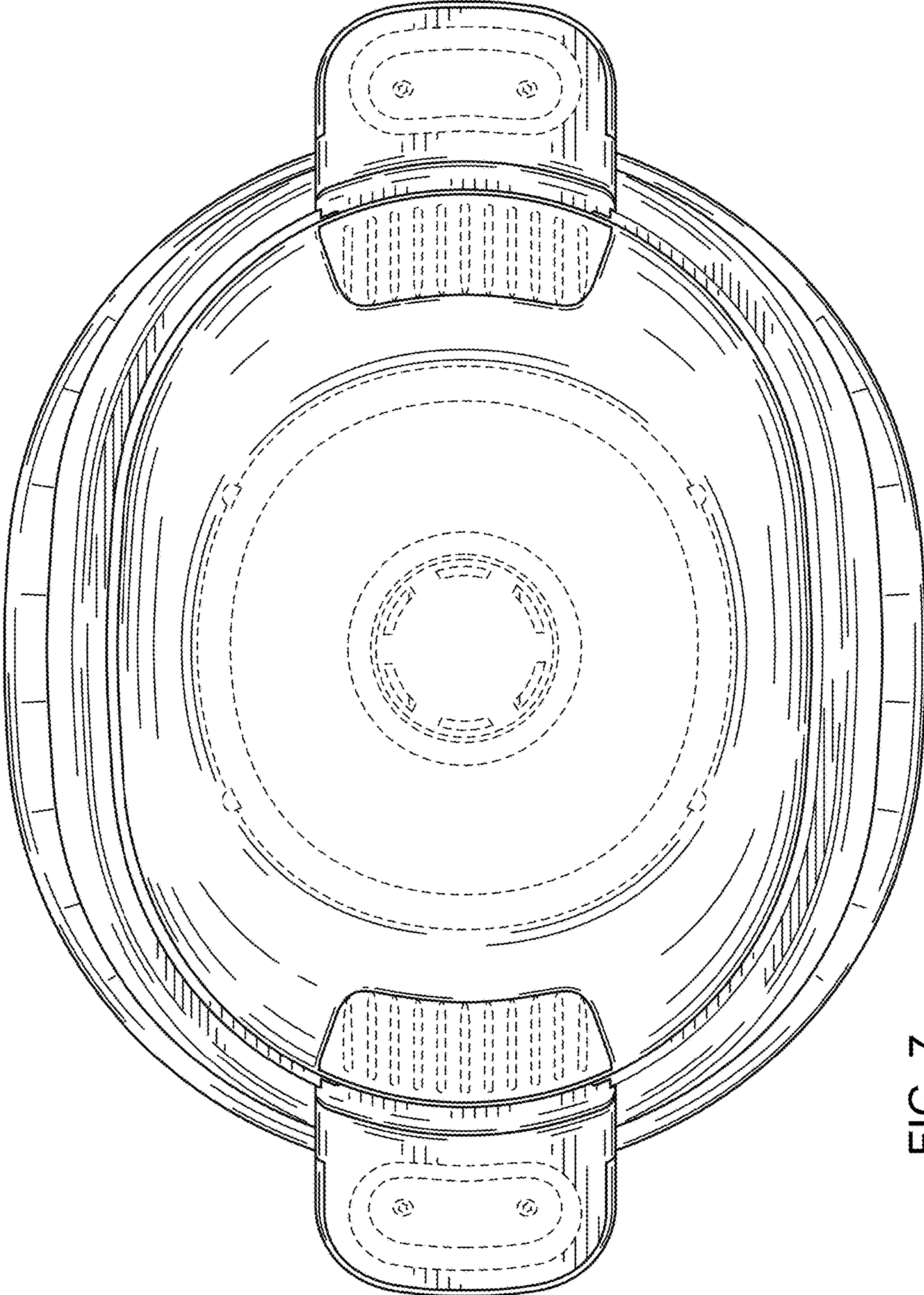


FIG. 7

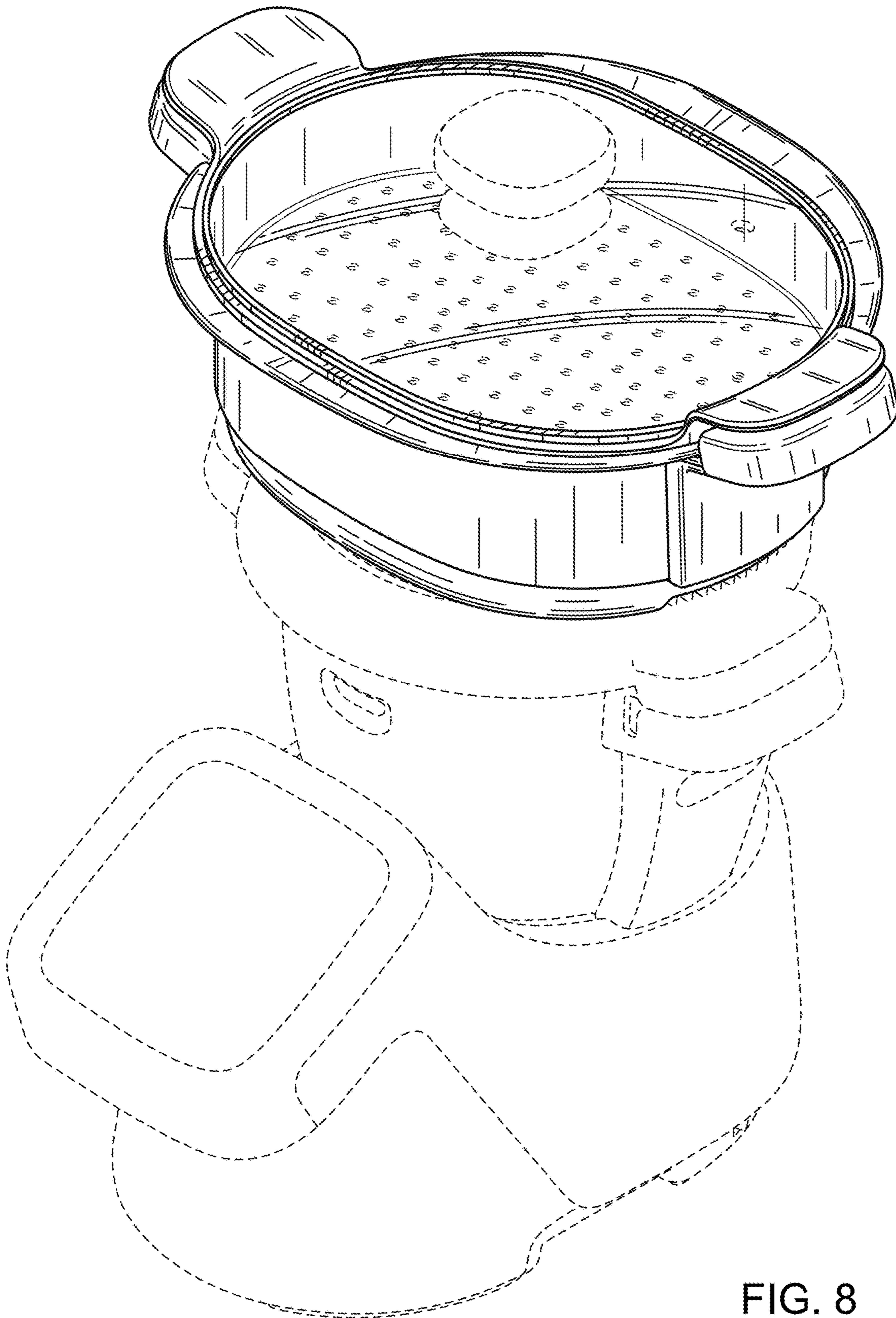


FIG. 8