



US00D796894S

(12) **United States Design Patent** (10) **Patent No.:** **US D796,894 S**
Piret (45) **Date of Patent:** **** Sep. 12, 2017**

(54) **ELECTRIC DEEP FRYER**

- (71) Applicant: **SEB**, Selongey (FR)
- (72) Inventor: **Philippe Piret**, Mezieres sur Seine (FR)
- (73) Assignee: **SEB**, Selongey (FR)
- (**) Term: **15 Years**

(21) Appl. No.: **29/540,052**

(22) Filed: **Sep. 21, 2015**

(30) **Foreign Application Priority Data**

Mar. 30, 2015 (EM) 002671982-0001

(51) **LOC (10) Cl.** **07-02**

(52) **U.S. Cl.**
USPC **D7/354**

(58) **Field of Classification Search**

USPC D7/323, 354-363, 391, 393-396, 402, D7/409, 560; D3/201, 202, 203.1, 270, D3/271.1; D9/434, 435, 438, 439, 440, D9/443, 446, 447, 448, 449, 450, 452, D9/453, 454, 456, 502, 503, 504, 529

CPC A47G 19/12; A47J 27/00; A47J 27/002; A47J 27/08; A47J 27/21; A47J 27/58; A47J 36/025; A47J 36/06; A47J 36/12; A47J 36/38; A47J 36/08; A47J 36/10; A47J 36/165; A47J 36/18; A47J 36/20; A47J 36/22; A47J 37/00; A47J 37/10; A47J 37/101; A47J 37/103; A47J 37/12; A47J 37/1204; A47J 45/061; A47J 45/071; A47J 45/08; A23L 1/01; A23L 1/0107; A23L

(Continued)

(56) **References Cited**

U.S. PATENT DOCUMENTS

- D169,876 S * 6/1953 Wagner D7/360
- D272,034 S * 1/1984 Beugnot D7/360
- D279,854 S * 7/1985 Miller D7/361

(Continued)

FOREIGN PATENT DOCUMENTS

- CN 3675138 * 8/2007
- CN 300749747 * 2/2008

(Continued)

OTHER PUBLICATIONS

T-Fal Triple Basket Deep Fryer: Announced Feb. 26, 2013 [online], site visited [Mar. 16, 2017]. Available from Internet URL: https://www.amazon.com/product-reviews/B01GG03DW4/ref=cm_cr_ar_p_d_paging_btm.*

Primary Examiner — Thomas Johannes

Assistant Examiner — Catherine Posthauer

(74) *Attorney, Agent, or Firm* — Loeb & Loeb LLP

(57) **CLAIM**

The ornamental design for an electric deep fryer, as shown and described.

DESCRIPTION

FIG. 1 is an enlarged perspective view of an electric deep fryer showing my new design;

FIG. 2 is an enlarged front elevational view of the electric deep fryer of FIG. 1;

FIG. 3 is a back elevational view of the electric deep fryer of FIG. 1;

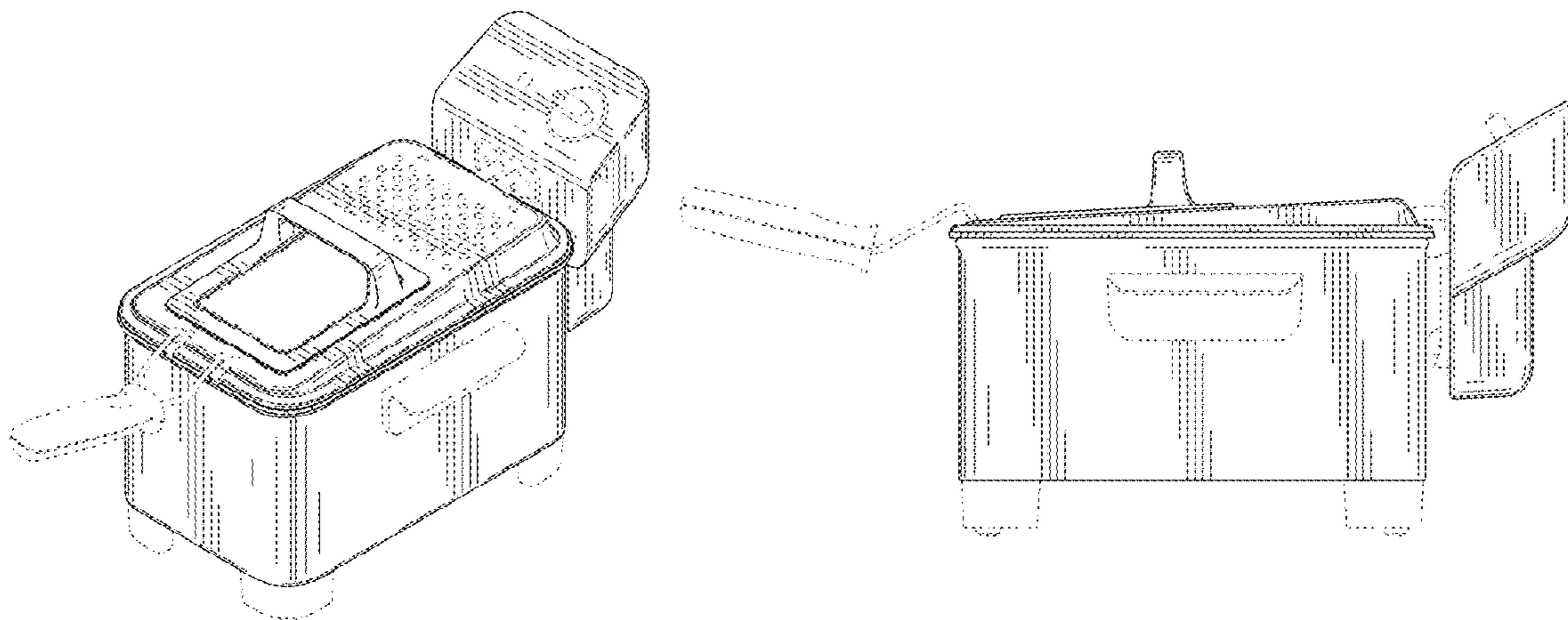
FIG. 4 is a right side elevational view of the electric deep fryer of FIG. 1;

FIG. 5 is a left side elevational view of the electric deep fryer of FIG. 1;

FIG. 6 is a top view of the electric deep fryer of FIG. 1; and,

FIG. 7 is a bottom view of the electric deep fryer of FIG. 1. The broken lines are shown for the purpose of illustrating parts of the electric deep fryer that form no part of the claim.

1 Claim, 7 Drawing Sheets



(58) **Field of Classification Search**
 CPC 1/0114; G07F 17/0064; G07F 17/0078;
 G07F 17/0085
 See application file for complete search history.

(56) **References Cited**

U.S. PATENT DOCUMENTS

D369,270 S * 4/1996 Payen D7/323
 D369,505 S * 5/1996 Philippe D7/323
 5,520,094 A * 5/1996 Lu A47J 36/165
 366/146
 D374,588 S * 10/1996 Federico D7/354
 D386,646 S * 11/1997 Wurth D7/354
 D387,243 S * 12/1997 Bumoux D7/354
 D395,786 S * 7/1998 Rossi D7/323
 D433,267 S * 11/2000 Werts D7/347
 D455,600 S * 4/2002 Barrena D7/358
 D474,937 S * 5/2003 Josancy D7/354
 D475,570 S * 6/2003 Josancy D7/354
 D489,935 S * 5/2004 Choi D7/354
 D528,853 S * 9/2006 Lloyd D7/354
 D539,599 S * 4/2007 De'Longhi D7/354
 D588,860 S * 3/2009 Tienor D7/354

D655,971 S * 3/2012 Reiner D7/354
 D677,112 S * 3/2013 Piret D7/354
 D680,800 S * 4/2013 Berge D7/354
 D680,801 S * 4/2013 Seymour D7/354
 D680,802 S * 4/2013 Seymour D7/354
 D700,471 S * 3/2014 Jozancy D7/354
 D709,731 S * 7/2014 Jozancy D7/405
 D710,149 S * 8/2014 Josancy D7/405
 D715,087 S * 10/2014 Nguyen Geslin D7/354
 D715,089 S * 10/2014 Jozancy D7/354
 D716,600 S * 11/2014 Dutruel D7/354
 D747,133 S * 1/2016 Dutruel D7/354
 D750,418 S * 3/2016 Allende Fritsch D7/354
 D760,017 S * 6/2016 Berge D7/354
 2004/0154474 A1 * 8/2004 Chan A47J 37/1276
 99/407
 2009/0205511 A1 * 8/2009 Tienor A23L 5/11
 99/403

FOREIGN PATENT DOCUMENTS

CN 300758661 * 3/2008
 CN 301032868 * 10/2009

* cited by examiner

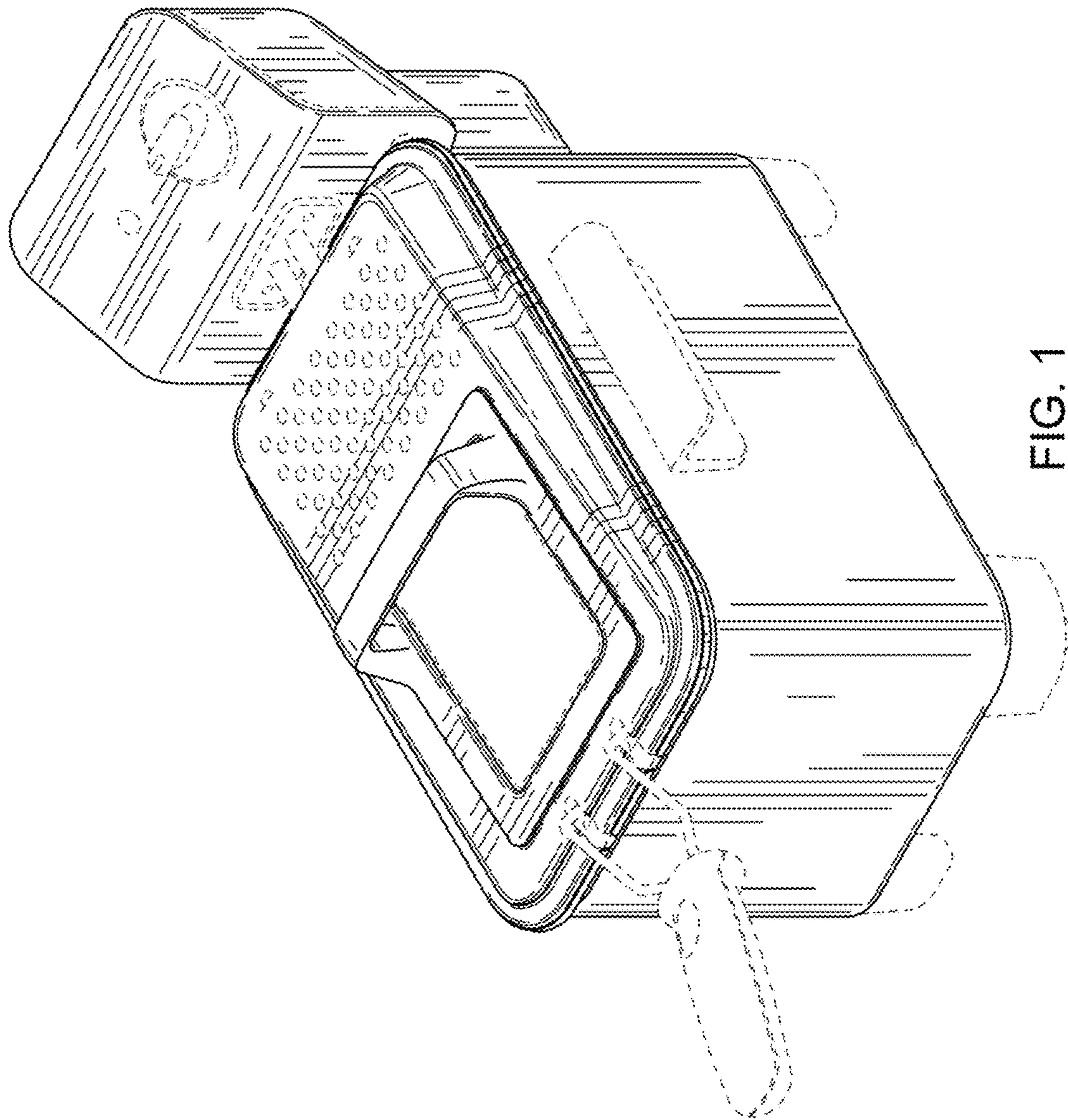


FIG. 1

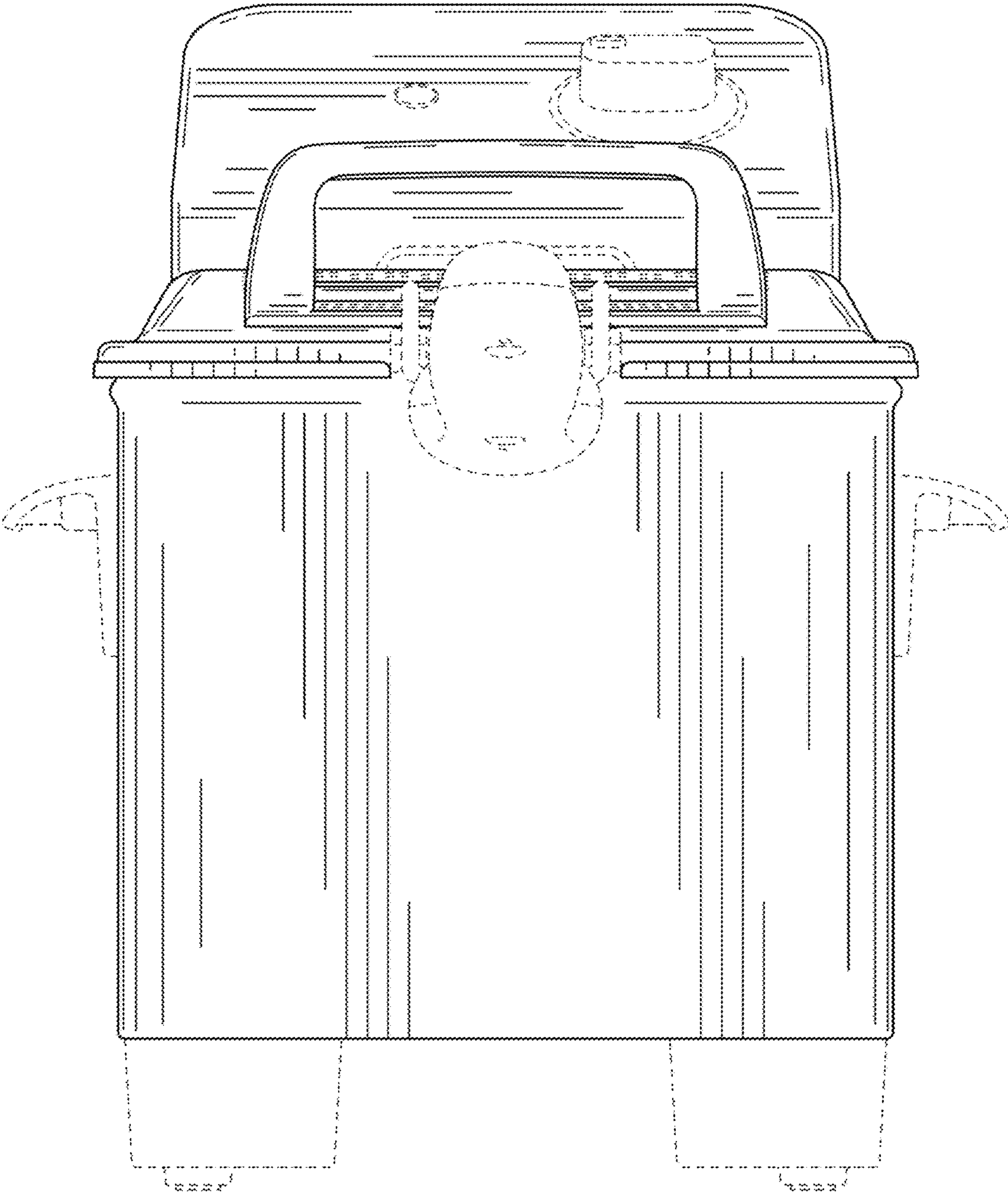


FIG. 2

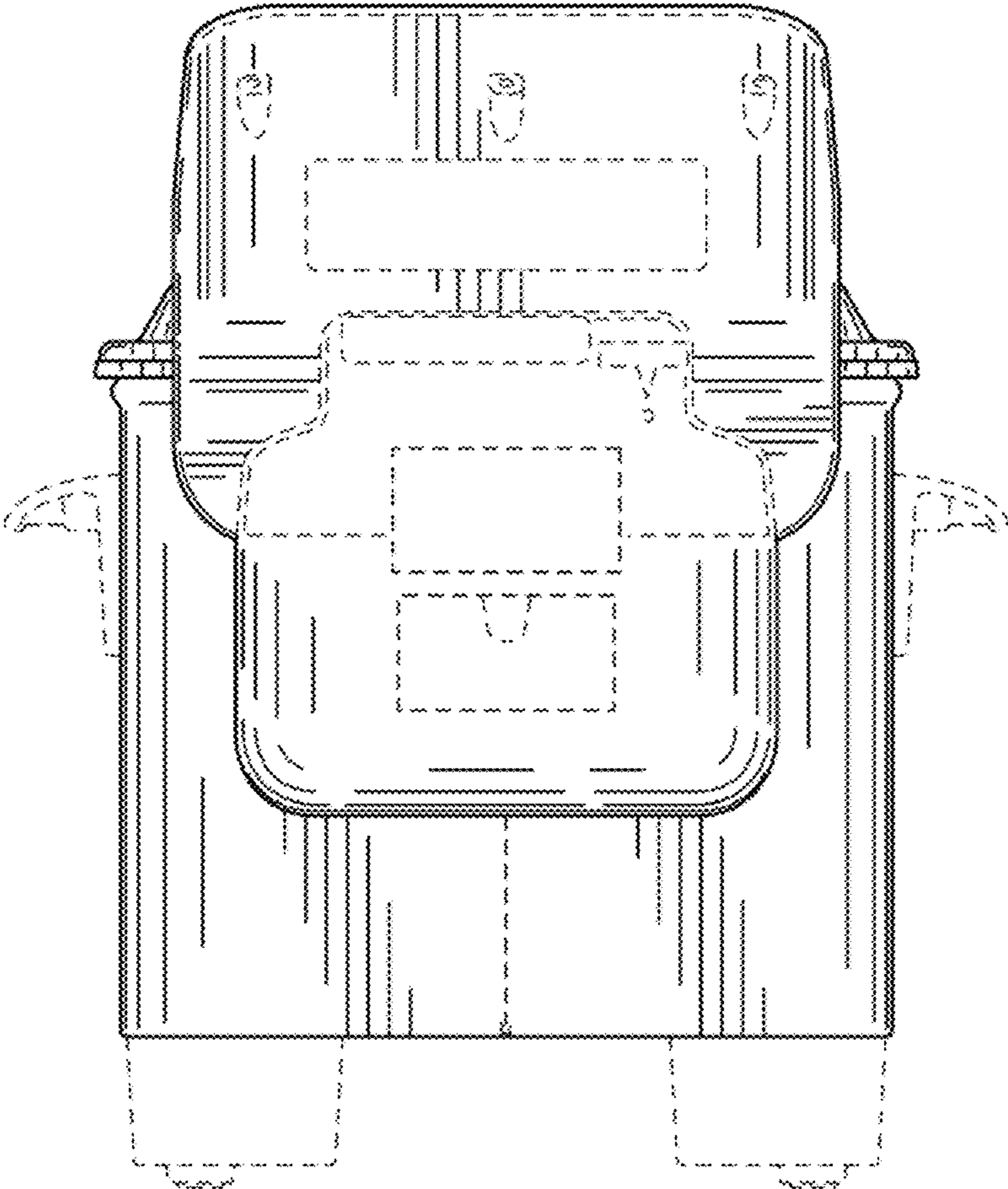


FIG. 3

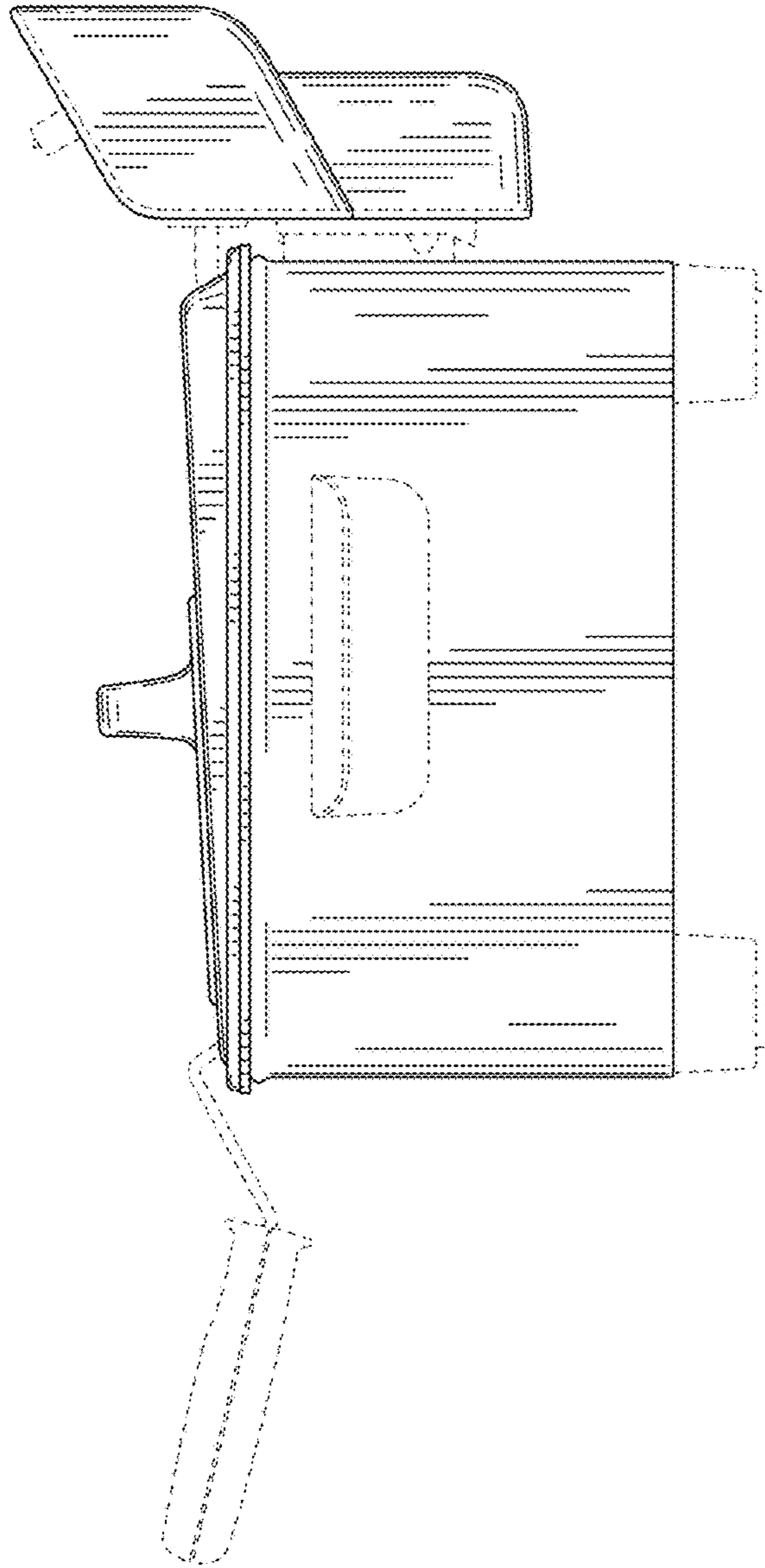


FIG. 4

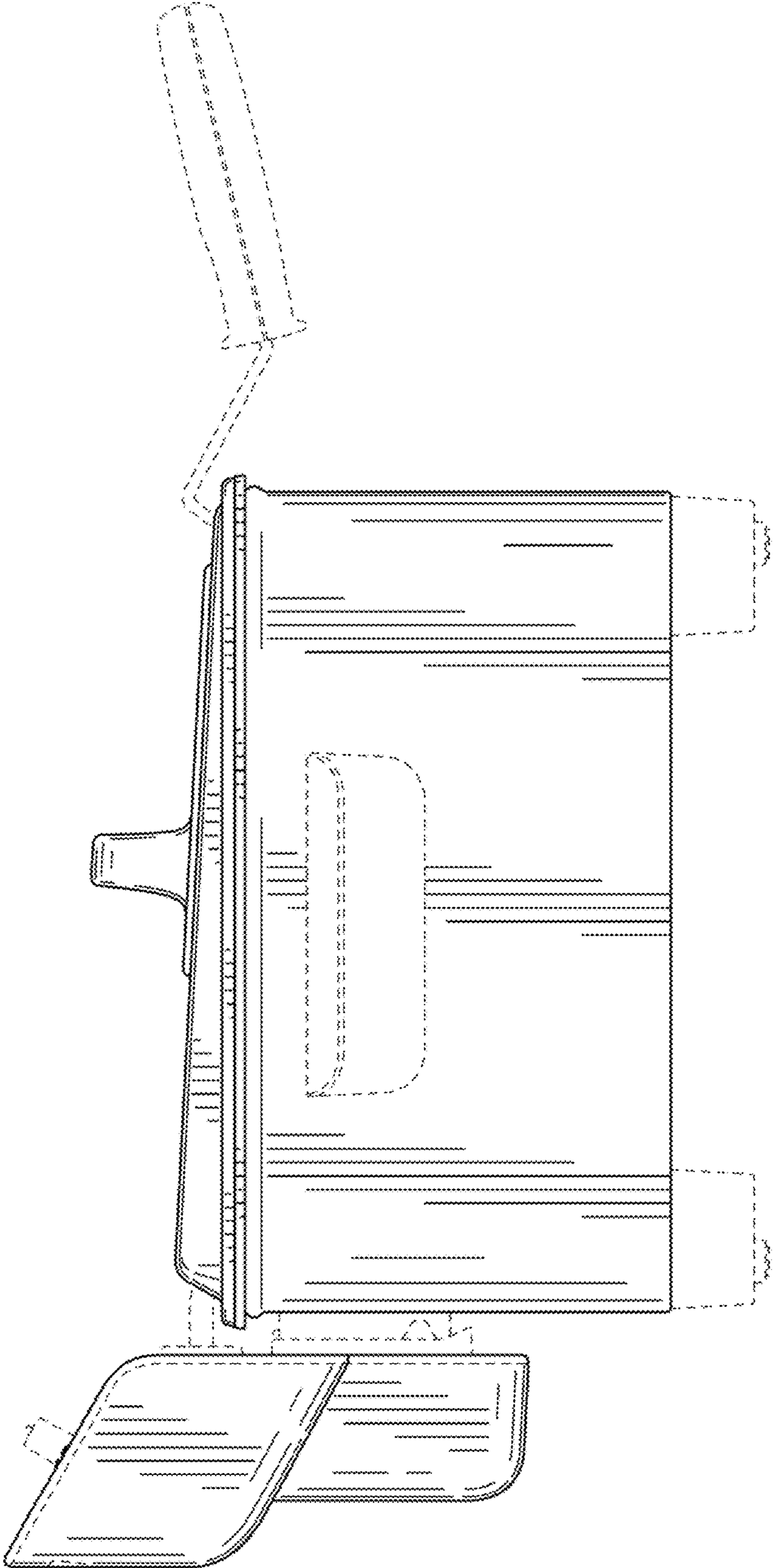


FIG. 5

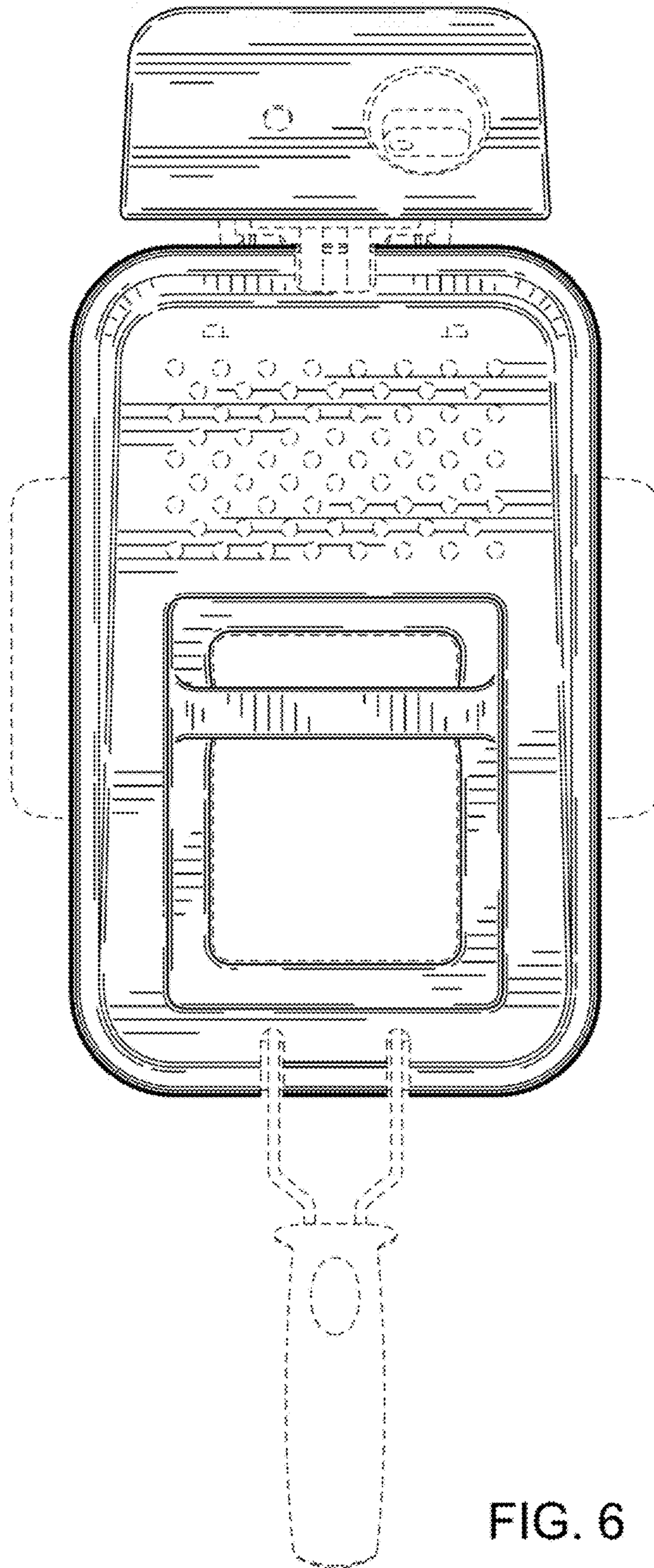


FIG. 6

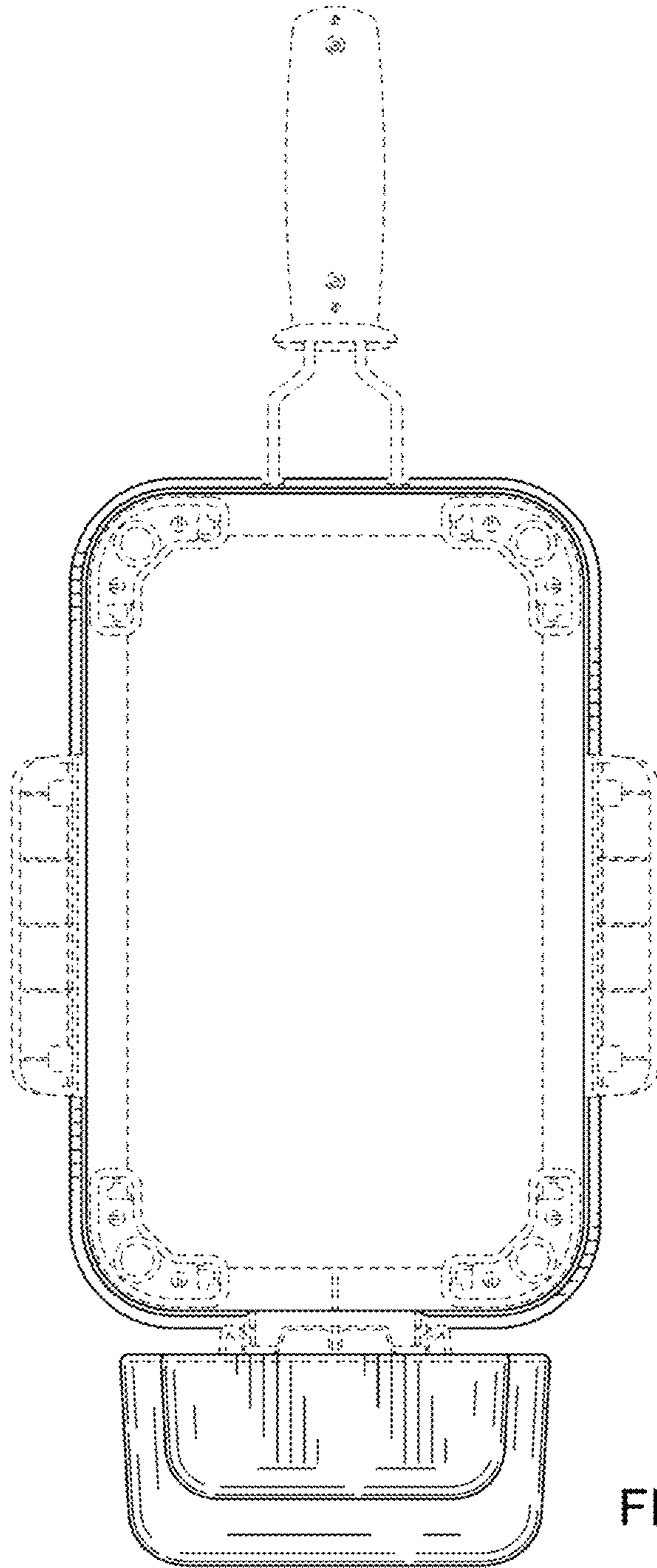


FIG. 7