



US00D796892S

(12) **United States Design Patent** (10) **Patent No.:** **US D796,892 S**
Mina (45) **Date of Patent:** **** Sep. 12, 2017**

(54) **GRILL**
(71) Applicant: **Mina Group LLC**, San Francisco, CA (US)
(72) Inventor: **Ashraf Michael Mina**, Nicasio, CA (US)

D581,199 S * 11/2008 Chau D7/334
D584,562 S * 1/2009 Chau D7/334
D586,609 S * 2/2009 Chau D7/334
D635,814 S * 4/2011 Leavens D7/334
D688,510 S * 8/2013 Stirn D7/334
D688,512 S * 8/2013 Chung D7/334

(Continued)

(73) Assignee: **The Mina Group LLC**, San Francisco, CA (US)

Primary Examiner — Manpreet Matharu

Assistant Examiner — Suzanne Tisdell

(74) *Attorney, Agent, or Firm* — Lewis Roca Rothgerber Christie LLP

(**) Term: **15 Years**

(21) Appl. No.: **29/550,324**

(57) **CLAIM**

The ornamental design for a grill, as shown and described.

(22) Filed: **Dec. 31, 2015**

DESCRIPTION

(51) **LOC (10) Cl.** **07-02**

(52) **U.S. Cl.**
USPC **D7/334**

(58) **Field of Classification Search**
USPC D7/213, 323, 324, 329, 330, 332, 334, D7/337, 339, 340, 346, 347, 362, 367
CPC G05D 7/00; F24F 13/07; F24C 5/00; F24C 5/20; F24C 3/00; F24C 3/10; F24C 3/12; F24C 15/06; F24C 15/10; F24C 15/16; F24C 15/20; F24B 3/00; F23N 5/22; B60H 3/00; B32B 15/04; A62C 3/00; A47J 43/18; A47J 37/00; A47J 37/04; A47J 37/06; A47J 37/07

See application file for complete search history.

(56) **References Cited**

U.S. PATENT DOCUMENTS

D462,227 S * 9/2002 Alden D7/334
D494,004 S * 8/2004 Chapman D7/334
D533,009 S * 12/2006 Pai D7/334
D533,010 S * 12/2006 Pai D7/334
D535,846 S * 1/2007 Debord D7/334
D560,416 S * 1/2008 Sedberry D7/334
D569,168 S * 5/2008 Pai D7/334
D571,602 S * 6/2008 Chung D7/334

FIG. 1 is a perspective view of a grill showing our new design.

FIG. 2 is a front view thereof.

FIG. 3 is a rear view thereof.

FIG. 4 is a left side view thereof.

FIG. 5 is a top view thereof.

FIG. 6 is another perspective view thereof illustrating the grill with an open cover, an open front compartment, and a removable handle having been inserted to form a support rail for trays, pans, boards, or other objects.

FIG. 7 is another perspective view thereof illustrating the grill with an open cover, an open front compartment, a removable handle having been inserted to form a support rail for trays, pans, boards, or other objects, and a removable tray having been inserted to form a support surface for food, cooking instruments, or other objects; and,

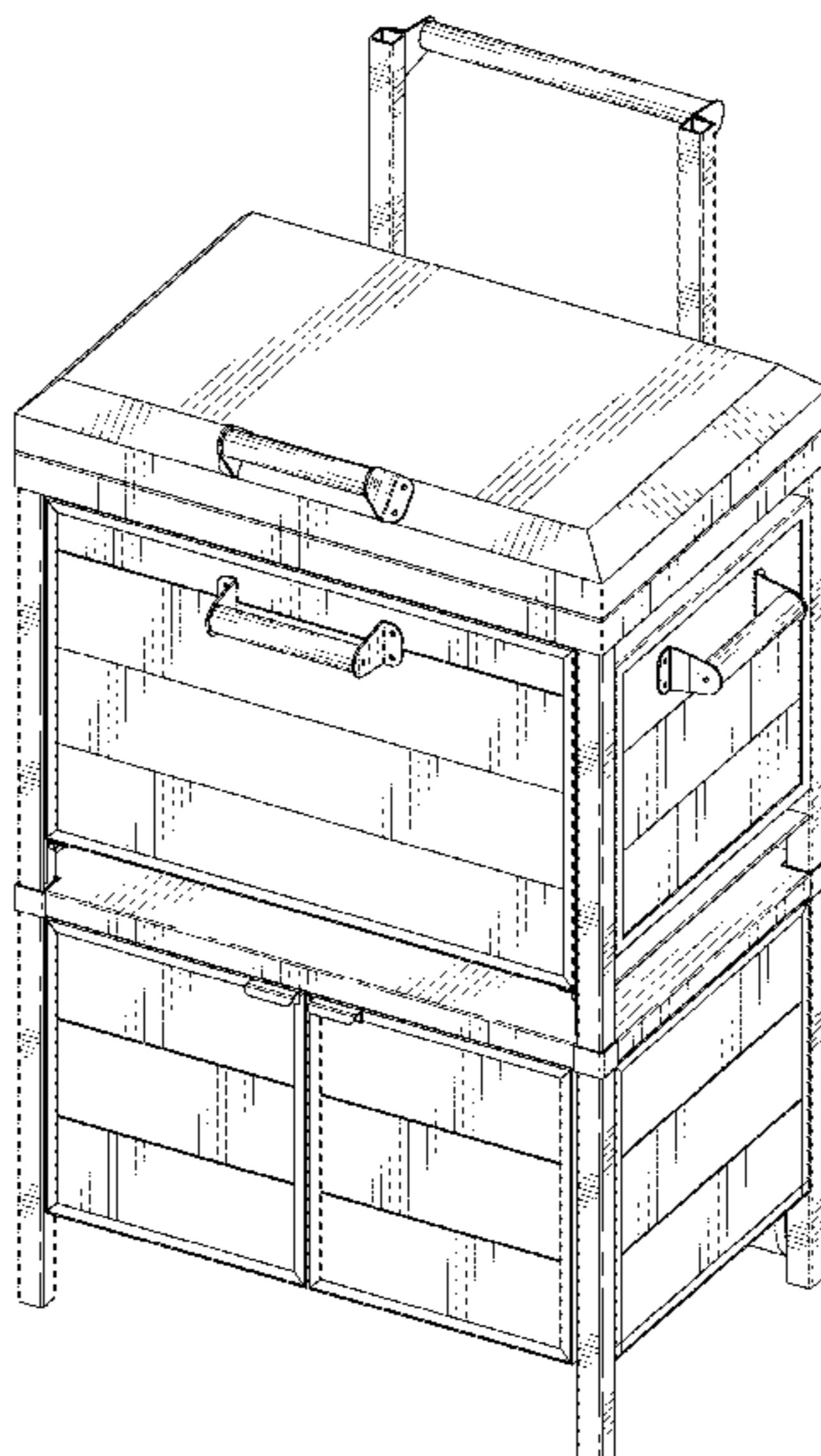
FIG. 8 is another top view thereof illustrating the grill with an open cover and an exemplary grill grate.

The right and left side views are mirror images.

The bottom view forms no part of the claimed design.

The broken lines show environmental subject matter and form no part of the claimed design.

1 Claim, 8 Drawing Sheets



(56)

References Cited

U.S. PATENT DOCUMENTS

D693,624 S * 11/2013 Chung D7/334
D694,056 S * 11/2013 Dahle D7/334
D694,568 S * 12/2013 Alden D7/334
D723,322 S * 3/2015 Strauch D7/334
D723,860 S * 3/2015 Chung D7/334
D747,911 S * 1/2016 Sheppard D34/14
D769,668 S * 10/2016 Lally D7/334
2007/0204858 A1 * 9/2007 Abelbeck F24C 3/12
126/41 R
2008/0229937 A1 * 9/2008 Stephen A47J 37/07
99/421 R
2010/0297321 A1 * 11/2010 Strauch A47J 37/041
426/523
2011/0219958 A1 * 9/2011 Noble A23B 4/044
99/473
2013/0112088 A1 * 5/2013 May A47J 37/07
99/421 H
2015/0004297 A1 * 1/2015 Pothetes A47J 37/00
426/523
2016/0198895 A1 * 7/2016 Turner A47J 37/0676
99/445
2016/0208837 A1 * 7/2016 Chang F16B 5/02
2016/0360924 A1 * 12/2016 Bruin-Slot A47J 37/0786

* cited by examiner

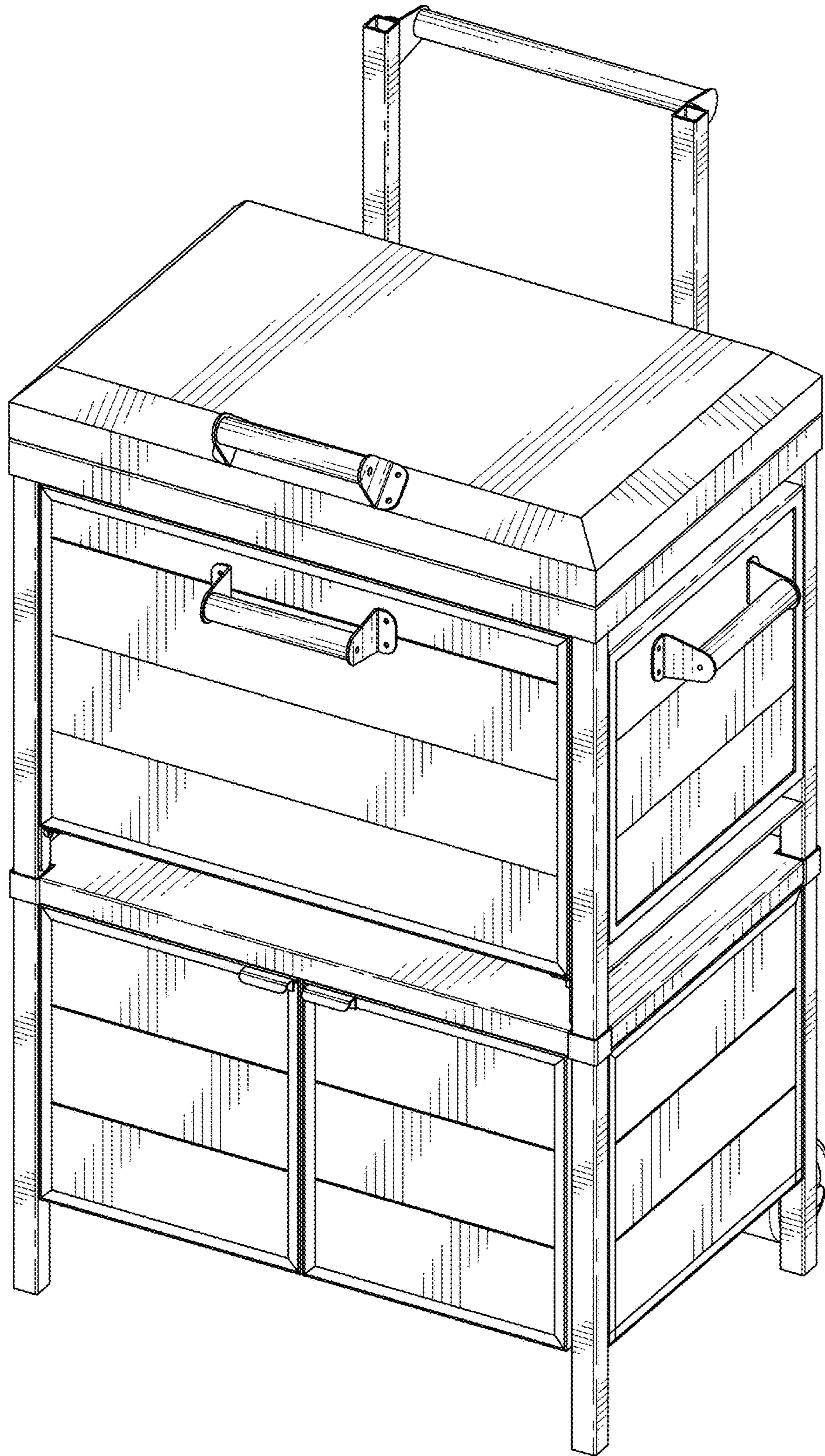


FIG. 1

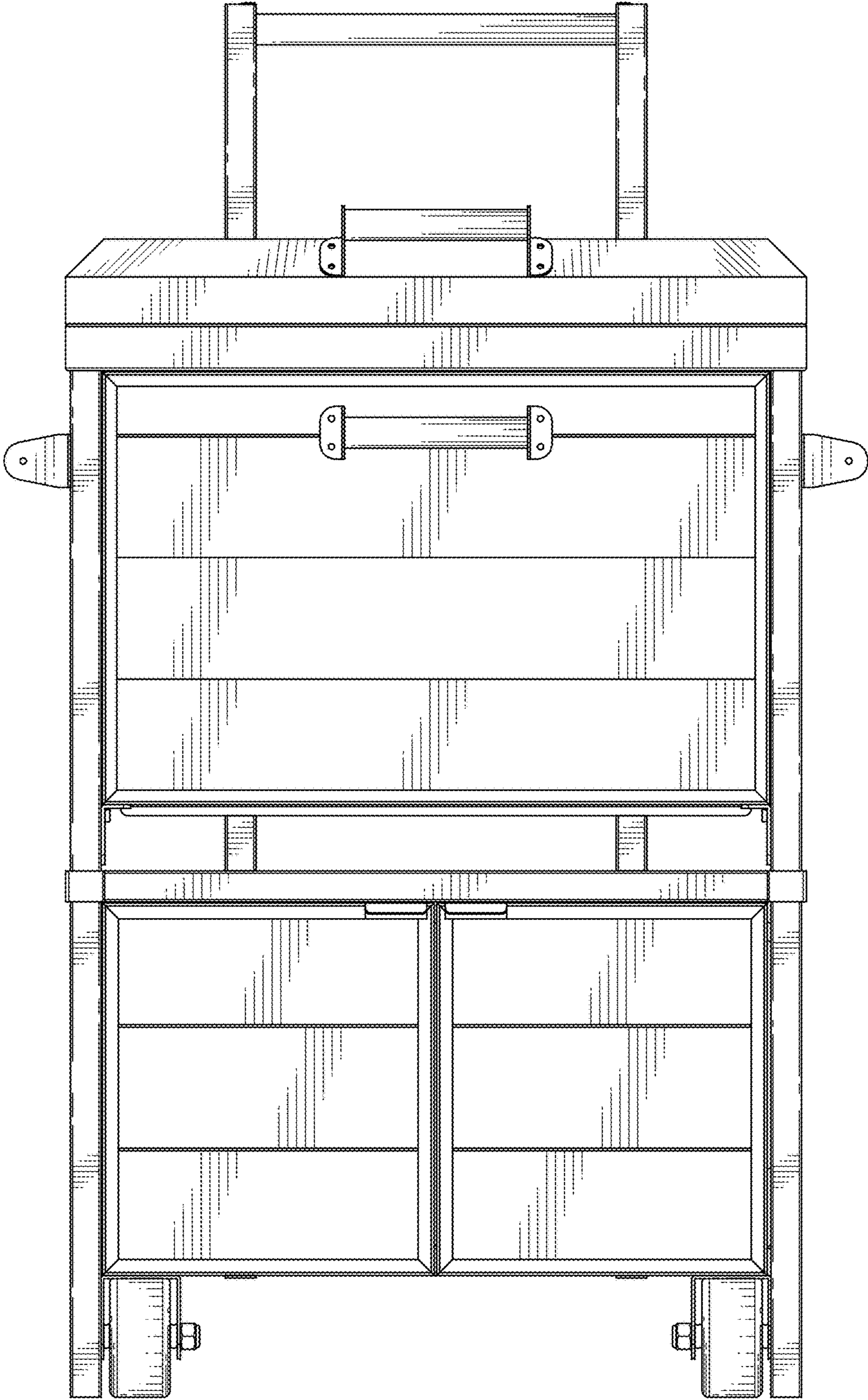


FIG. 2

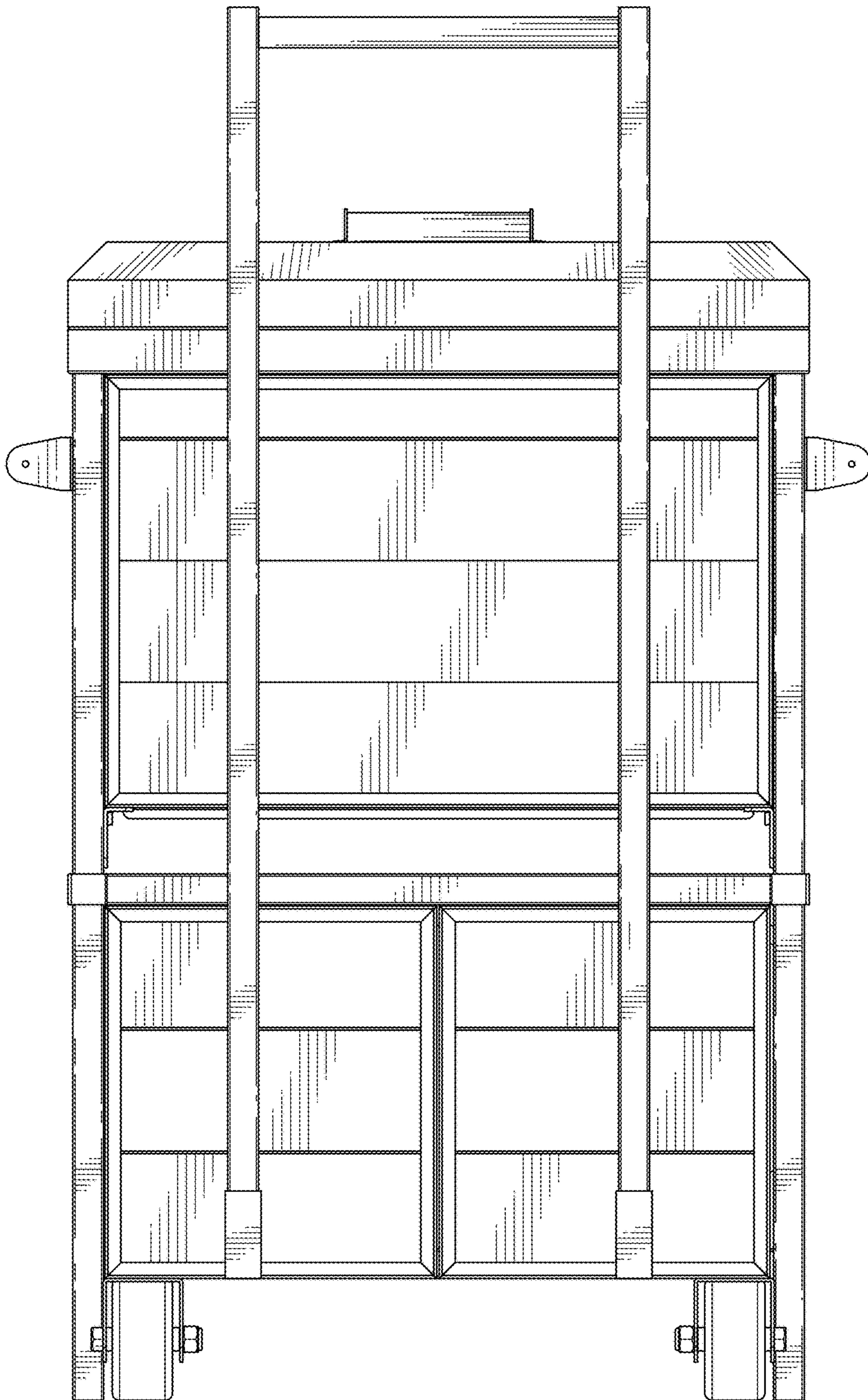


FIG. 3

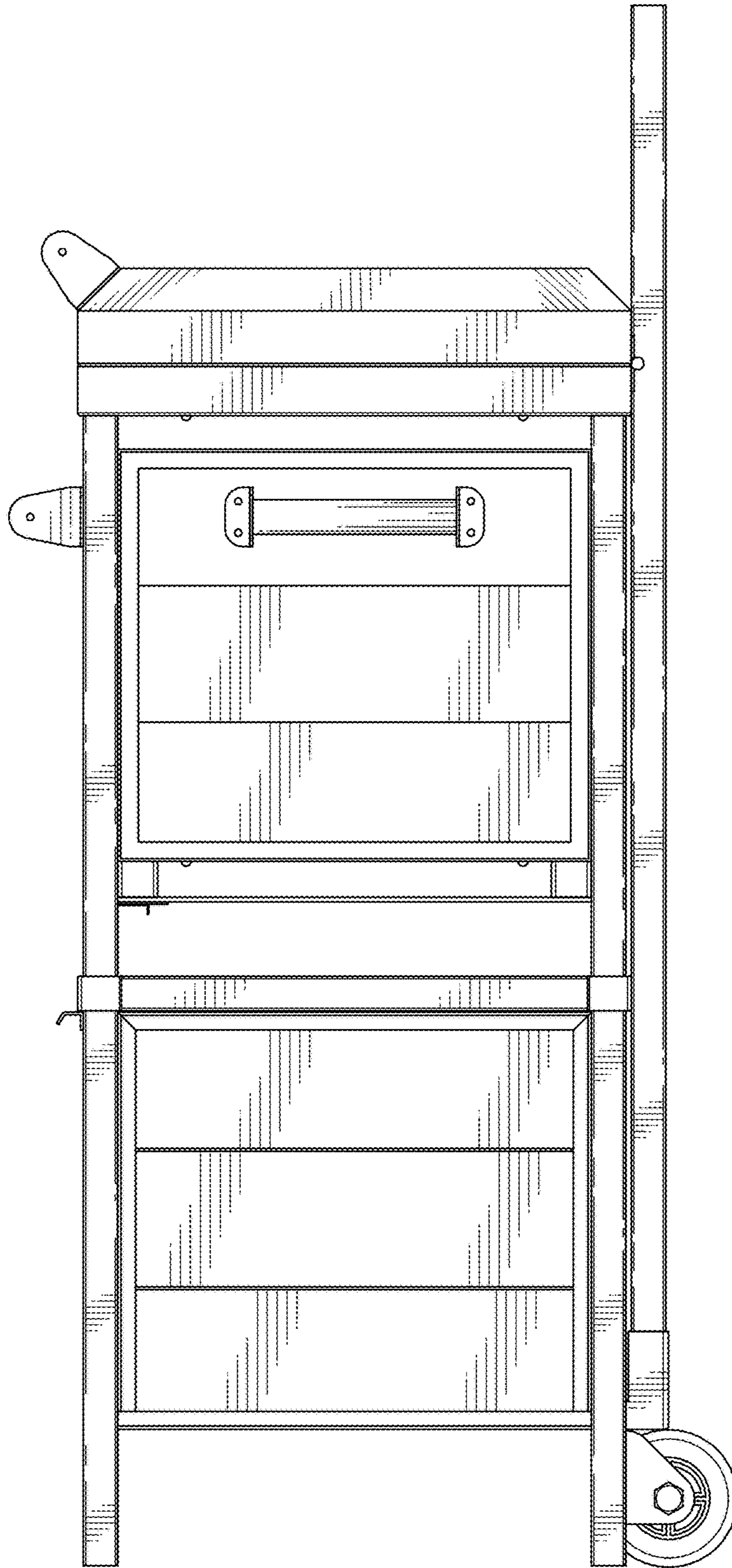


FIG. 4

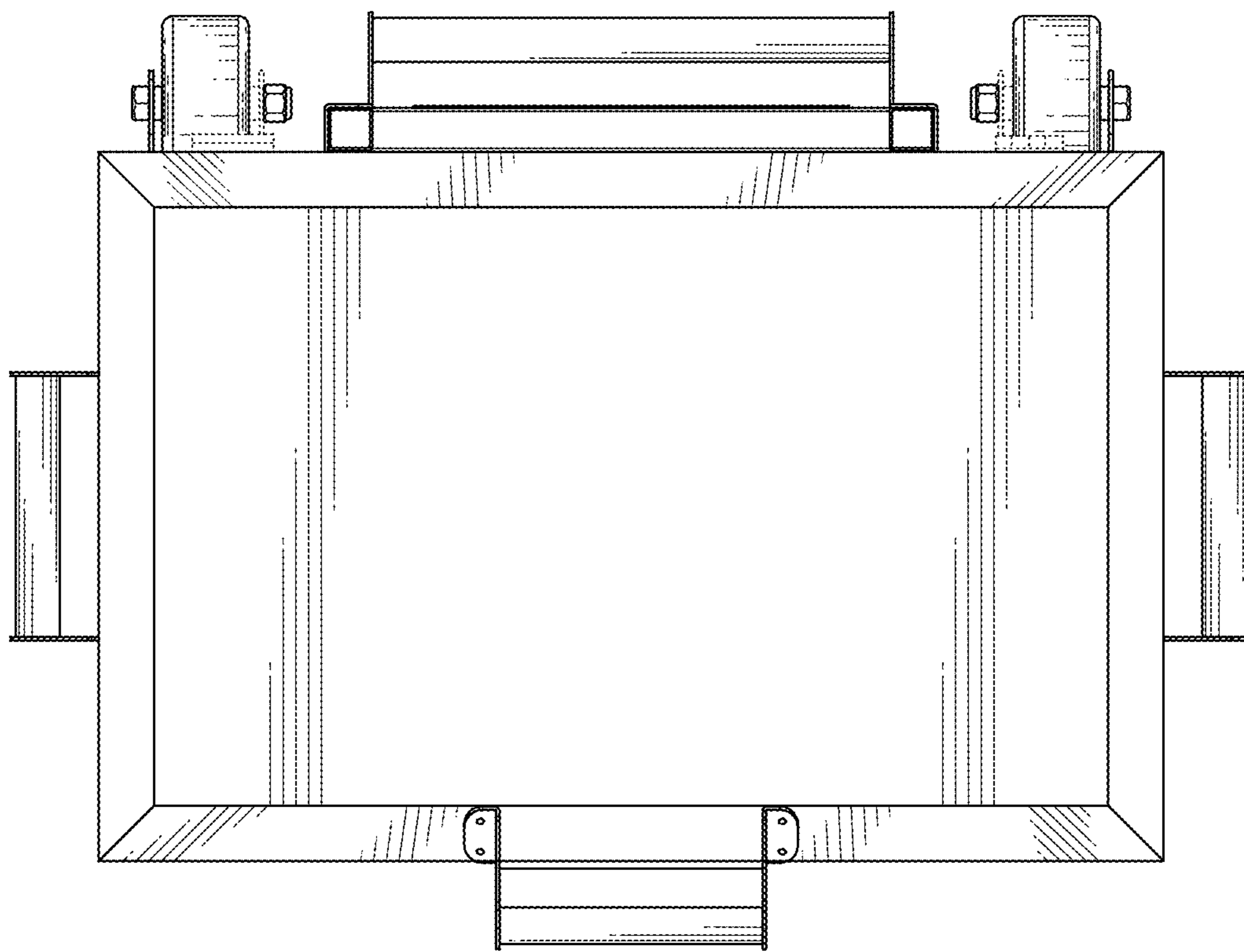


FIG. 5

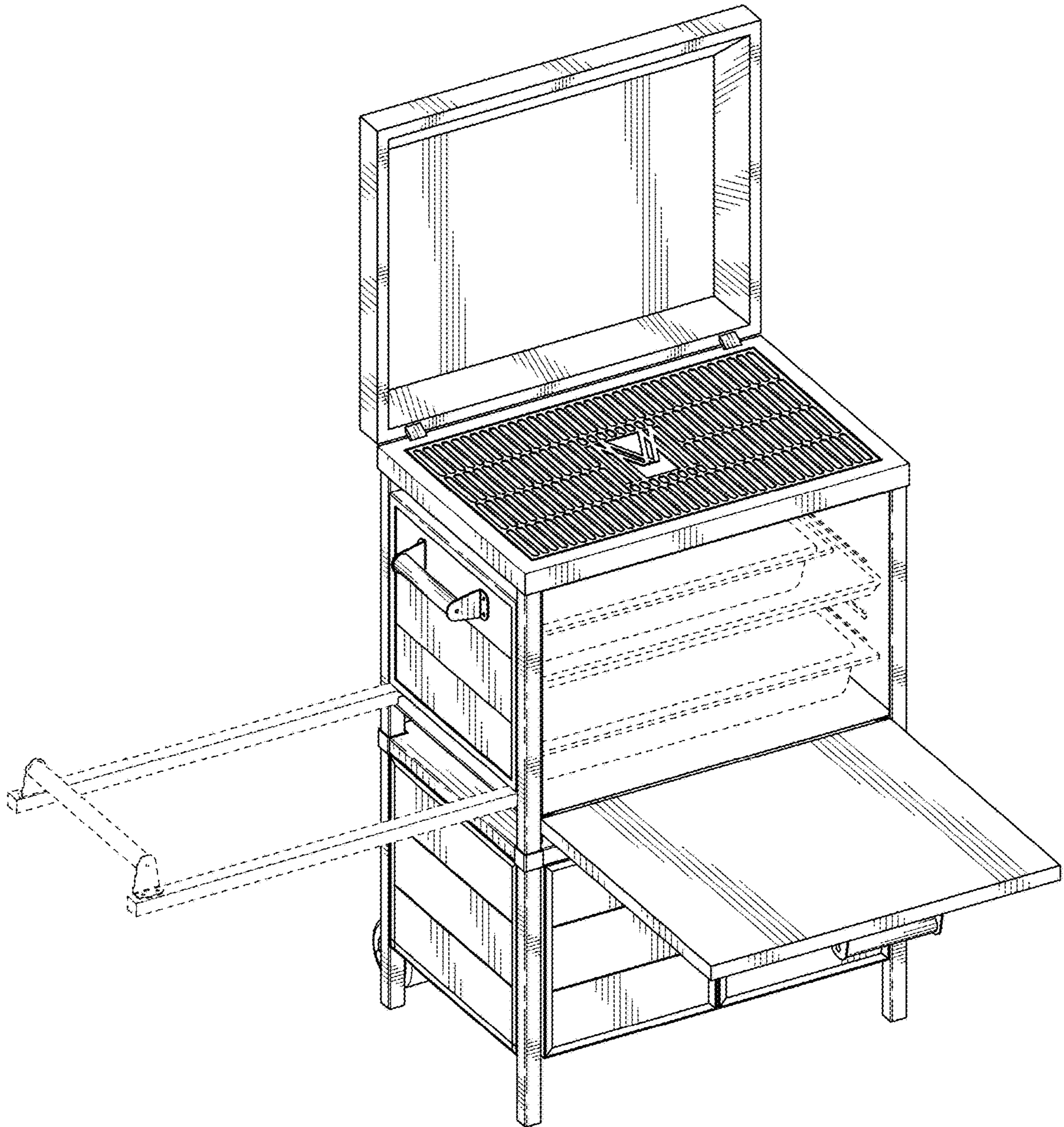


FIG. 6

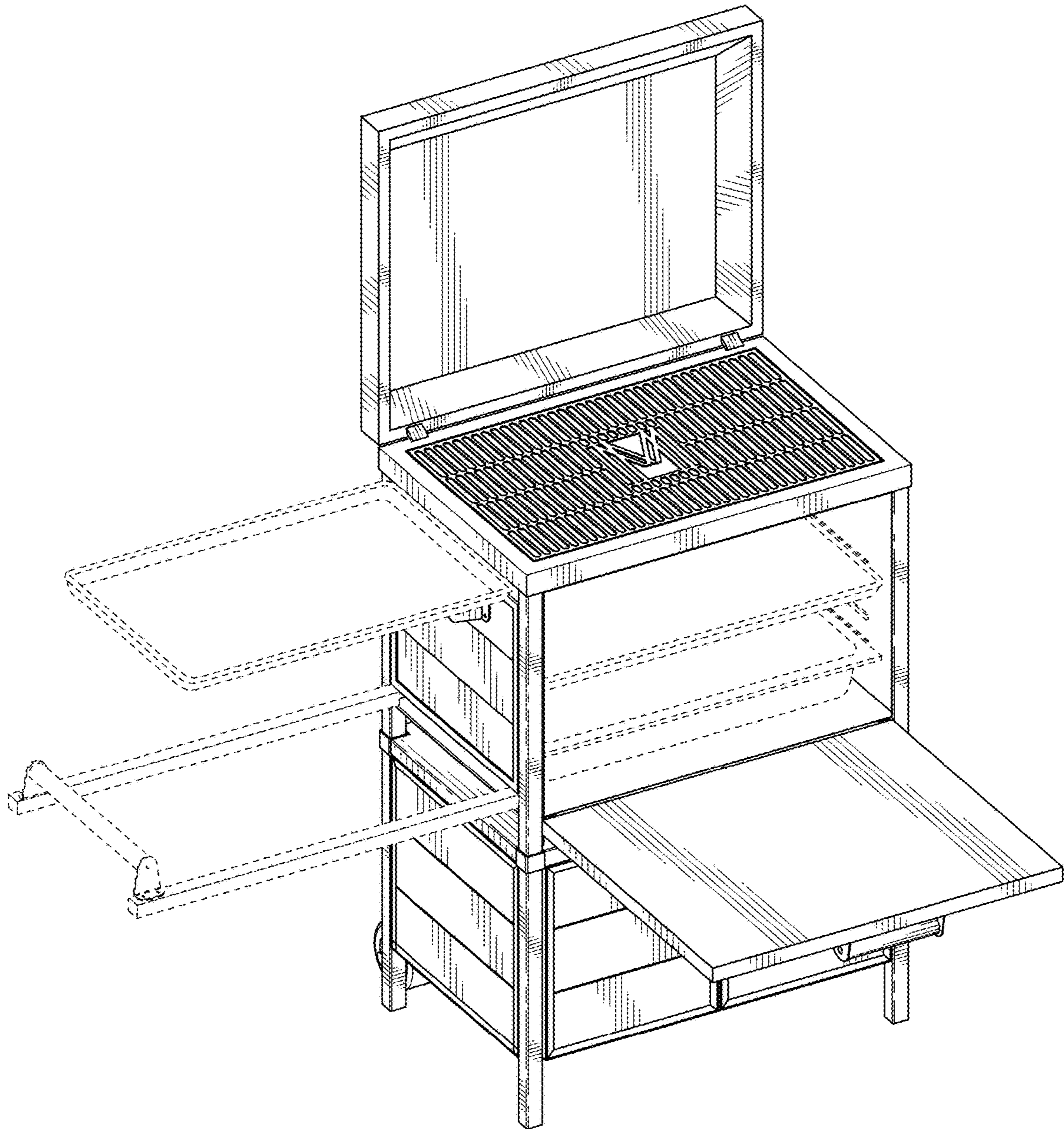


FIG. 7

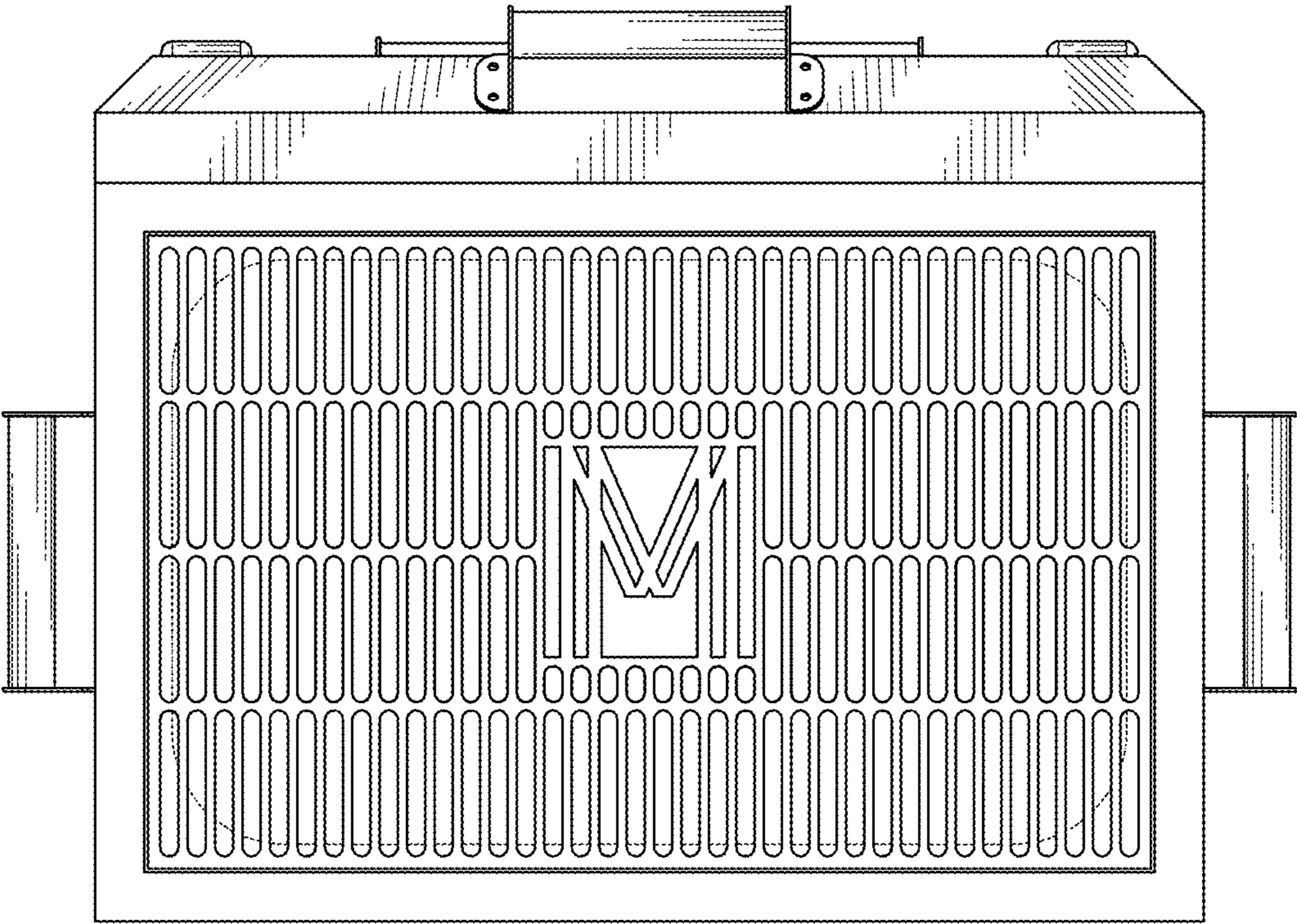


FIG. 8