

US00D796888S

(12) **United States Design Patent**
Miller et al.

(10) **Patent No.: US D796,888 S**

(45) **Date of Patent: ** Sep. 12, 2017**

- (54) **DISPENSING KETTLE**
- (71) Applicants: **Jake Miller**, San Francisco, CA (US);
Yulian Bagirov, Oakland, CA (US);
Jared Aller, Oakland, CA (US)
- (72) Inventors: **Jake Miller**, San Francisco, CA (US);
Yulian Bagirov, Oakland, CA (US);
Jared Aller, Oakland, CA (US)
- (73) Assignee: **Fellow Industries Inc.**, San Francisco,
CA (US)

95,948 A *	10/1869	Staples	B65D 47/06 141/309
D24,248 S *	4/1895	Mullins	D25/140
2,604,233 A *	7/1952	Murphrey	A47G 19/14 222/144.5
2,714,476 A *	8/1955	Locke	F16N 3/04 222/472
D216,599 S *	2/1970	Jacobsen	D7/321
D239,713 S *	4/1976	Solomon	D23/212
D241,248 S *	8/1976	Burke	D23/212
D248,917 S *	8/1978	Kikuchi	D7/321
D273,183 S *	3/1984	Shane	D11/157
D291,645 S *	9/1987	Bruno	D7/321
D320,906 S *	10/1991	Unger	D7/321
D497,775 S *	11/2004	Tung	D7/318

(**) Term: **15 Years**

* cited by examiner

(21) Appl. No.: **29/505,686**

Primary Examiner — Marianne Pandozzi

(22) Filed: **Jan. 4, 2016**

(74) *Attorney, Agent, or Firm* — James A. Gavney, Jr.;
JAG Patent Services

(51) **LOC (10) Cl.** **07-01**

(52) **U.S. Cl.**

USPC **D7/321; D7/312; D23/212**

(58) **Field of Classification Search**

USPC D7/316, 317, 318, 319, 303, 302, 312,
D7/322, 321, 600; D10/46.2; D9/524,
D9/526, 527; 222/573; D23/212, 211.2

CPC B65D 23/06; B65D 47/06; B67D 1/16;
A47G 19/00

See application file for complete search history.

(57) **CLAIM**

The ornamental design for a dispensing kettle, as shown and described.

DESCRIPTION

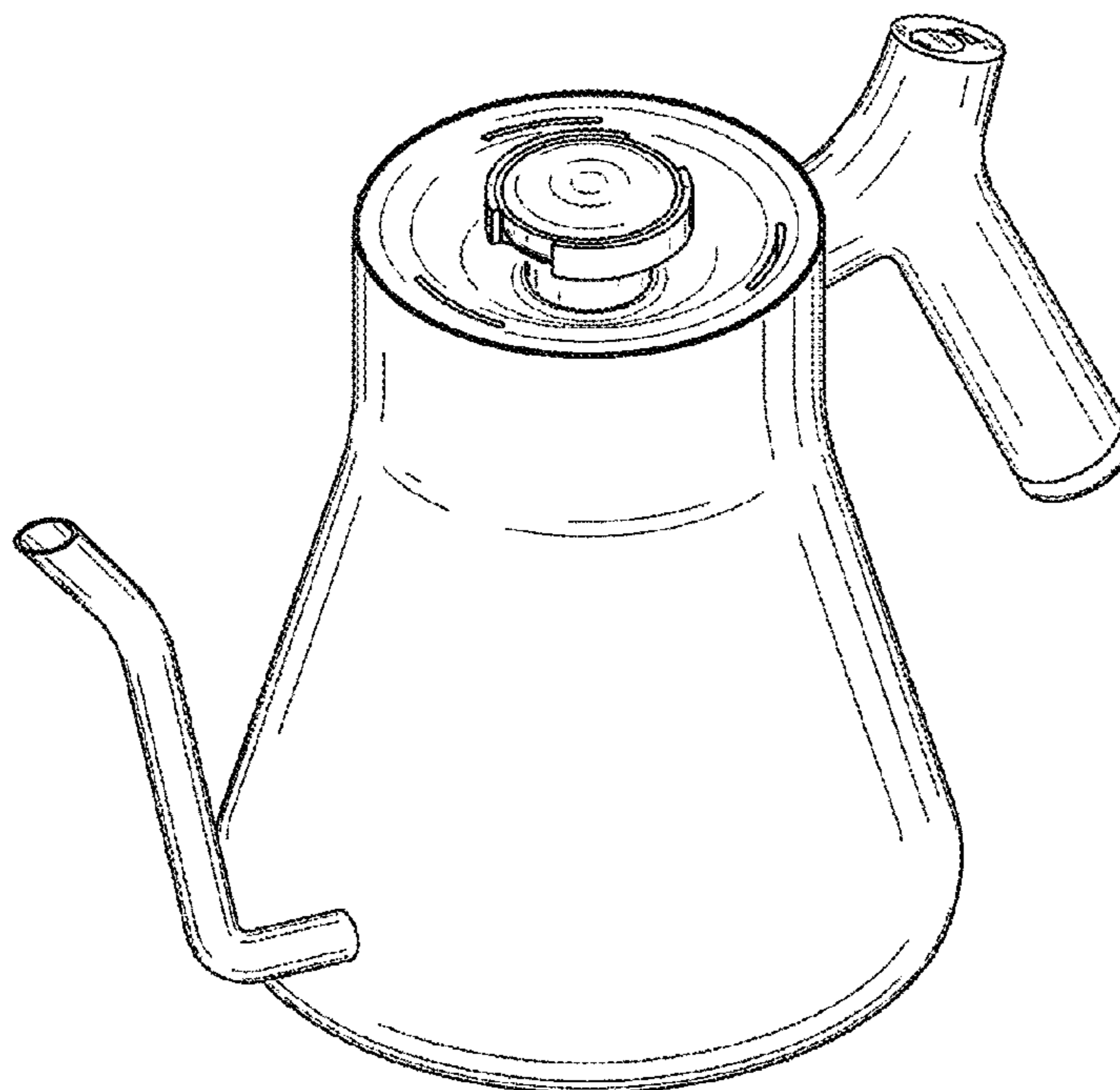
FIG. 1 is a top perspective view of a dispensing kettle showing our new design;
FIG. 2 is a left side view of the dispensing kettle thereof;
FIG. 3 is a right side view of the dispensing kettle thereof;
FIG. 4 is a front view of the dispensing kettle thereof;
FIG. 5 is a back view of the dispensing kettle thereof;
FIG. 6 is a top view of the dispensing kettle thereof; and,
FIG. 7 is a bottom view of the dispensing kettle.

(56) **References Cited**

U.S. PATENT DOCUMENTS

3,031 A *	4/1843	Cornelius	B65D 47/06 141/309
D2,504 S *	11/1866	Haucks	D23/211

1 Claim, 4 Drawing Sheets



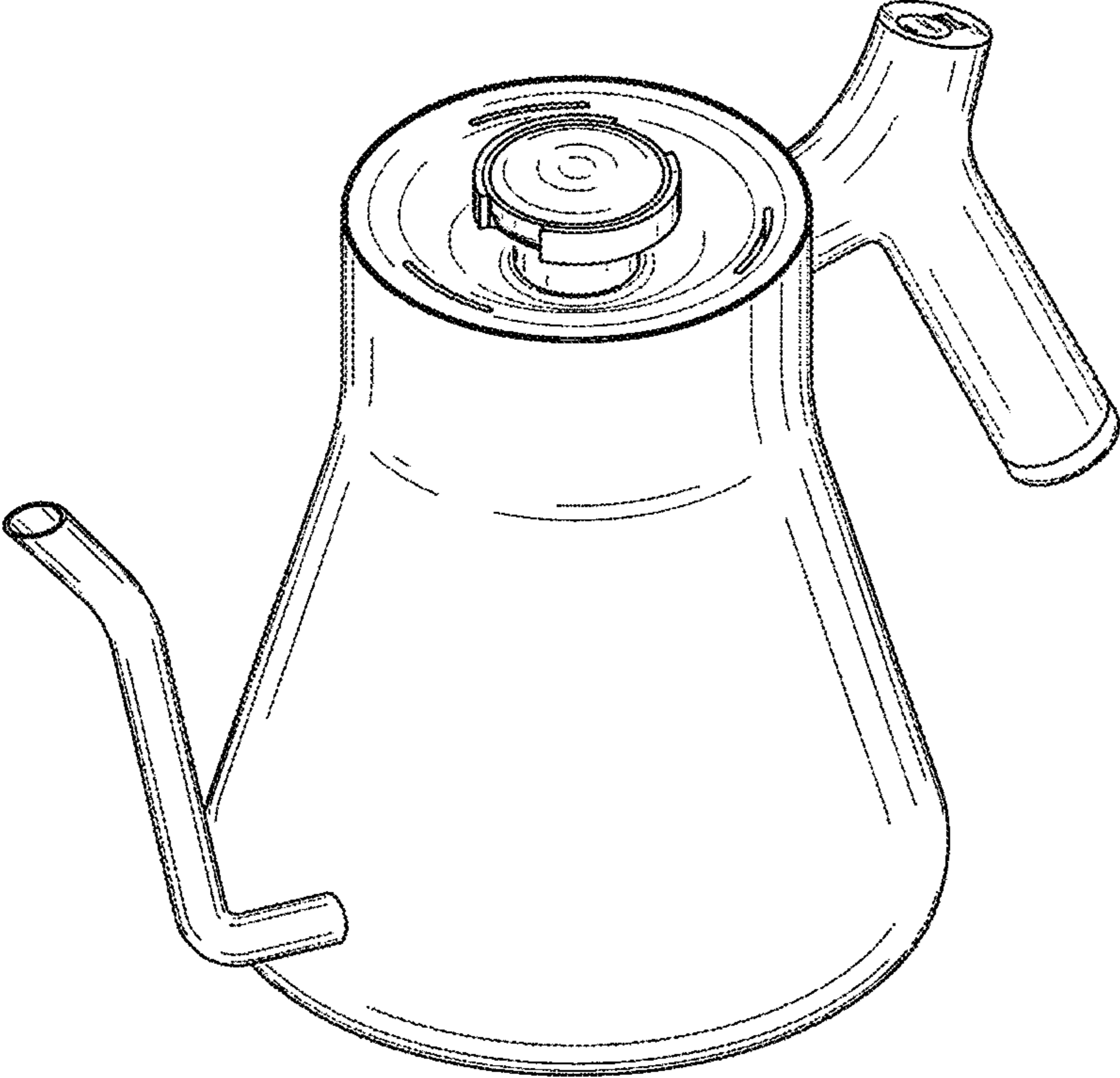


FIG. 1

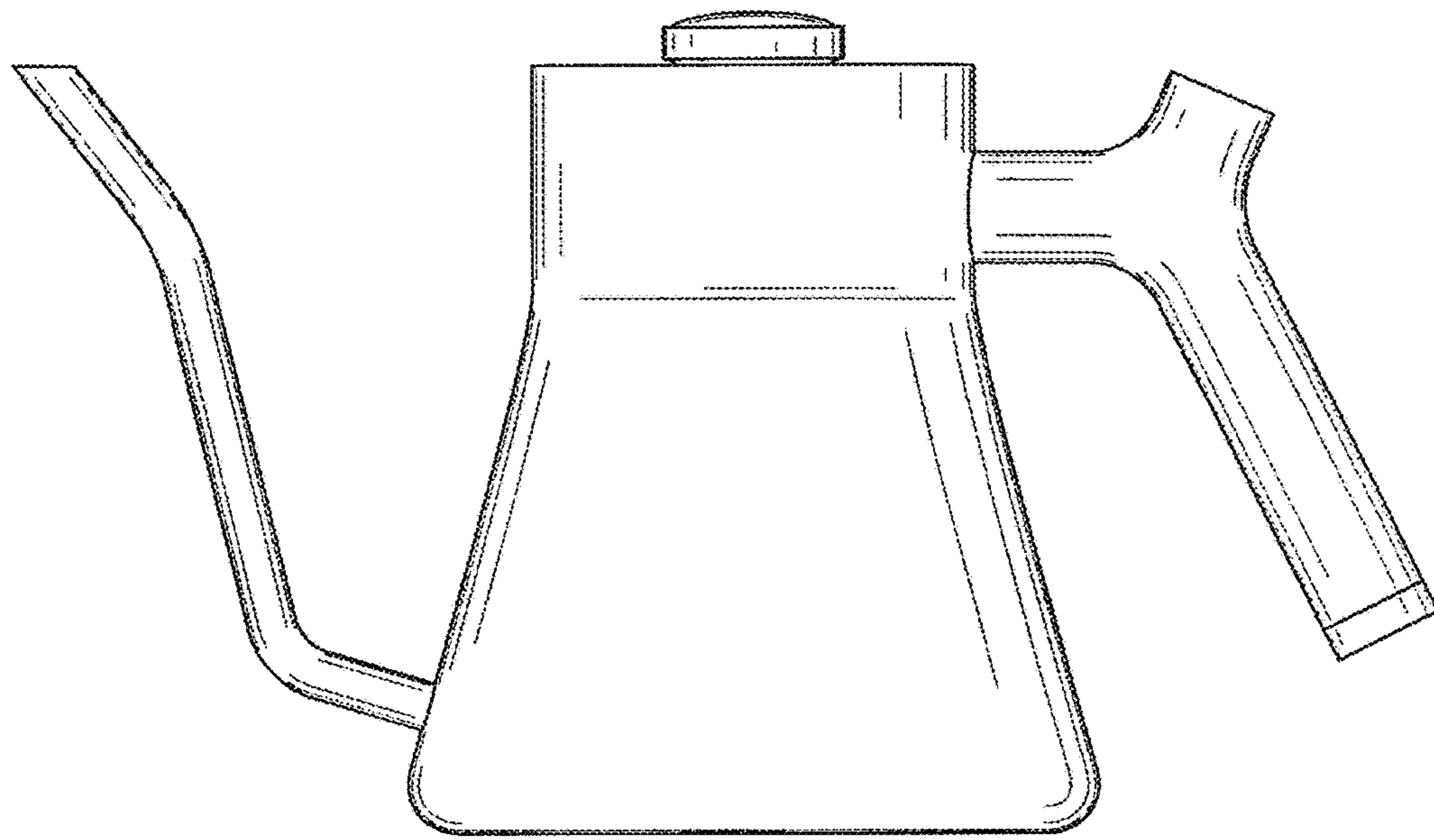


FIG. 2

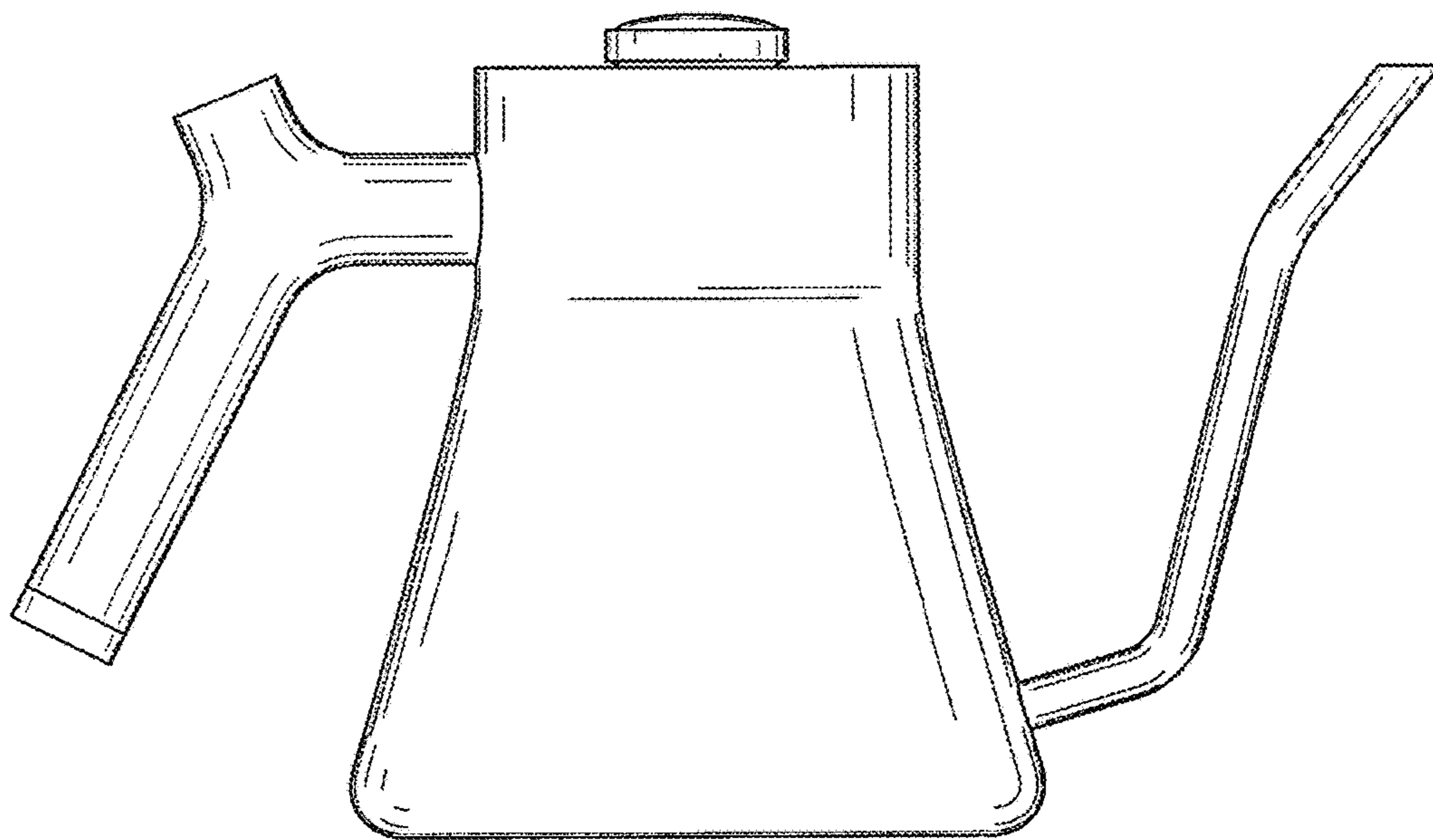


FIG. 3

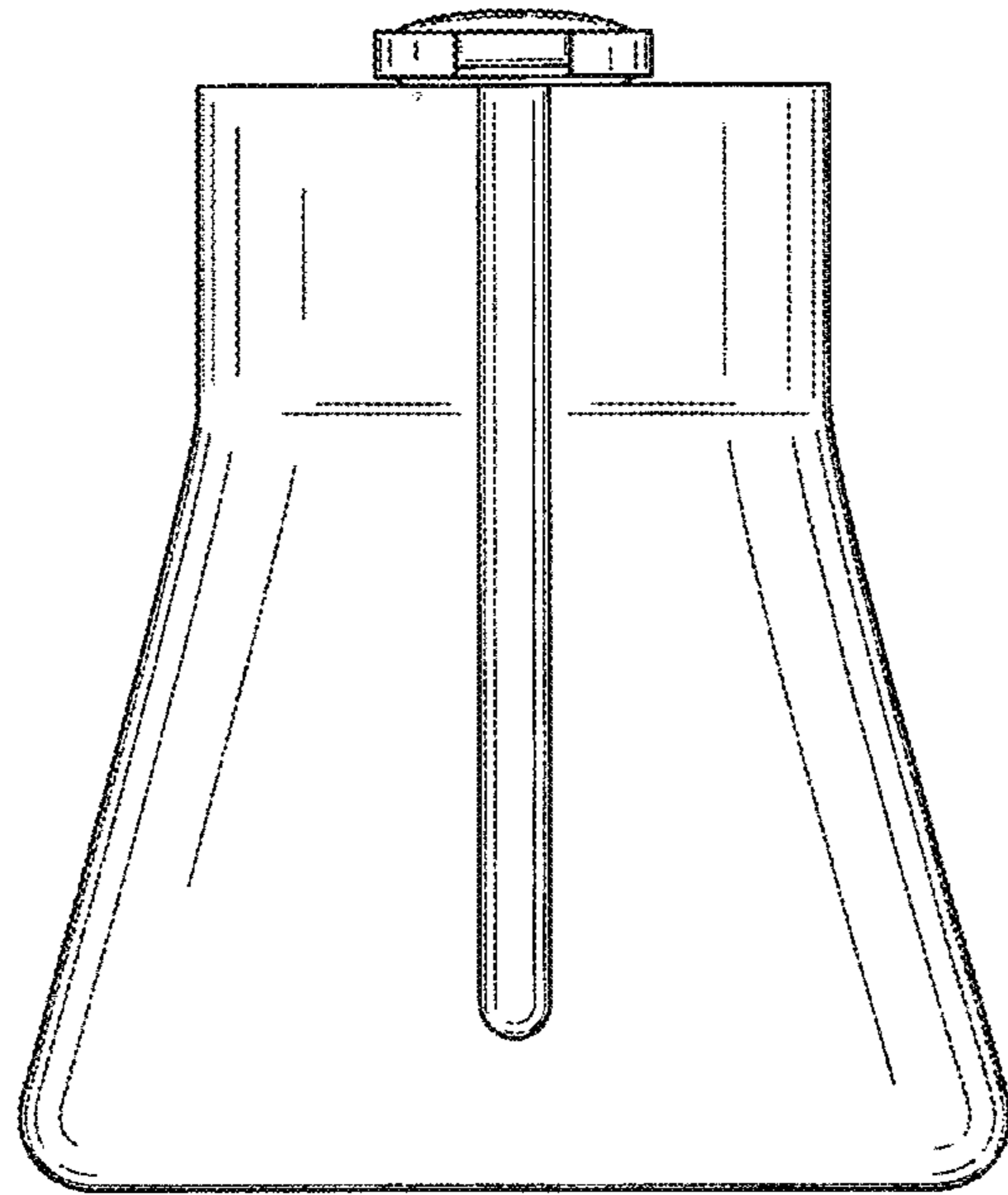


FIG. 4

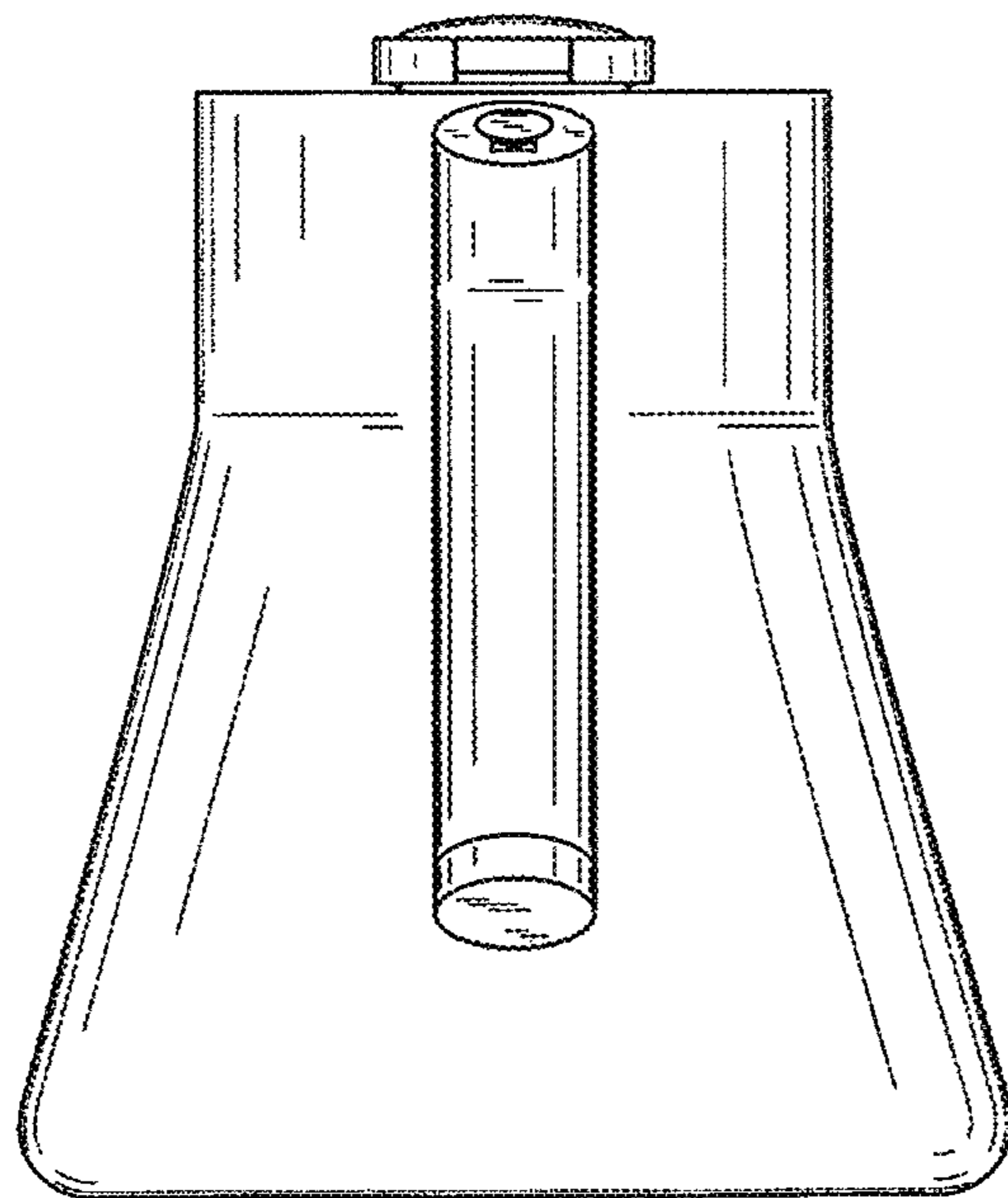


FIG. 5

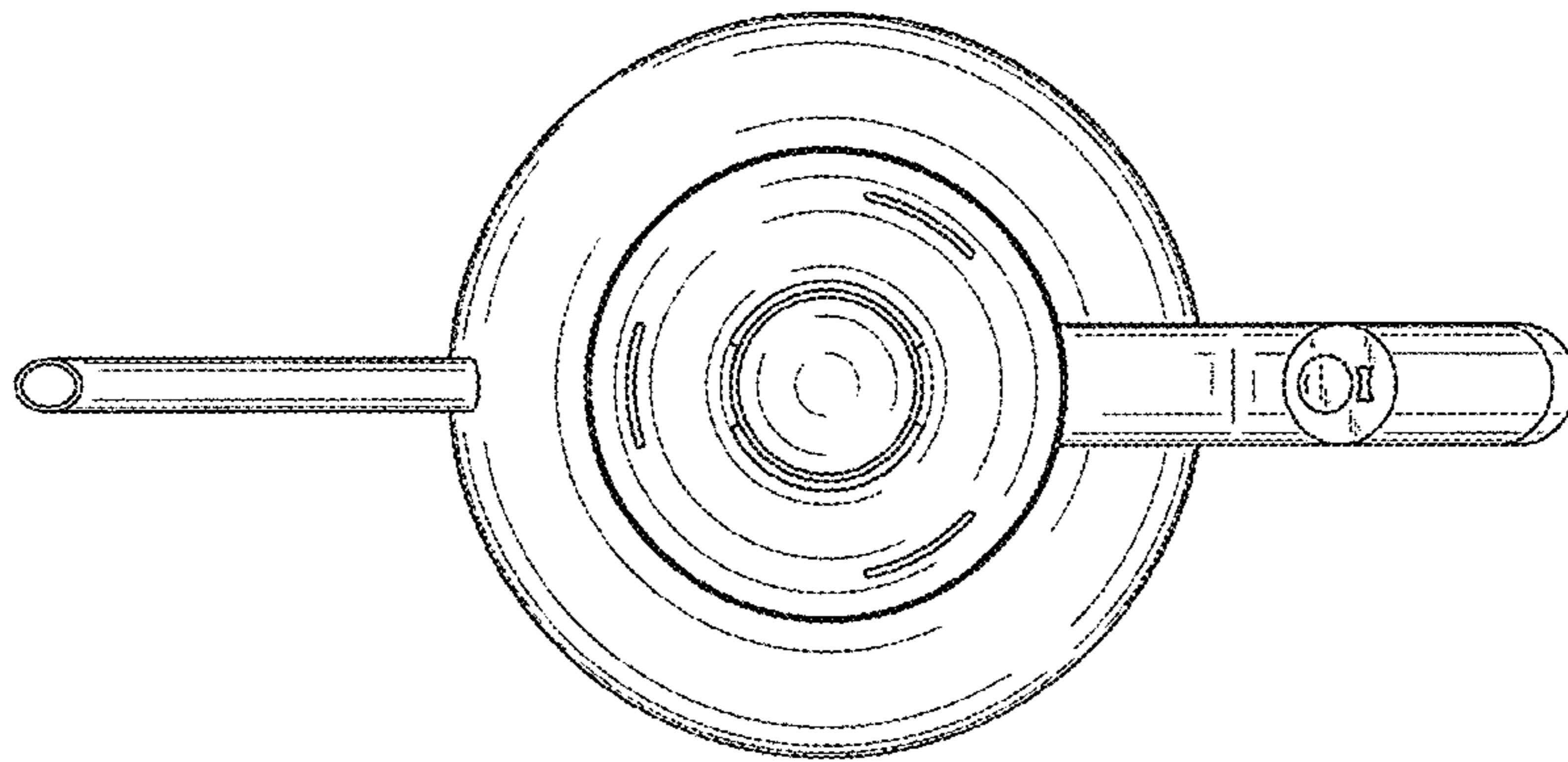


FIG. 6

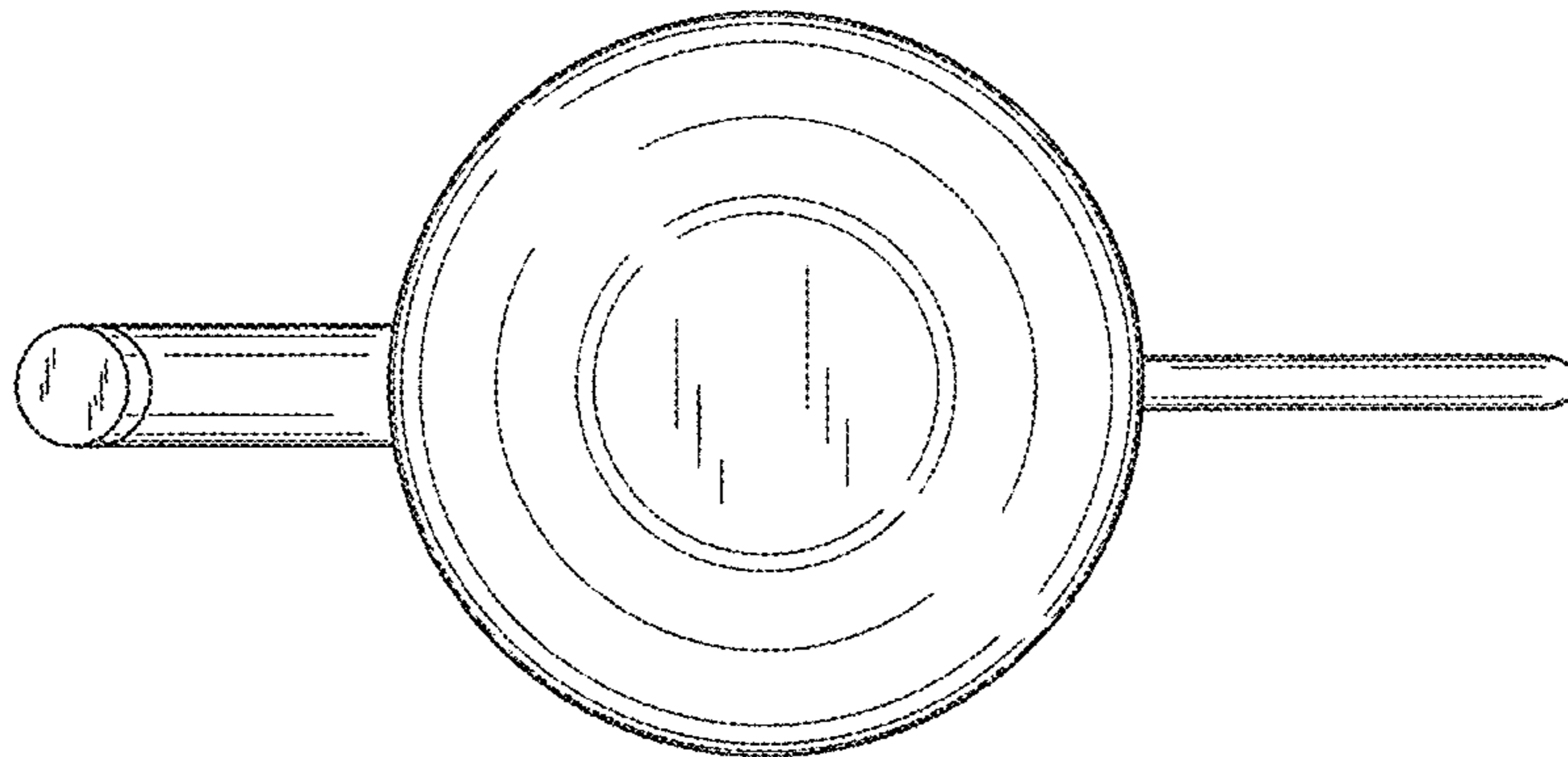


FIG. 7