



US00D796885S

(12) **United States Design Patent** (10) **Patent No.:** **US D796,885 S**
Wang (45) **Date of Patent:** **** Sep. 12, 2017**

(54) **COFFEE BREWER**
(71) Applicant: **MTN Products, INC**, La Verne, CA (US)
(72) Inventor: **Chun-Yen Wang**, El Paso, TX (US)
(73) Assignee: **MTN Products, Inc.**, LaVerne, CA (US)
(**) Term: **15 Years**

D695,054 S * 12/2013 De Pra D7/309
D713,667 S * 9/2014 Marsland D7/306
D718,565 S * 12/2014 Spagnolo D7/309
D723,317 S * 3/2015 Manly D7/306
D724,369 S * 3/2015 Cahen D7/309
D728,987 S * 5/2015 Cahen D7/309
D738,149 S * 9/2015 Ye D7/306
D755,000 S * 5/2016 Lovati D7/306
D756,696 S * 5/2016 Murphy D7/306
D757,477 S * 5/2016 Wang D7/306
D760,008 S * 6/2016 Moon D7/306
D779,257 S * 2/2017 Hale D7/306
2014/0342067 A1 * 11/2014 Sullivan A47J 31/3633
426/425

(21) Appl. No.: **29/547,953**

(22) Filed: **Dec. 9, 2015**

(51) **LOC (10) Cl.** **07-01**

(52) **U.S. Cl.**
USPC **D7/309; D7/311; D7/306**

(58) **Field of Classification Search**
USPC D7/305-311, 313; D15/82; 222/129.1,
222/146.6; 99/295
CPC A47J 31/44; A47J 31/4403; A47J 31/46;
A47J 31/4482; A47J 31/369; A47J
31/407; B67D 1/36; B67D 2210/0065;
B67D 1/0864

See application file for complete search history.

(56) **References Cited**

U.S. PATENT DOCUMENTS

D501,750 S * 2/2005 DeMore D7/309
D515,347 S * 2/2006 Reuss, Jr. D7/309
D530,560 S * 10/2006 Lin D7/309
D546,112 S * 7/2007 Rorke D7/309
D550,449 S * 9/2007 Gossett D3/217
D666,051 S * 8/2012 de Pra D7/309
D667,674 S * 9/2012 Wilder D7/306
D674,233 S * 1/2013 Lavy D7/309
D678,710 S * 3/2013 Xie D7/309
D687,664 S * 8/2013 Beghelli D7/306
D688,079 S * 8/2013 Wang D7/305

OTHER PUBLICATIONS

Bottom Loading Bottled Water Dispenser with 12 Cup Drip.

* cited by examiner

Primary Examiner — Marianne Pandozzi

(74) *Attorney, Agent, or Firm* — Michael P. Mazza, LLC

(57) **CLAIM**

The ornamental design for a coffee brewer, as shown and described.

DESCRIPTION

FIG. 1 is a top front right side perspective view of a coffee brewer showing my new design;
FIG. 2 is a right side view thereof;
FIG. 3 is a front view thereof;
FIG. 4 is a top plan view thereof;
FIG. 5 is a left side view thereof;
FIG. 6 is a right side view thereof; and,
FIG. 7 is a bottom plan view thereof.
The broken lines in the drawing depict portions of the coffee brewer that form no part of the claimed design.

1 Claim, 7 Drawing Sheets

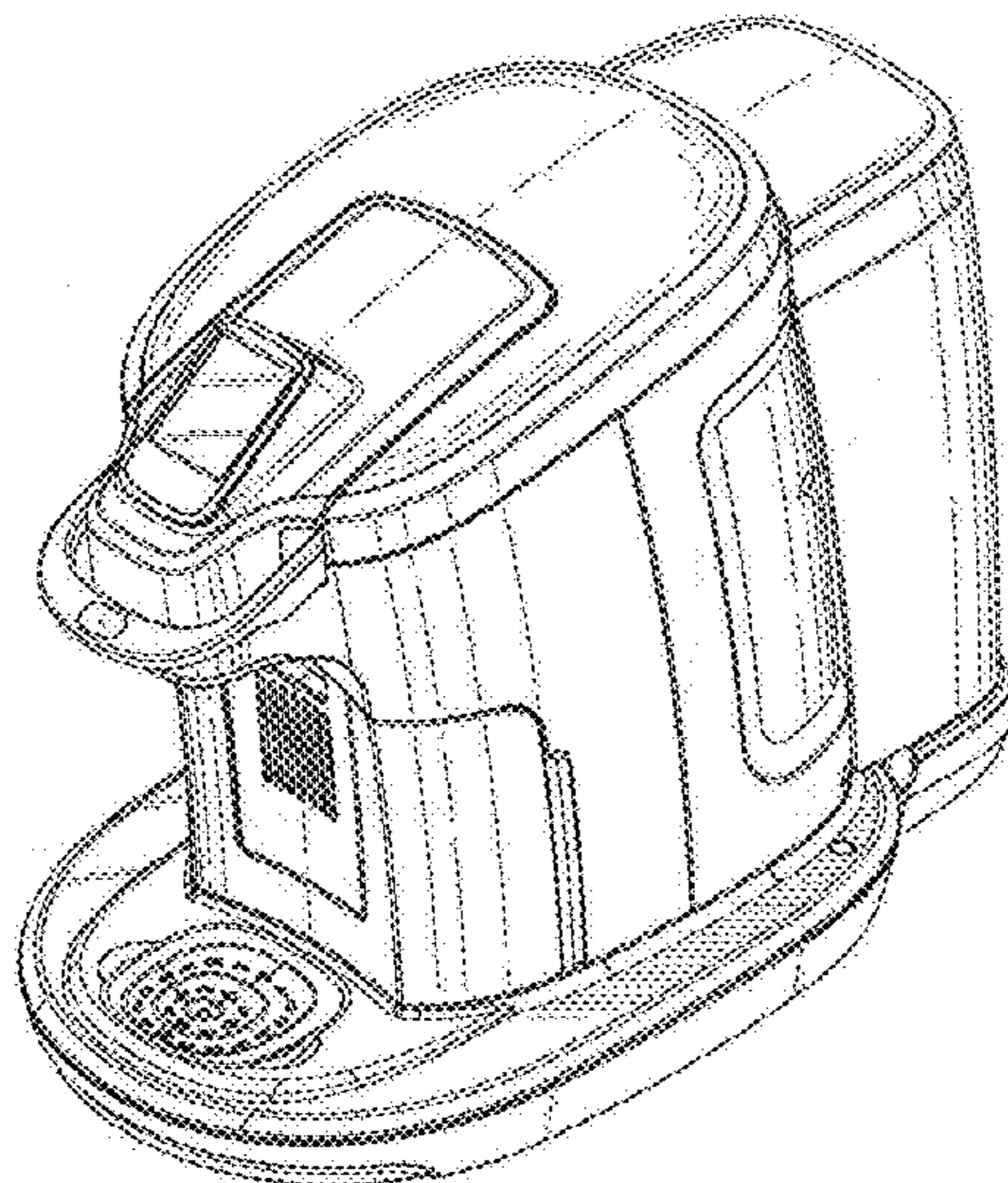


Fig. 1

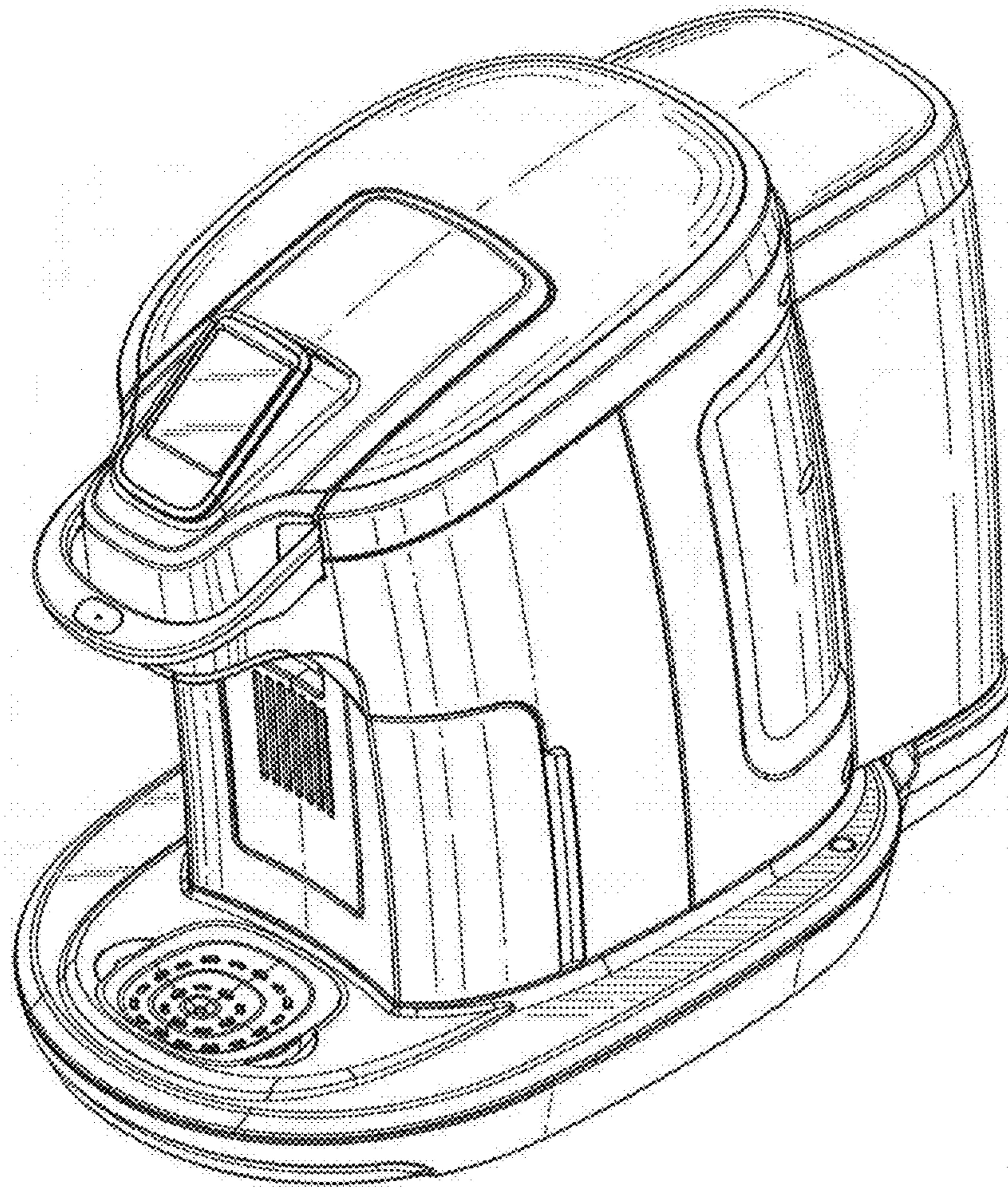


Fig. 2

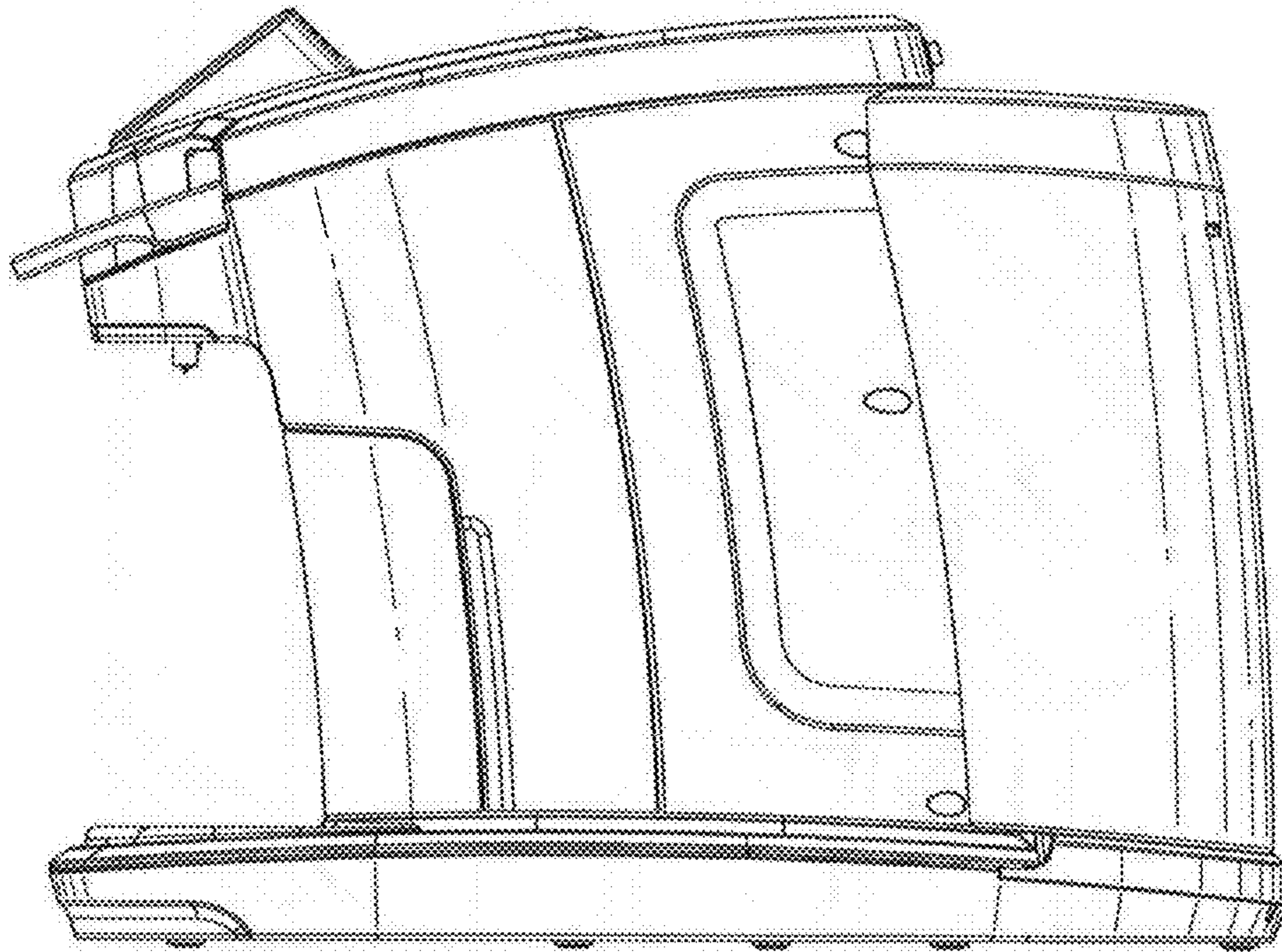


Fig. 3

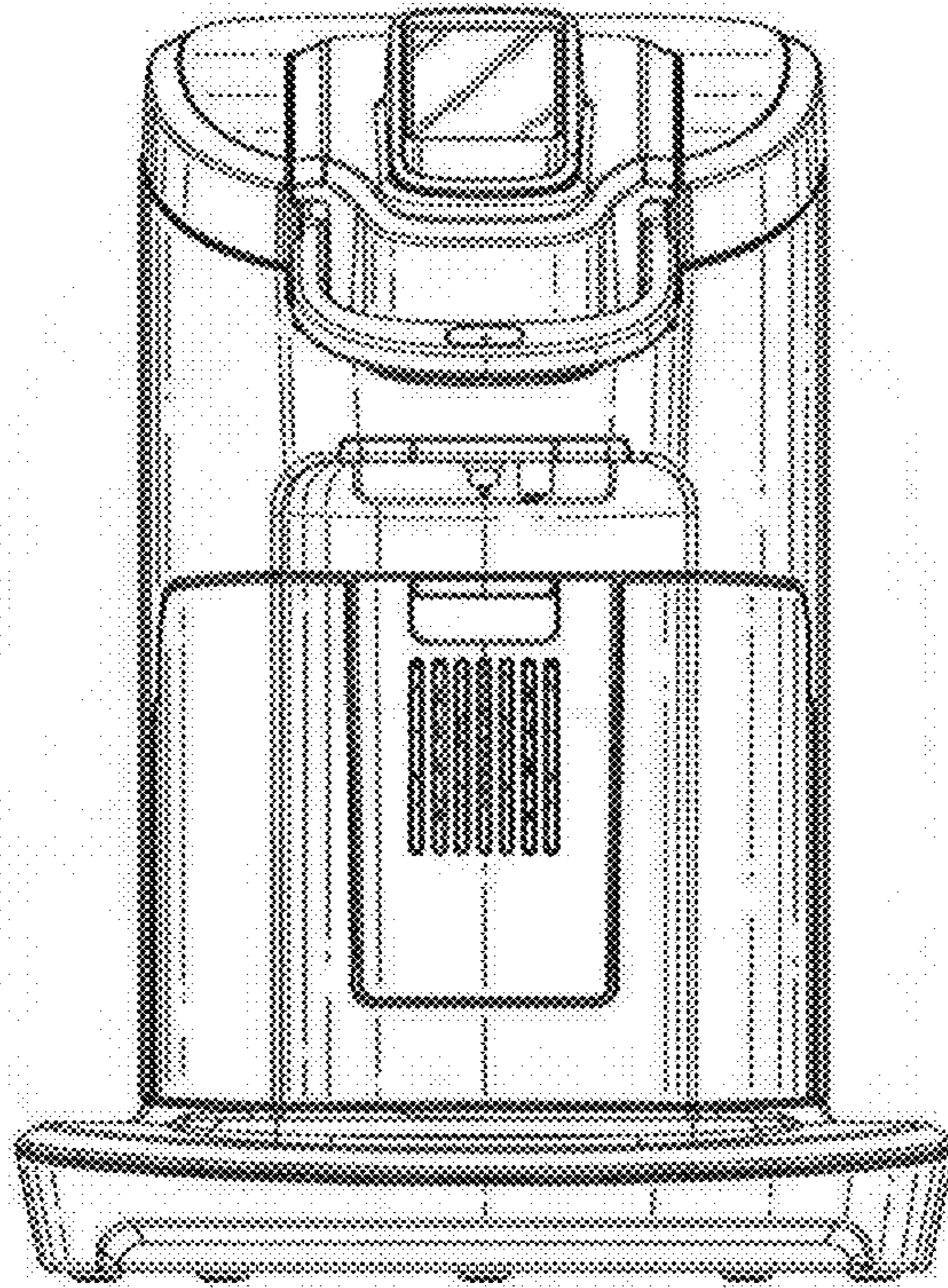


Fig. 4

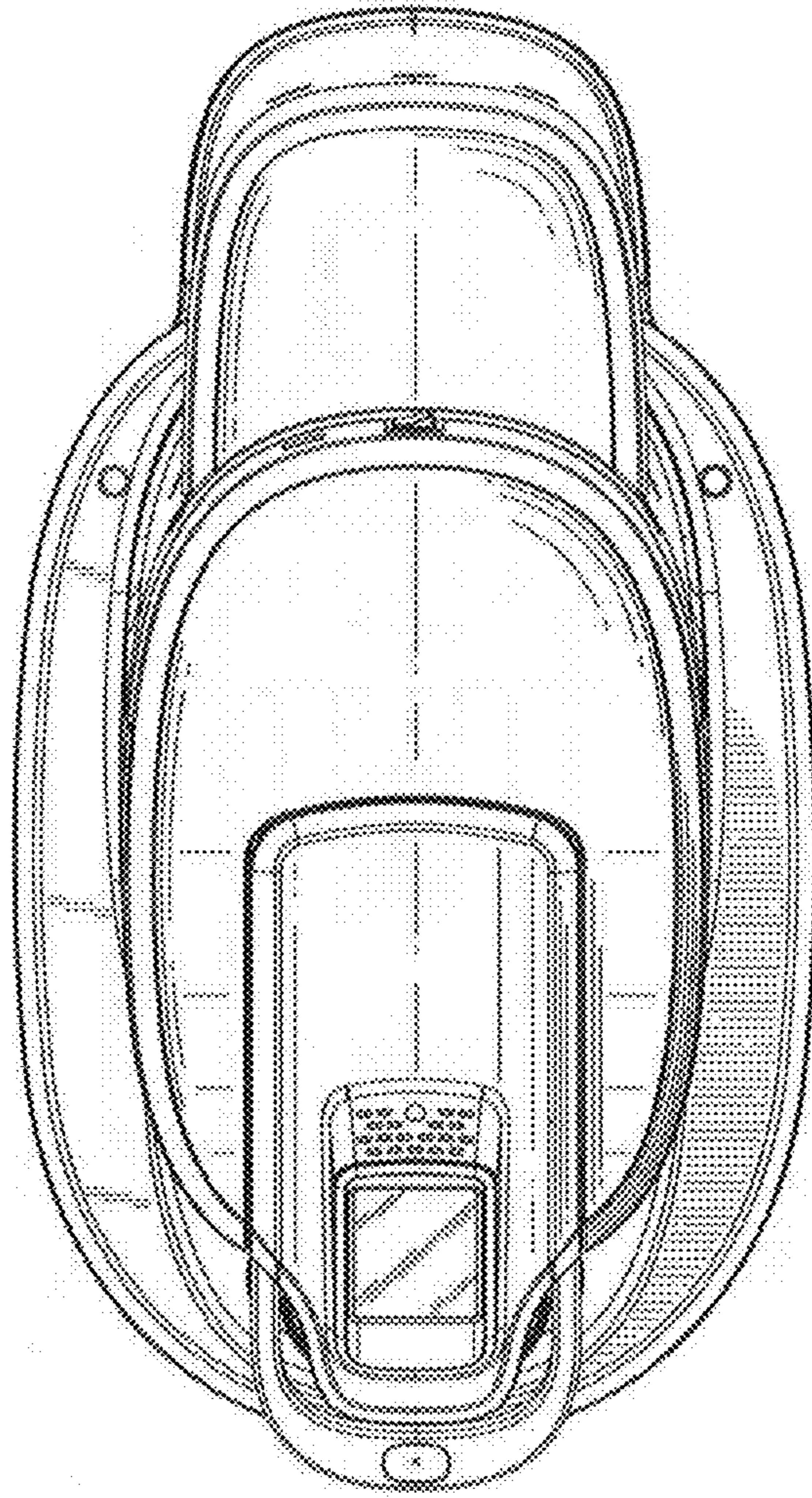


Fig. 5

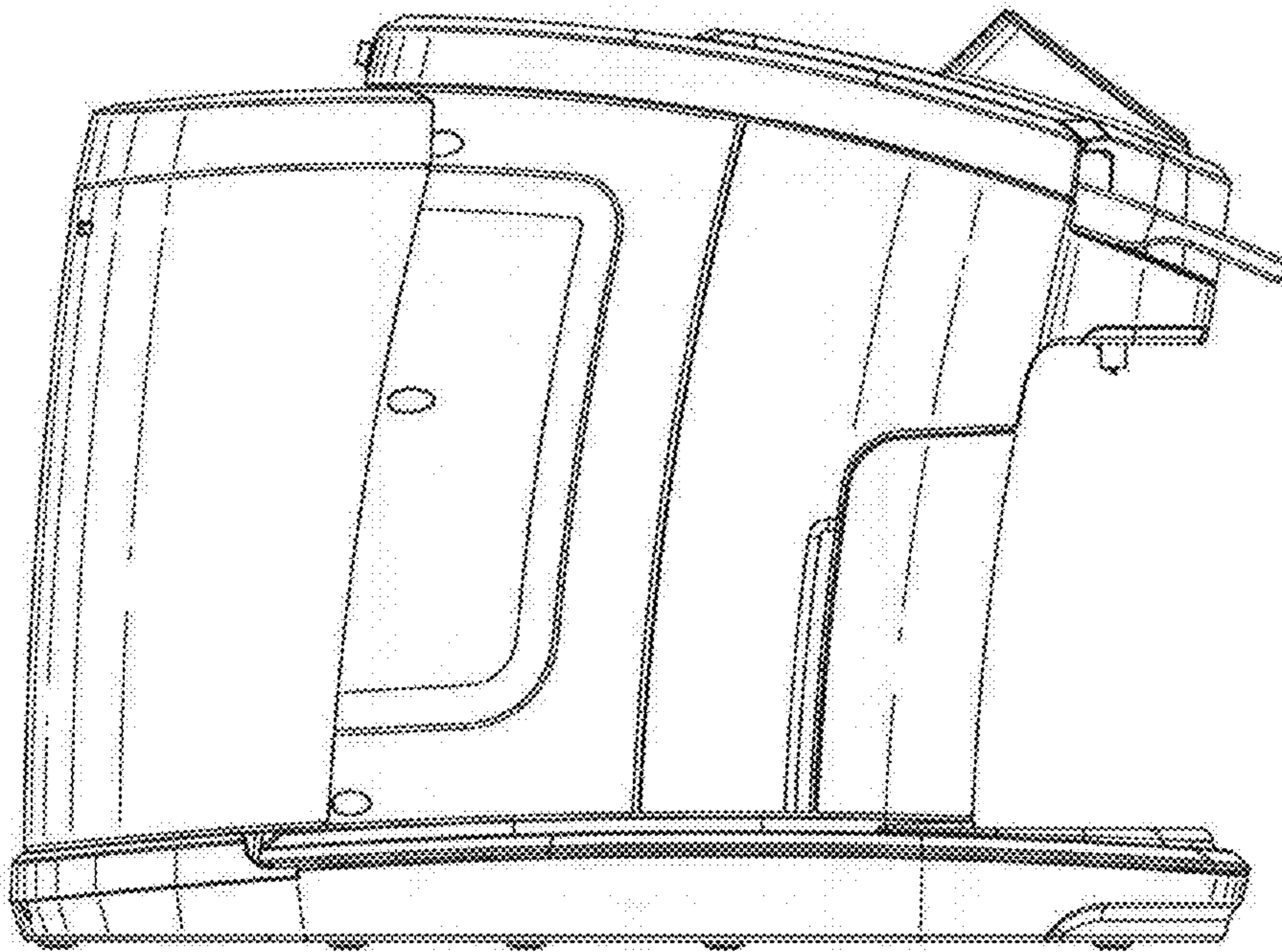


Fig. 6

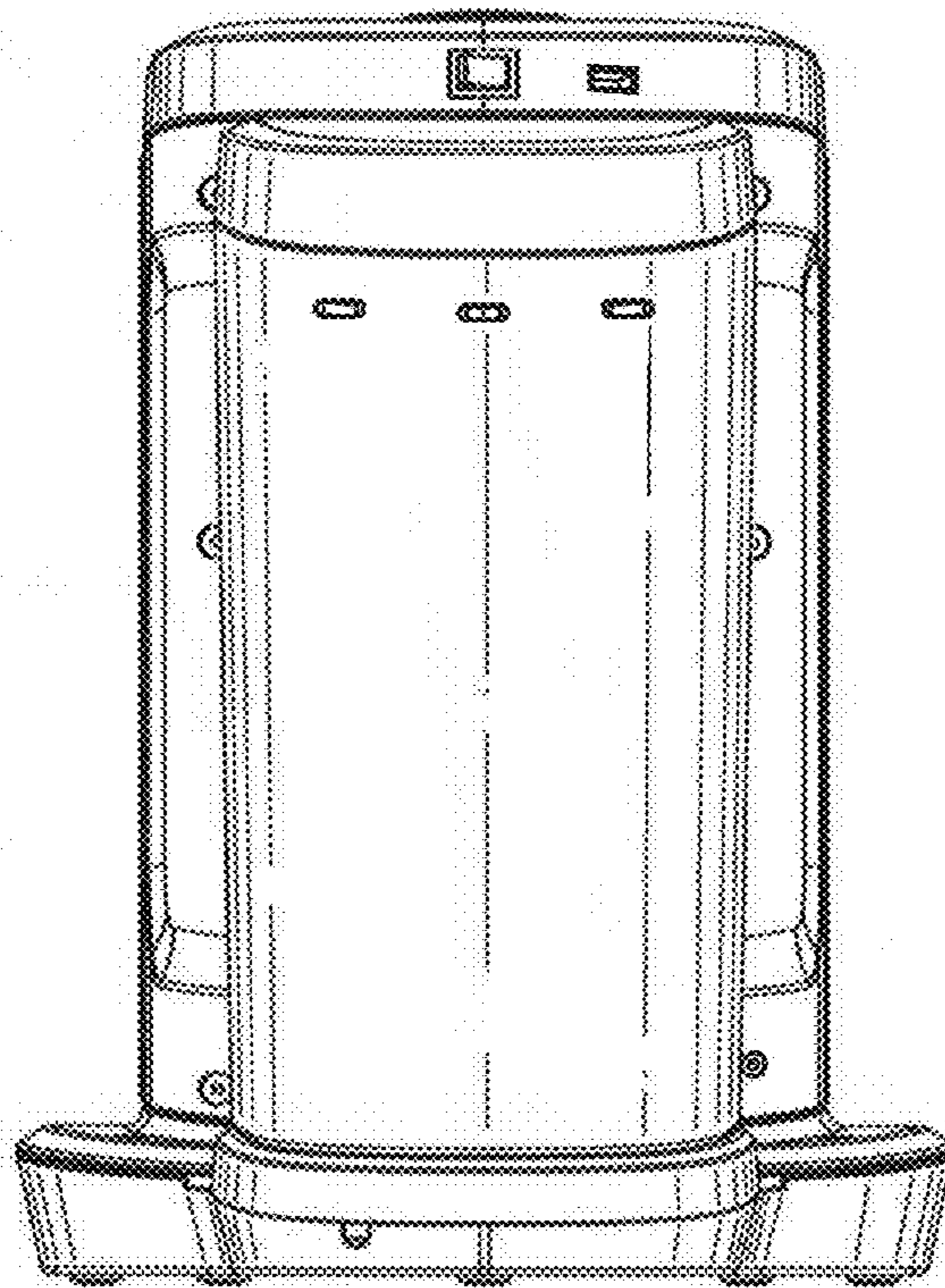


Fig. 7

