



US00D796880S

(12) **United States Design Patent** (10) **Patent No.:** **US D796,880 S**
Crawley et al. (45) **Date of Patent:** **** Sep. 12, 2017**

(54) **CAP FOR A DISPLAY STAND**

(56) **References Cited**

(71) Applicant: **TENSATOR GROUP LIMITED**,
Milton Keynes (GB)

U.S. PATENT DOCUMENTS

(72) Inventors: **Peter Crawley**, Newport Pagnell (GB);
Tommy Coe, Milton Keynes (GB)

D165,760 S *	1/1952	Jones	D20/7
D344,763 S *	3/1994	Vitantonio	D20/28
D485,710 S *	1/2004	Burkhart	D11/152
D641,276 S *	7/2011	Greppi	D11/1
D648,806 S *	11/2011	Wood	D20/22
D702,462 S *	4/2014	Roithner	D6/677

(**) Term: **15 Years**

* cited by examiner

(21) Appl. No.: **35/501,269**

Primary Examiner — Mary Ann Calabrese

(22) Filed: **May 20, 2016**

(57) **CLAIM**

(80) **Hague Agreement Data**

The ornamental design for a cap for a display stand, as shown and described.

Int. Filing Date: **May 20, 2016**

Int. Reg. No.: **DM/091569**

Int. Reg. Date: **May 20, 2016**

Int. Reg. Pub. Date: **Jul. 22, 2016**

DESCRIPTION

(51) **LOC (10) Cl.** **06-04**

(52) **U.S. Cl.**
USPC **D6/702**

(58) **Field of Classification Search**
USPC D6/672, 677, 702, 712; D9/435; D11/1;
D20/7, 28, 99; D25/126, 133
CPC A47F 41/00; A47F 5/00; A47F 5/02
See application file for complete search history.

1. Cap for a display stand

1.1 : Top

1.2 : Back

1.3 : Left

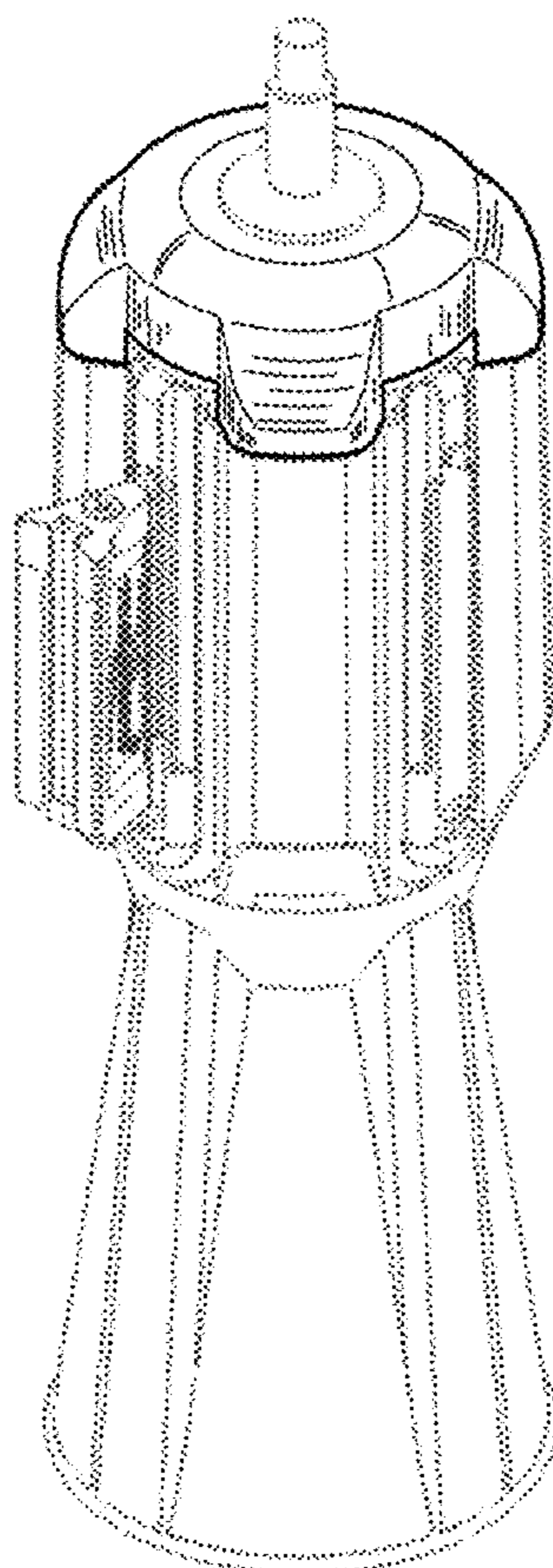
1.4 : Right

1.5 : Front

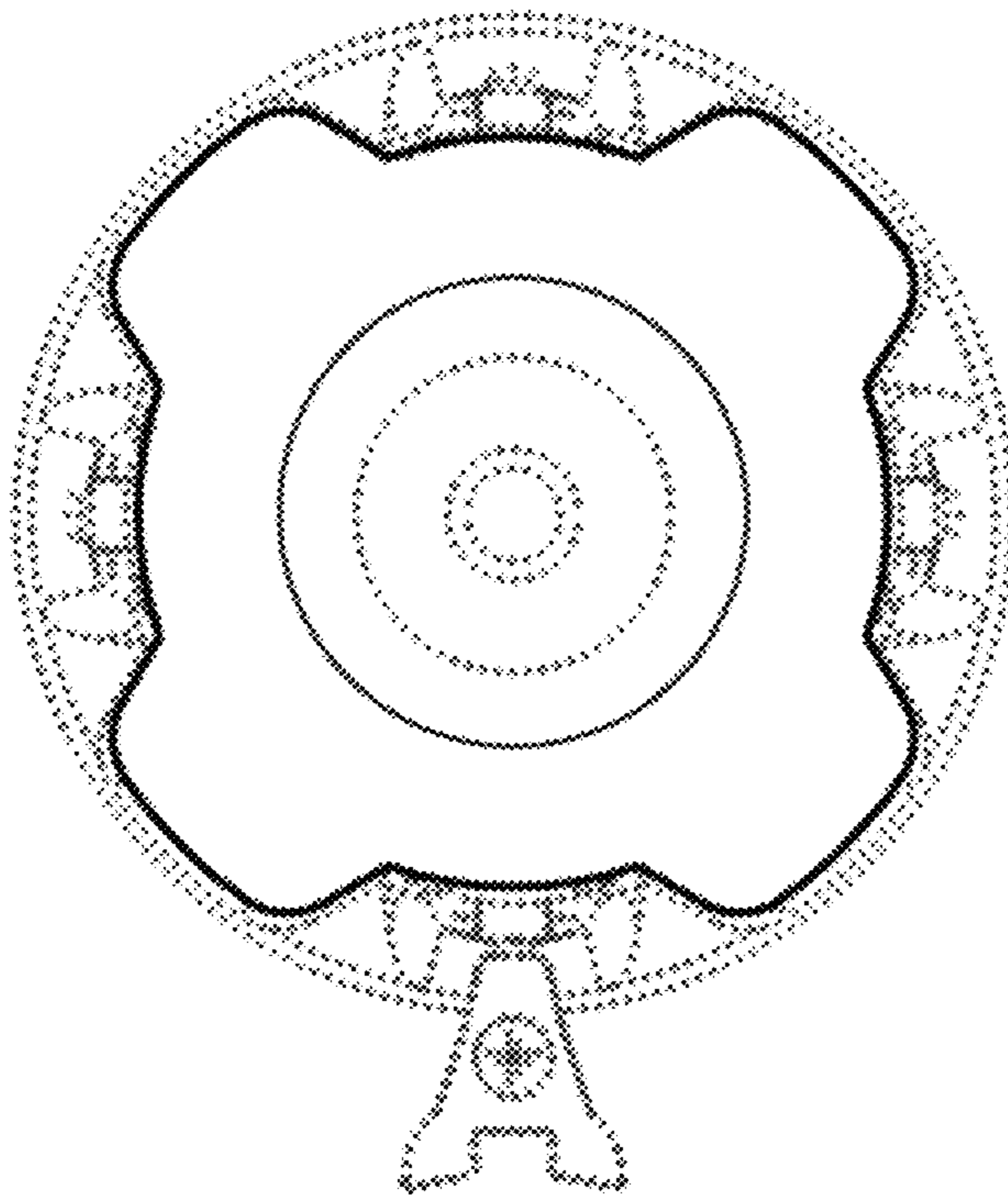
1.6 : Perspective

In the drawings, the broken lines illustrate the environment in which the claimed design is used and forms no part of the claim.

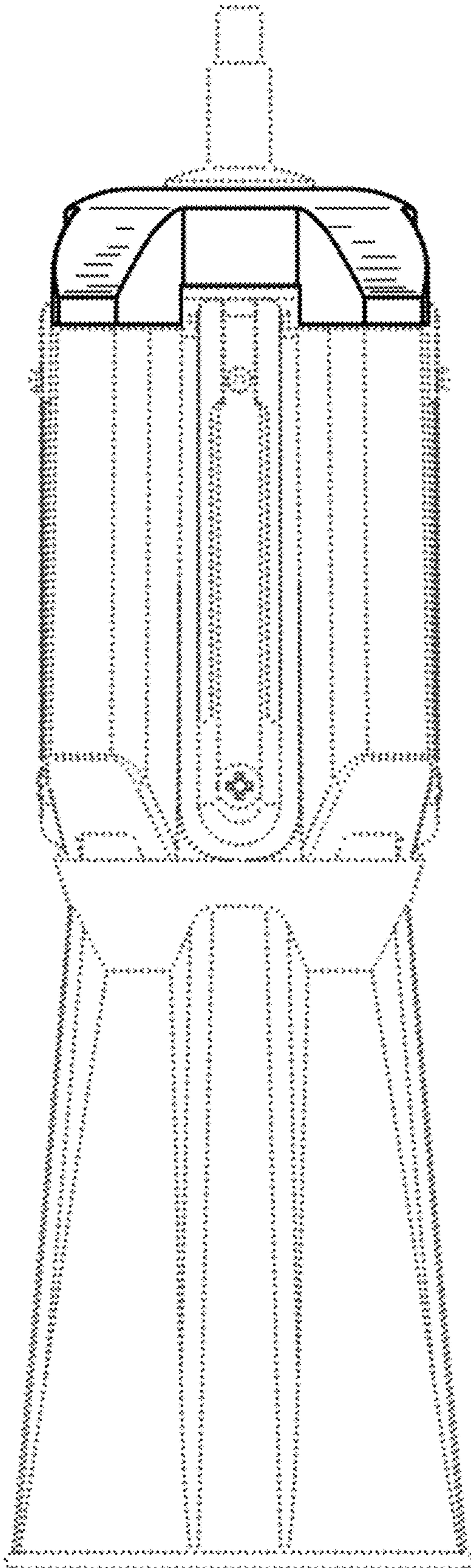
1 Claim, 6 Drawing Sheets



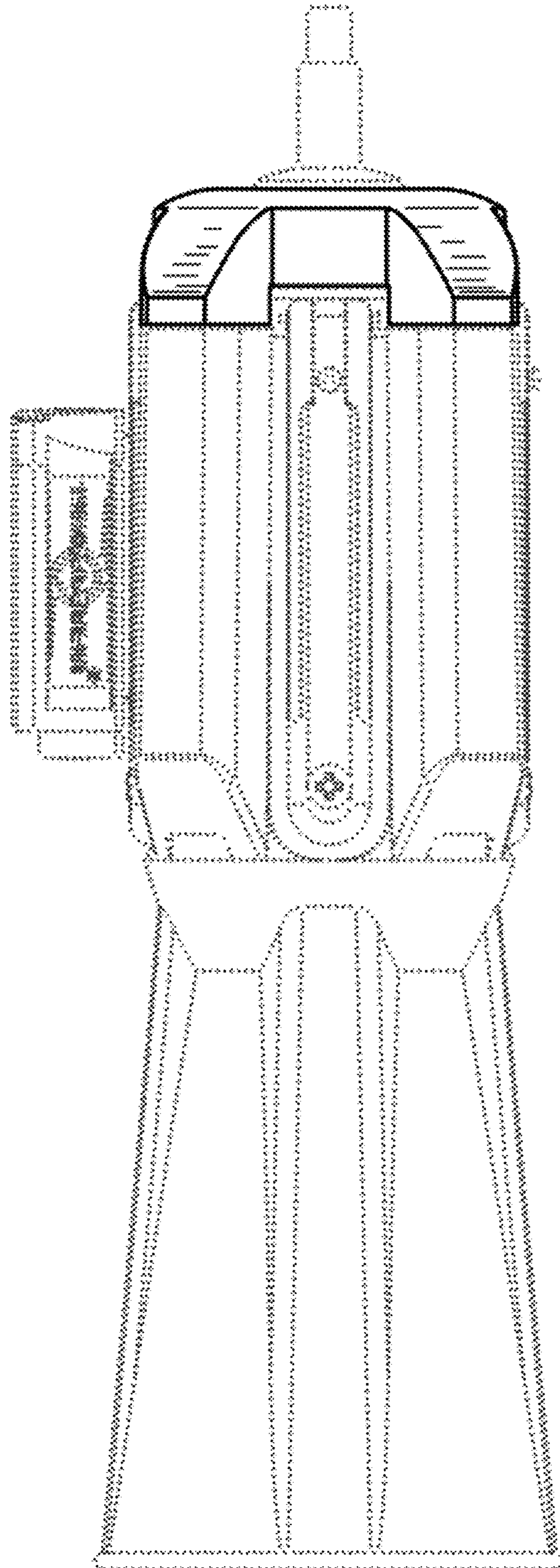
1.1



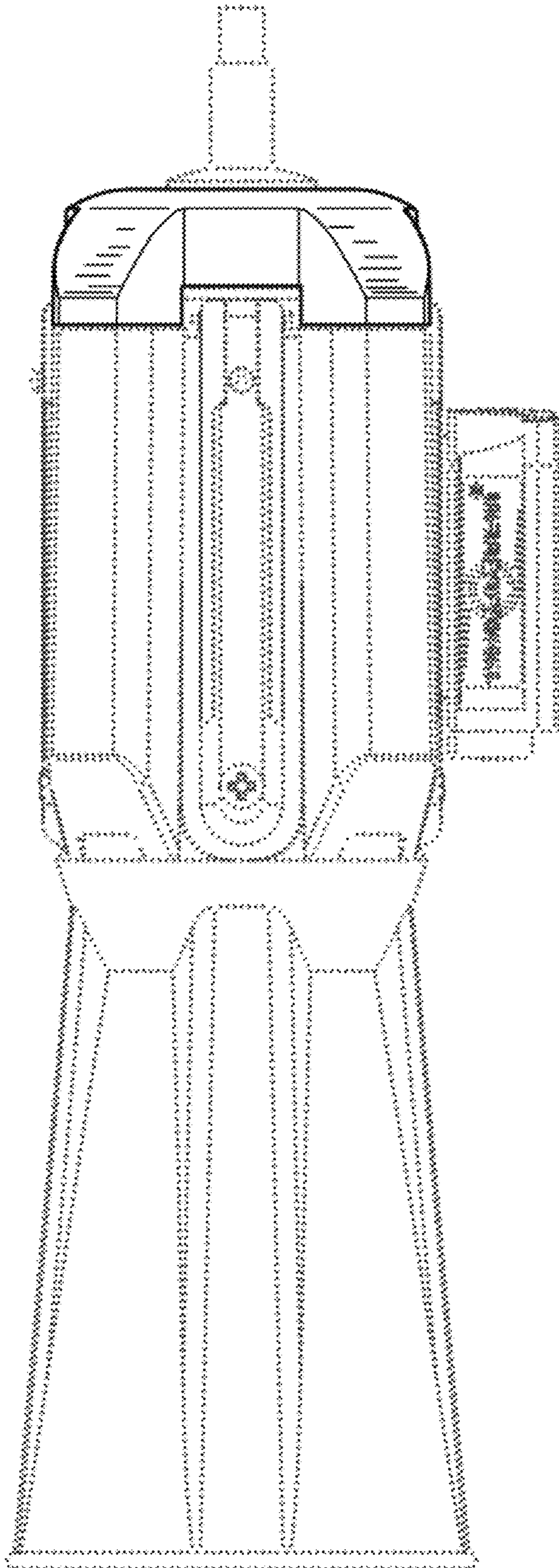
1.2



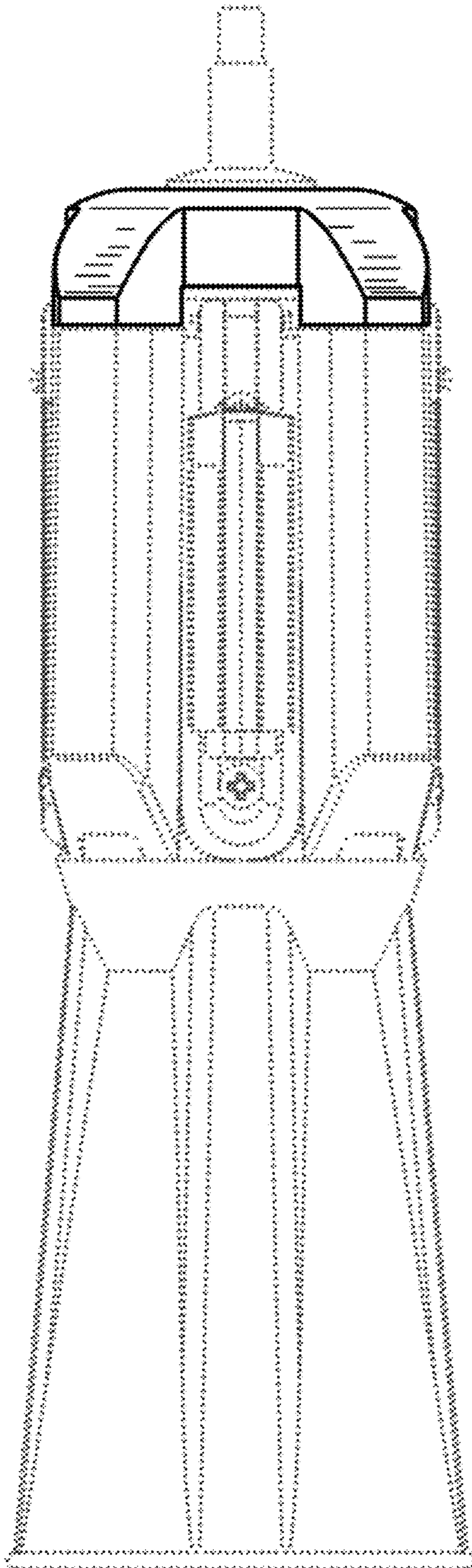
1.3



1.4



1.5



1.6

