



US00D796878S

(12) **United States Design Patent**
Burden

(10) **Patent No.:** **US D796,878 S**

(45) **Date of Patent:** **** Sep. 12, 2017**

(54) **TABLE**

(71) Applicant: **Ian James Burden**, Sovereign Islands (AU)

(72) Inventor: **Ian James Burden**, Sovereign Islands (AU)

(**) Term: **15 Years**

(21) Appl. No.: **29/547,596**

(22) Filed: **Dec. 4, 2015**

(30) **Foreign Application Priority Data**

Jun. 5, 2015 (AU) 20152897

(51) **LOC (10) Cl.** **06-03**

(52) **U.S. Cl.**
USPC **D6/692.1; D6/692.3**

(58) **Field of Classification Search**
USPC D6/685, 686, 691.1, 692, 692.1; 108/83, 108/86
CPC A47B 1/83; A47B 1/03
See application file for complete search history.

(56) **References Cited**

U.S. PATENT DOCUMENTS

| | | | | | |
|-----------|-----|---------|---------------|-------|----------------------|
| 1,766,694 | A * | 6/1930 | Siskin | | A47B 1/02 108/67 |
| 1,788,778 | A * | 1/1931 | Parsons | | A47B 1/02 108/67 |
| D124,658 | S * | 1/1941 | Teague et al. | | D6/686 |
| D145,966 | S * | 11/1946 | Baker | | 108/63 |
| D237,563 | S * | 11/1975 | Gerber et al. | | D21/397 |
| 4,553,485 | A * | 11/1985 | Lee | | A47B 1/03 108/86 |
| 4,794,869 | A * | 1/1989 | Chiu | | A47B 1/02 108/86 |
| 4,922,835 | A * | 5/1990 | Van Vliet | | A47B 3/12 108/185 |

| | | | | | |
|----------|-----|---------|------------|-------|----------|
| D406,206 | S * | 3/1999 | Grosfillex | | D6/692 |
| D499,904 | S * | 12/2004 | Roberts | | D6/692.1 |
| D502,335 | S * | 3/2005 | O'Hare | | D6/686 |
| D515,338 | S * | 2/2006 | Berry | | D6/691.5 |
| D640,885 | S * | 7/2011 | Clark | | D6/691 |
| D720,562 | S * | 1/2015 | Burden | | D6/671.1 |
| D764,842 | S * | 8/2016 | Burden | | D6/675.1 |
| D766,021 | S * | 9/2016 | Burden | | D6/671.1 |

(Continued)

Primary Examiner — Caron D Veynar

Assistant Examiner — Mehri Bajoul

(74) *Attorney, Agent, or Firm* — Dykema Gossett PLLC

(57) **CLAIM**

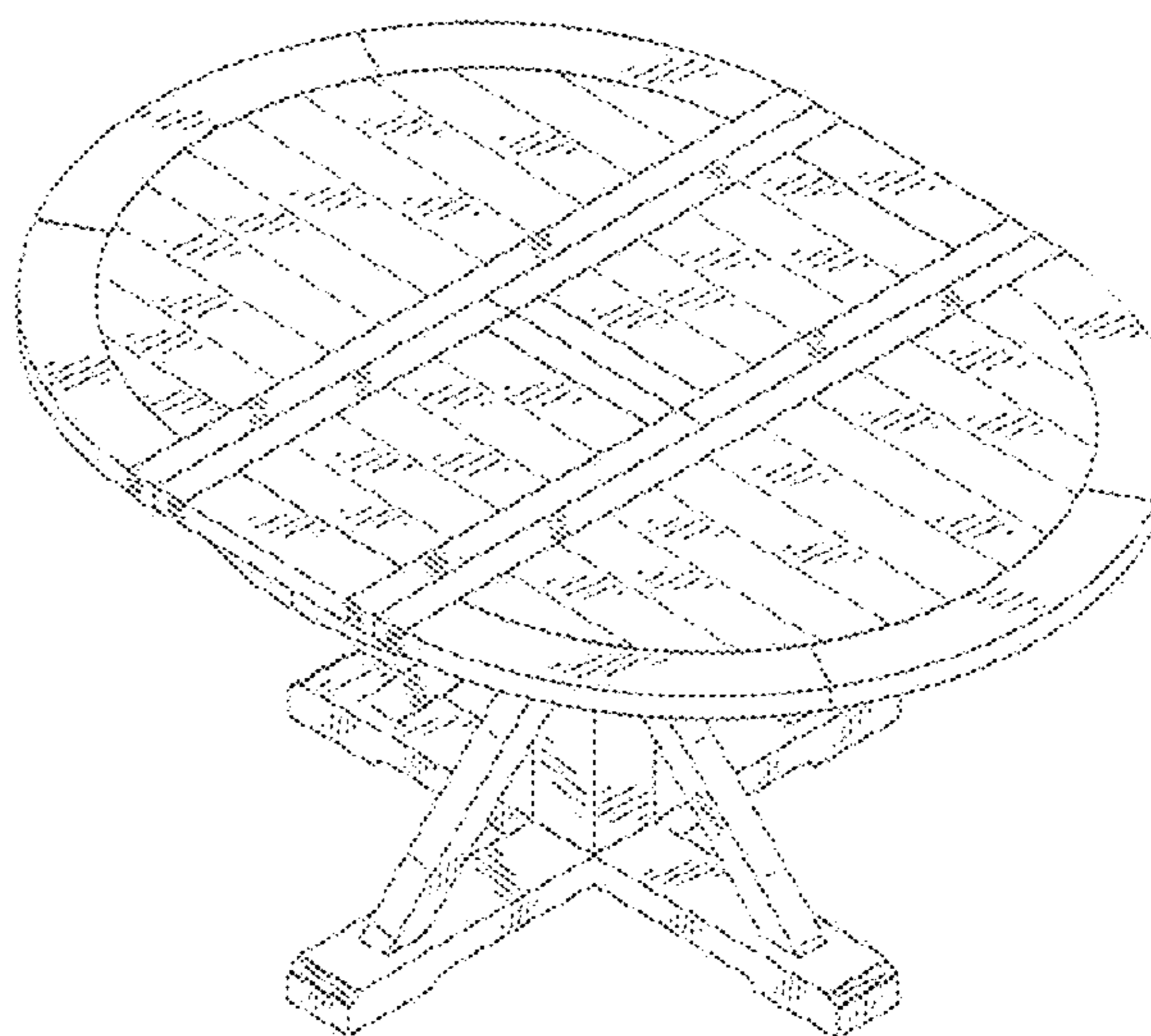
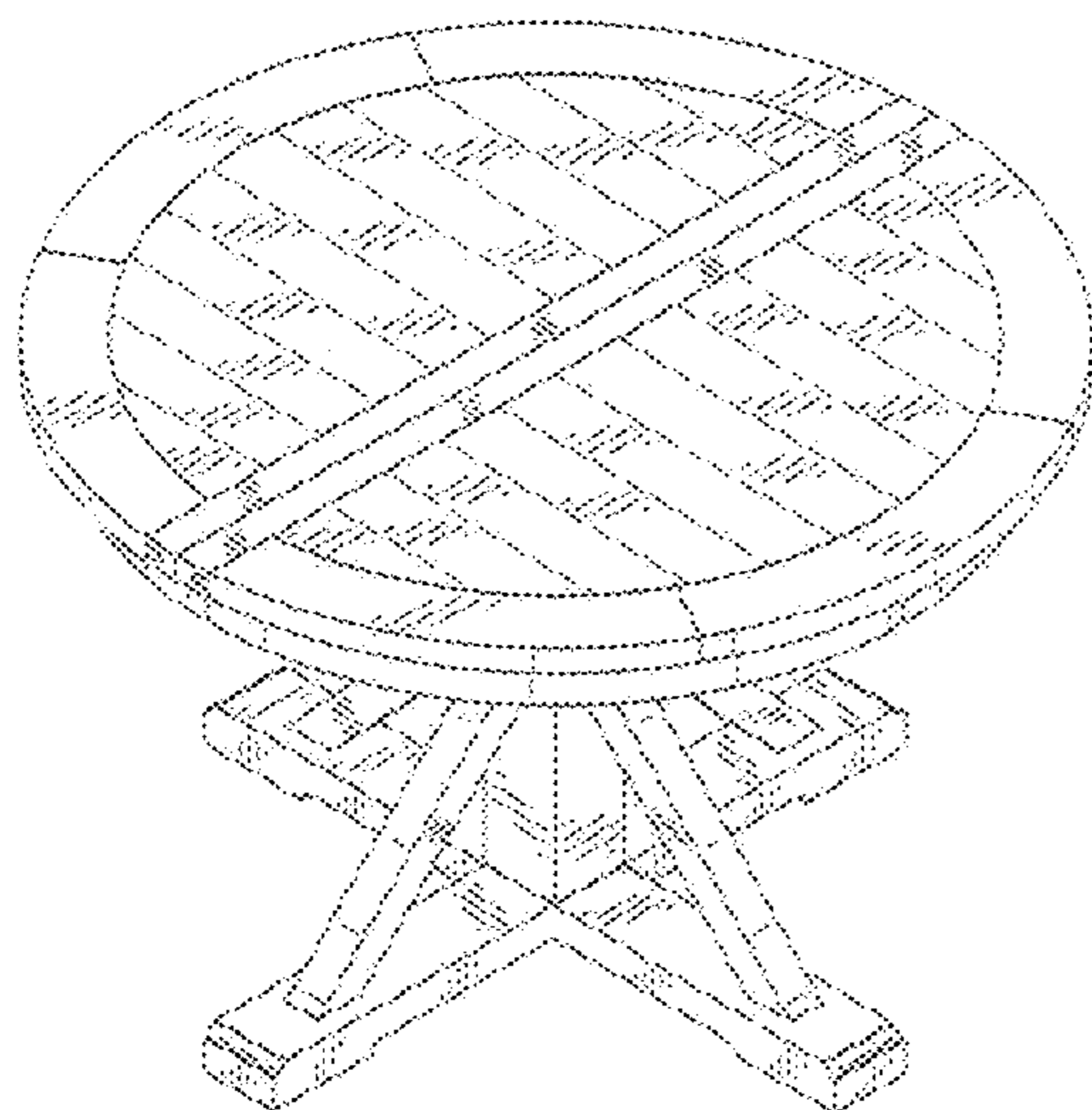
The ornamental design for a table, as shown and described.

DESCRIPTION

FIG. 1 is a left perspective view of a table according to my new and ornamental design when in a retracted state, FIG. 2 is a right perspective view thereof, FIG. 3 is a top plan view thereof, FIG. 4 is a bottom plan view thereof, FIG. 5 is a front side view thereof, FIG. 6 is a rear side view thereof, FIG. 7 is a right side view thereof, FIG. 8 is a left side view thereof, FIG. 9 is a left perspective view of the table when in an expanded state (includes top insert), FIG. 10 is a right perspective view thereof, FIG. 11 is a top plan view thereof, FIG. 12 is a bottom plan view thereof, FIG. 13 is a front side view thereof, FIG. 14 is a rear side view thereof, FIG. 15 is a right side view thereof; and, FIG. 16 is a left side view thereof.

The features depicted in broken lines in FIG. 4-8, 12 and 15 depict environment and form no part of the claimed invention.

1 Claim, 16 Drawing Sheets



(56)

References Cited

U.S. PATENT DOCUMENTS

| | | | | |
|--------------|------|--------|-------------|-----------|
| 2006/0075940 | A1 * | 4/2006 | Dodge | A47B 1/03 |
| | | | | 108/86 |
| 2013/0047898 | A1 * | 2/2013 | Lee | A47B 1/03 |
| | | | | 108/86 |

* cited by examiner

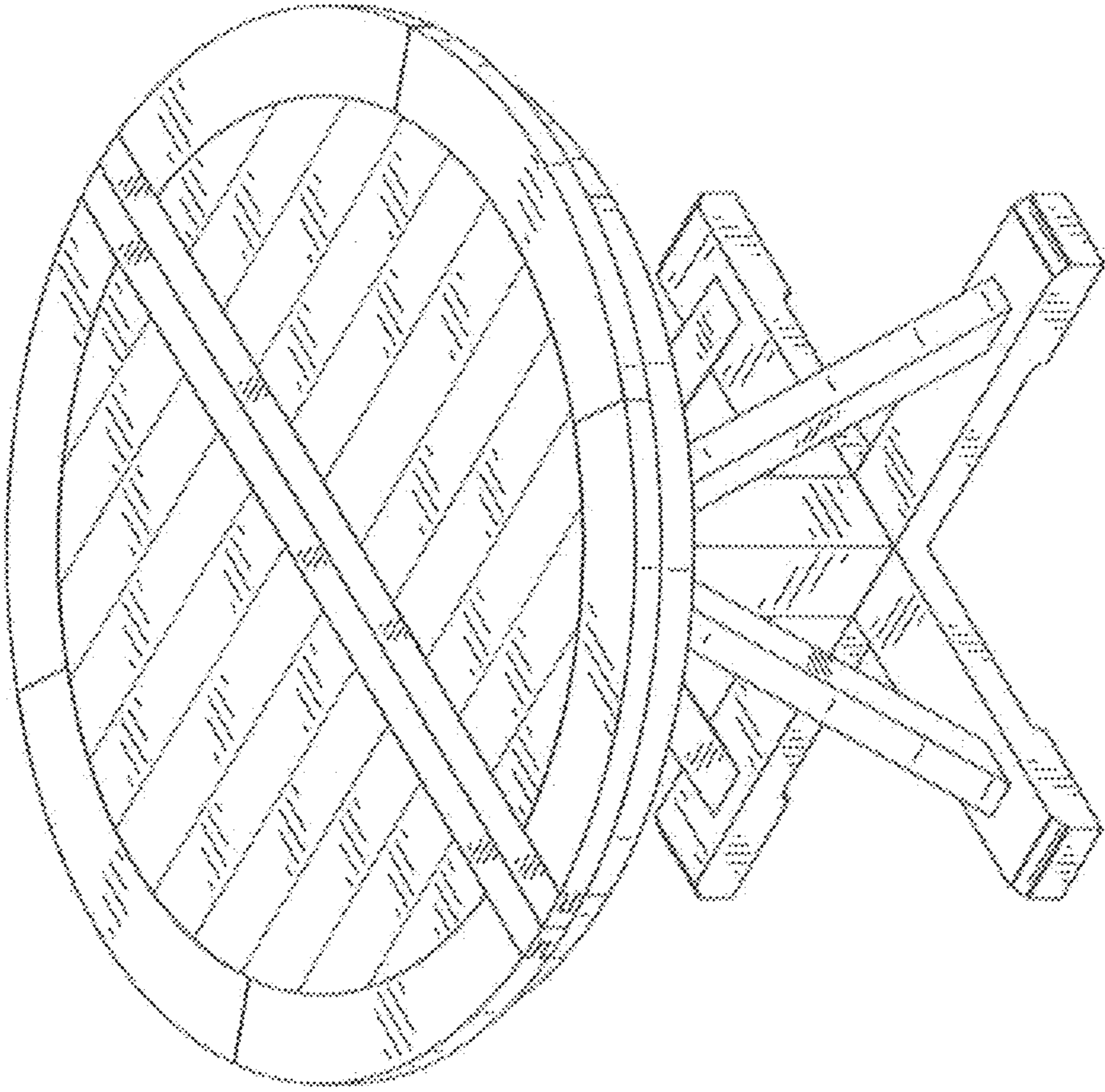


FIG. 1

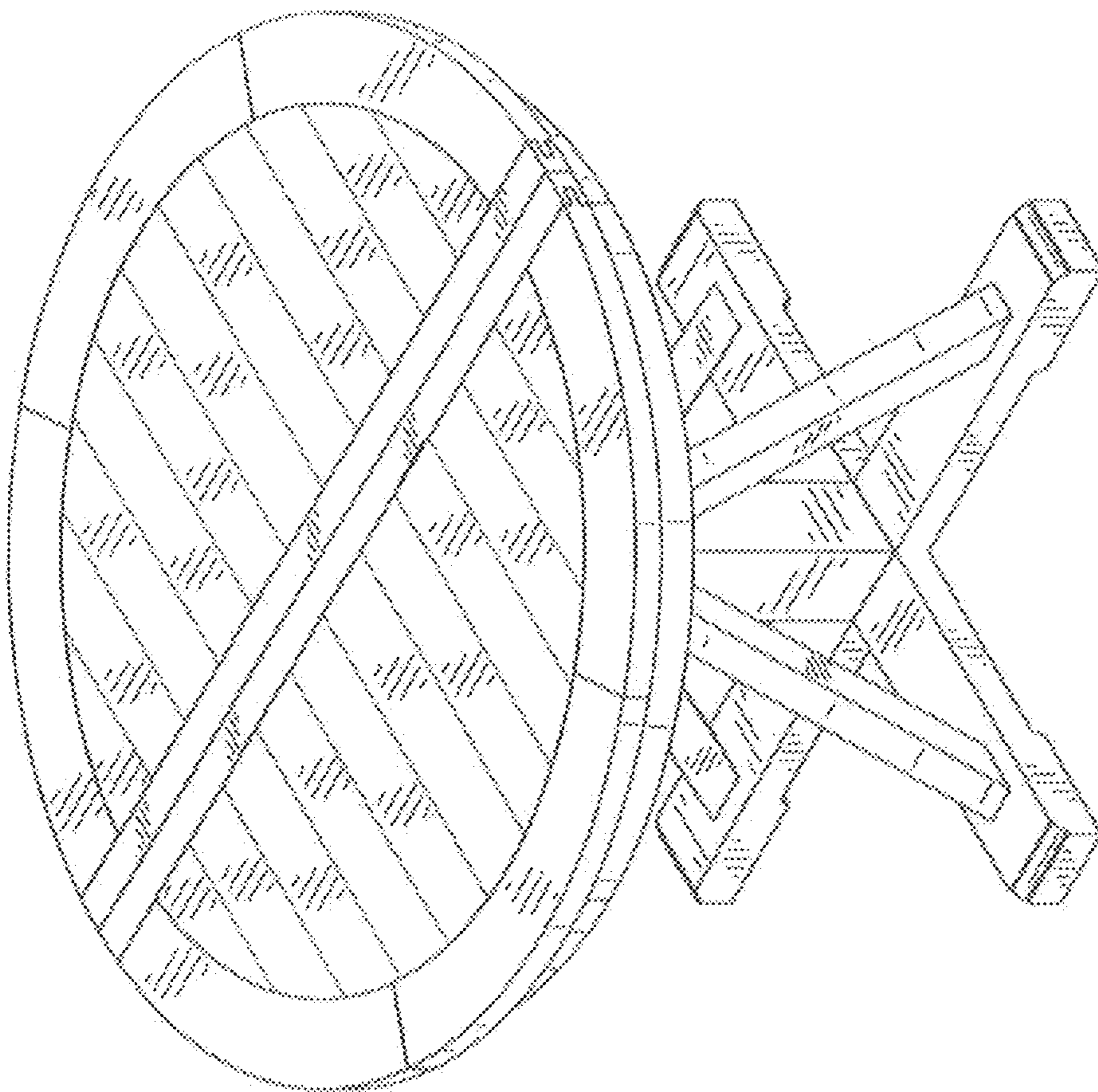


FIG. 2

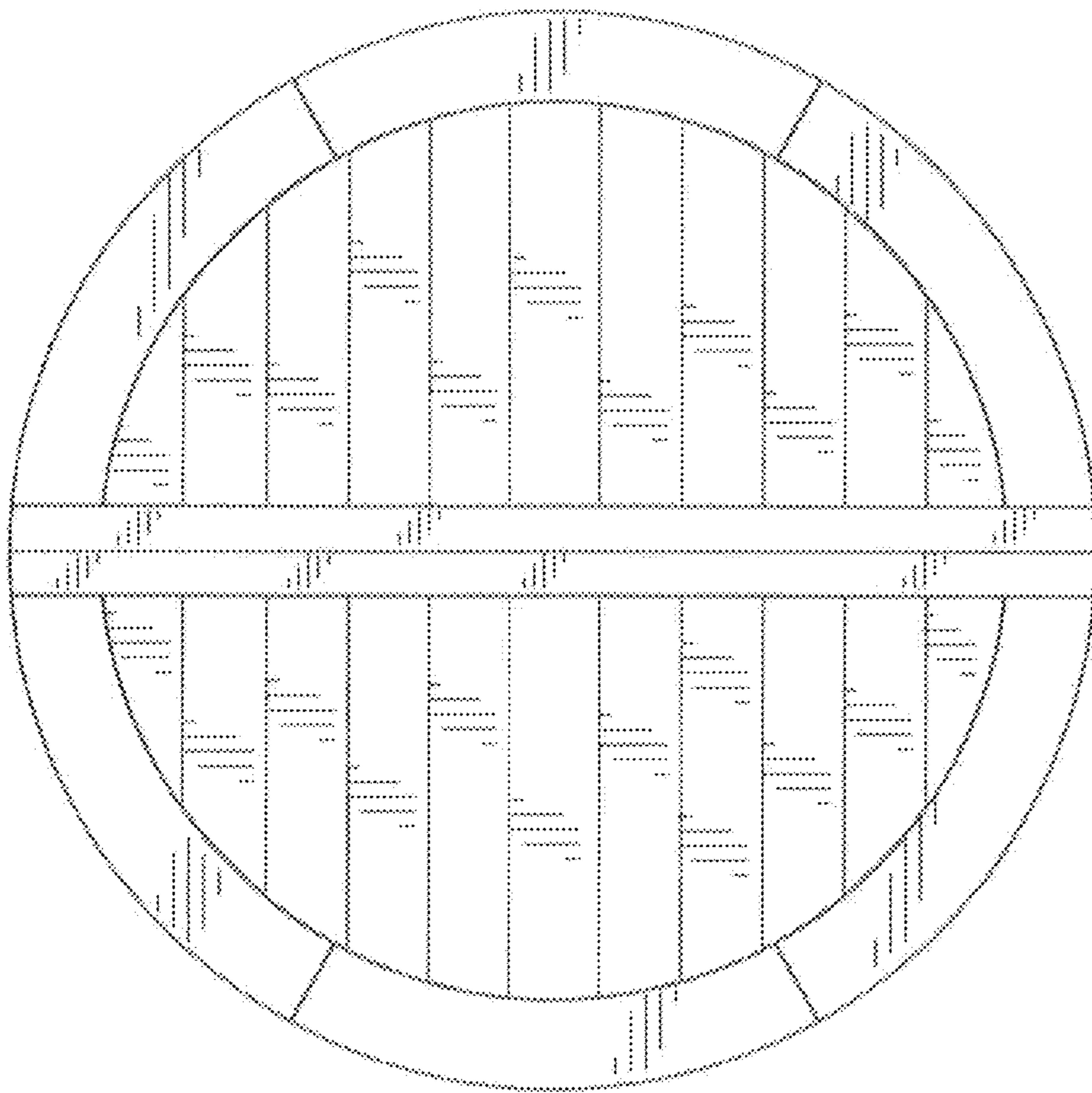


FIG. 3

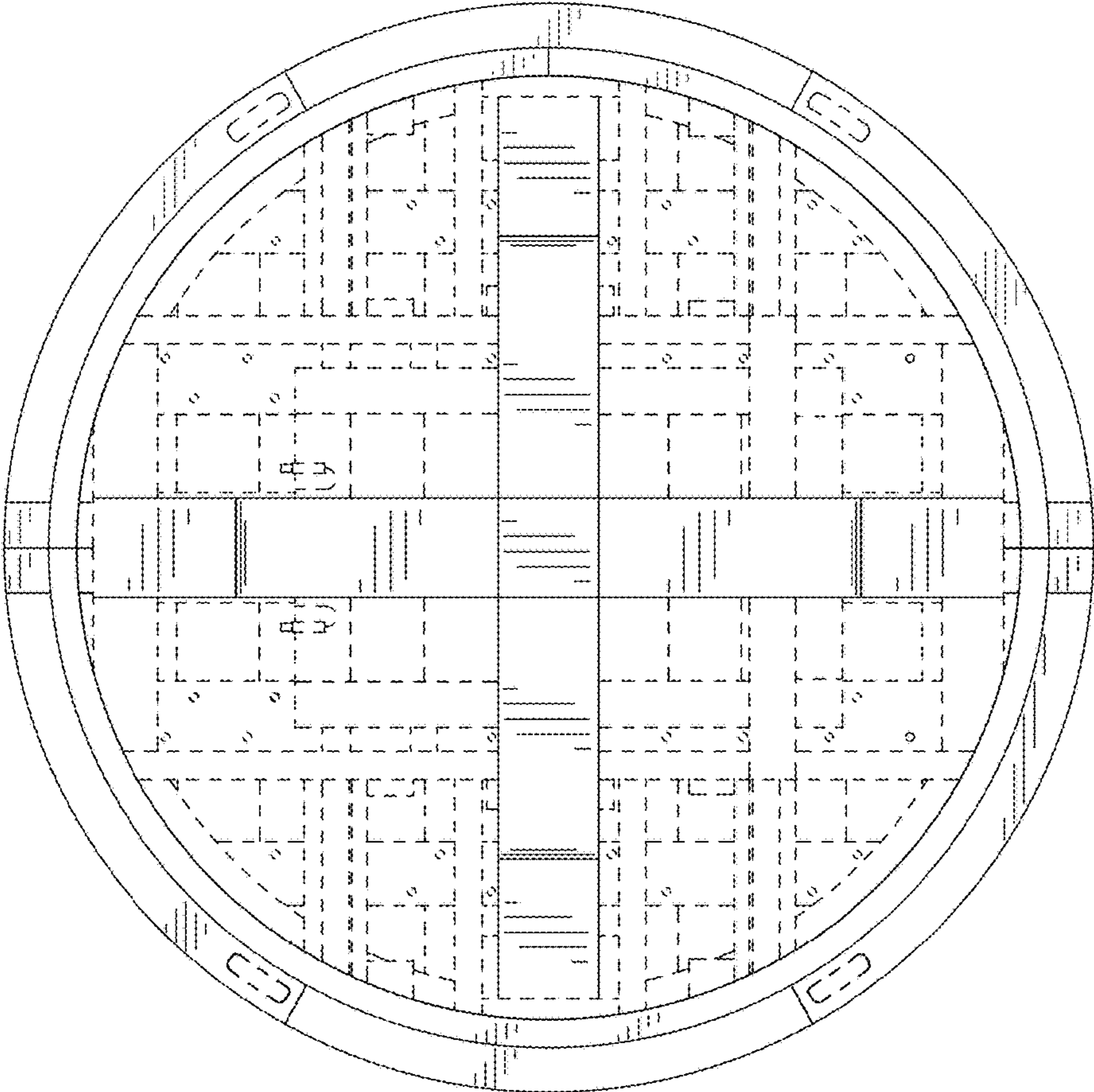


FIG. 4

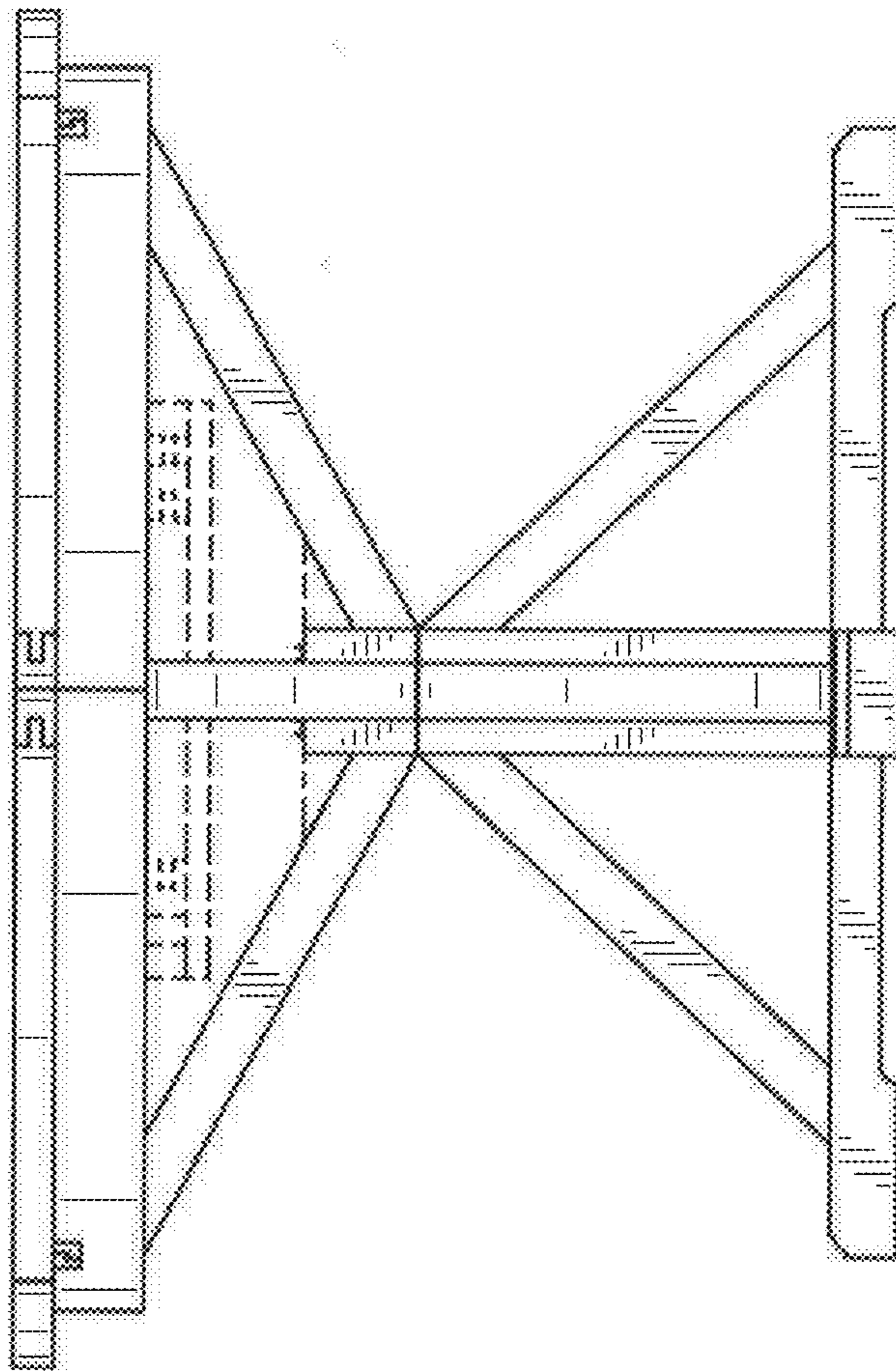


FIG. 5

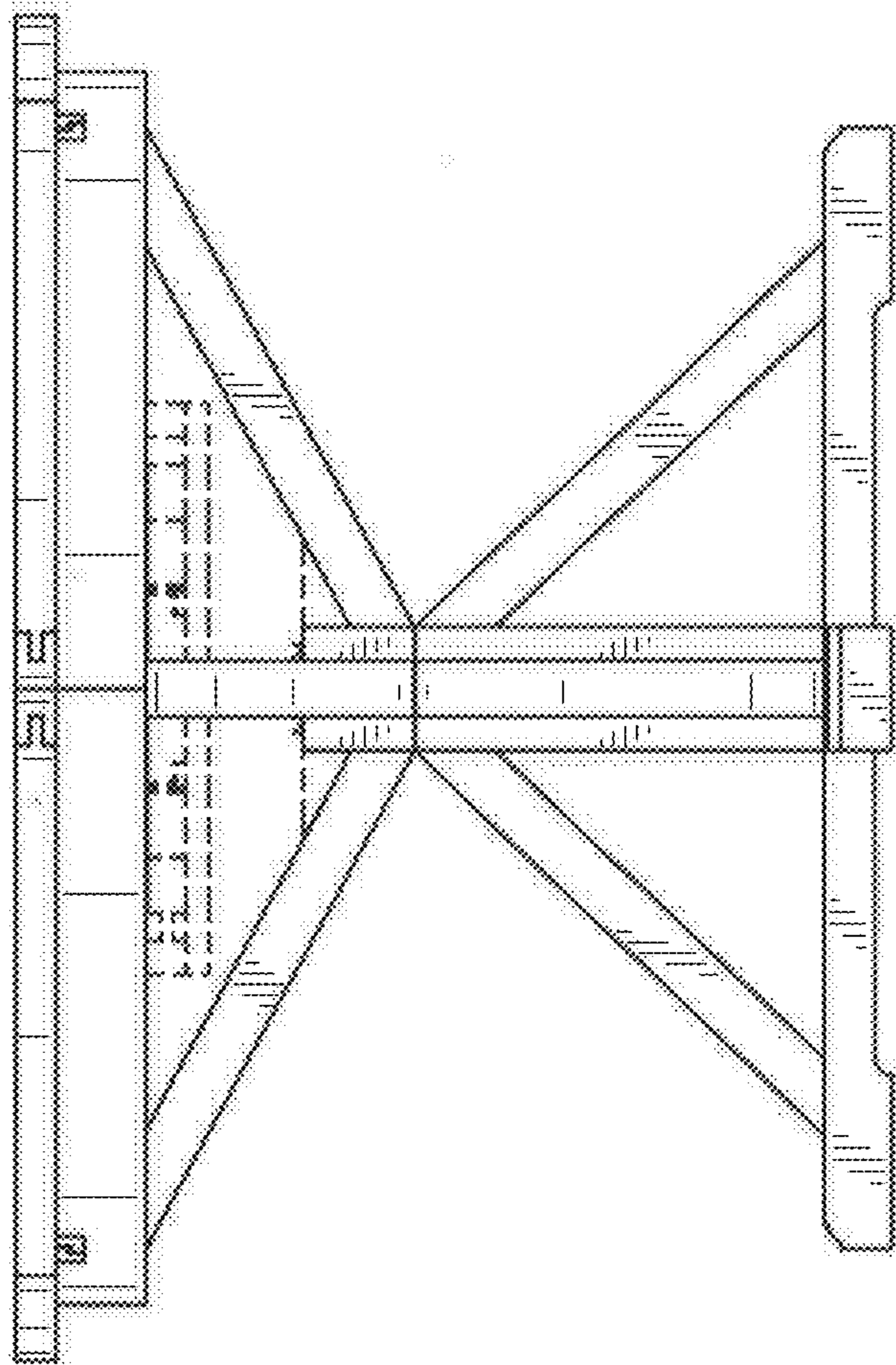


FIG. 6

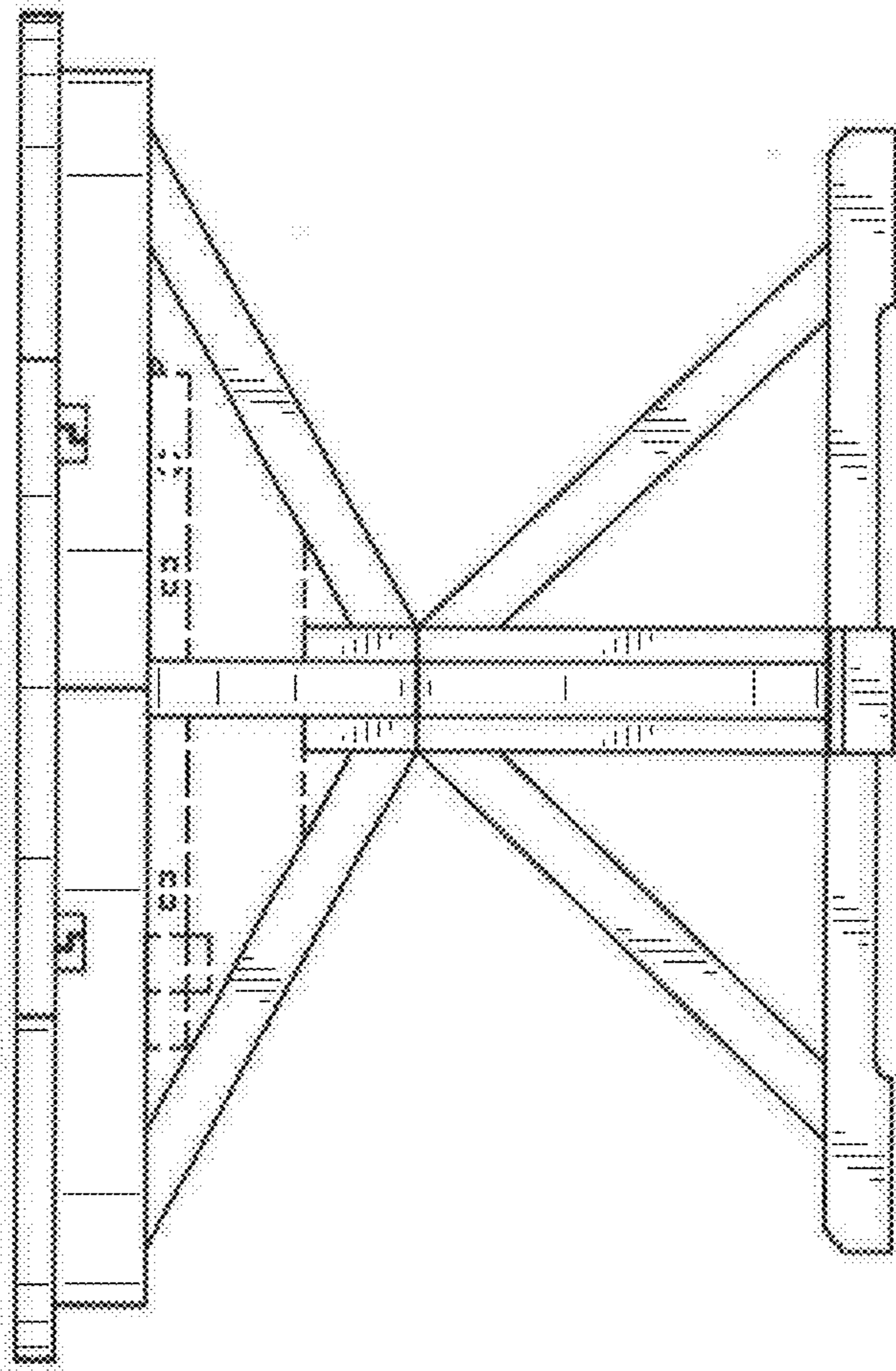


FIG. 7

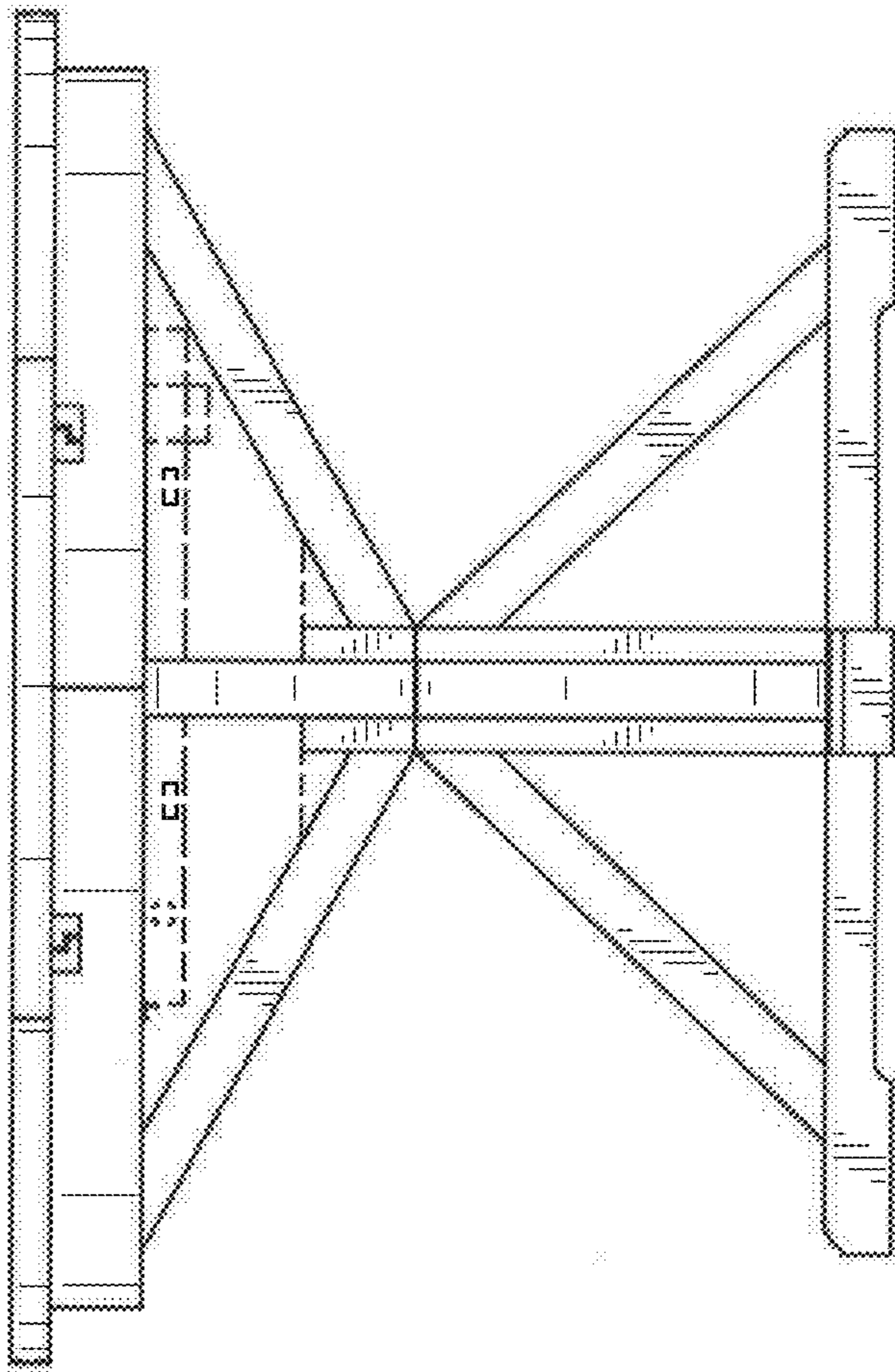


FIG. 8

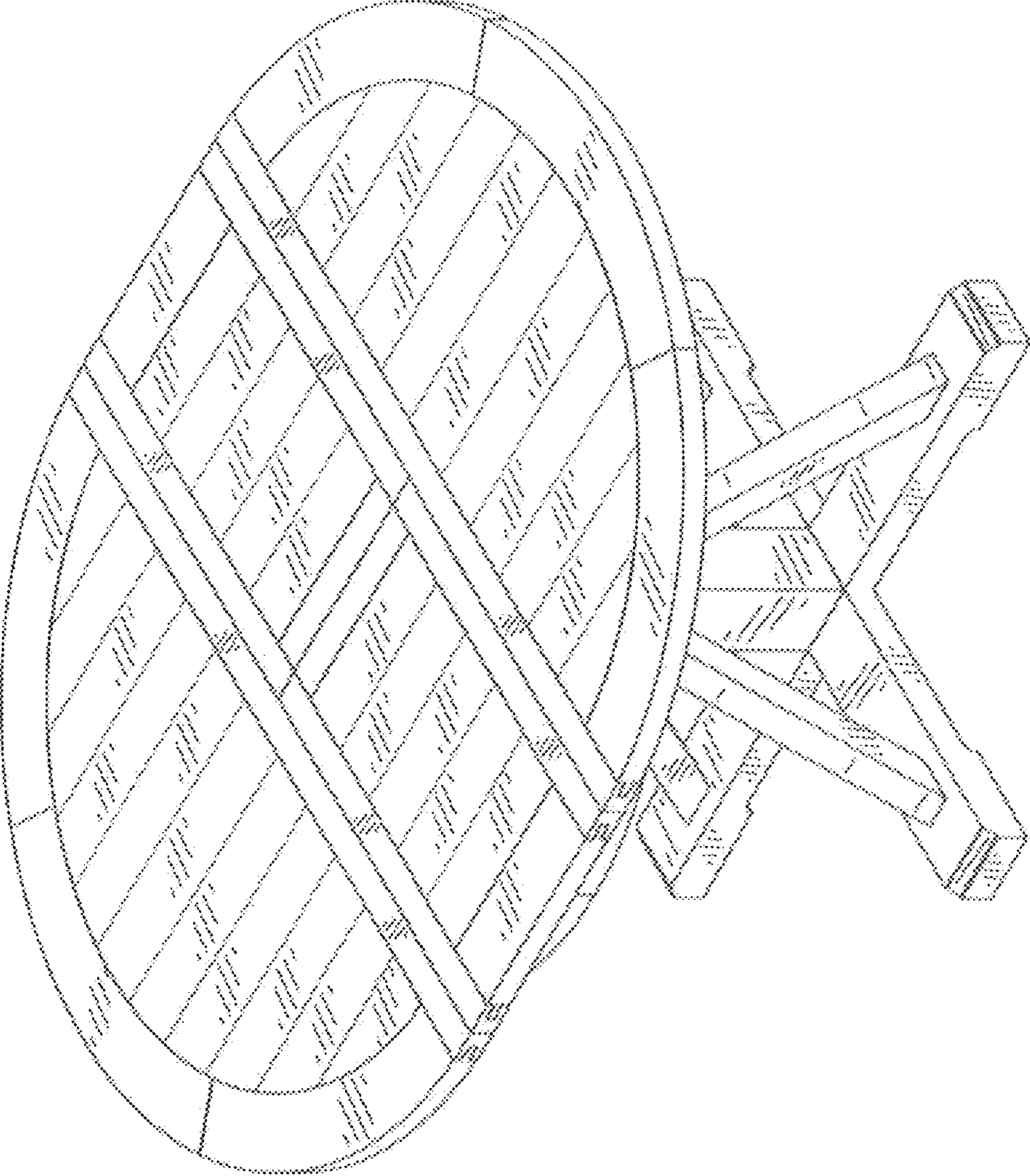


FIG. 9

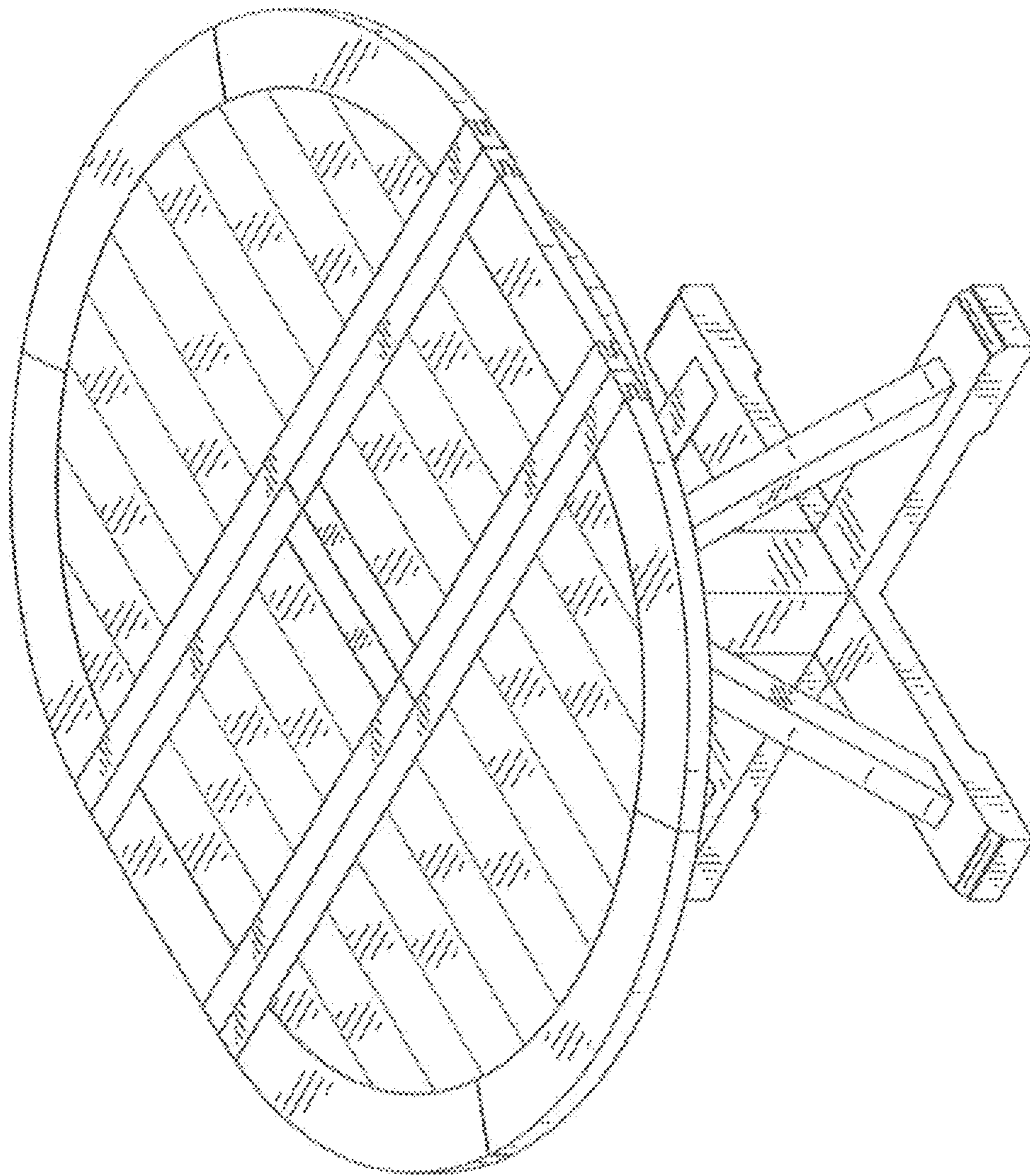


FIG. 10

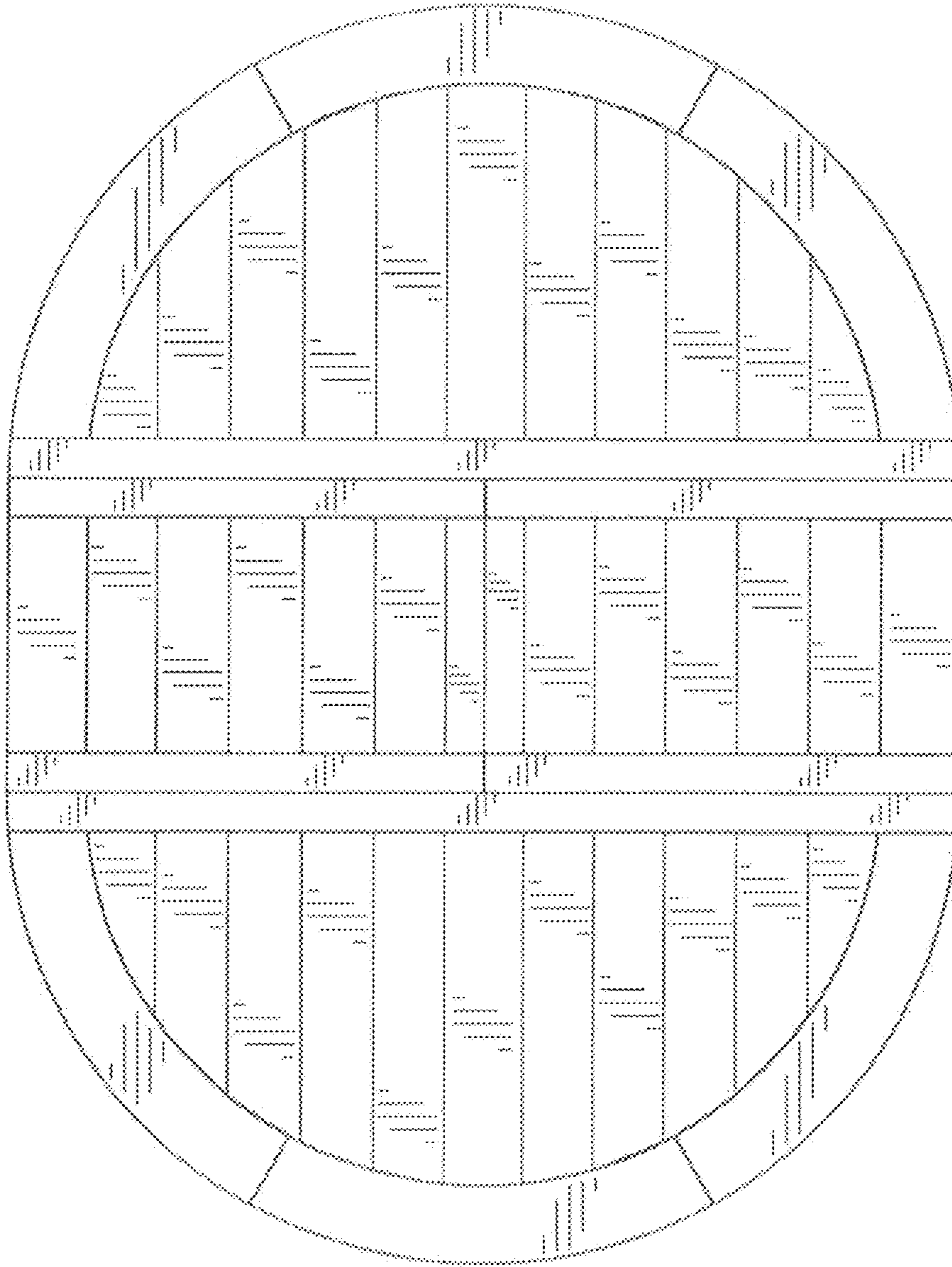


FIG. 11

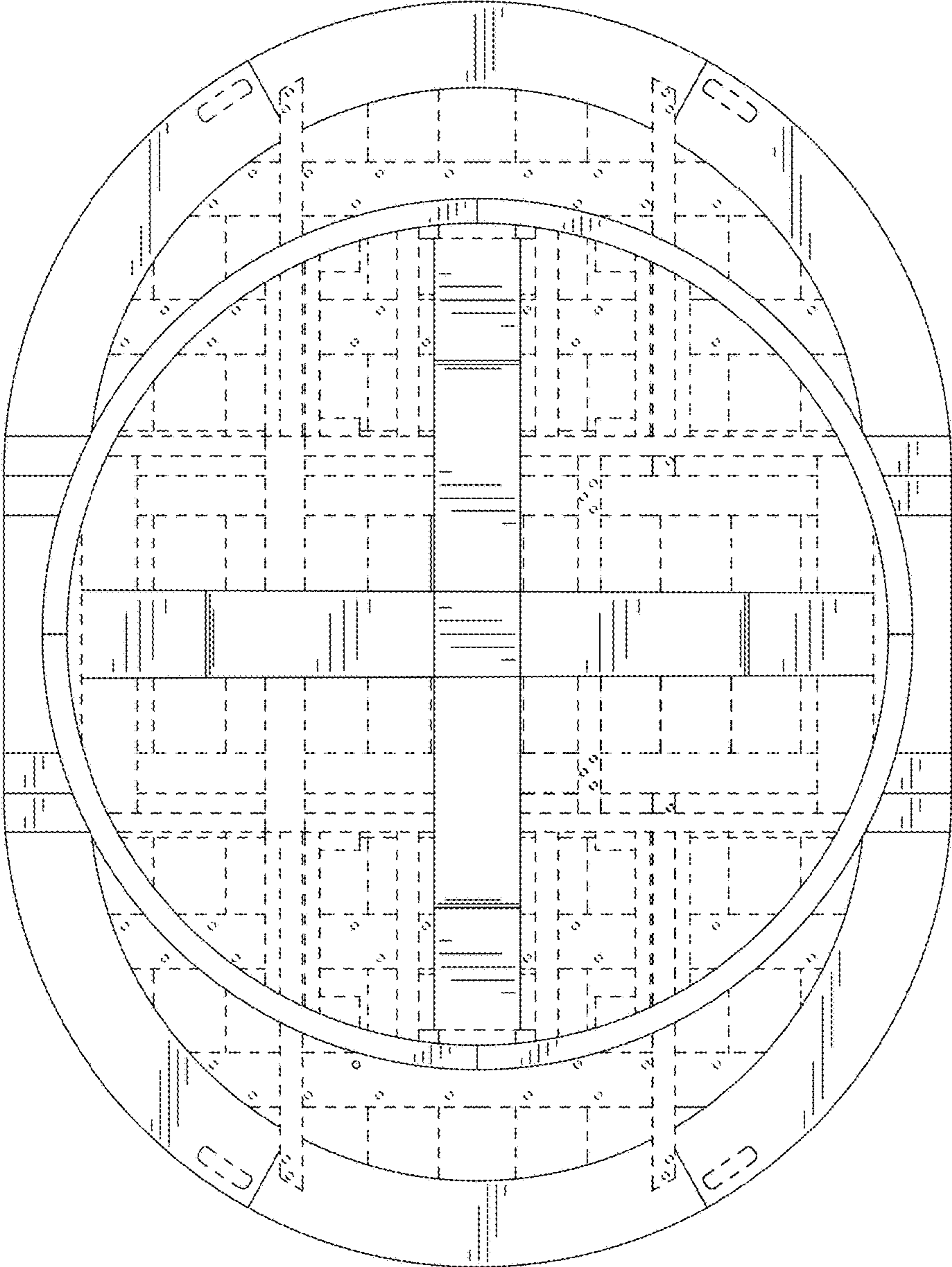


FIG. 12

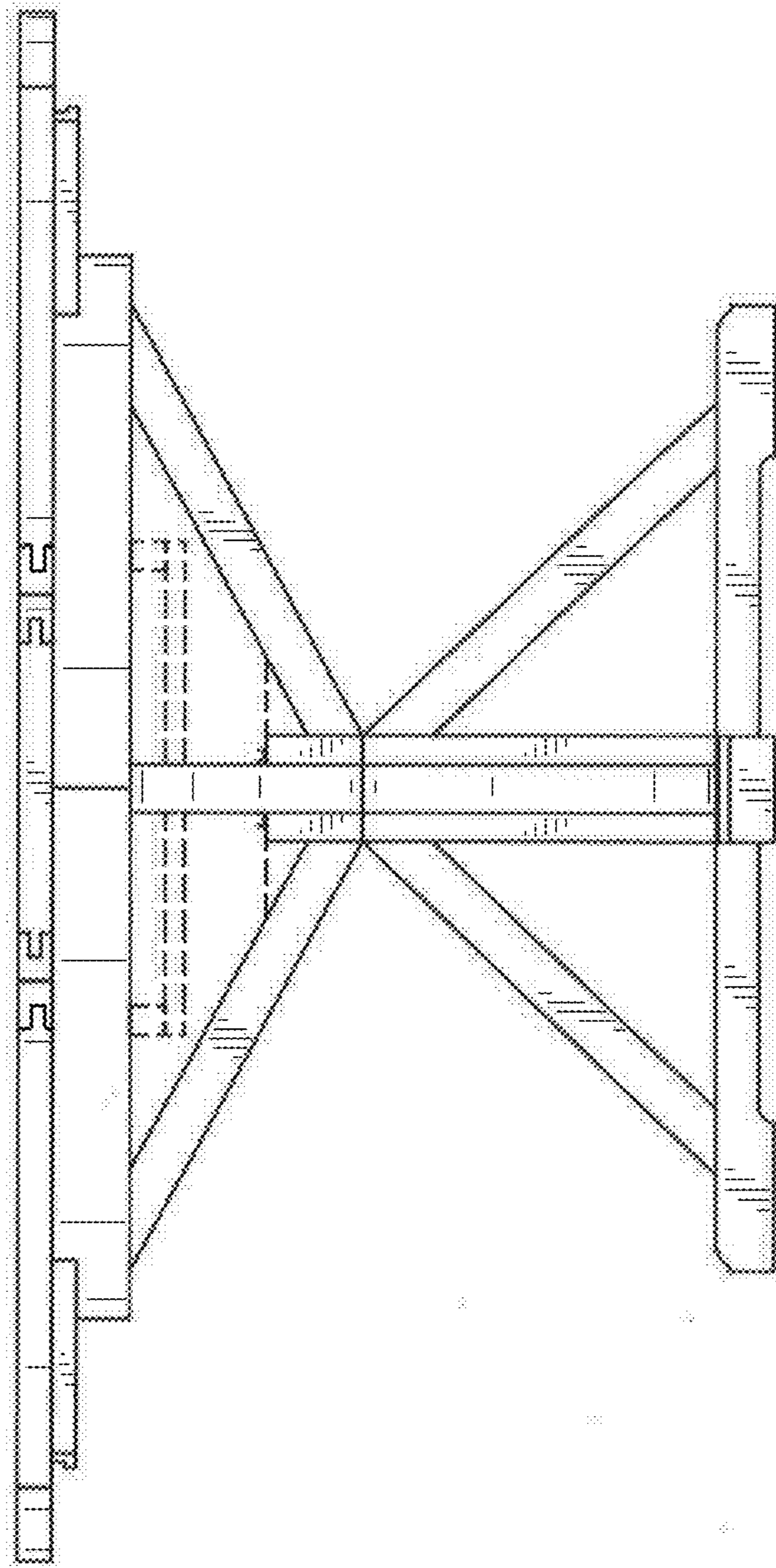


FIG. 13

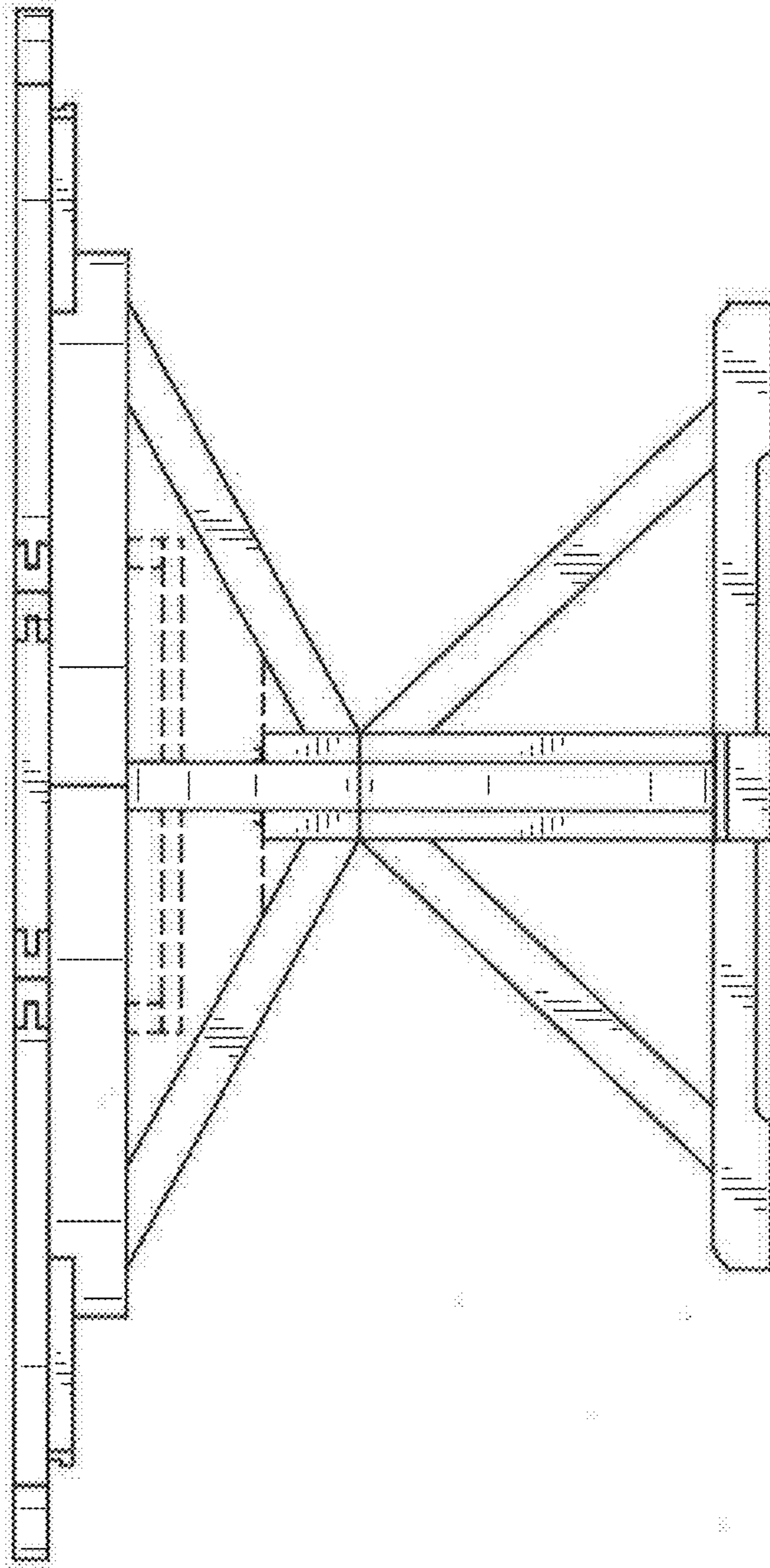


FIG. 14

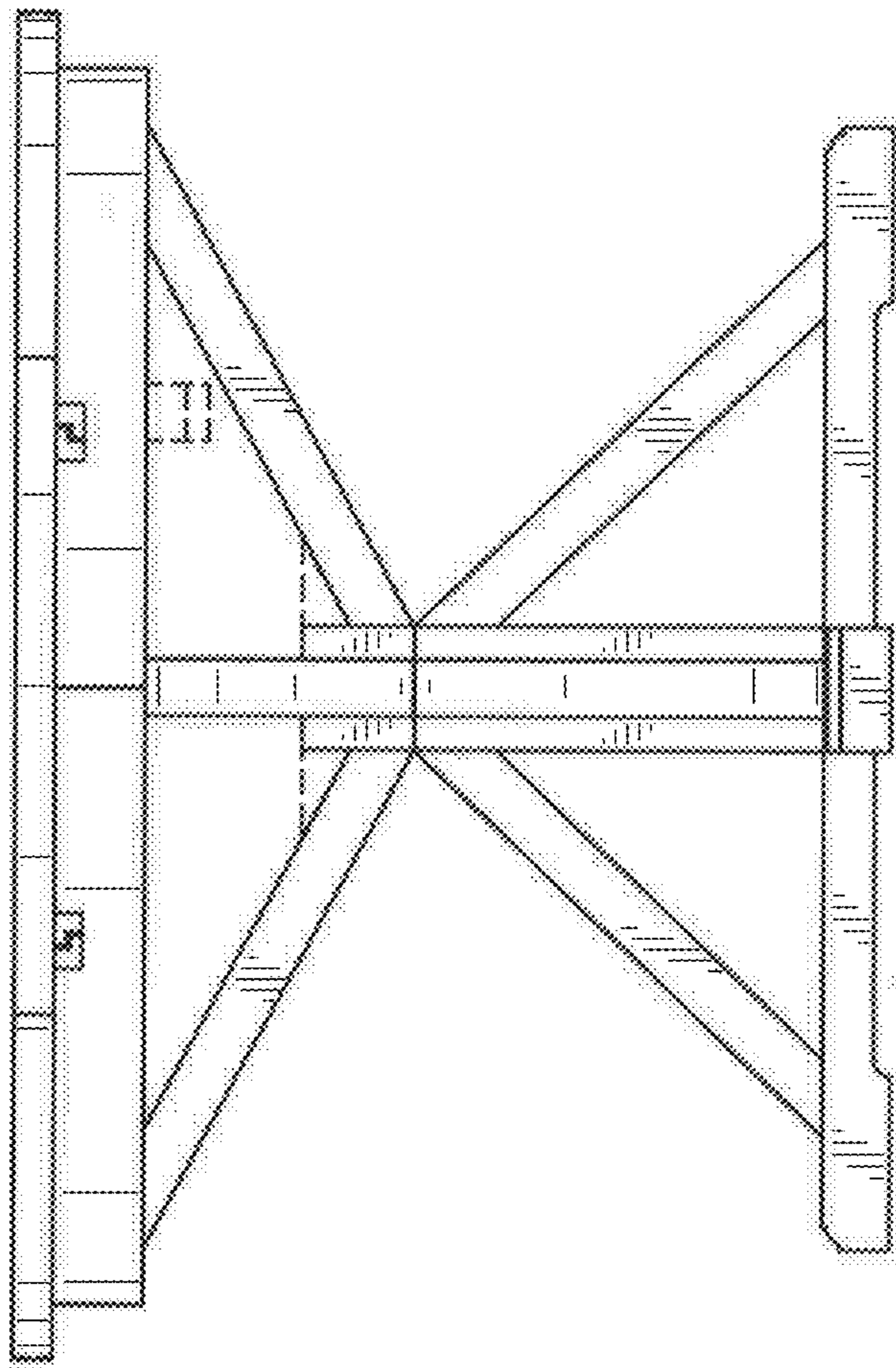


FIG. 15

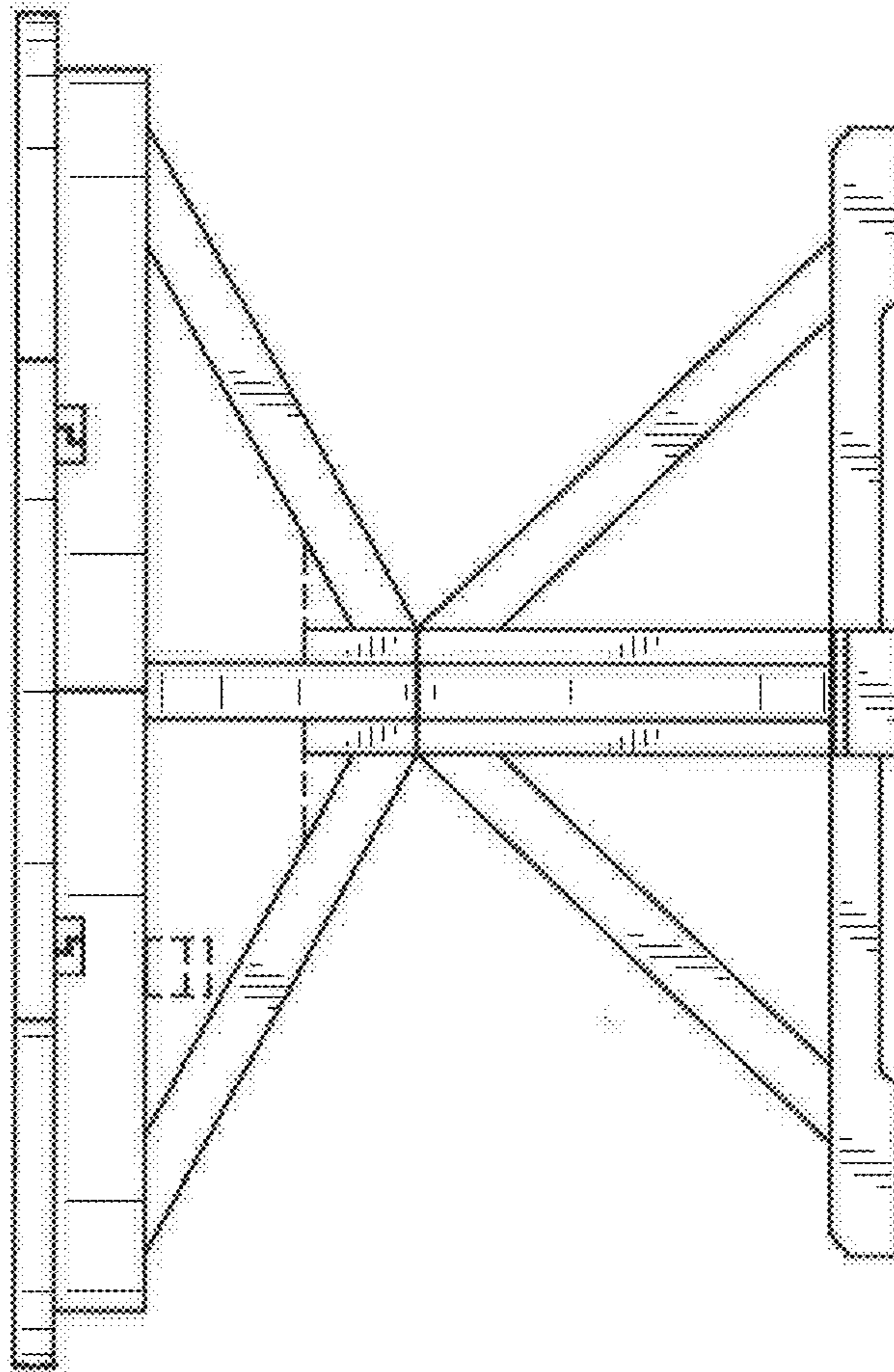


FIG. 16

UNITED STATES PATENT AND TRADEMARK OFFICE
CERTIFICATE OF CORRECTION

PATENT NO. : D796,878 S
APPLICATION NO. : 29/547596
DATED : September 12, 2017
INVENTOR(S) : Burden

Page 1 of 1

It is certified that error appears in the above-identified patent and that said Letters Patent is hereby corrected as shown below:

(30) Foreign Application Priority Data should read:
June 5, 2015 (AU) --201512897--

Signed and Sealed this
Seventeenth Day of October, 2017



Joseph Matal
*Performing the Functions and Duties of the
Under Secretary of Commerce for Intellectual Property and
Director of the United States Patent and Trademark Office*