



US00D796877S

(12) **United States Design Patent**
Hildebrand

(10) **Patent No.:** **US D796,877 S**

(45) **Date of Patent:** **** Sep. 12, 2017**

(54) **RACK APPARATUS**

(71) Applicant: **Steven Hildebrand**, Kindred, ND (US)

(72) Inventor: **Steven Hildebrand**, Kindred, ND (US)

(**) Term: **15 Years**

(21) Appl. No.: **29/587,063**

(22) Filed: **Dec. 9, 2016**

Related U.S. Application Data

(63) Continuation of application No. 15/232,748, filed on Aug. 9, 2016, now Pat. No. 9,615,661.

(51) **LOC (10) Cl.** **06-06**

(52) **U.S. Cl.**
USPC **D6/680.2**

(58) **Field of Classification Search**
USPC D6/672, 673, 680, 680.2, 681, 681.1,
D6/681.2, 682, 682.1, 682.2
CPC A47B 81/005; A47B 96/14; A47F 5/0018;
A47F 5/0025
See application file for complete search history.

(56) **References Cited**

U.S. PATENT DOCUMENTS

D238,543 S * 1/1976 Lechner 100/1
D256,640 S * 9/1980 Farwell D7/701
D260,466 S * 9/1981 Butcher D6/682.6

D318,384 S * 7/1991 Terrell D6/680
5,188,240 A * 2/1993 Marino A47B 81/067
206/308.1
D334,854 S * 4/1993 Pestone D6/680.3
6,311,856 B2 * 11/2001 Battaglia A47B 57/54
108/107
D494,776 S * 8/2004 Metz D6/680.2
D677,937 S * 3/2013 Nielsen D6/680.2
D754,992 S * 5/2016 Brown D6/675

* cited by examiner

Primary Examiner — Kelley Donnelly

(74) *Attorney, Agent, or Firm* — The Keys Law Firm
PLLC

(57) **CLAIM**

The ornamental design for a rack apparatus, as shown and described.

DESCRIPTION

FIG. 1 is a side perspective view of a rack apparatus of the new design;

FIG. 2 is a top plan view thereof;

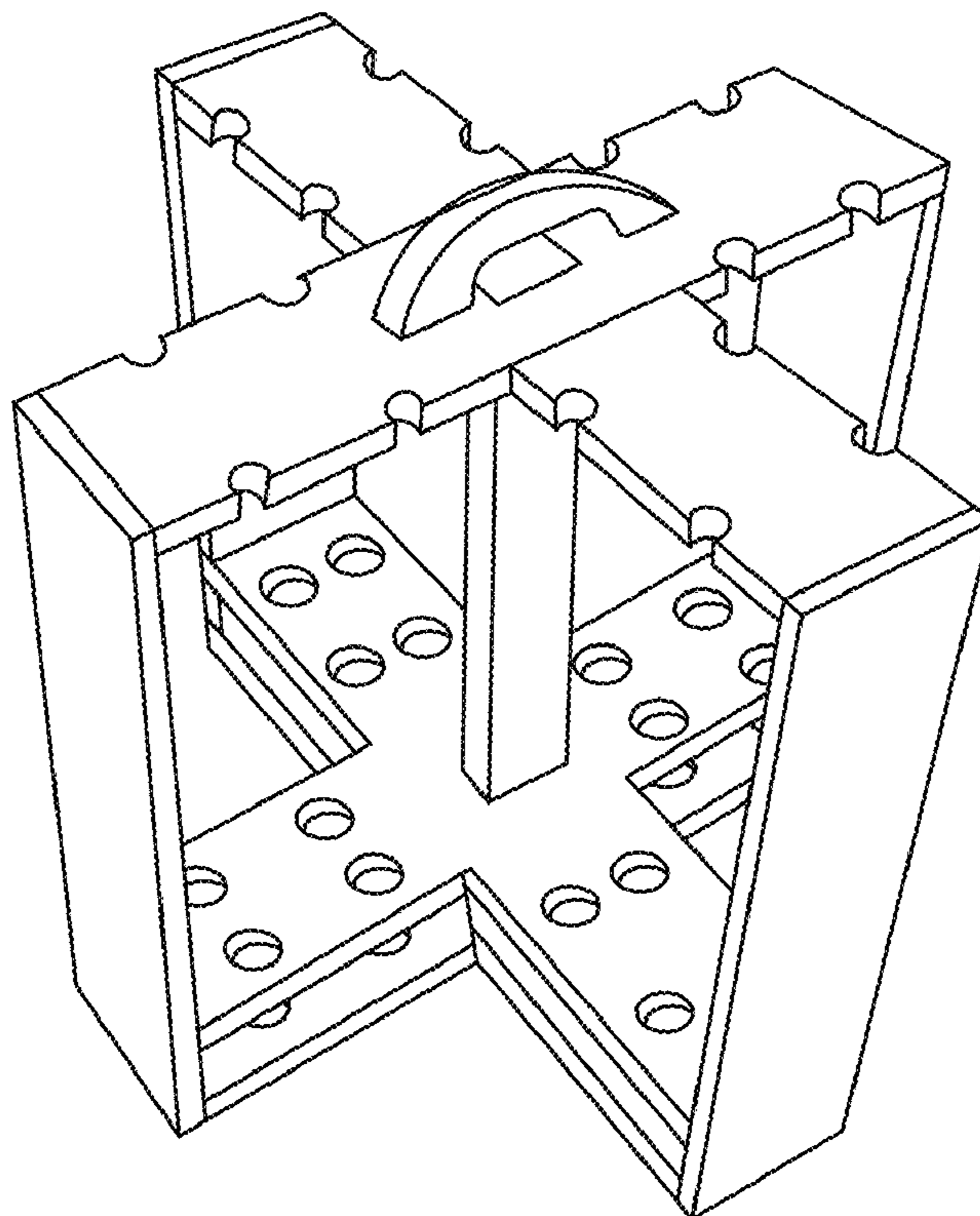
FIG. 3 is a bottom plan view thereof;

FIG. 4 is a side elevational view thereof shown with an environmental element; and,

FIG. 5 is a side perspective view thereof shown with an environmental element.

The broken lines depict environmental subject matter only and form no part of the claimed design.

1 Claim, 3 Drawing Sheets



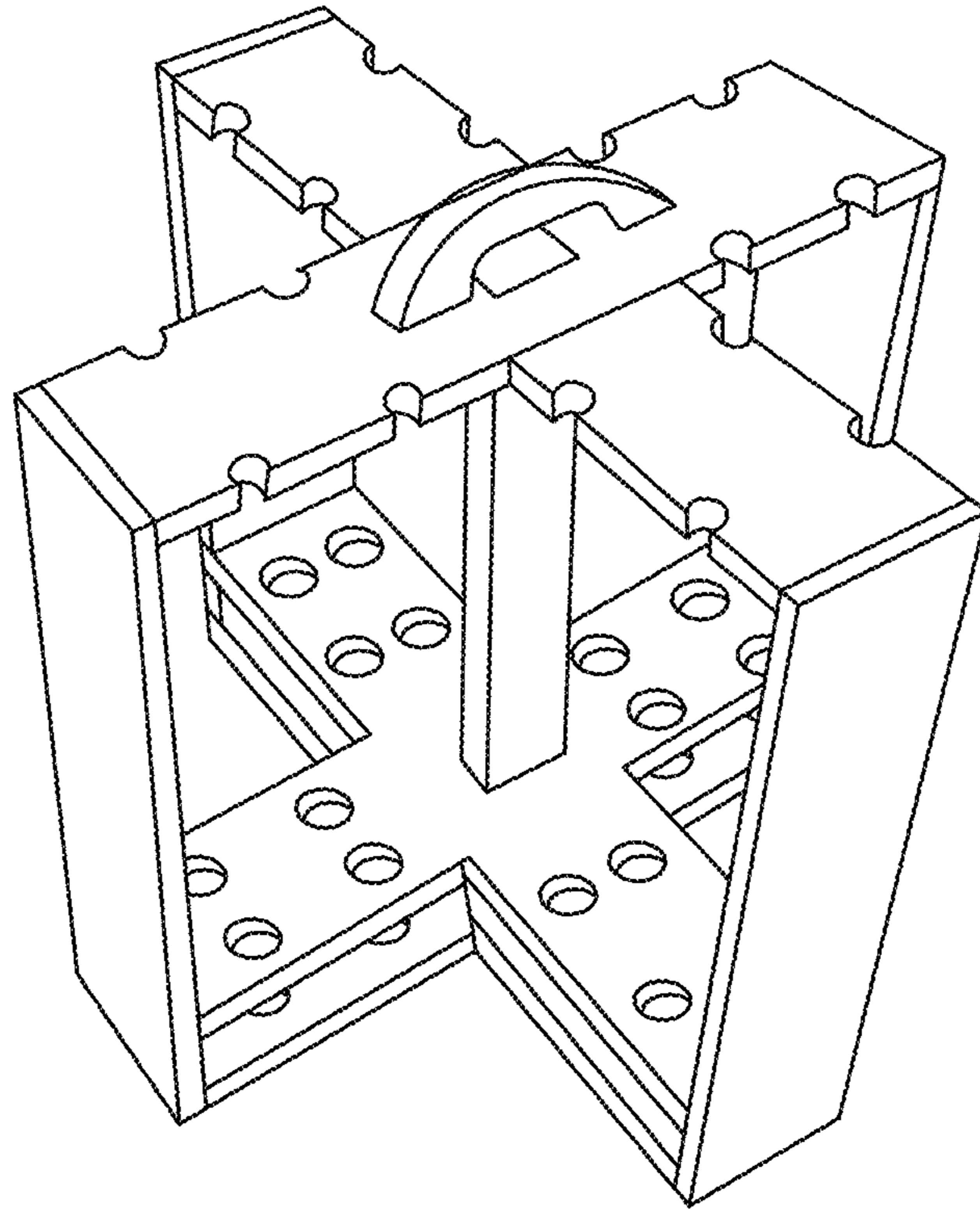


FIG. 1

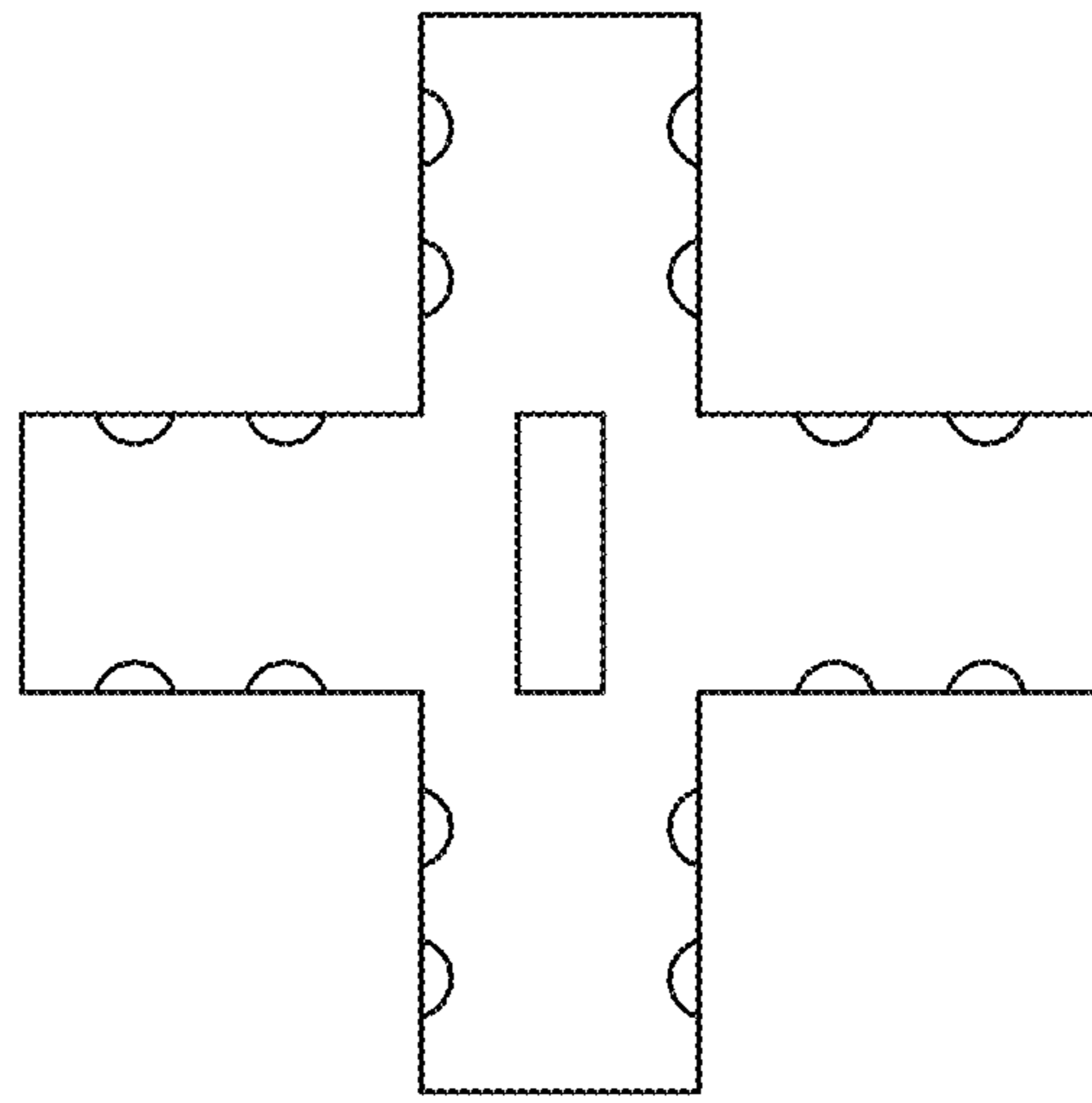


FIG. 2

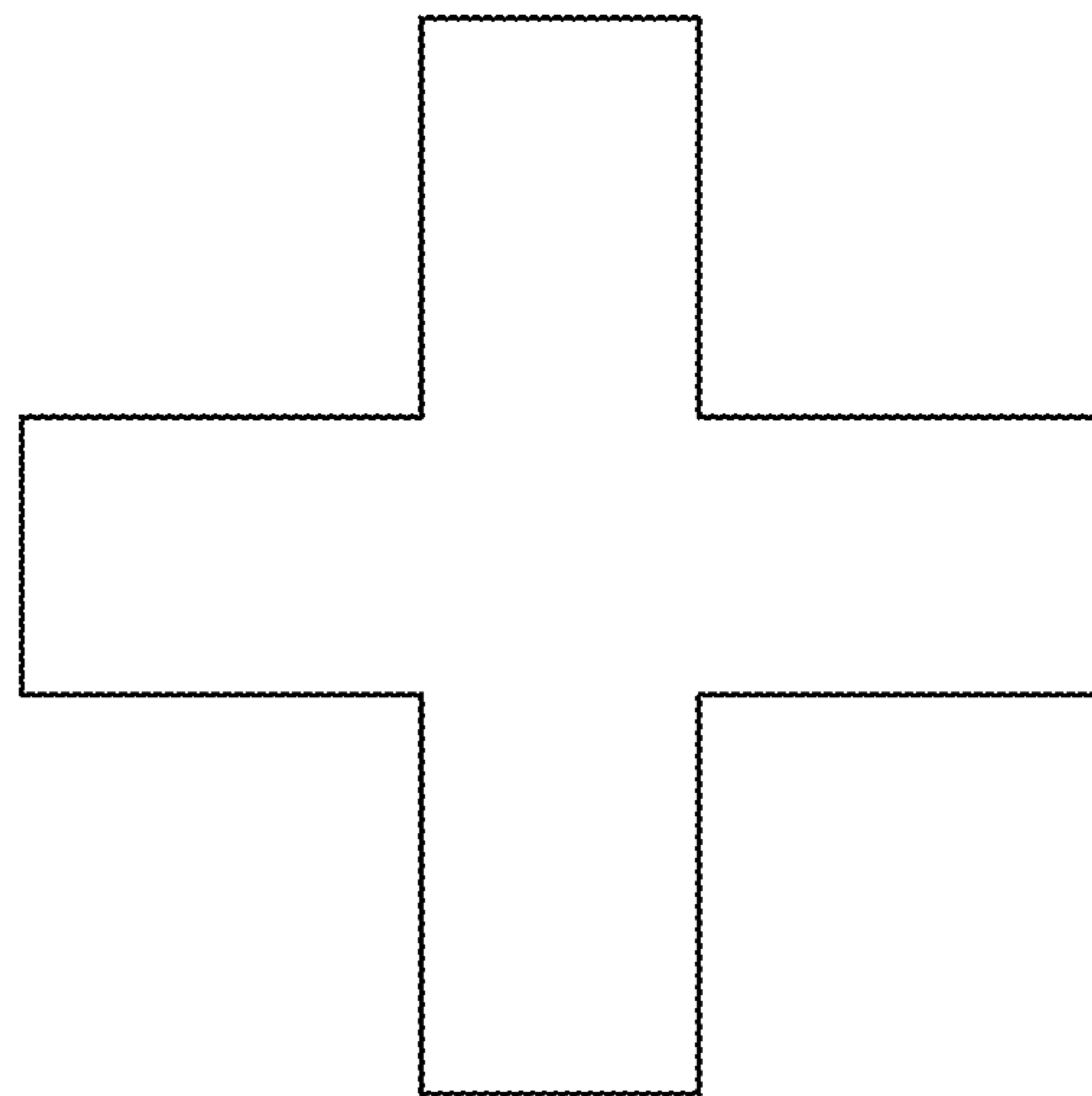


FIG. 3

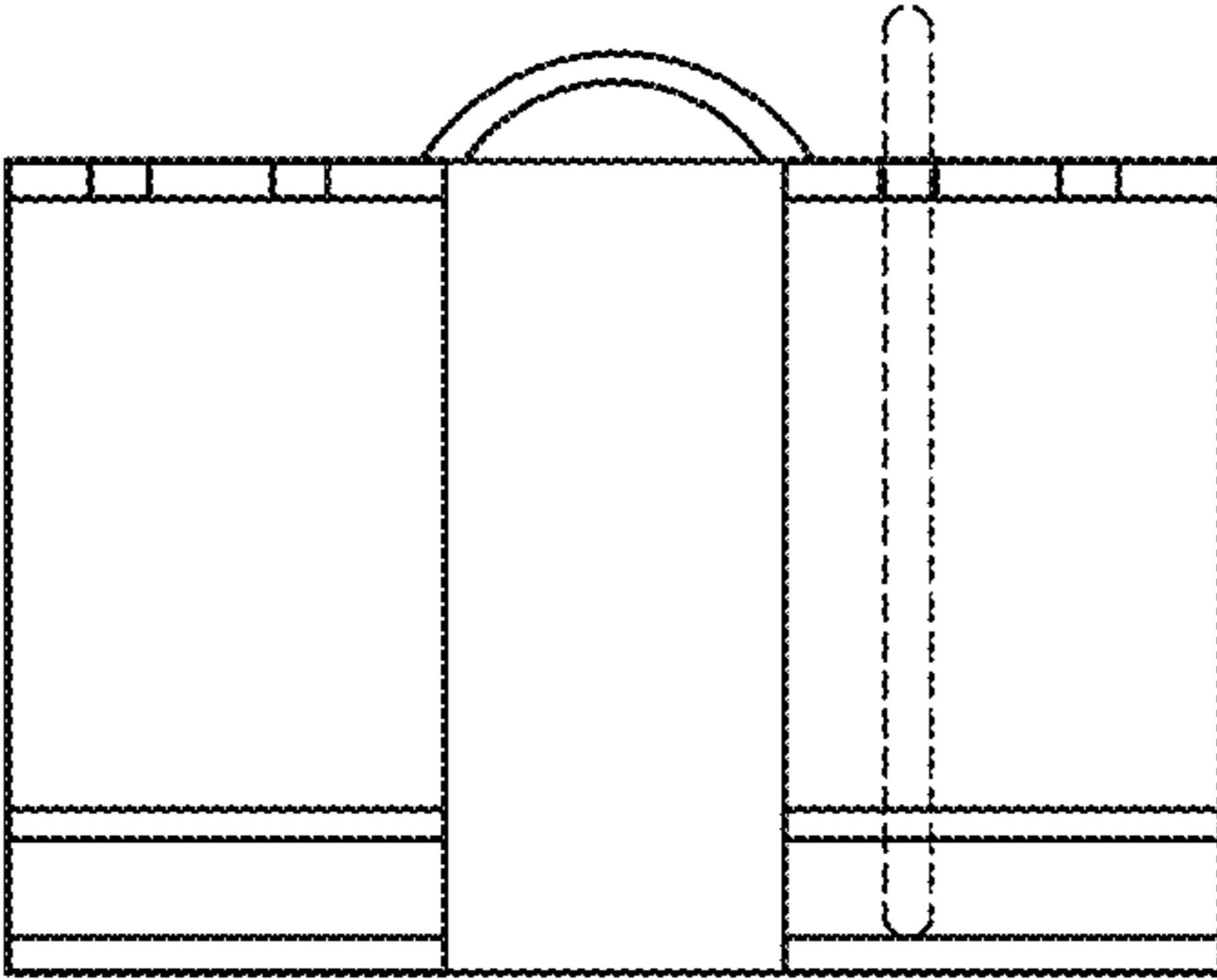


FIG. 4

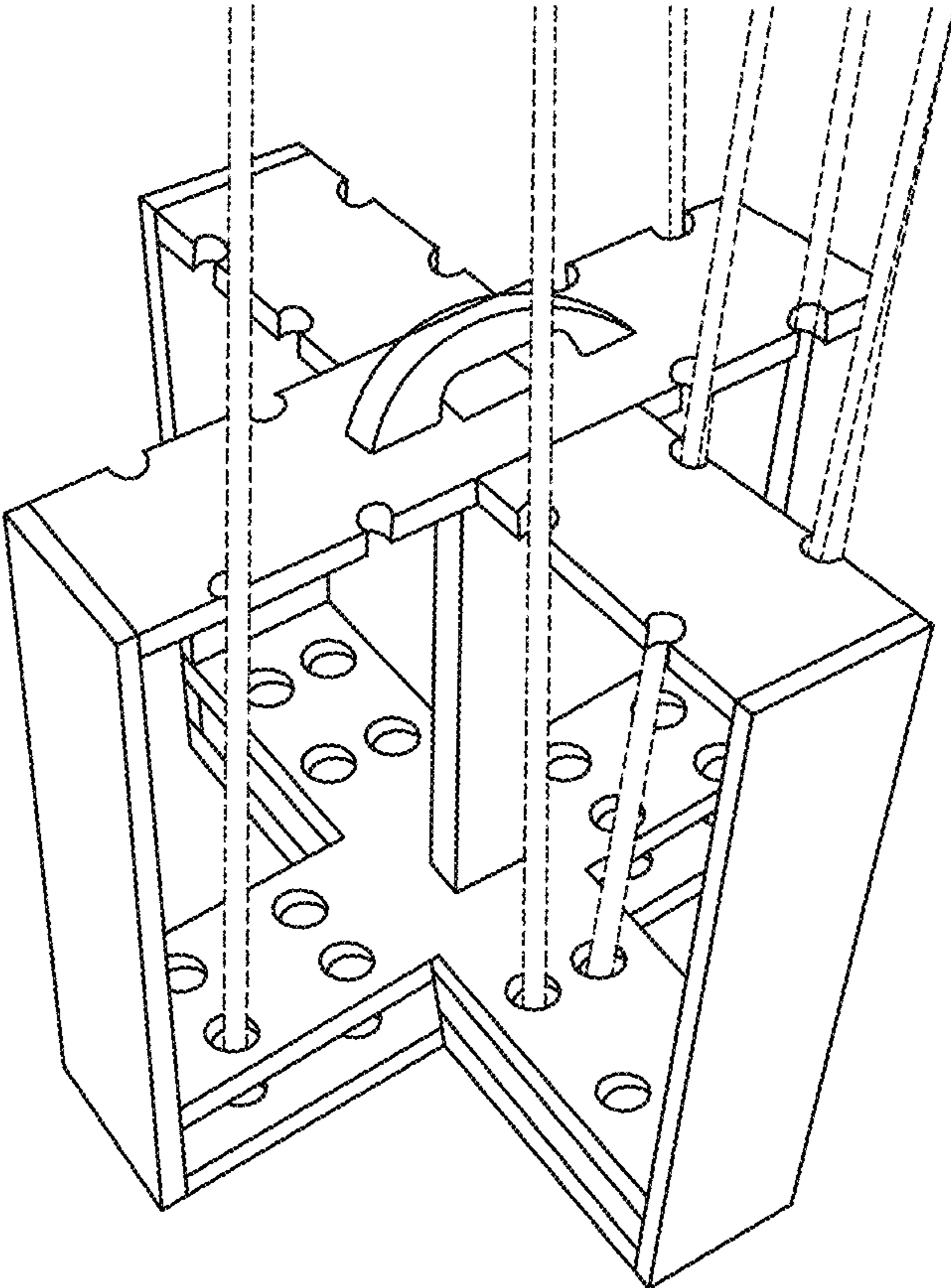


FIG. 5