



US00D796876S

(12) **United States Design Patent**
Sirotovsky et al.

(10) **Patent No.:** **US D796,876 S**

(45) **Date of Patent:** **** Sep. 12, 2017**

(54) **DISPLAY APPARATUS**

(71) Applicant: **Wowthyguest, Inc.**, Feasterville, PA (US)

(72) Inventors: **Maxim Sirotovsky**, Feasterville, PA (US); **Pavel R. Yanbekov**, Feasterville, PA (US)

(73) Assignee: **Wowthyguest, Inc.**, Feasterville, PA (US)

(**) Term: **14 Years**

(21) Appl. No.: **29/510,222**

(22) Filed: **Nov. 26, 2014**

(51) **LOC (10) Cl.** **06-06**

(52) **U.S. Cl.**
USPC **D6/678**

(58) **Field of Classification Search**
USPC D3/304, 308, 310, 313, 318, 319, 328;
D6/678, 672, 678.3, 680.2, 683.1
CPC .. A47F 5/0018; A47F 1/00; A47F 5/04; A47F
10/00; A47F 5/52; A47F 5/5206
See application file for complete search history.

(56) **References Cited**

U.S. PATENT DOCUMENTS

D152,371 S * 1/1949 Schick 312/140.1
3,650,384 A 3/1972 Pegg
D255,627 S 7/1980 Newsom, Jr. et al.

4,211,343 A 7/1980 Hughes et al.
4,483,455 A 11/1984 Prophet, Jr. et al.
D276,775 S 12/1984 Antti et al.
4,718,578 A 1/1988 Radek et al.
D294,316 S 2/1988 Jakubowski
D319,558 S 9/1991 De Regt
D421,757 S * 3/2000 Volonterio D15/81
D651,872 S 1/2012 Kemper et al.
D728,285 S * 5/2015 Orvelin D6/699

FOREIGN PATENT DOCUMENTS

WO WO 01/62127 A2 8/2001

* cited by examiner

Primary Examiner — Kelley Donnelly

(74) *Attorney, Agent, or Firm* — Baker & Hostetler LLP;
Gregory A. Grissett

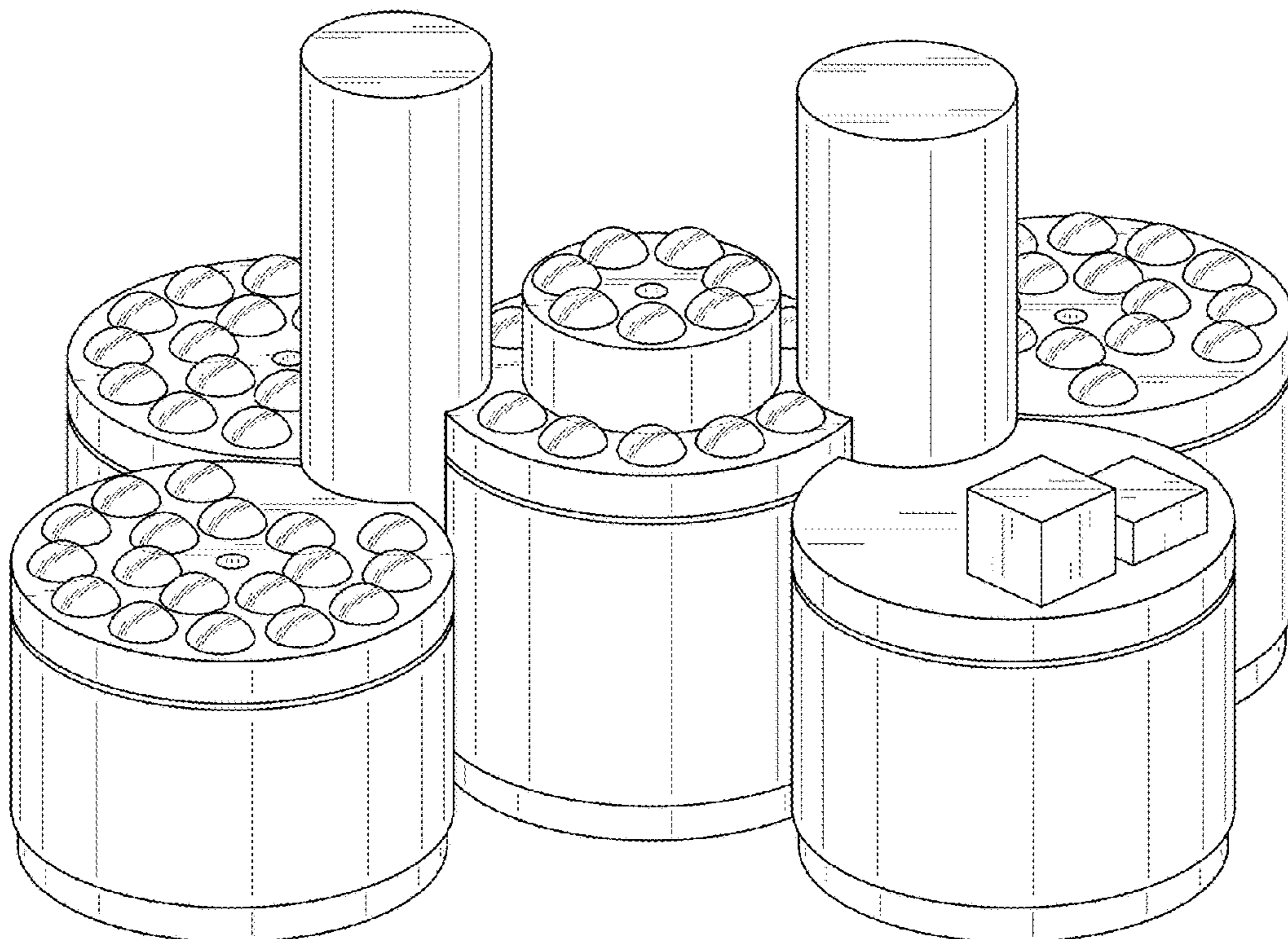
(57) **CLAIM**

The ornamental design for a display apparatus, as shown and described.

DESCRIPTION

FIG. 1 is a top, front, right perspective view of a display apparatus of our design;
FIG. 2 is a front elevation view thereof; and
FIG. 3 is a rear elevation view thereof;
FIG. 4 is a left side elevation view thereof;
FIG. 5 is a right elevation view thereof; and,
FIG. 6 is a top plan view thereof, the bottom of our design being similar to the top.

1 Claim, 4 Drawing Sheets



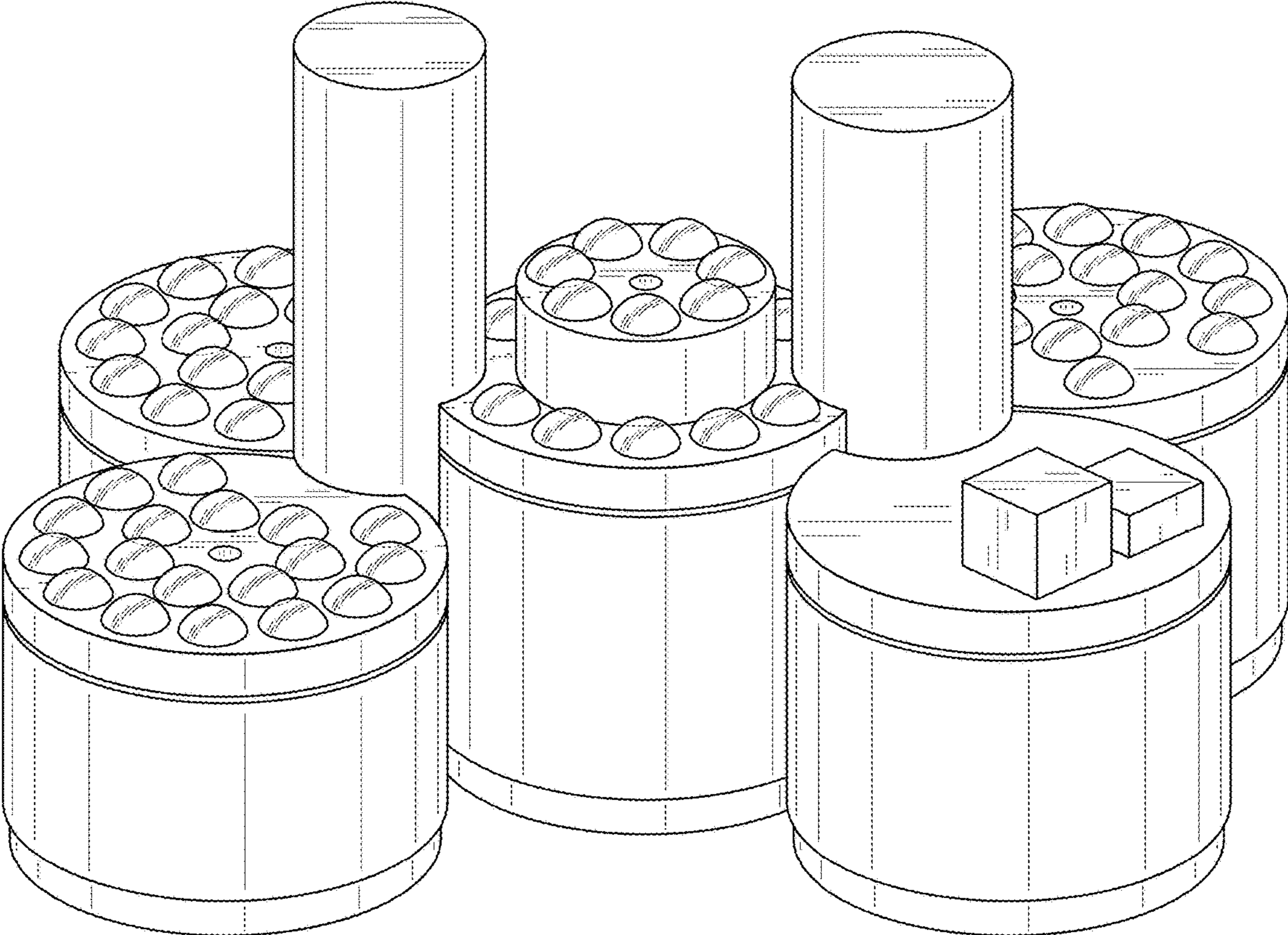


FIG. 1

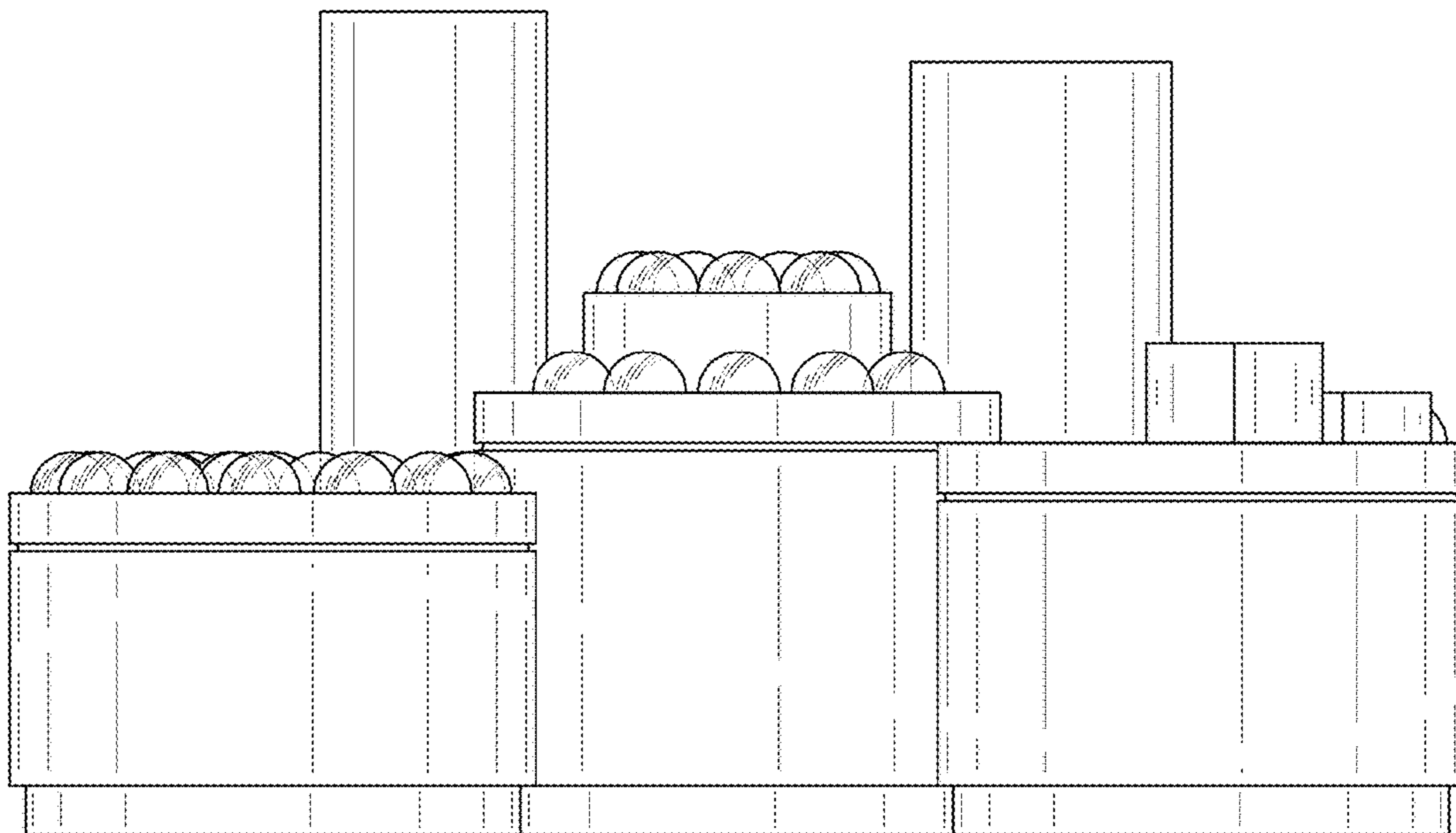


FIG. 2

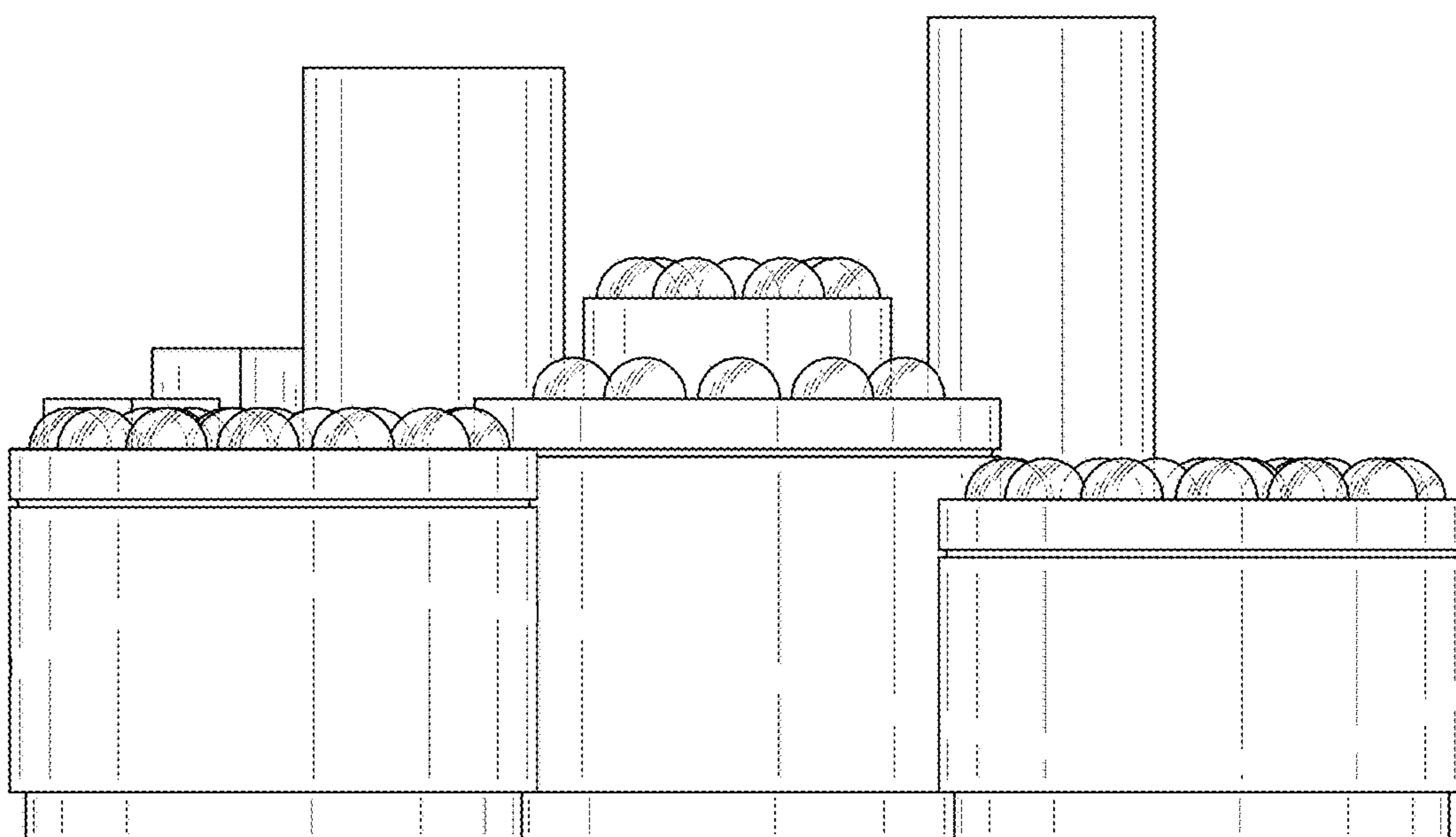


FIG. 3

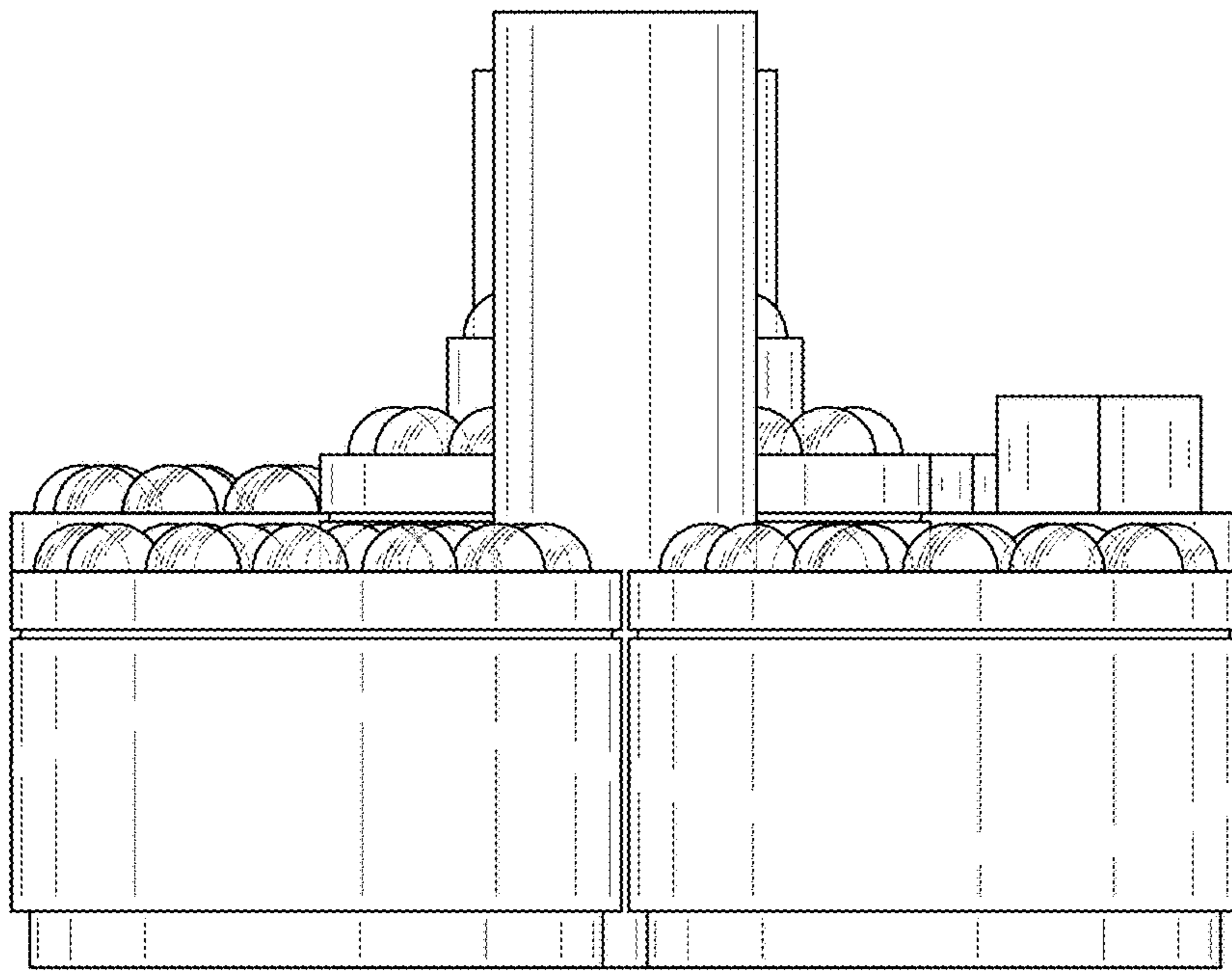


FIG. 4

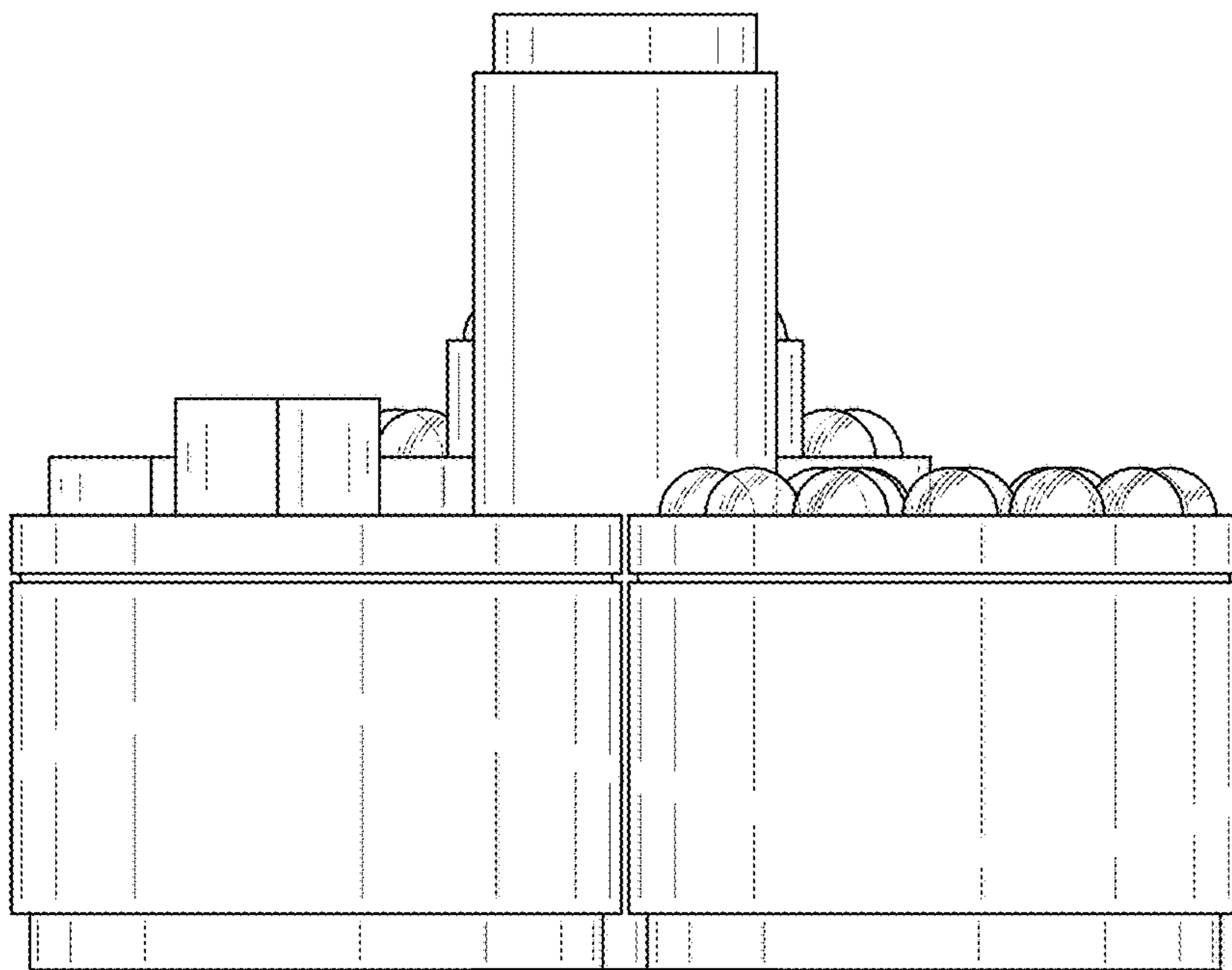


FIG. 5

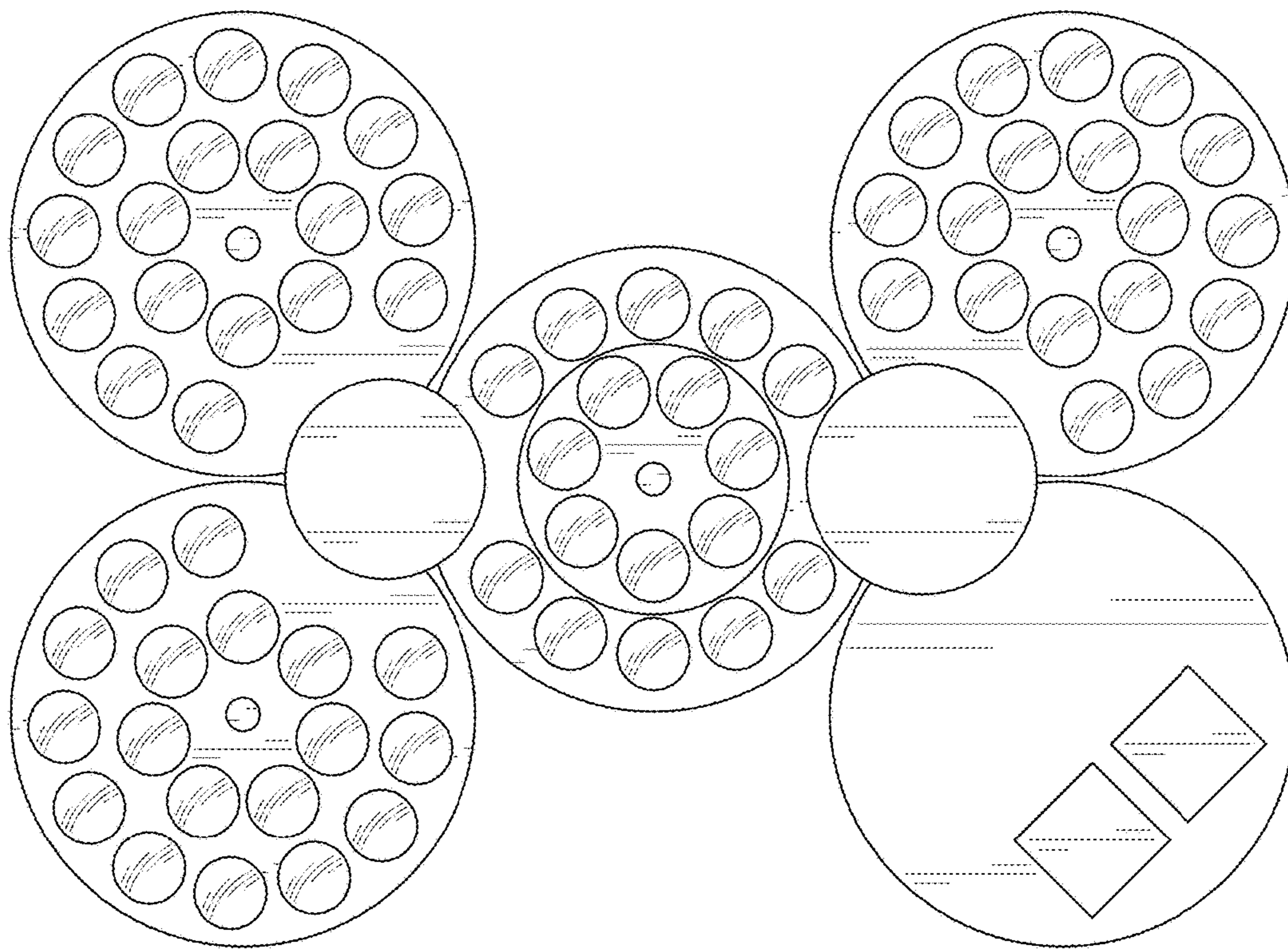


FIG. 6