



US00D796873S

(12) **United States Design Patent** (10) **Patent No.:** **US D796,873 S**
Clark et al. (45) **Date of Patent:** **** *Sep. 12, 2017**

(54) **DISPLAY UNIT** D168,325 S * 12/1952 Abrams D6/300
3,316,041 A 4/1967 Nelson
(71) Applicant: **Target Brands, Inc.**, Minneapolis, MN D211,456 S * 6/1968 Anderson D25/48.7
(US) D213,882 S * 4/1969 Sonnenblick D6/300
(72) Inventors: **Jeremy A. Clark**, Minneapolis, MN D216,715 S * 3/1970 Dottinger D6/709
(US); **Robert P. Stoltz**, Edina, MN 3,563,624 A 2/1971 Stice
(US) 3,941,247 A 3/1976 Cripe
4,560,257 A 12/1985 Otema
(73) Assignee: **Target Brands, Inc.**, Minneapolis, MN D300,289 S 3/1989 Walter
(US) 4,903,451 A 2/1990 Gresswell
D307,718 S 5/1990 Tabler
(Continued)

(*) Notice: This patent is subject to a terminal disclaimer.

(**) Term: **15 Years**

(21) Appl. No.: **29/546,968**

(22) Filed: **Nov. 30, 2015**

Related U.S. Application Data

(63) Continuation of application No. 29/502,317, filed on Sep. 15, 2014, now Pat. No. Des. 747,125.

(51) **LOC (10) Cl.** **06-06**

(52) **U.S. Cl.**
USPC **D6/675**

(58) **Field of Classification Search**
USPC D6/300, 315, 320, 672, 673, 675, 675.3,
D6/702, 512, 513; D25/48.7, 60;
D19/113; D20/10, 19, 39, 42
CPC .. A47F 3/00; A47F 3/001; A47F 3/004; A47F
5/0006; A47F 5/08; A47F 5/0876; A47F
7/00; A47F 11/02; E06B 1/04; E06B 1/06
See application file for complete search history.

(56) **References Cited**

U.S. PATENT DOCUMENTS

2,189,521 A * 2/1940 King A47G 1/0627
40/700
2,268,529 A * 12/1941 Stiles G03B 21/64
40/702

OTHER PUBLICATIONS

Pending U.S. Appl. No. 14/486,180, filed Sep. 15, 2014, entitled Modular Display Unit, 30 pages.

(Continued)

Primary Examiner — Kelley Donnelly

(74) *Attorney, Agent, or Firm* — Leanne Taveggia Farrell; Westman, Champlin & Koehler, P.A.

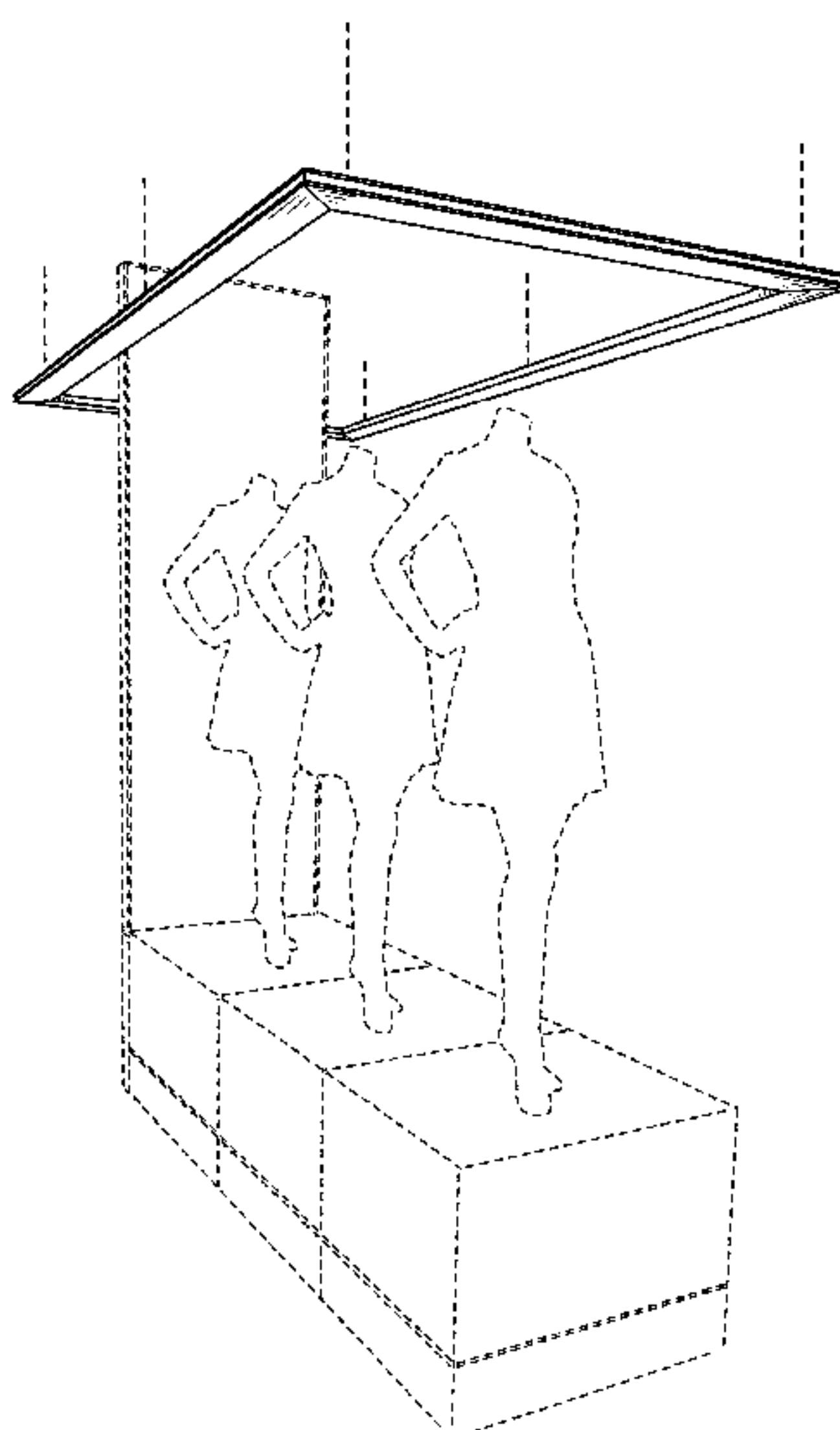
(57) **CLAIM**

The ornamental design for a display unit, as shown and described.

DESCRIPTION

FIG. 1 is a perspective view of a display unit with environment showing our new design;
FIG. 2 is a perspective view thereof without environment;
FIG. 3 is a left side view thereof, the right side view being a mirror image;
FIG. 4 is a front view thereof;
FIG. 5 is a back view thereof; and,
FIG. 6 is a top view thereof.
The broken lines shown in the drawings are included for purposes of illustrating environment or portions of the display unit and form no part of the claimed design.

1 Claim, 5 Drawing Sheets



(56)

References Cited

U.S. PATENT DOCUMENTS

D312,177 S * 11/1990 Walter D6/332
 D314,482 S * 2/1991 Walter D6/681.1
 D315,651 S * 3/1991 Citterio D6/332
 D355,769 S * 2/1995 Miles D6/300
 D372,797 S * 8/1996 Ilaria D6/300
 D383,219 S * 9/1997 Roberts D25/60
 5,819,458 A * 10/1998 Hadden A47G 1/0605
 40/700
 D446,657 S * 8/2001 Butler D6/300
 D455,046 S * 4/2002 Hwang D7/405
 D459,049 S * 6/2002 Apps D34/38
 D480,221 S * 10/2003 Luciano D6/300
 6,877,824 B2 4/2005 Winkless
 D548,981 S * 8/2007 Ernetoft D6/300
 7,296,372 B2 11/2007 Clark et al.
 D559,406 S * 1/2008 Boshell D25/60
 D572,676 S * 7/2008 Niitsu D14/126
 D601,833 S * 10/2009 Stukenberg D6/702
 D610,354 S * 2/2010 Kuo D6/300
 7,661,214 B2 2/2010 Clark et al.
 D625,524 S * 10/2010 Schwartz D6/300
 7,900,385 B2 3/2011 Clark et al.
 7,922,492 B2 4/2011 Nielsen et al.
 7,988,244 B2 8/2011 Haws, Jr.
 D648,548 S 11/2011 Winer et al.
 D654,274 S * 2/2012 Krawczyk D6/300
 8,113,600 B2 2/2012 Zalewski et al.
 D670,111 S 11/2012 McNamara
 D671,334 S 11/2012 Levi et al.
 8,312,610 B2 11/2012 Clark et al.
 D677,076 S 3/2013 Olson
 D684,379 S * 6/2013 Sim D6/300
 8,573,716 B2 11/2013 Zalewski
 D708,672 S 7/2014 Denby et al.

D730,093 S * 5/2015 Hawkins D6/703.5
 D738,332 S * 9/2015 Kim D14/126
 D743,191 S * 11/2015 Clark D6/675
 D751,831 S * 3/2016 Shay-Puetzer D6/314
 D779,498 S * 2/2017 Moon D14/448
 D782,211 S * 3/2017 Randhawa D6/300
 2002/0084726 A1 7/2002 O'Neill et al.
 2006/0148368 A1 * 7/2006 Kang C23C 14/042
 445/47
 2007/0007865 A1 1/2007 Kang
 2007/0181515 A1 8/2007 Levi et al.
 2010/0276562 A1 * 11/2010 Nguyen H04N 5/655
 248/488
 2011/0179979 A1 7/2011 Nielsen et al.
 2014/0252047 A1 9/2014 Clark et al.
 2014/0260491 A1 * 9/2014 Briese E06B 3/663
 72/338
 2016/0010386 A1 * 1/2016 Gouge E06B 3/06
 52/784.16
 2016/0363831 A1 * 12/2016 Ash G02F 1/157
 2017/0037675 A1 * 2/2017 Queck E06B 3/67321
 2017/0081903 A1 * 3/2017 Saunders E06B 3/5454

OTHER PUBLICATIONS

Pending U.S. Appl. No. 29/502,318, filed Sep. 15, 2014, entitled Display Unit, 20 pages.
 Pending U.S. Appl. No. 29/502,320, filed Sep. 15, 2014, entitled Display Unit, 9 pages.
 Pending U.S. Appl. No. 29/502,321, filed Sep. 15, 2014, entitled Display Unit, 13 pages.
 Pending U.S. Appl. No. 29/502,322, filed Sep. 15, 2014, entitled Display Unit, 24 pages.
 Pending U.S. Appl. No. 29/544,532, filed Nov. 4, 2015, entitled Display Unit, 24 pages.

* cited by examiner

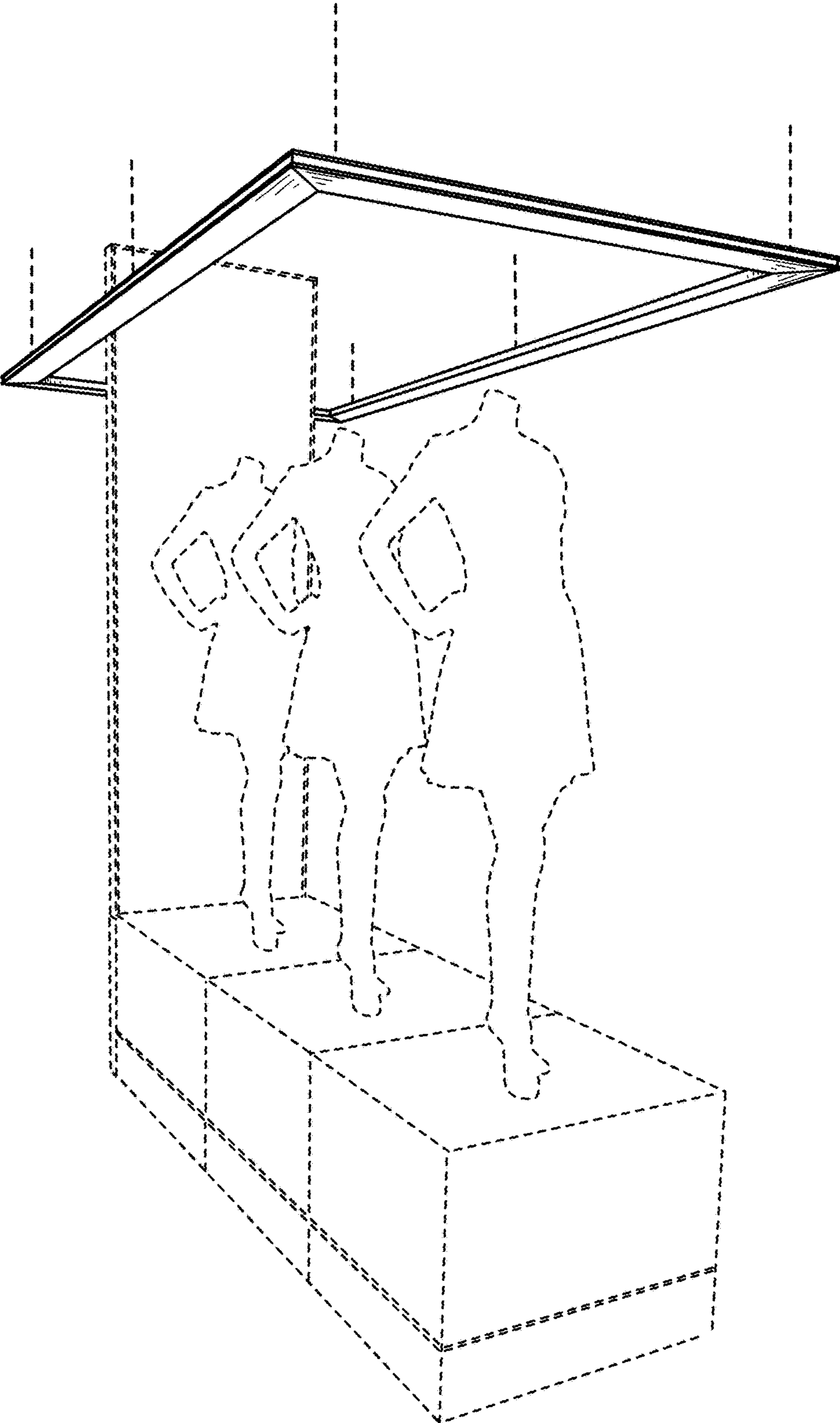


Fig. 1

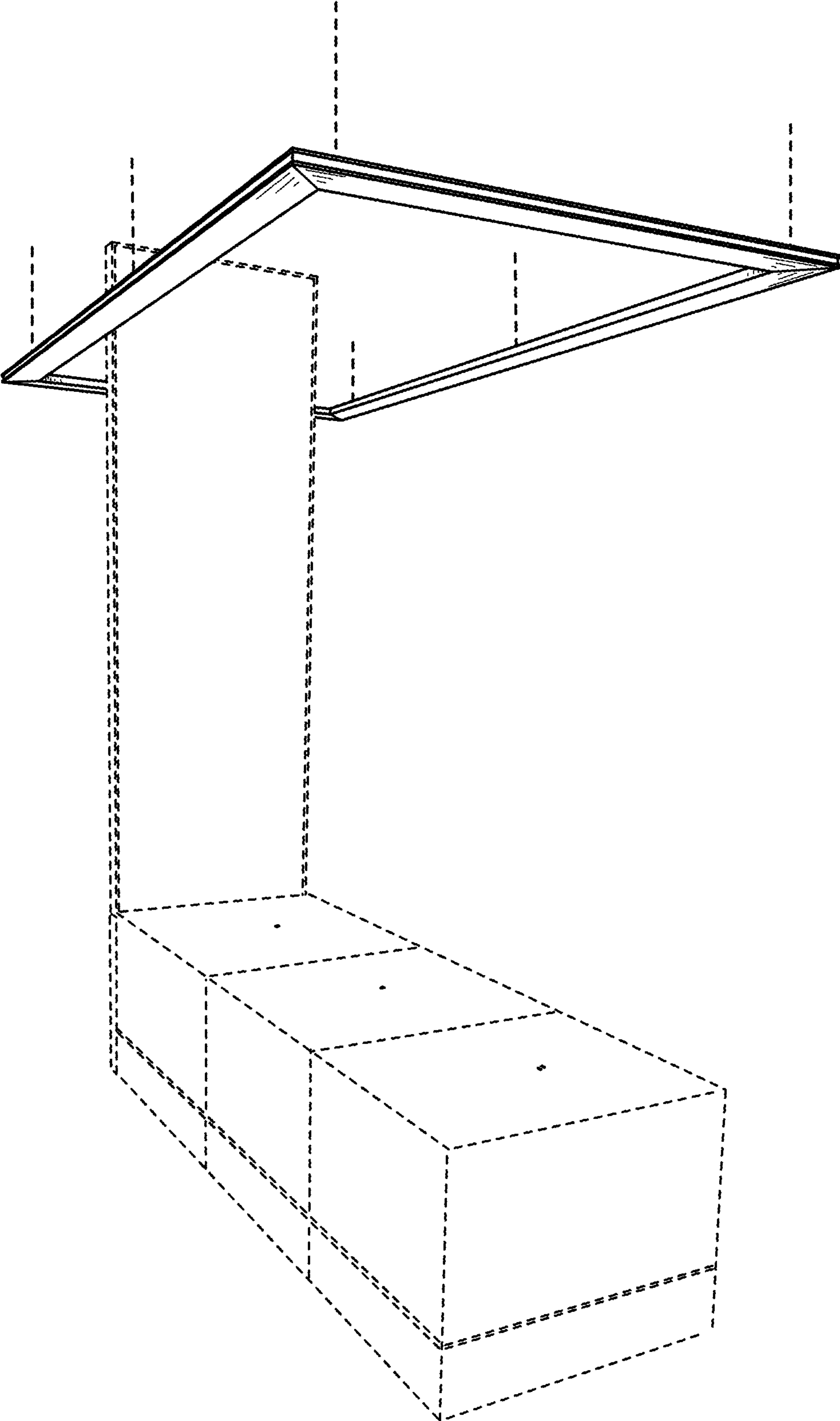


Fig. 2

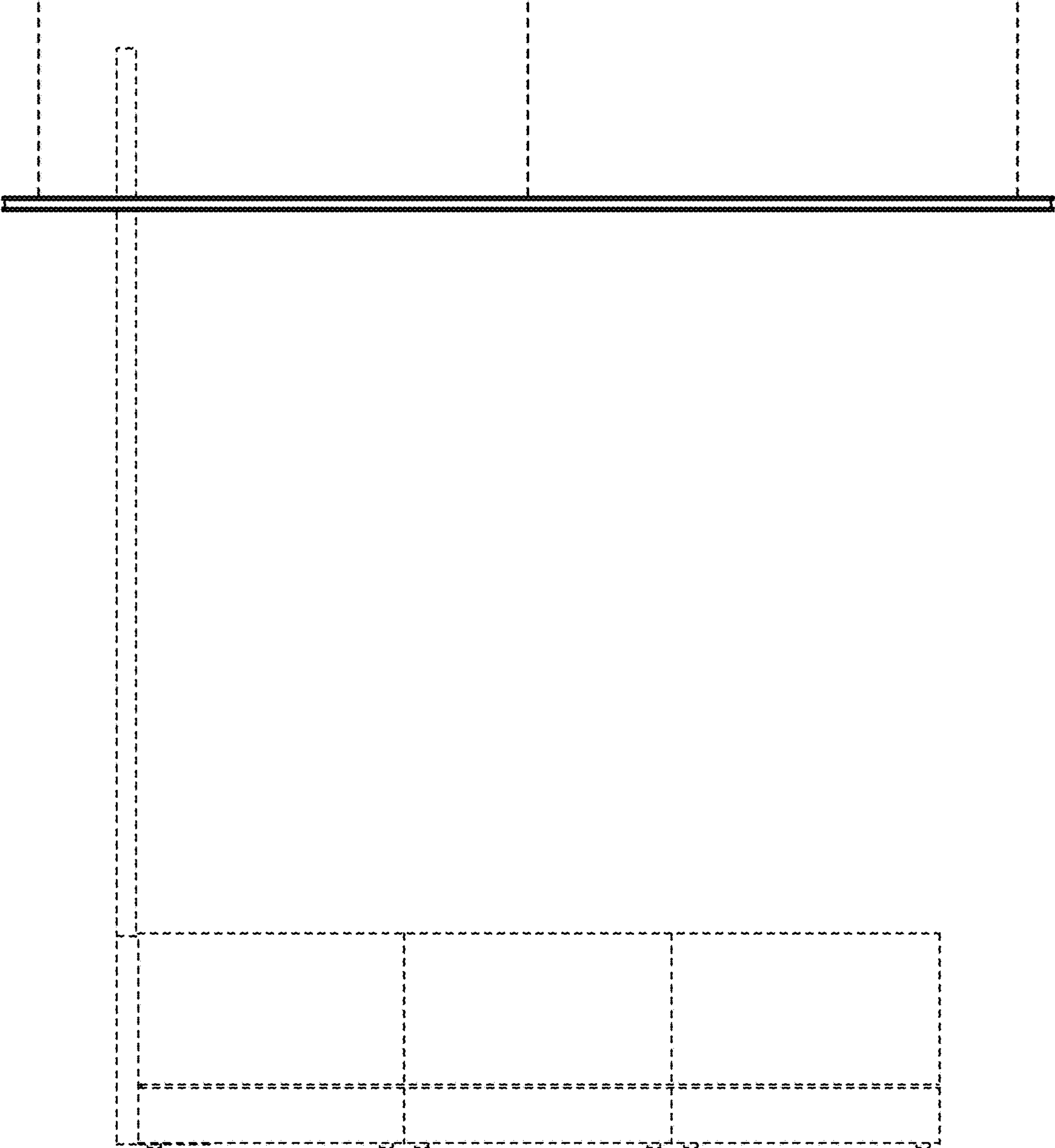


Fig. 3

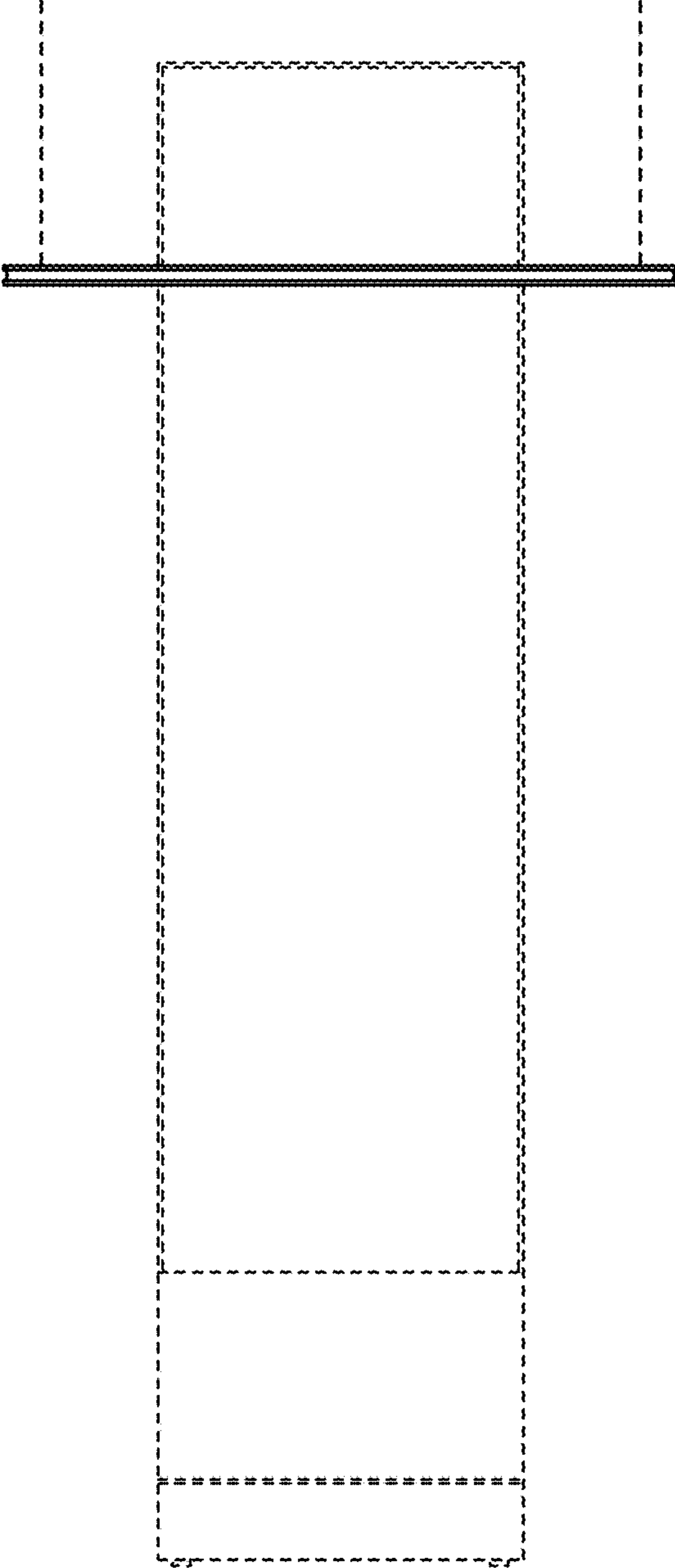


Fig. 4

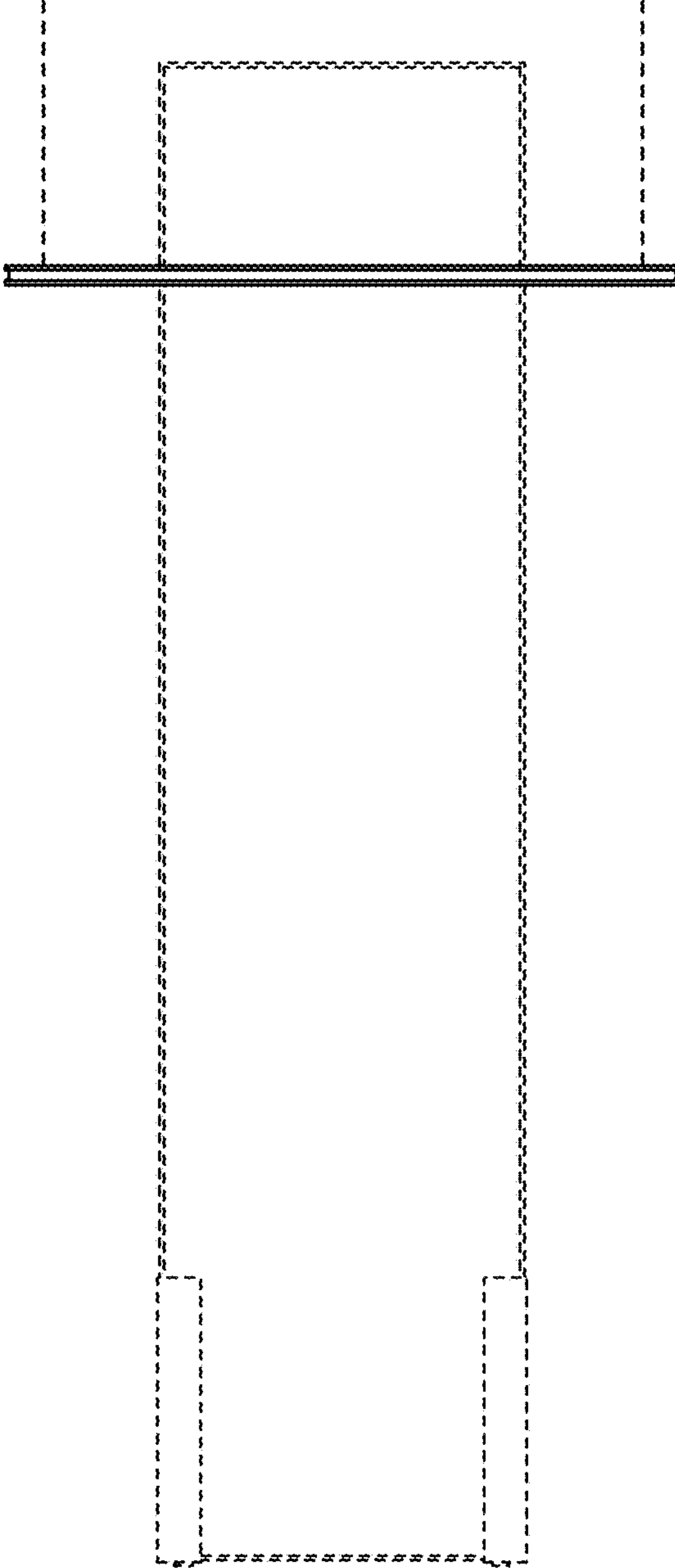


Fig. 5

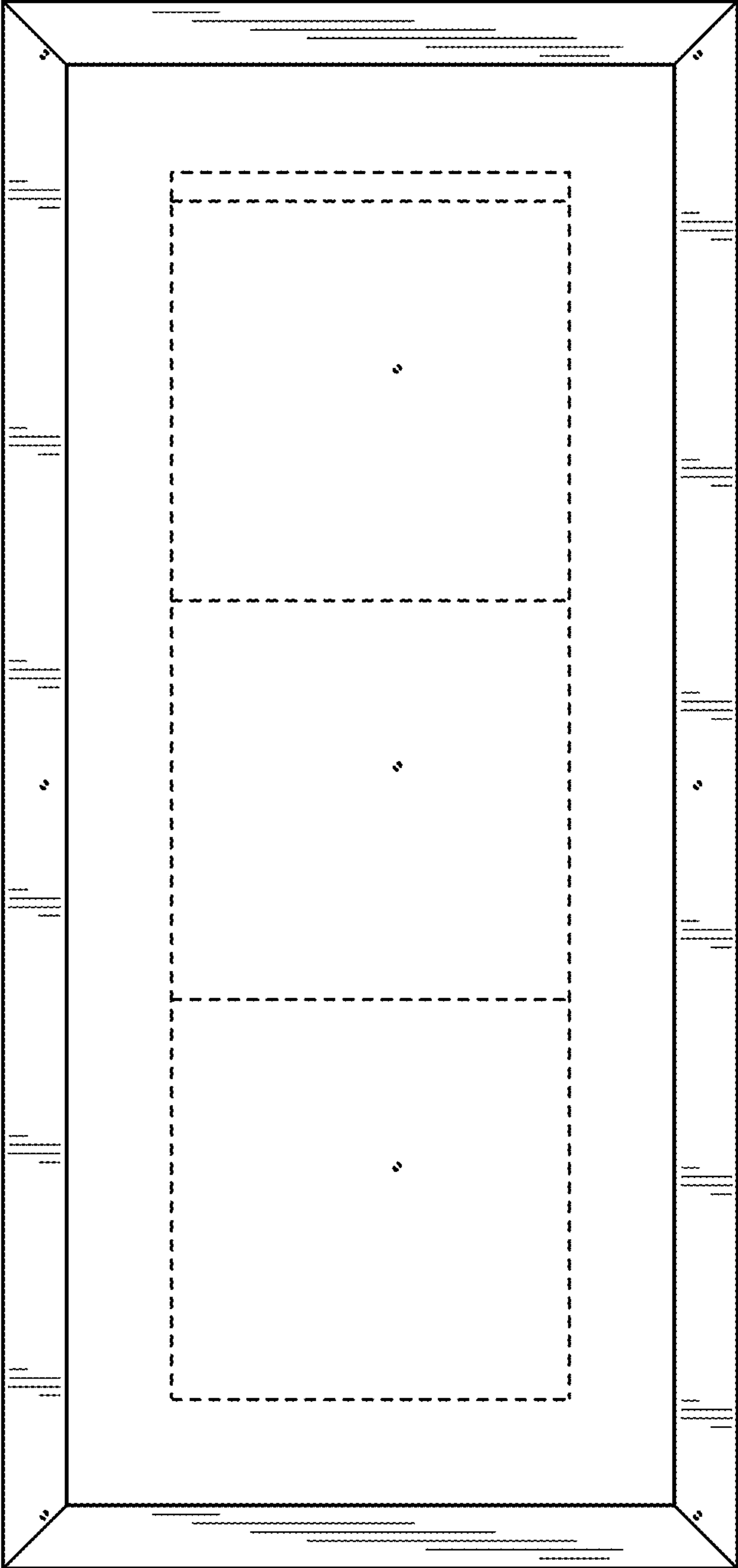


Fig. 6