



US00D796872S

(12) **United States Design Patent** (10) **Patent No.:** **US D796,872 S**  
**Sienkowski et al.** (45) **Date of Patent:** **\*\* Sep. 12, 2017**

(54) **MOBILE STORAGE UNIT WITH A SEATING ELEMENT**

(71) Applicants: **Bruce Sienkowski**, Grand Rapids, MI (US); **Mark Gabbertas**, Grand Rapids, MI (US)

(72) Inventors: **Bruce Sienkowski**, Grand Rapids, MI (US); **Mark Gabbertas**, Grand Rapids, MI (US)

(\*\*) Term: **15 Years**

(21) Appl. No.: **29/529,679**

(22) Filed: **Jun. 9, 2015**

(51) **LOC (10) Cl.** ..... **06-04**

(52) **U.S. Cl.**  
USPC ..... **D6/668.1**

(58) **Field of Classification Search**  
USPC ..... D3/274; D6/335, 336, 350, 663–664, D6/668, 668.1, 668.2, 671, 671.1, 677.3, D6/703; D7/330, 605; D34/23  
CPC ..... A47B 17/04; A47B 47/02; A47B 47/03; A47B 87/00; A47F 3/06; A47F 3/043; A47F 3/0434; B25H 1/12  
See application file for complete search history.

(56) **References Cited**

**U.S. PATENT DOCUMENTS**

4,366,998 A *	1/1983	Kaiser .....	B25H 1/12 297/188.13
D276,861 S *	12/1984	Keddie .....	D3/315
D287,434 S *	12/1986	Wolfe .....	D6/336
D298,674 S *	11/1988	Koller, Sr. ....	D34/23
D314,472 S *	2/1991	Brantingham .....	D3/274
D326,815 S *	6/1992	Meisner .....	D7/605

(Continued)

*Primary Examiner* — Ricky Pham

(74) *Attorney, Agent, or Firm* — Dunlap Bennett & Ludwig PLLC

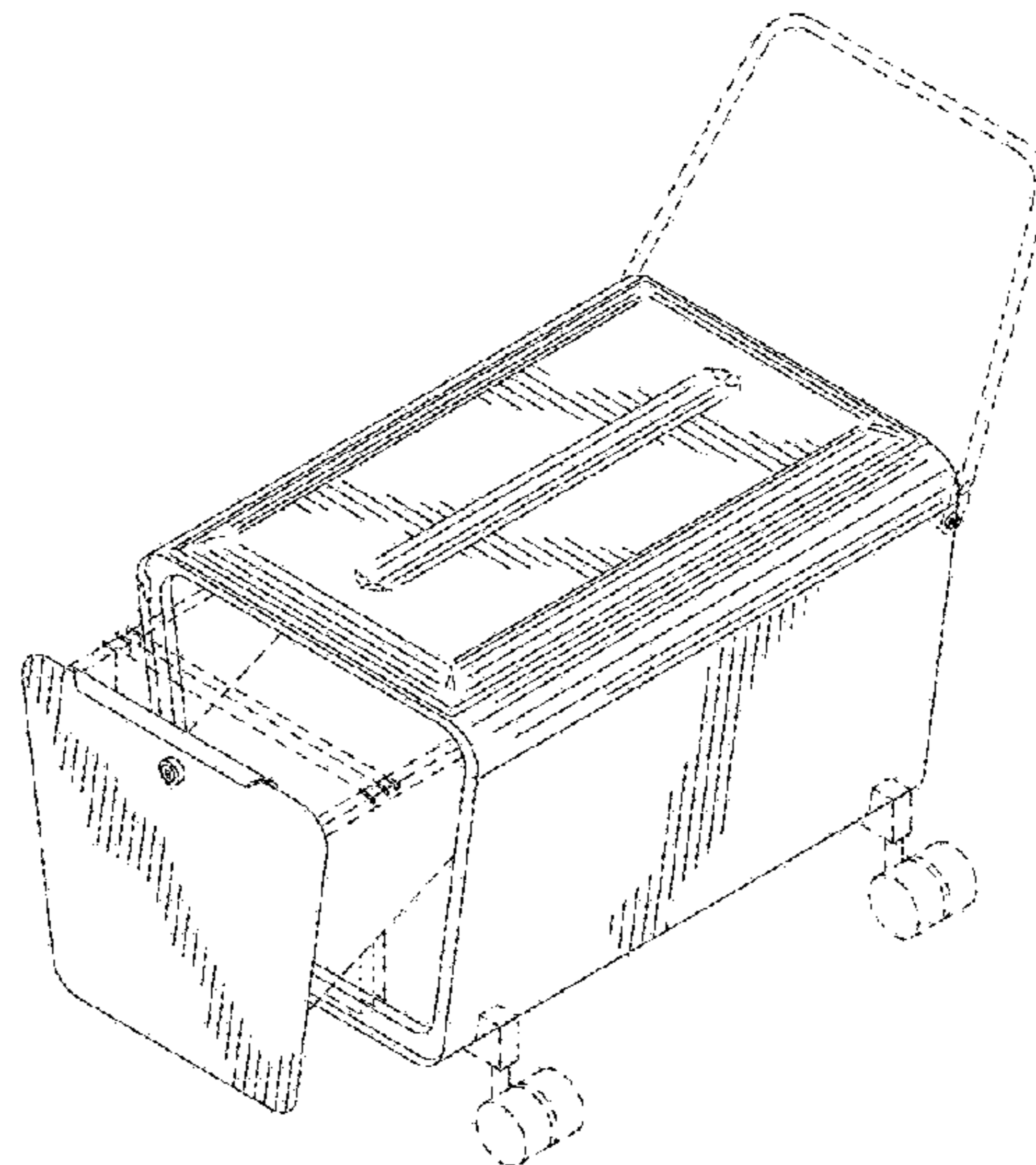
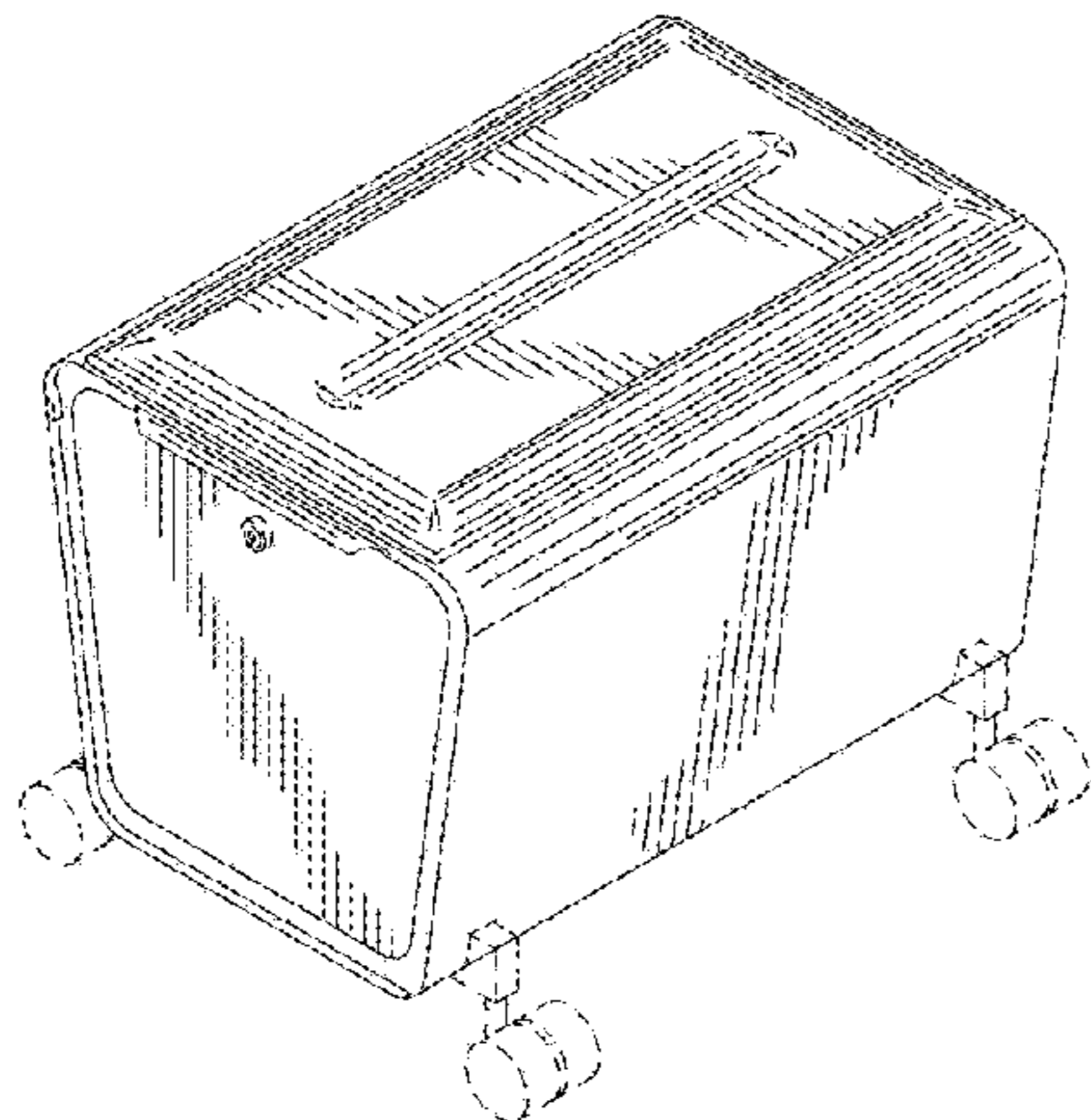
(57) **CLAIM**

The ornamental design for a mobile storage unit with a seating element, as shown and described.

**DESCRIPTION**

FIG. 1 is a front perspective view of a first embodiment of a mobile storage unit with a seating element;  
 FIG. 2 is a left side elevation view of the first embodiment thereof, the right side elevation being a mirror image thereof;  
 FIG. 3 is a front elevation view of the first embodiment thereof;  
 FIG. 4 is a bottom plan view of the first embodiment thereof;  
 FIG. 5 is a rear elevation view of the first embodiment thereof;  
 FIG. 6 is a top plan view of the first embodiment thereof;  
 FIG. 7 is a perspective view of the first embodiment thereof, shown in use;  
 FIG. 8 is a front perspective view of a second embodiment of the mobile storage unit with a seating element;  
 FIG. 9 is a left side elevation view of the second embodiment thereof, the second side elevation being a mirror image thereof;  
 FIG. 10 is a front elevation view of the second embodiment thereof;  
 FIG. 11 is a bottom plan view of the second embodiment thereof;  
 FIG. 12 is a rear elevation view of the second embodiment thereof;  
 FIG. 13 is a top plan view of the second embodiment thereof; and,  
 FIG. 14 is a perspective view of the second embodiment thereof, shown in use.  
 The broken lines shown in the drawings illustrate portions of the mobile storage unit with a seating element that form no part of the claimed design.

**1 Claim, 8 Drawing Sheets**



(56)

**References Cited**

U.S. PATENT DOCUMENTS

D381,170 S	*	7/1997	Dawkins .....	D34/17
D415,359 S	*	10/1999	Boyd .....	D6/336
D557,910 S	*	12/2007	Saunders .....	D6/350
D625,526 S	*	10/2010	Liuhong .....	D6/335
D634,964 S	*	3/2011	Ye .....	D7/330

\* cited by examiner

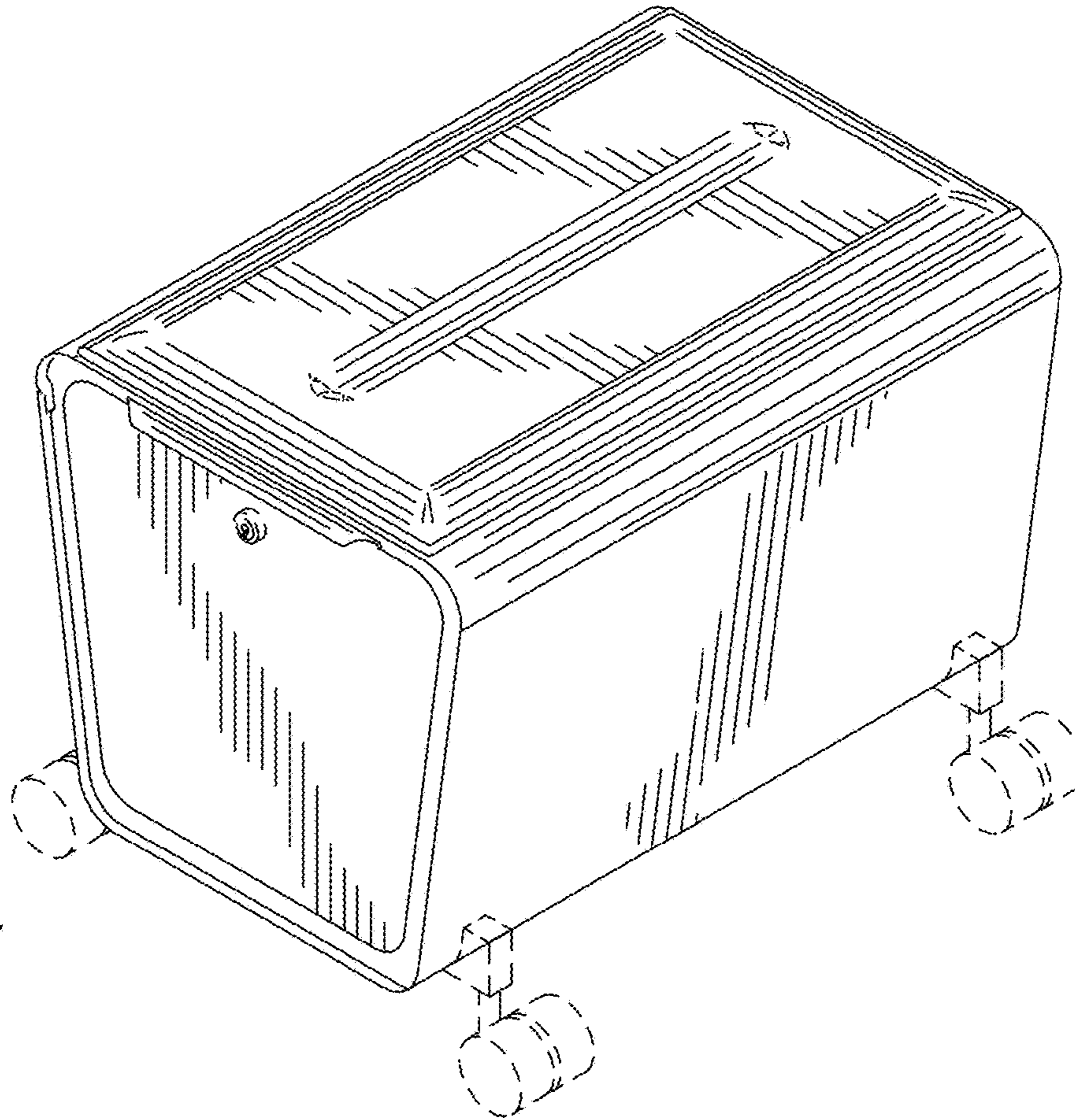


FIG. 1

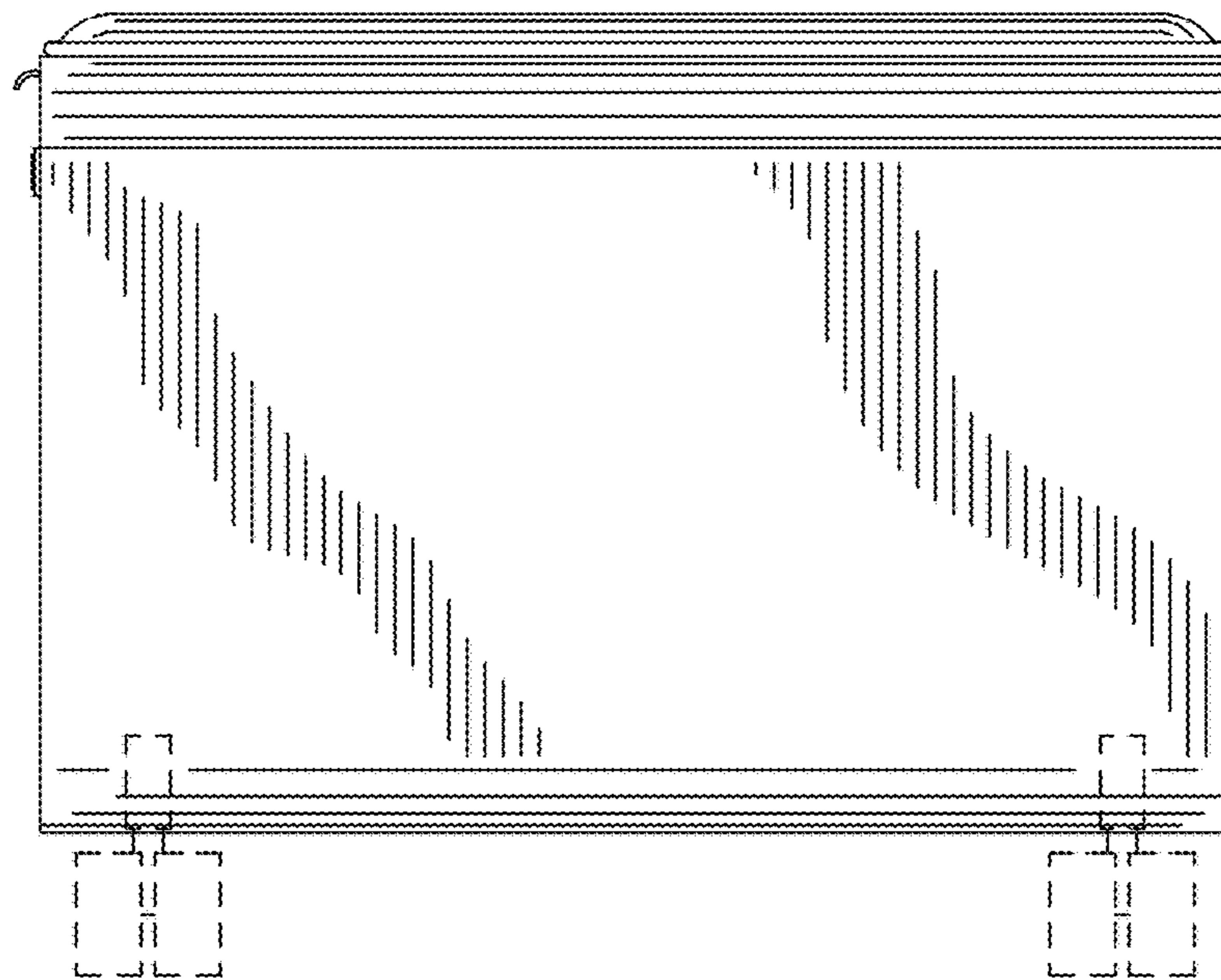
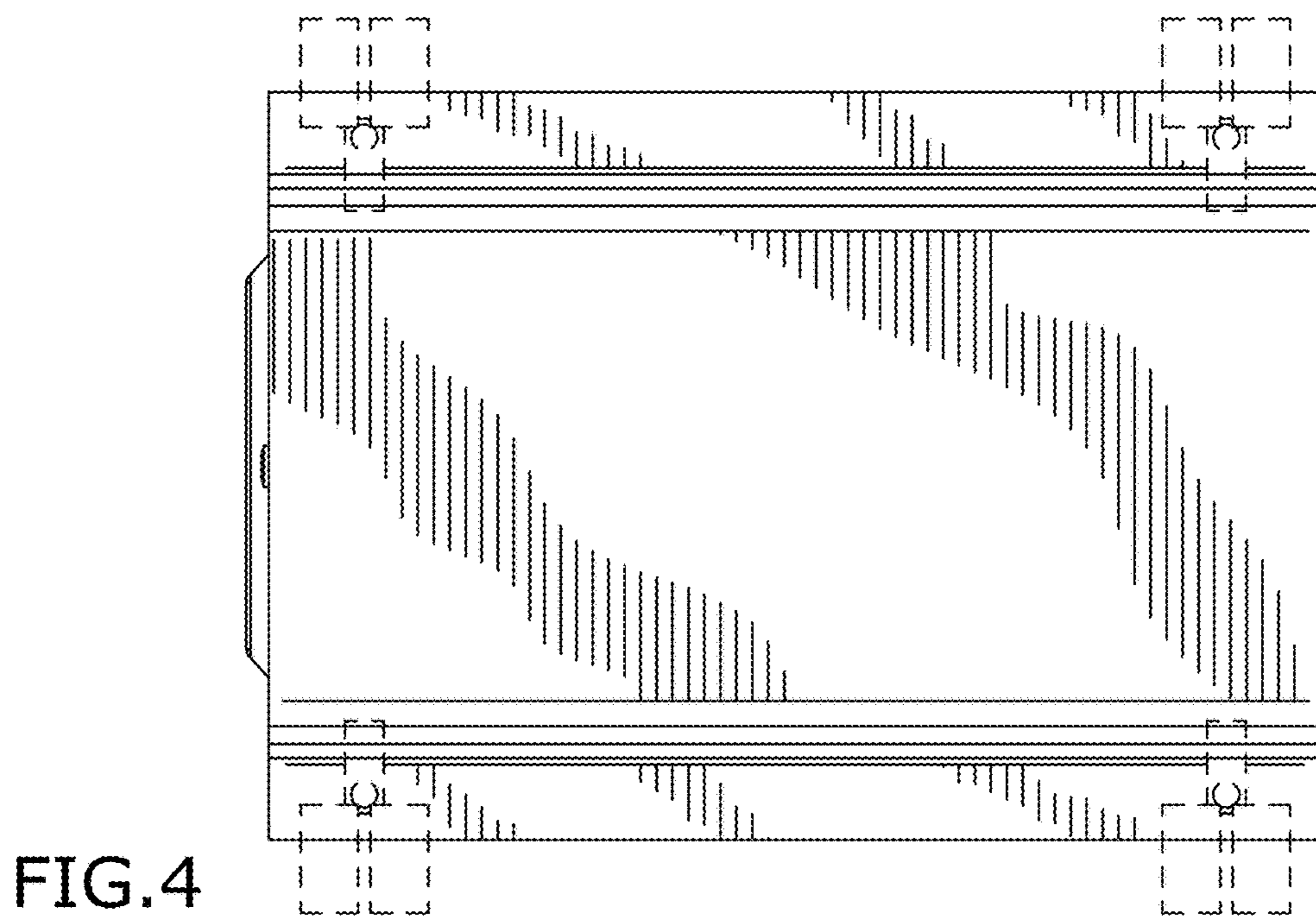
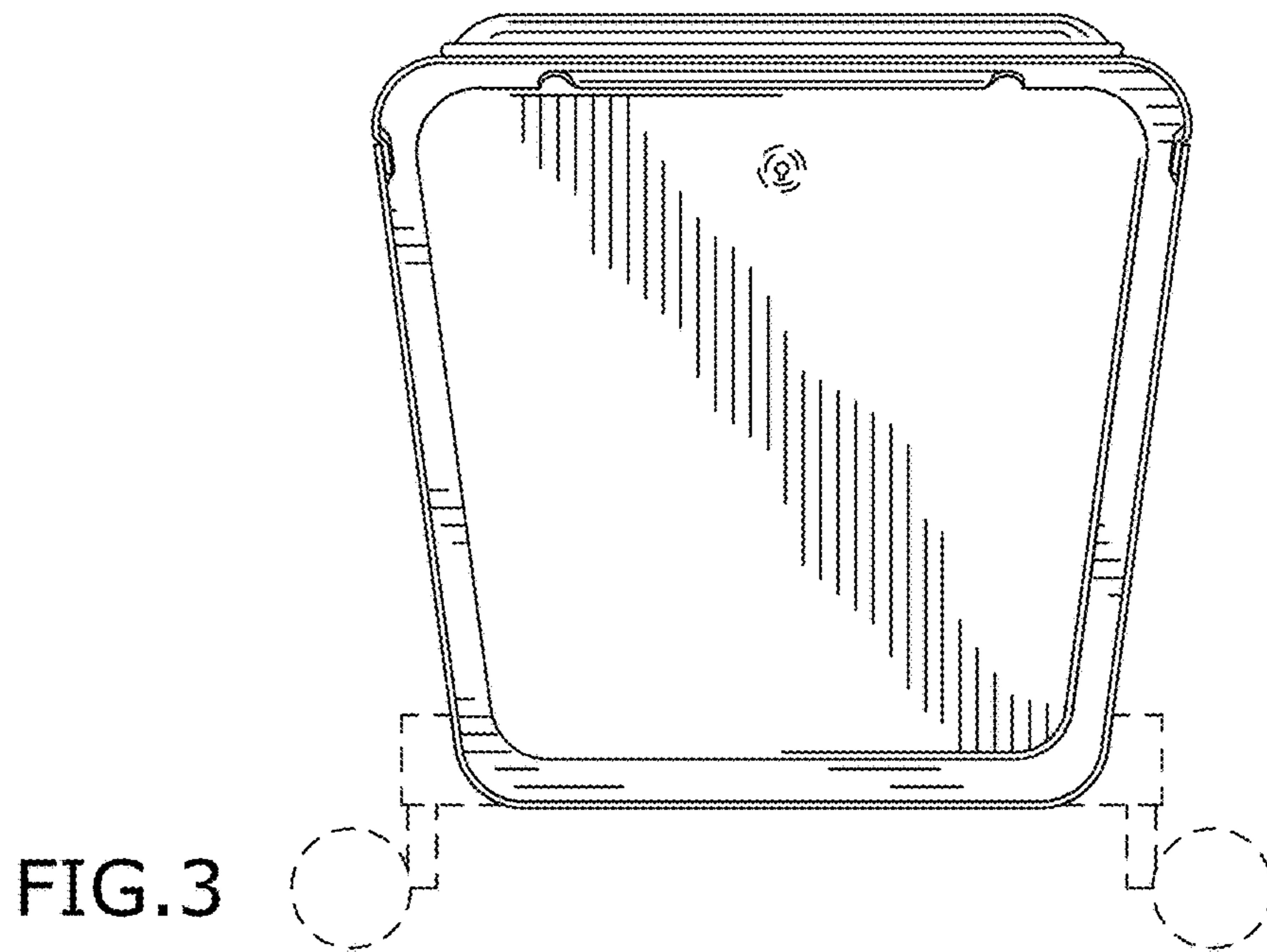


FIG. 2





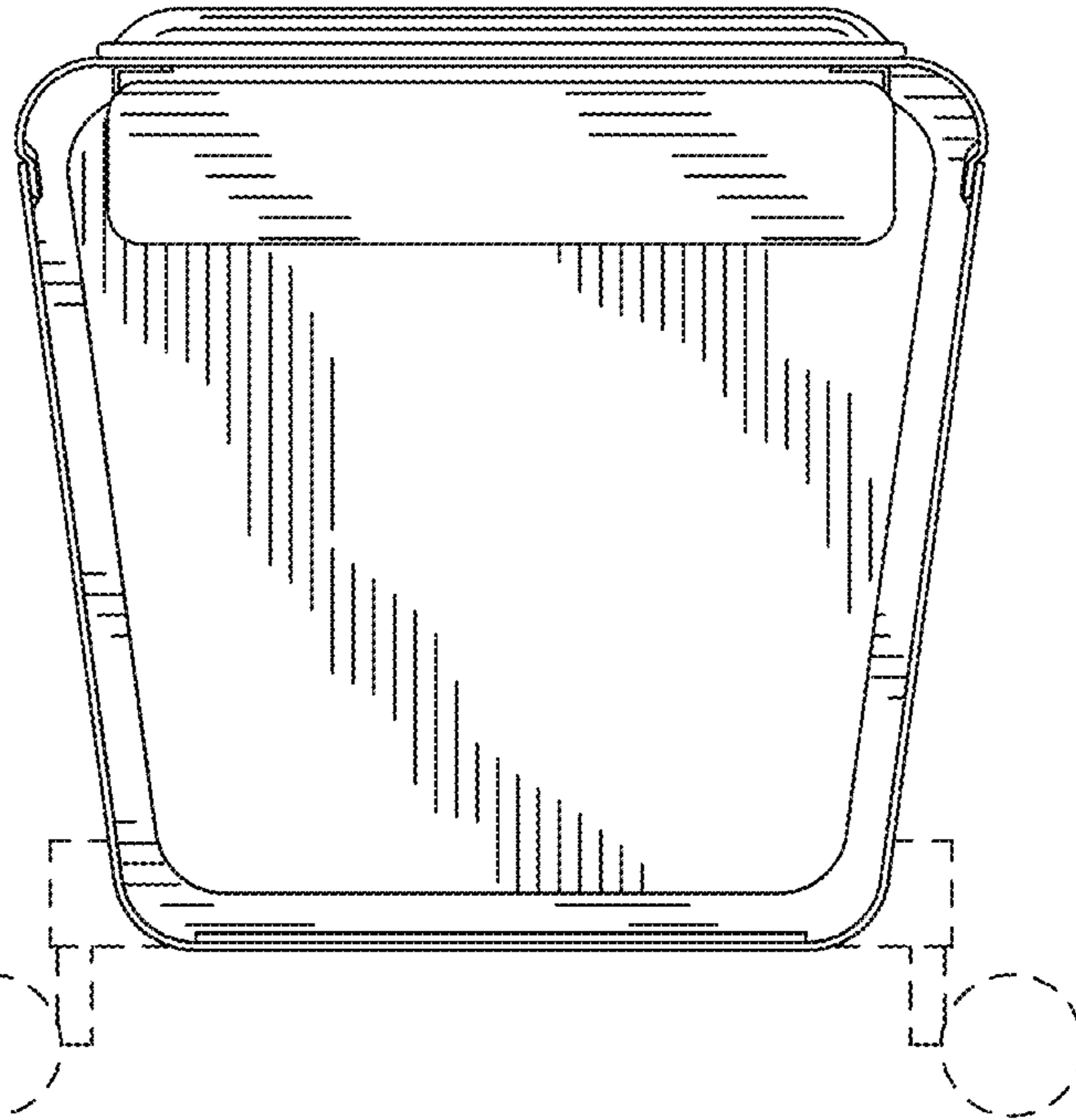


FIG. 5

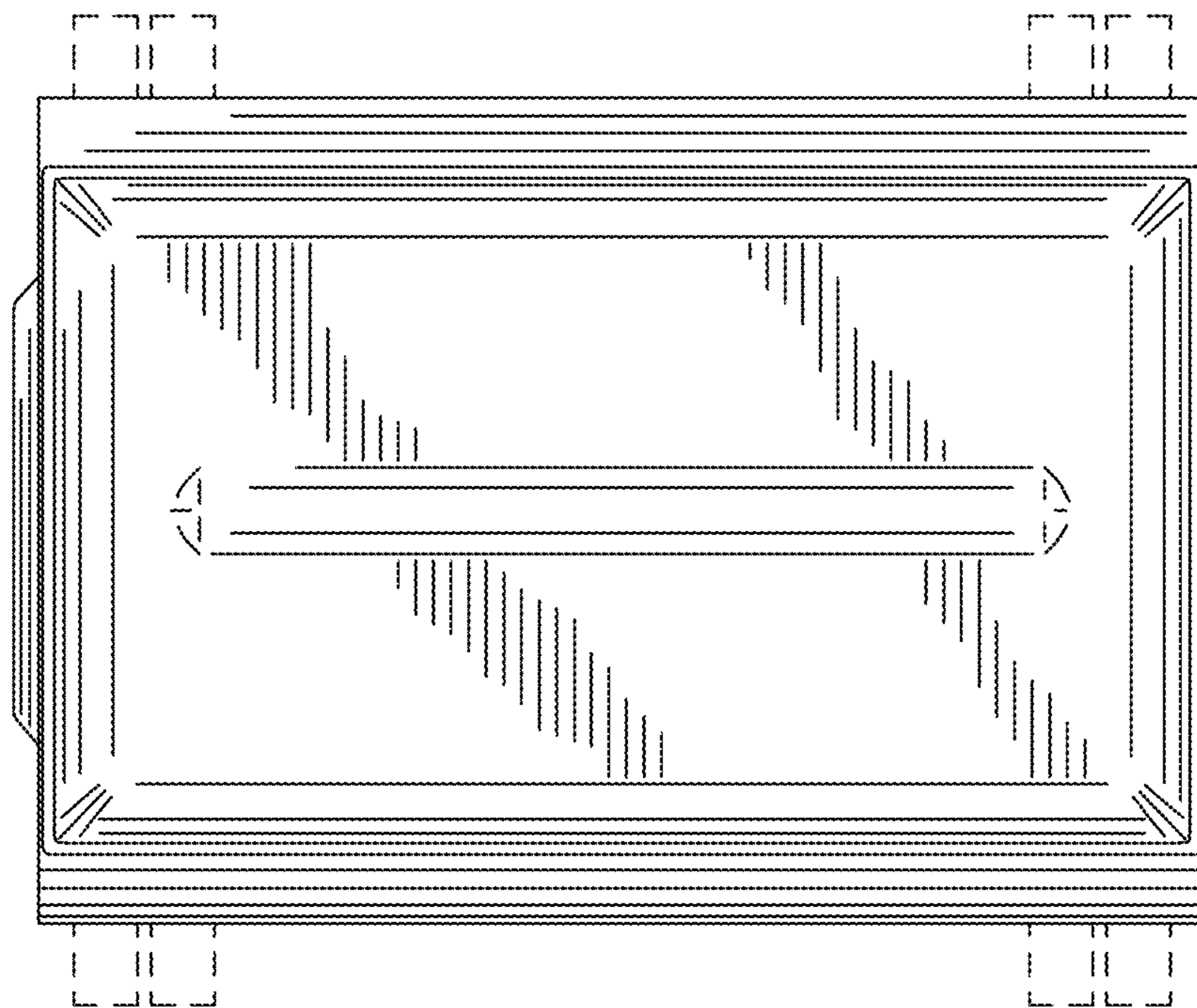


FIG. 6

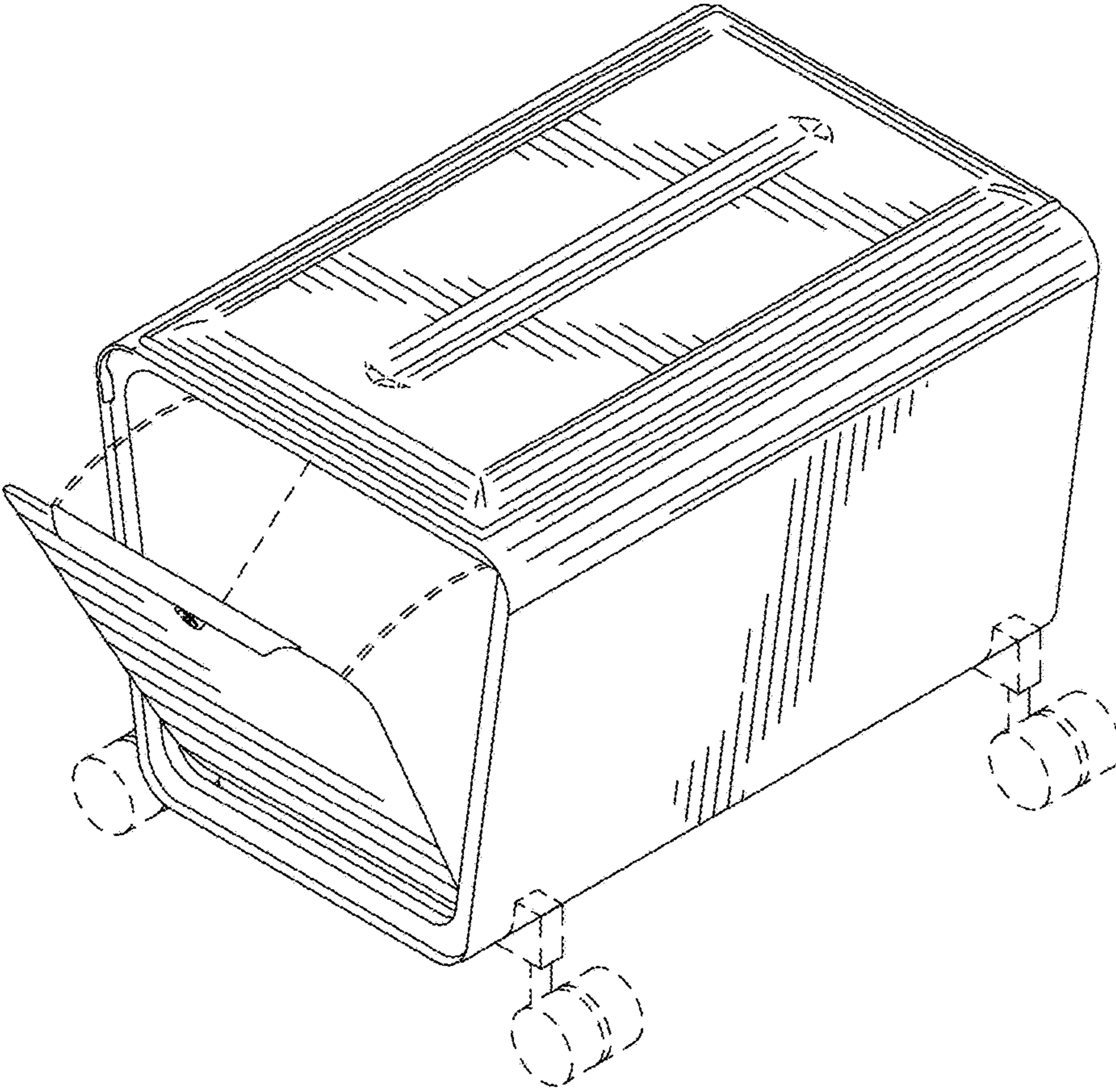


FIG. 7

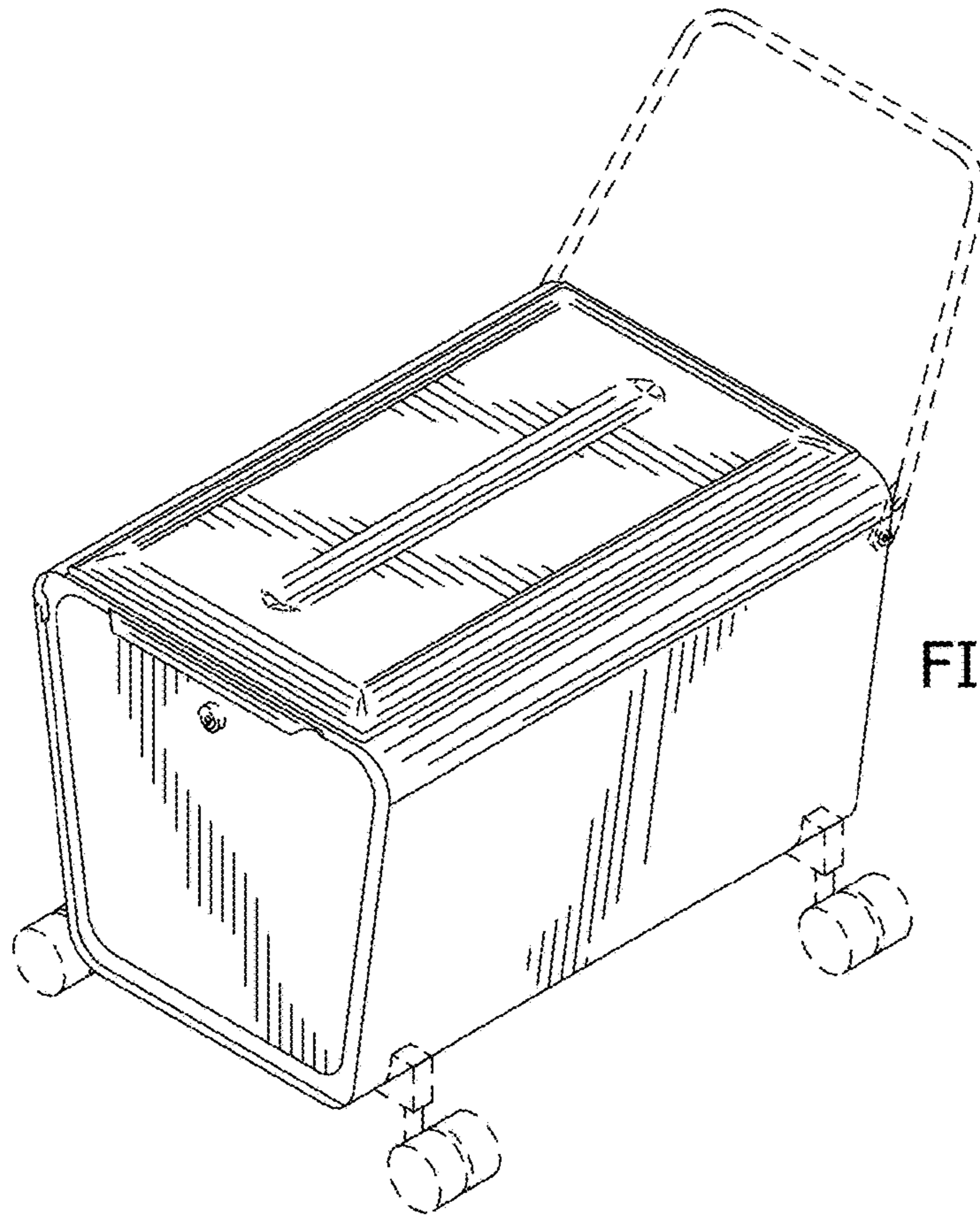


FIG. 8

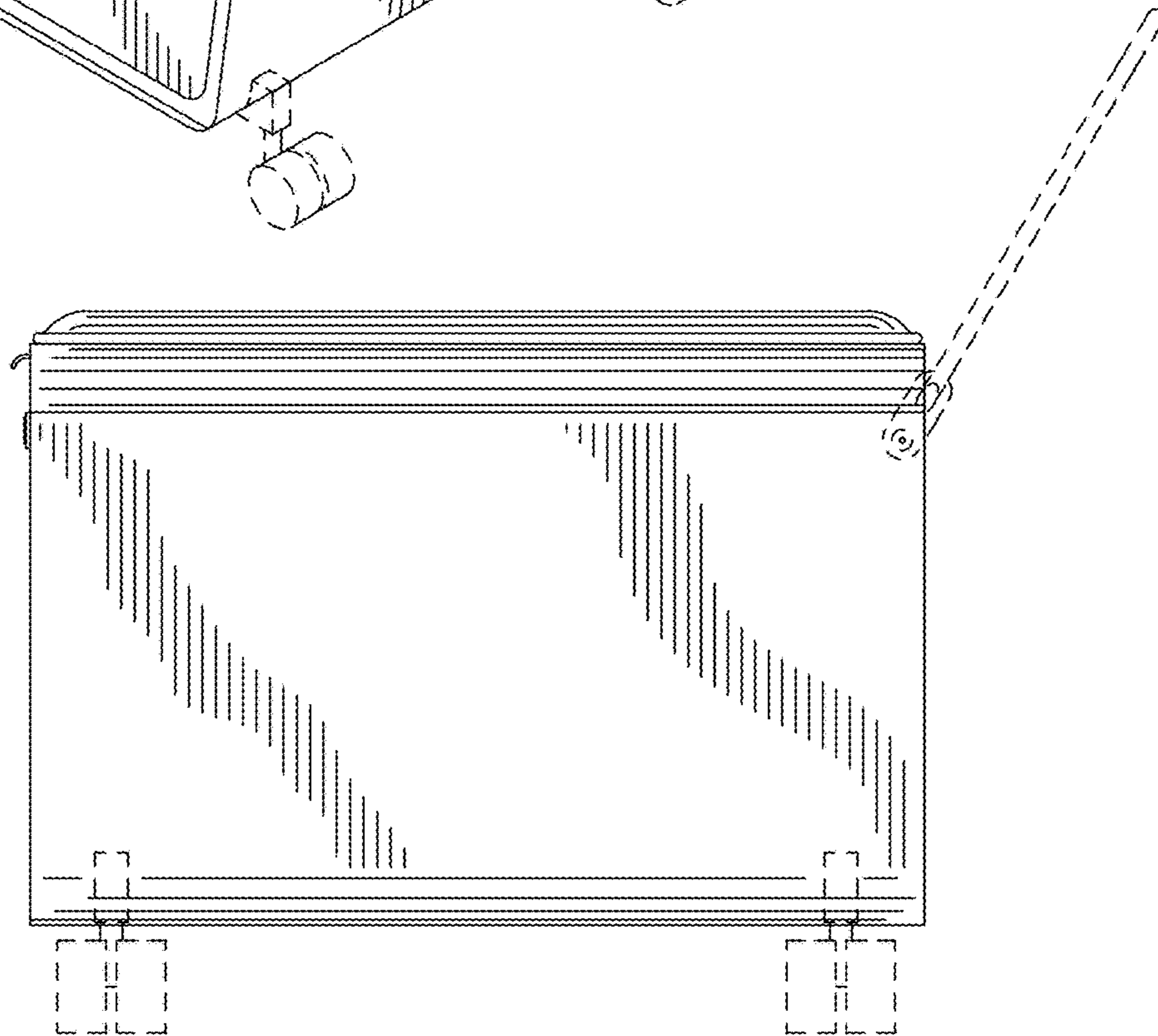
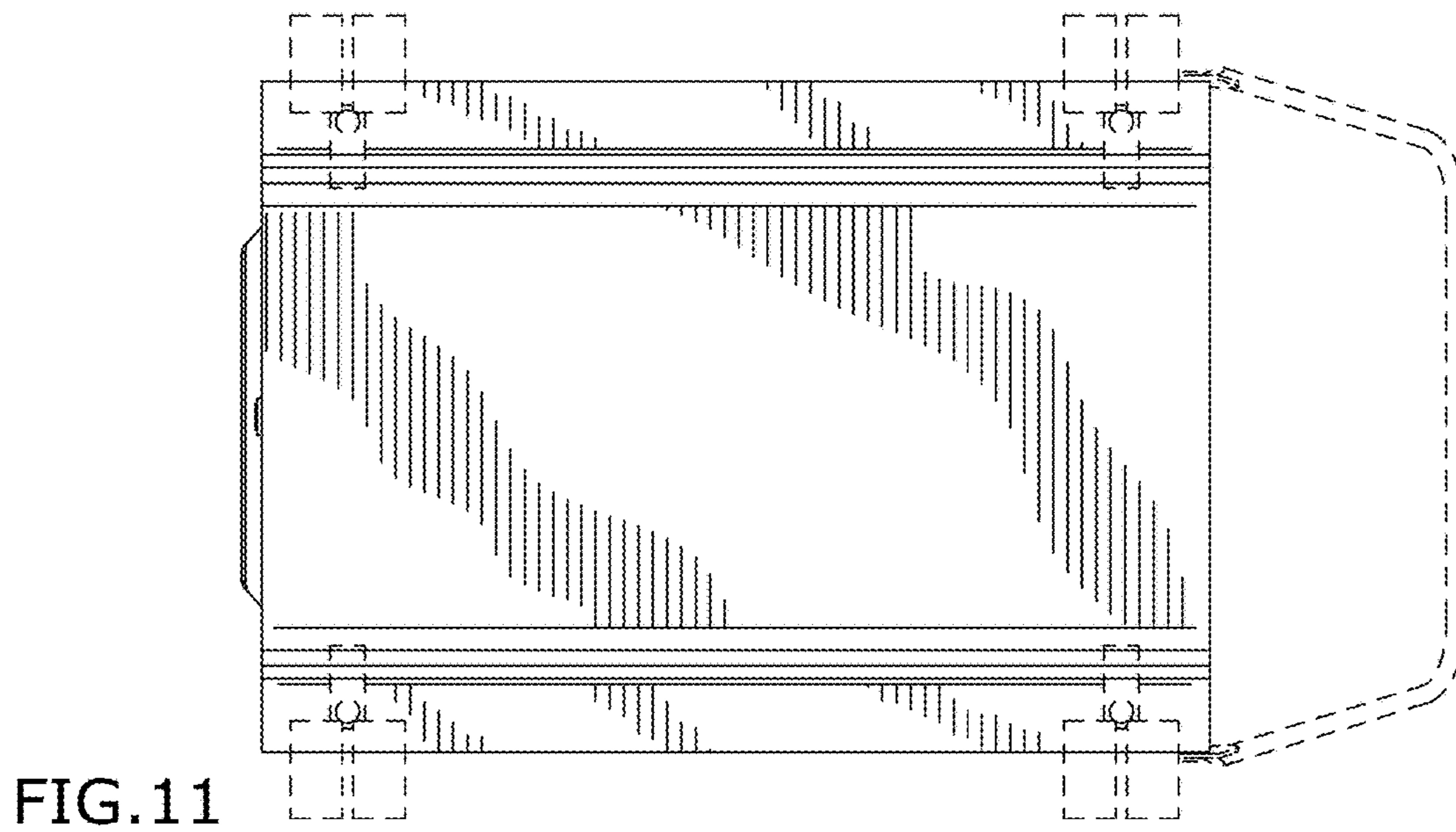
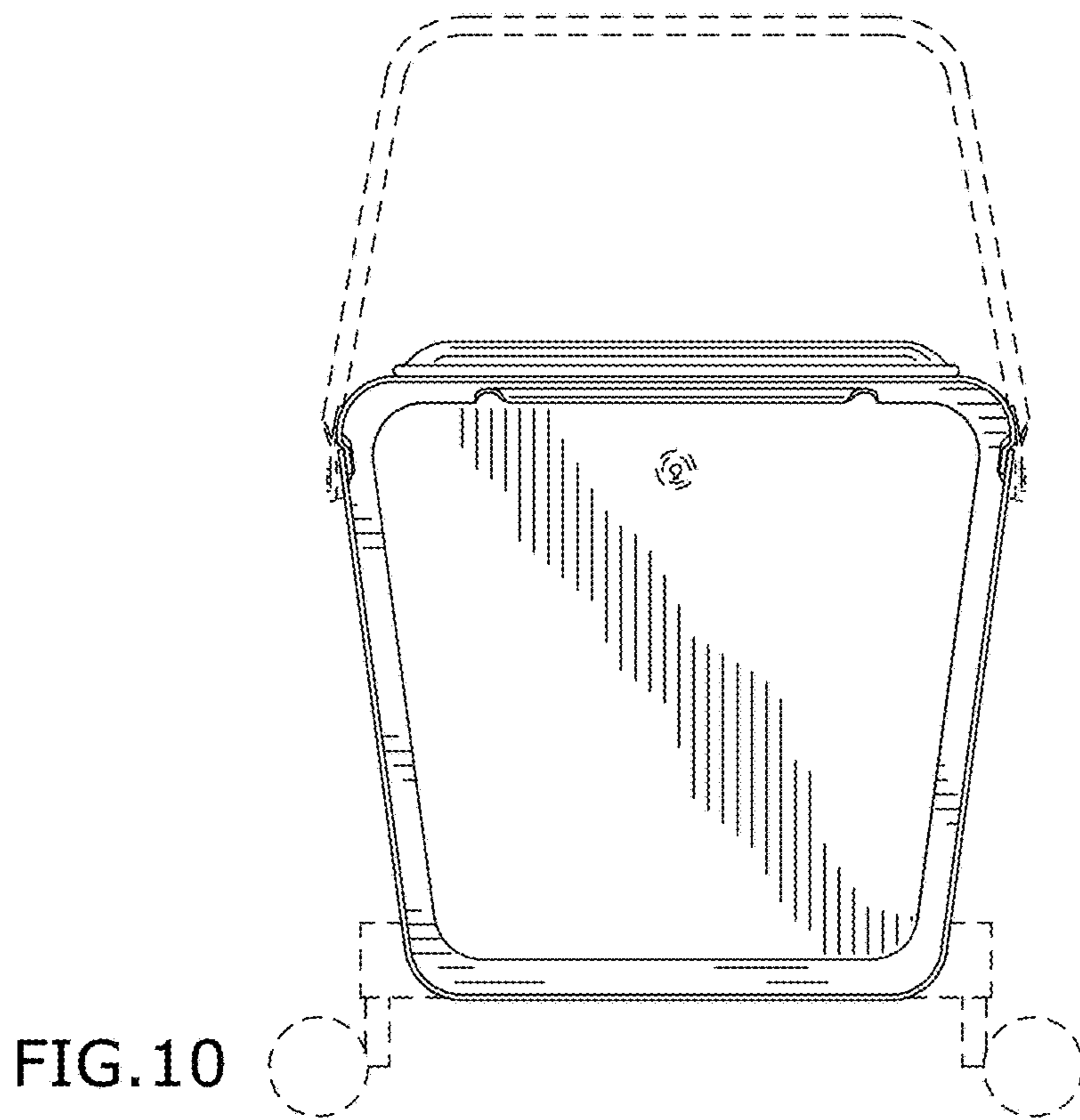
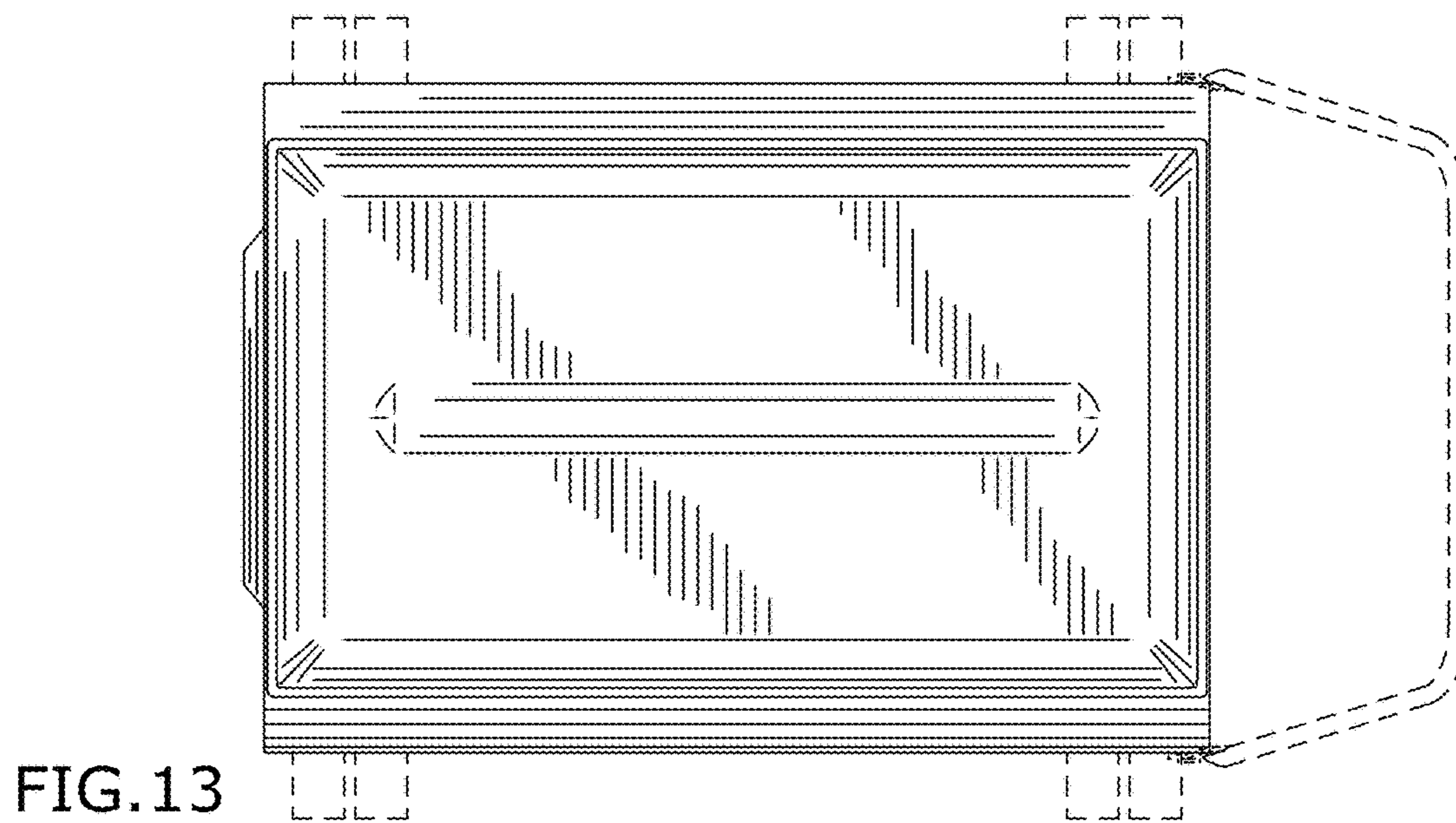
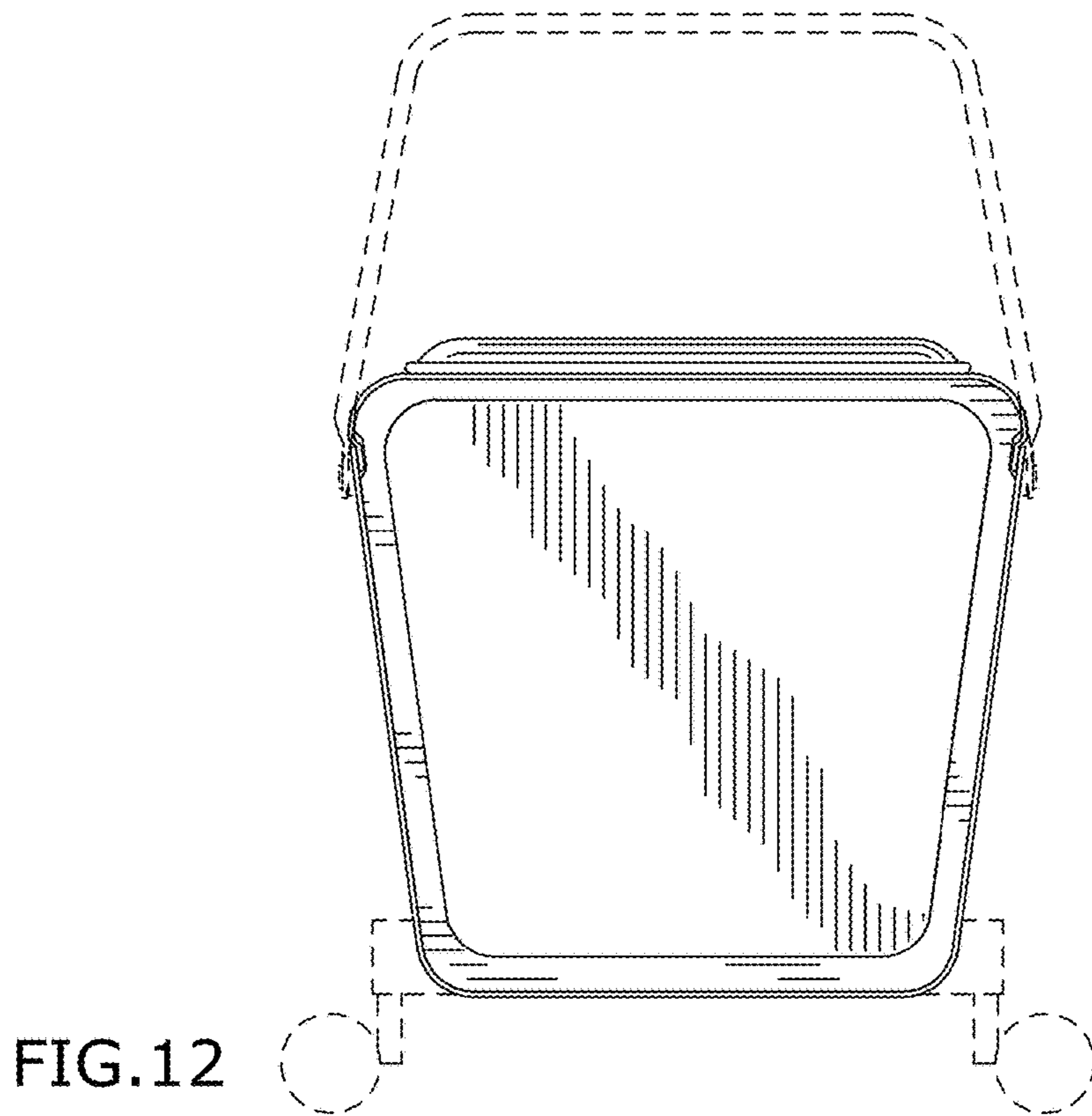


FIG. 9









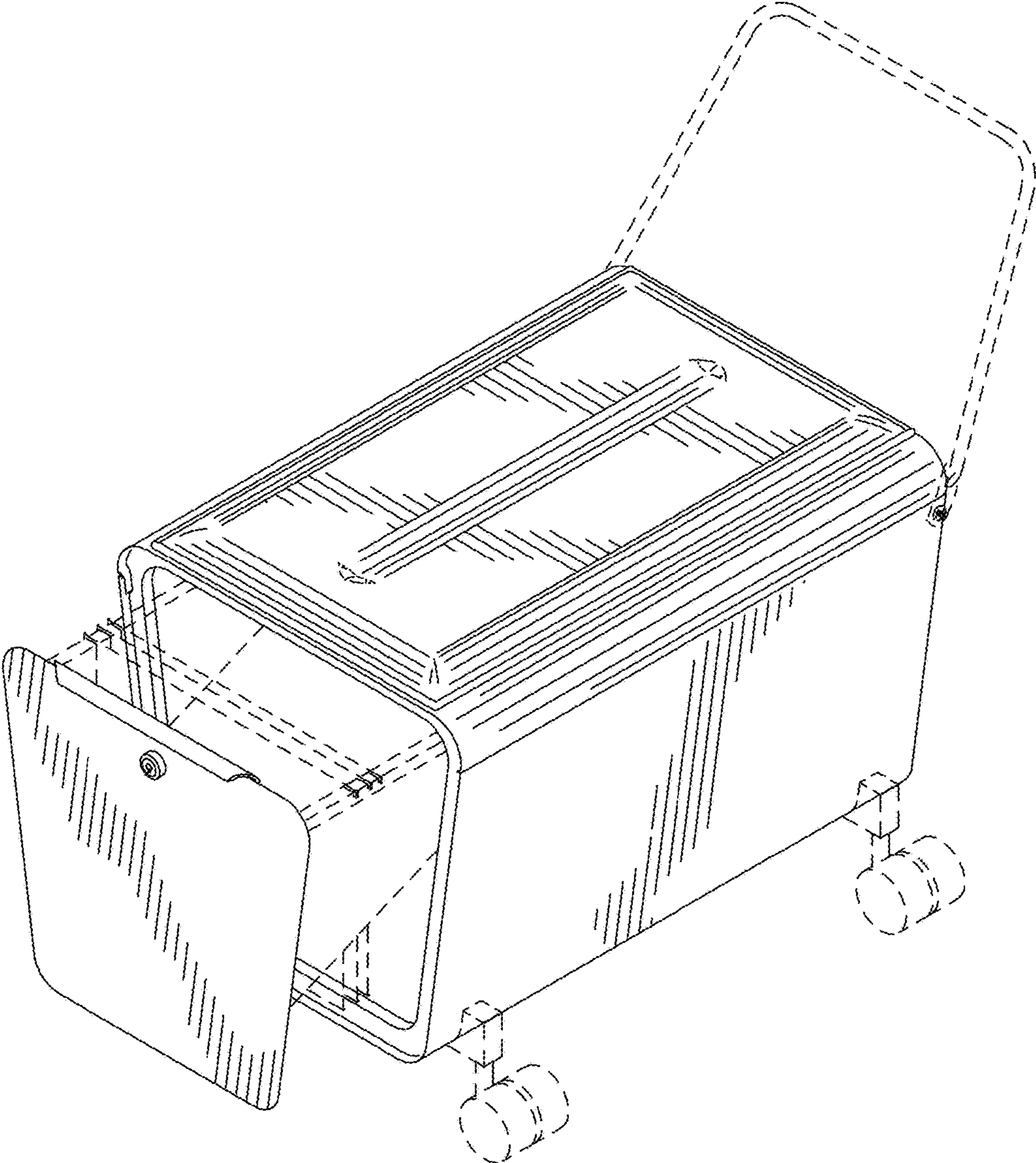


FIG.14