



US00D796869S

(12) **United States Design Patent** (10) **Patent No.:** **US D796,869 S**
Higashi et al. (45) **Date of Patent:** **** Sep. 12, 2017**

(54) **COMBINED PILLOW AND BLANKET**

(71) Applicants: **Jeff Higashi**, Torrance, CA (US);
Steven J. Laureanti, Gilbert, AZ (US);
Pongnut Krainichakul, Los Angeles,
CA (US); **Jiwon Yang**, Pasadena, CA
(US)

(72) Inventors: **Jeff Higashi**, Torrance, CA (US);
Steven J. Laureanti, Gilbert, AZ (US);
Pongnut Krainichakul, Los Angeles,
CA (US); **Jiwon Yang**, Pasadena, CA
(US)

(**) Term: **14 Years**

(21) Appl. No.: **29/518,743**

(22) Filed: **Feb. 26, 2015**

(51) **LOC (10) Cl.** **06-09**

(52) **U.S. Cl.**
USPC **D6/601**

(58) **Field of Classification Search**
USPC D3/233; D6/601
CPC A45C 9/00; A45C 3/10; A47G 9/10; A47G
9/109; A47G 9/1081; A47G 9/007; A47K
3/125; A47C 1/146

See application file for complete search history.

(56) **References Cited**

U.S. PATENT DOCUMENTS

4,154,323	A *	5/1979	Sneider	A45C 9/00 190/2
4,194,601	A *	3/1980	Yellin	A45C 3/10 190/2
4,197,891	A *	4/1980	Comollo	A45F 4/06 190/2
D300,784	S *	4/1989	Powers	D3/233
D324,769	S *	3/1992	Hart	D3/233
D364,302	S *	11/1995	Cloud	D6/406.5

(Continued)

Primary Examiner — Holly Baynham

(74) *Attorney, Agent, or Firm* — Jackson White, PC;
Steven J. Laureanti

(57) **CLAIM**

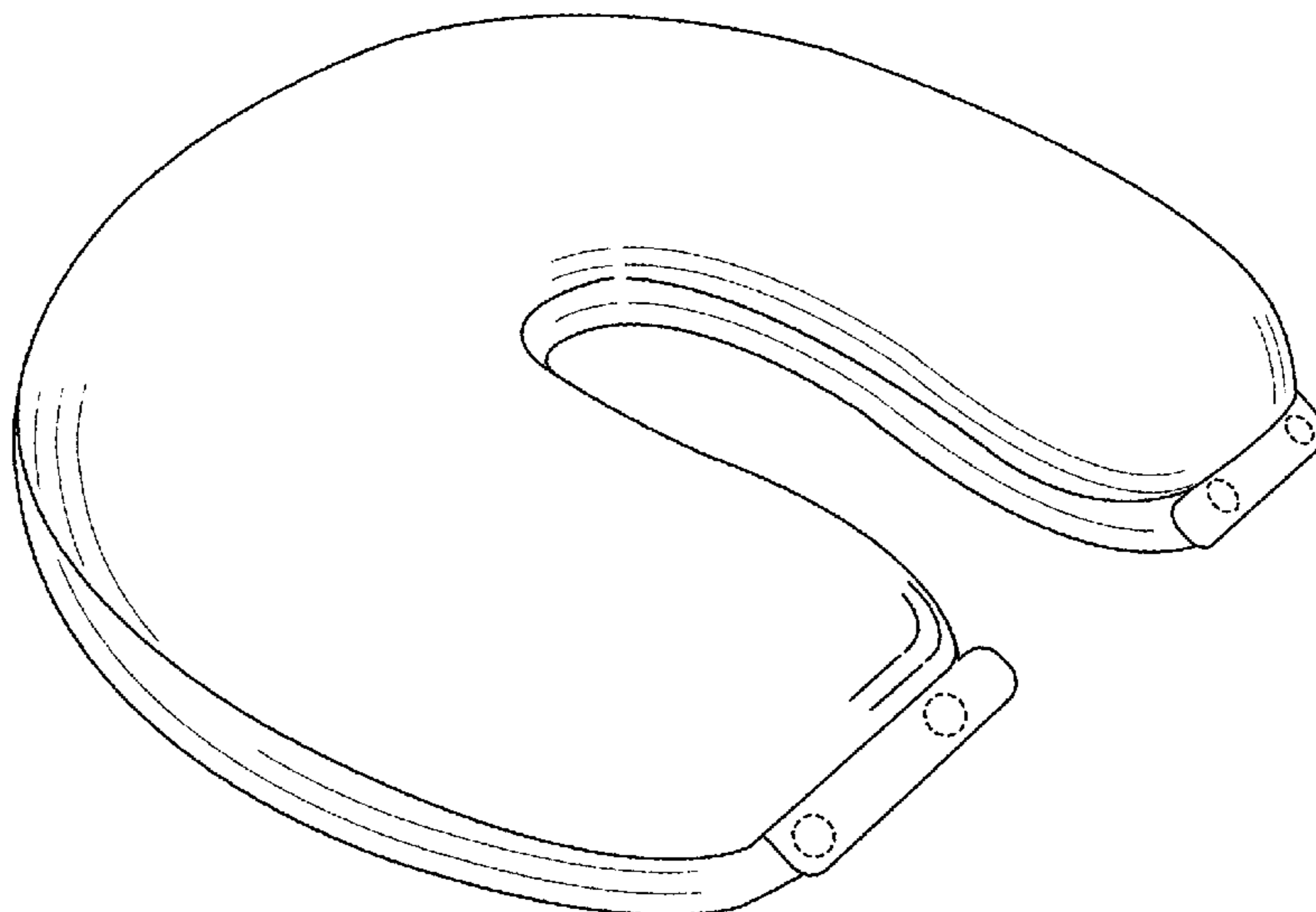
The ornamental design for a combined pillow and blanket,
as shown and described.

DESCRIPTION

FIG. 1 is a perspective view of the present invention;
FIG. 2 is another perspective view of the present invention;
FIG. 3 is a top view of the present invention; the bottom
view being a mirror image thereof
FIG. 4 is a front view of the present invention;
FIG. 5 is a back view of the present invention;
FIG. 6 is a right side view of the present invention; the left
side view being a mirror image thereof
FIG. 7 is a perspective view of the alternate embodiment of
the present invention with a bag;
FIG. 8 is another perspective view of the alternate embodi-
ment of the present invention with a bag;
FIG. 9 is a top view of the alternate embodiment of the
present invention with a bag;
FIG. 10 is a bottom view of the alternate embodiment of the
present invention with a bag;
FIG. 11 is a front view of the alternate embodiment of the
present invention with a bag;
FIG. 12 is a back view of the alternate embodiment of the
present invention with a bag;
FIG. 13 is a right side view of the alternate embodiment of
the present invention with a bag; and,
FIG. 14 is a left side view of the alternate embodiment of the
present invention with a bag.

The broken lines in the figures immediately adjacent the
solid lines represent the bounds of the claim, and the broken
lines and the area within the broken lines represent
unclaimed portions of the present invention. None of the
broken lines form a part of the claimed design.

1 Claim, 6 Drawing Sheets



(56)

References Cited

U.S. PATENT DOCUMENTS

D392,146 S * 3/1998 Gregg D6/608
6,523,200 B2 * 2/2003 Brown A41B 13/10
2/49.1
D472,045 S * 3/2003 Nieves D3/233
6,532,611 B1 * 3/2003 Day A47C 7/383
5/636
6,634,041 B2 * 10/2003 Higashi A45C 3/10
383/4
D516,306 S * 3/2006 Koenig D3/233
D516,307 S * 3/2006 Koenig D3/233
7,111,343 B1 * 9/2006 Bates A45C 9/00
383/4
D545,566 S * 7/2007 Guyon D3/233
D546,105 S * 7/2007 McMillian D6/601
D550,017 S * 9/2007 Boutin D6/595
D553,411 S * 10/2007 Boutin D6/595
D632,481 S * 2/2011 Detwiler D3/233
D648,935 S * 11/2011 Wickrama D3/233
D707,062 S * 6/2014 Fraioli D3/233
D709,285 S * 7/2014 Meillan D3/233
D737,570 S * 9/2015 Lawson D3/233

* cited by examiner

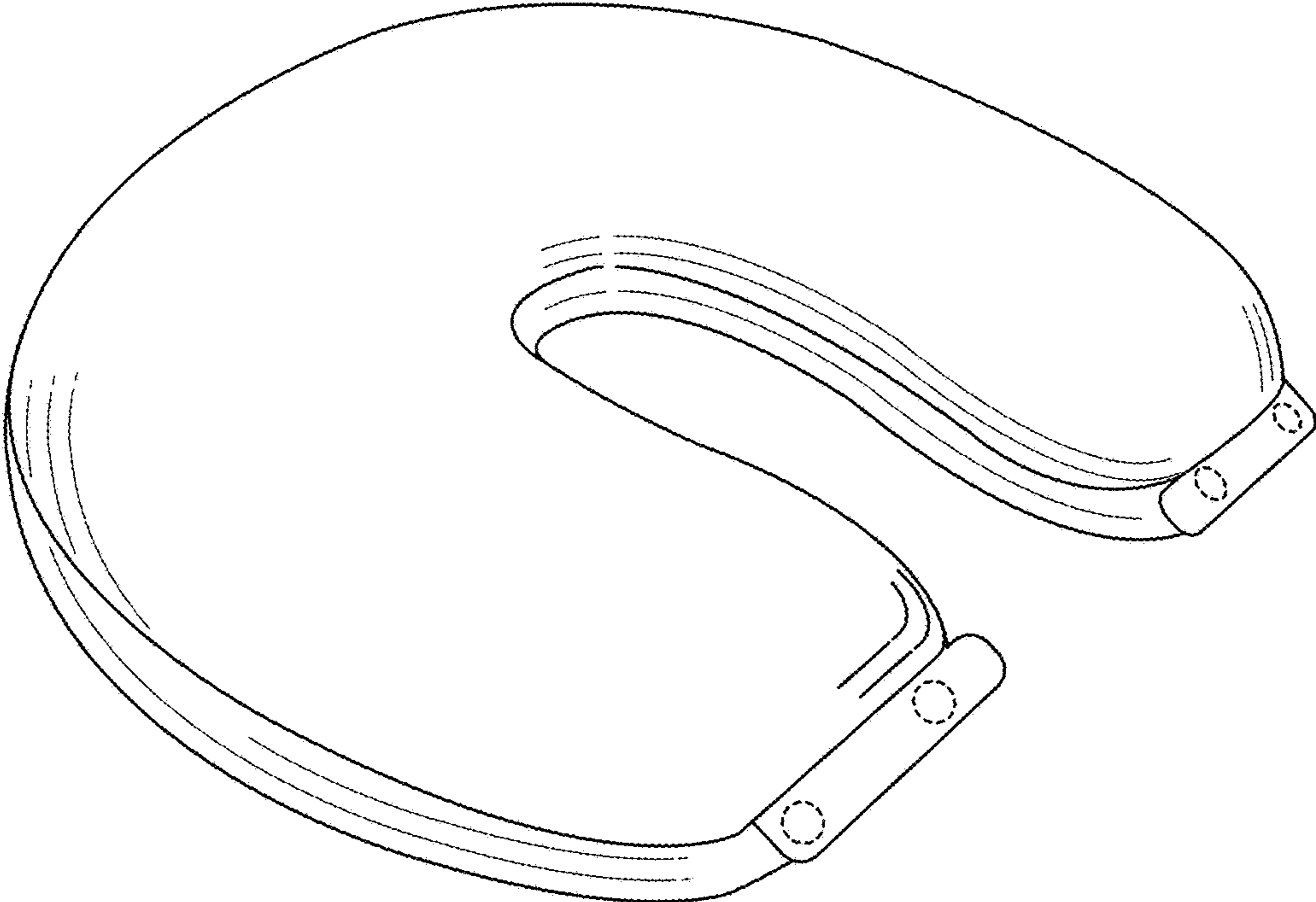


FIG. 1

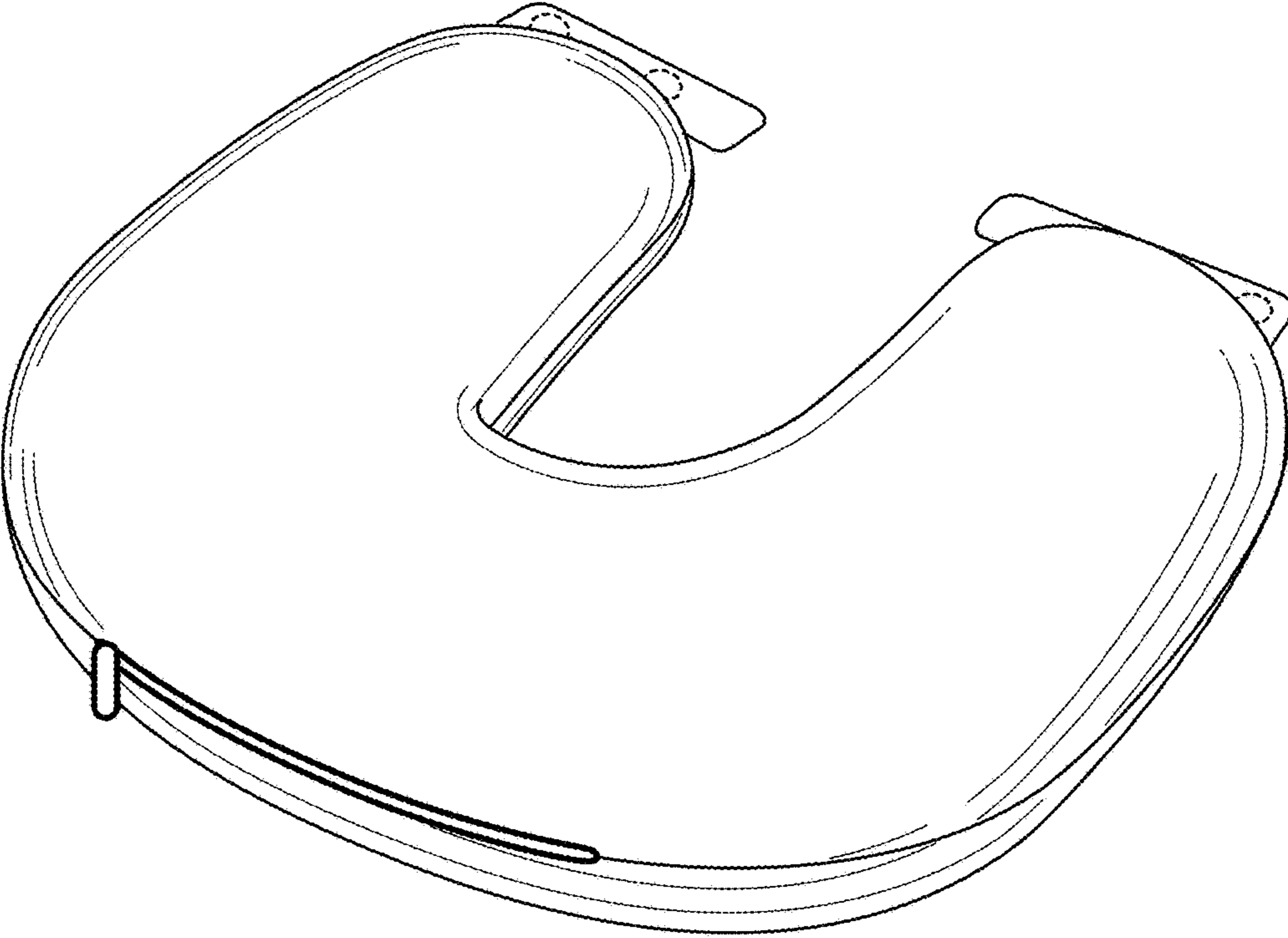


FIG. 2

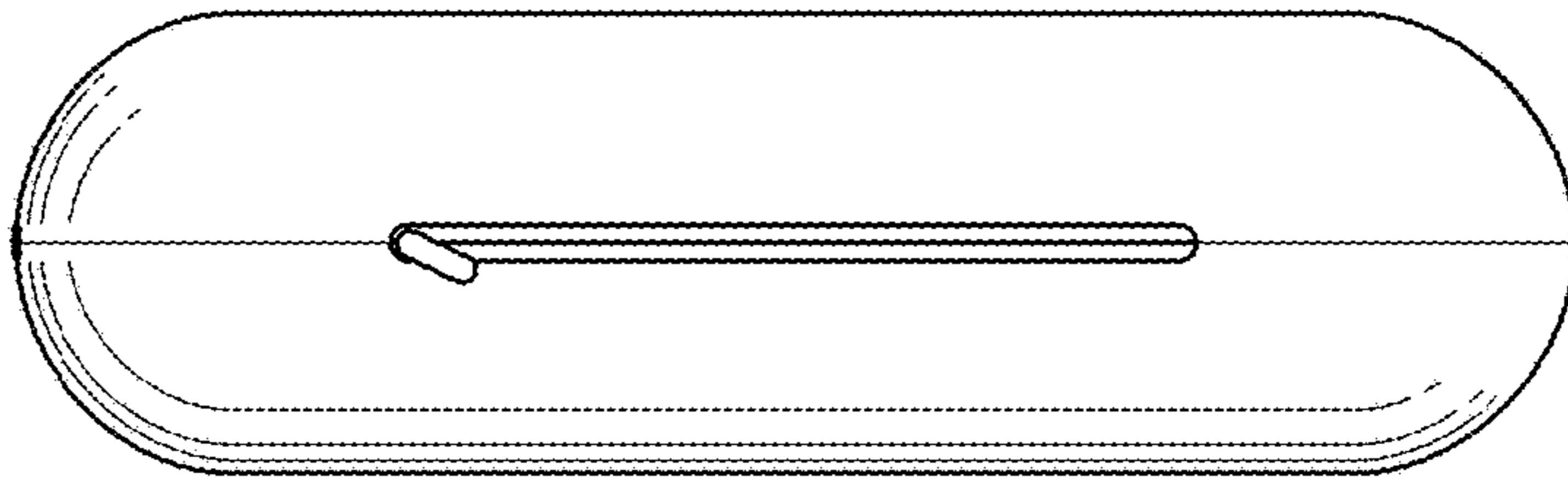


FIG. 5

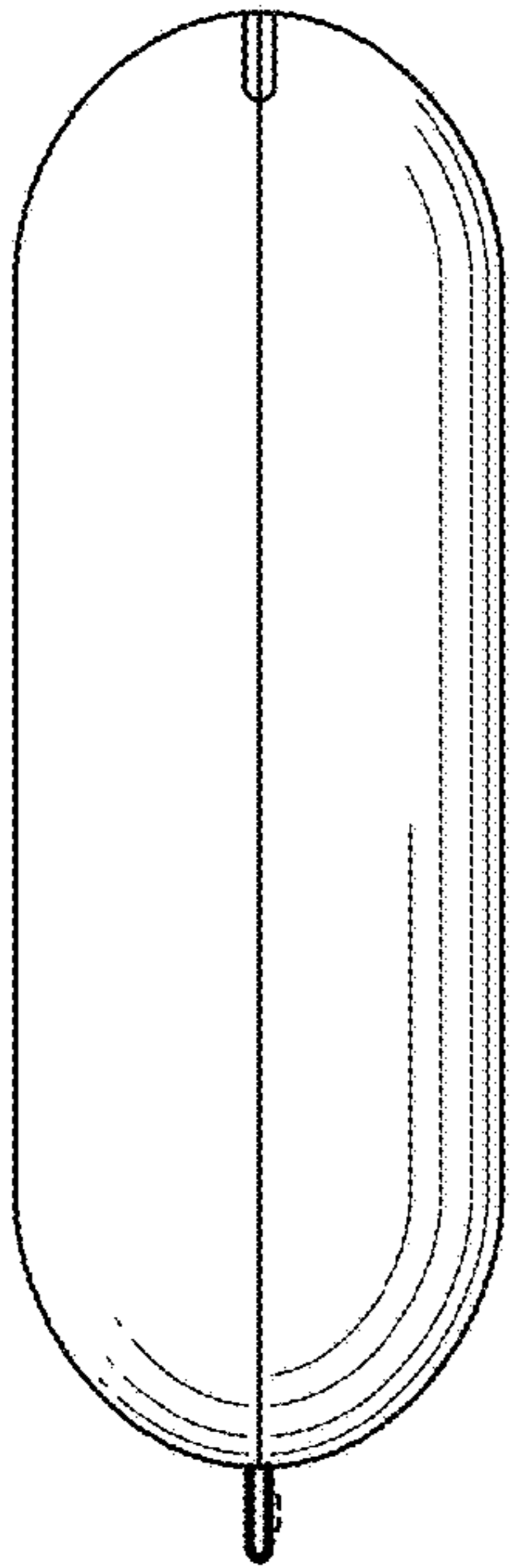


FIG. 6

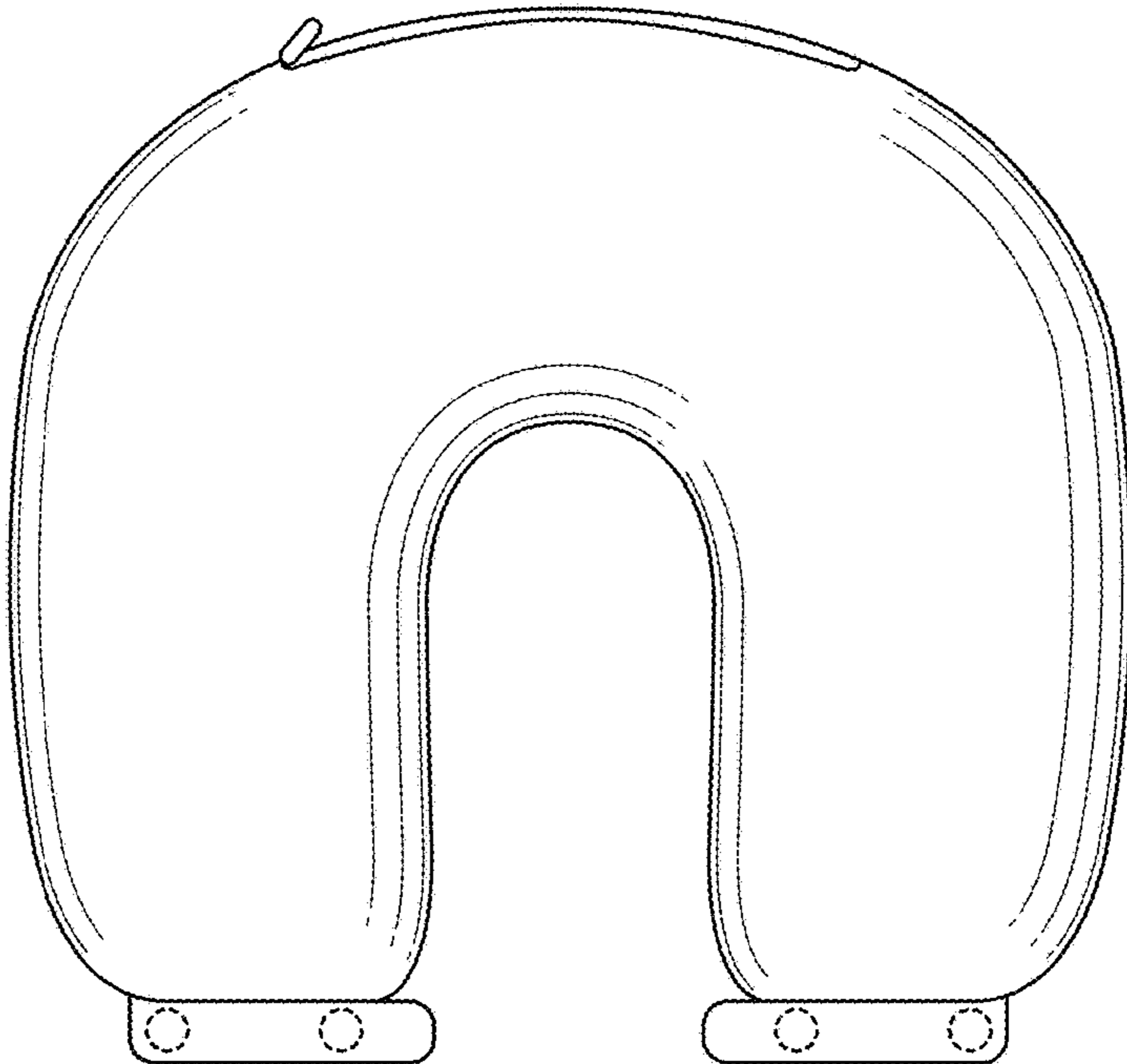


FIG. 3

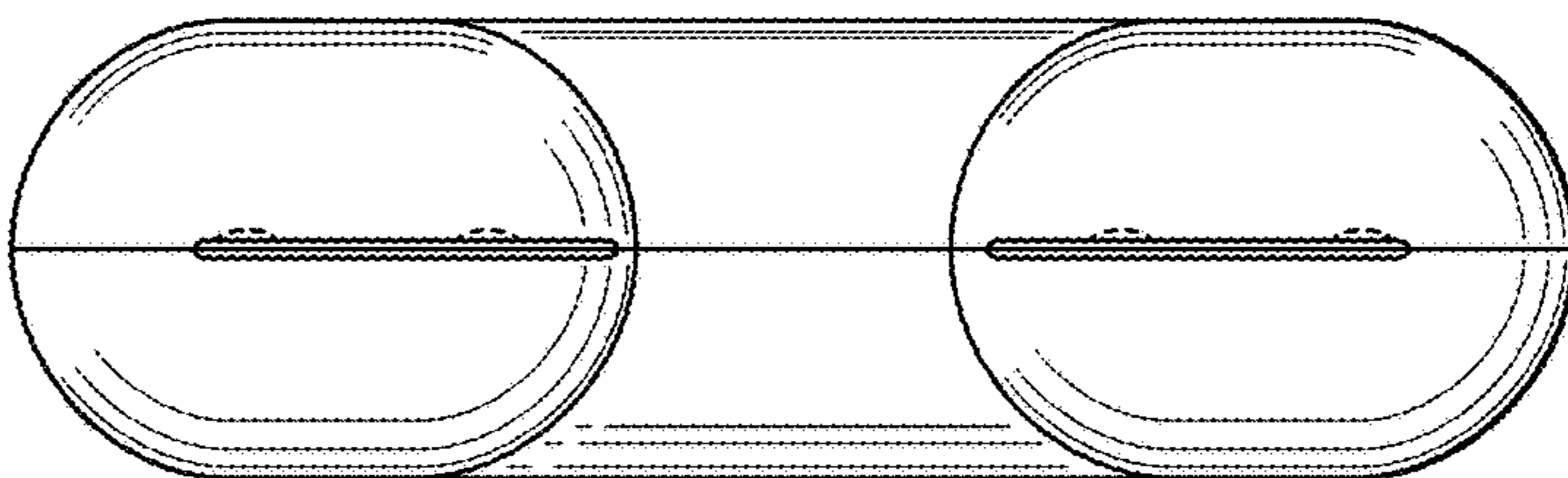


FIG. 4

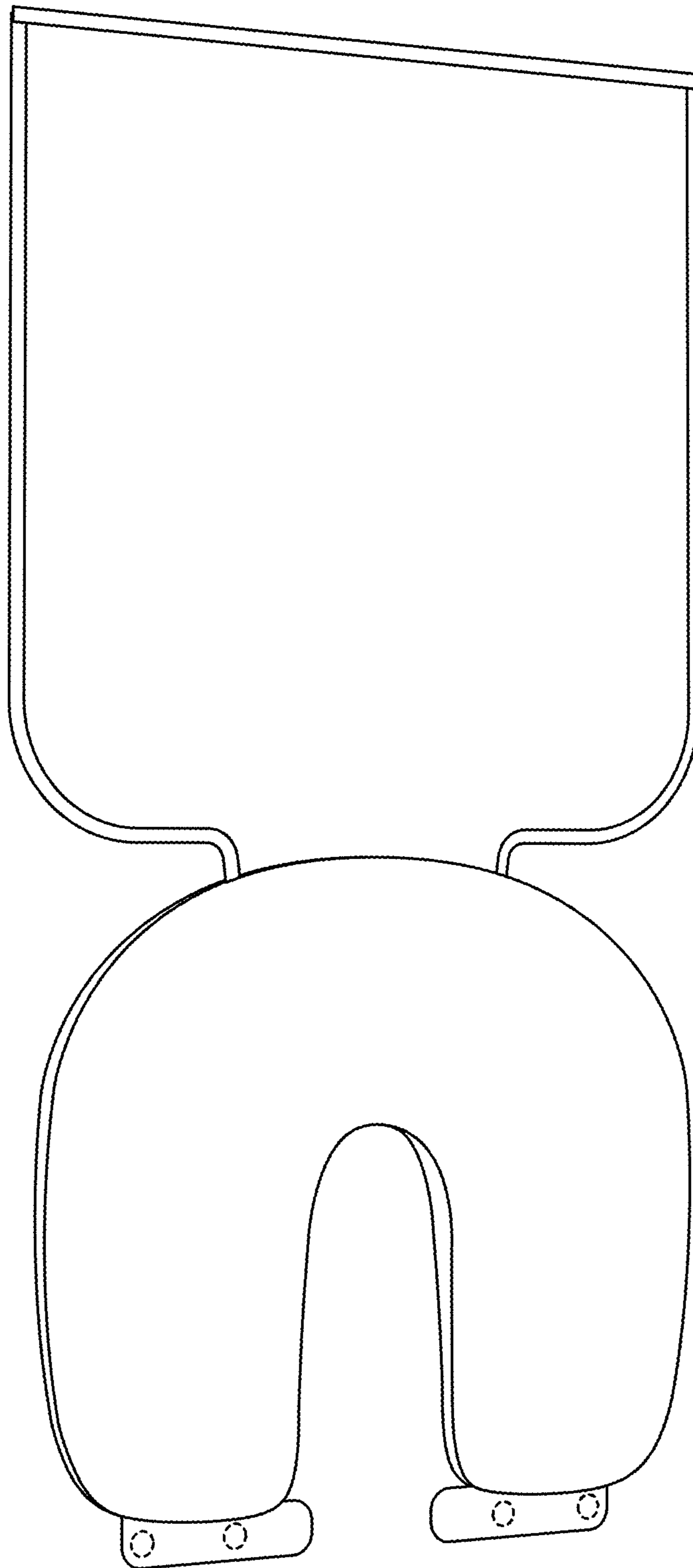


FIG. 7

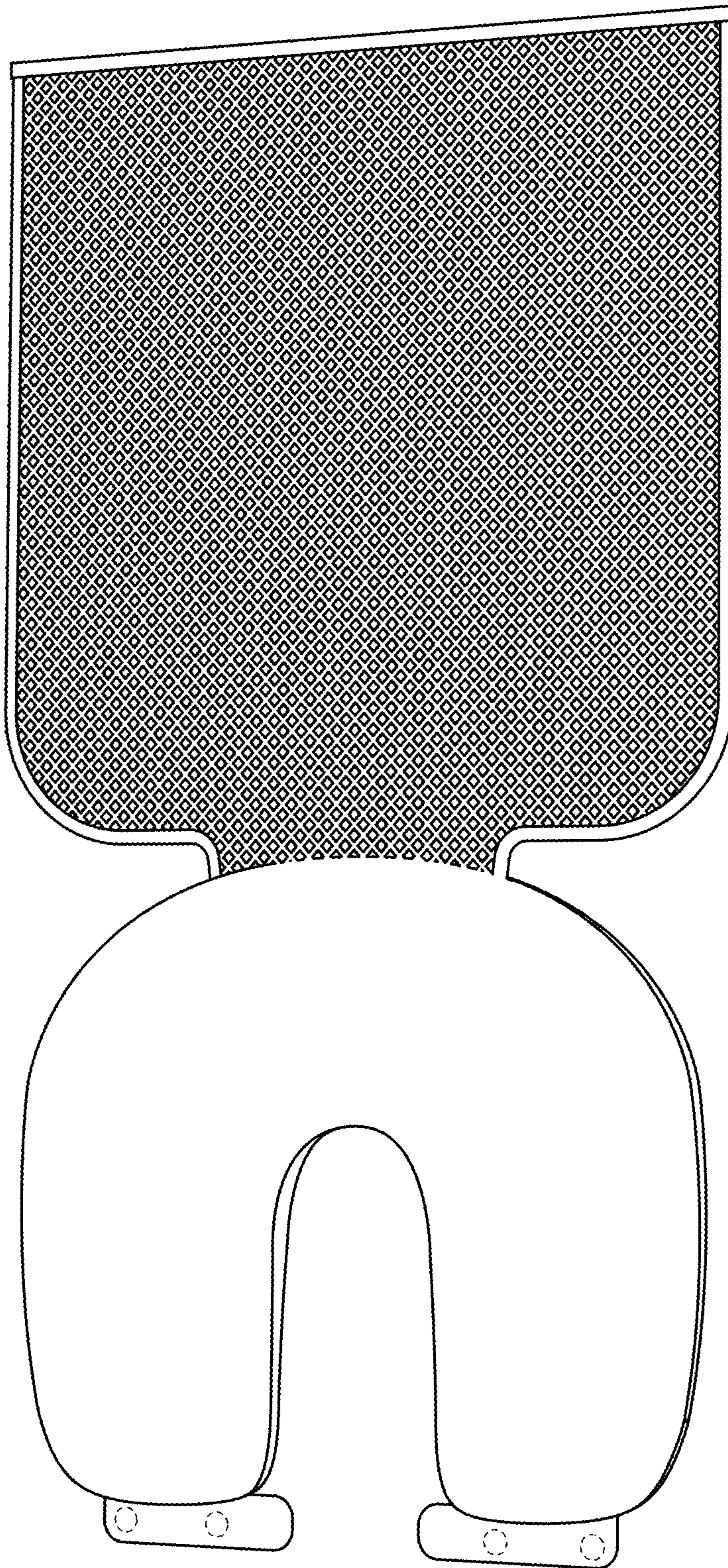


FIG. 8

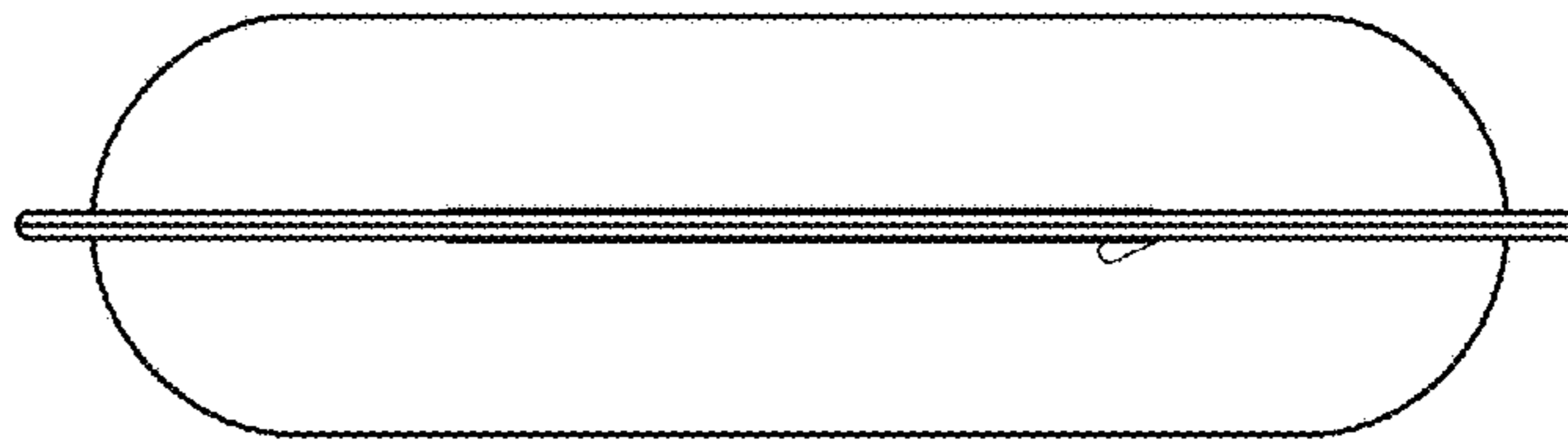


FIG. 12

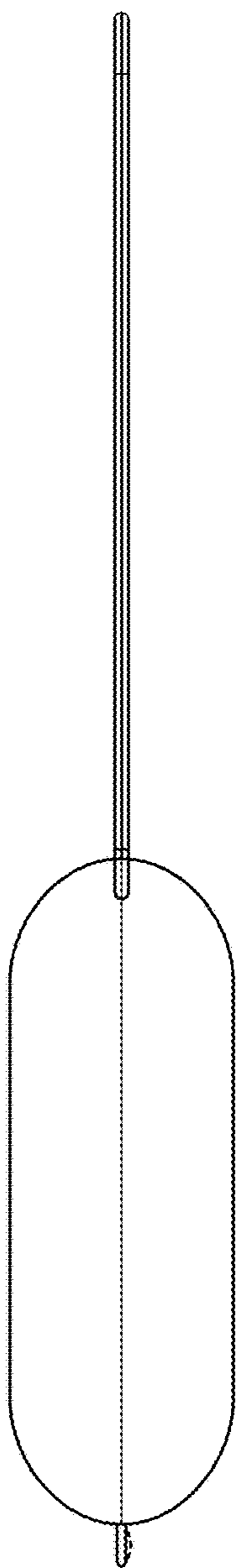


FIG. 13

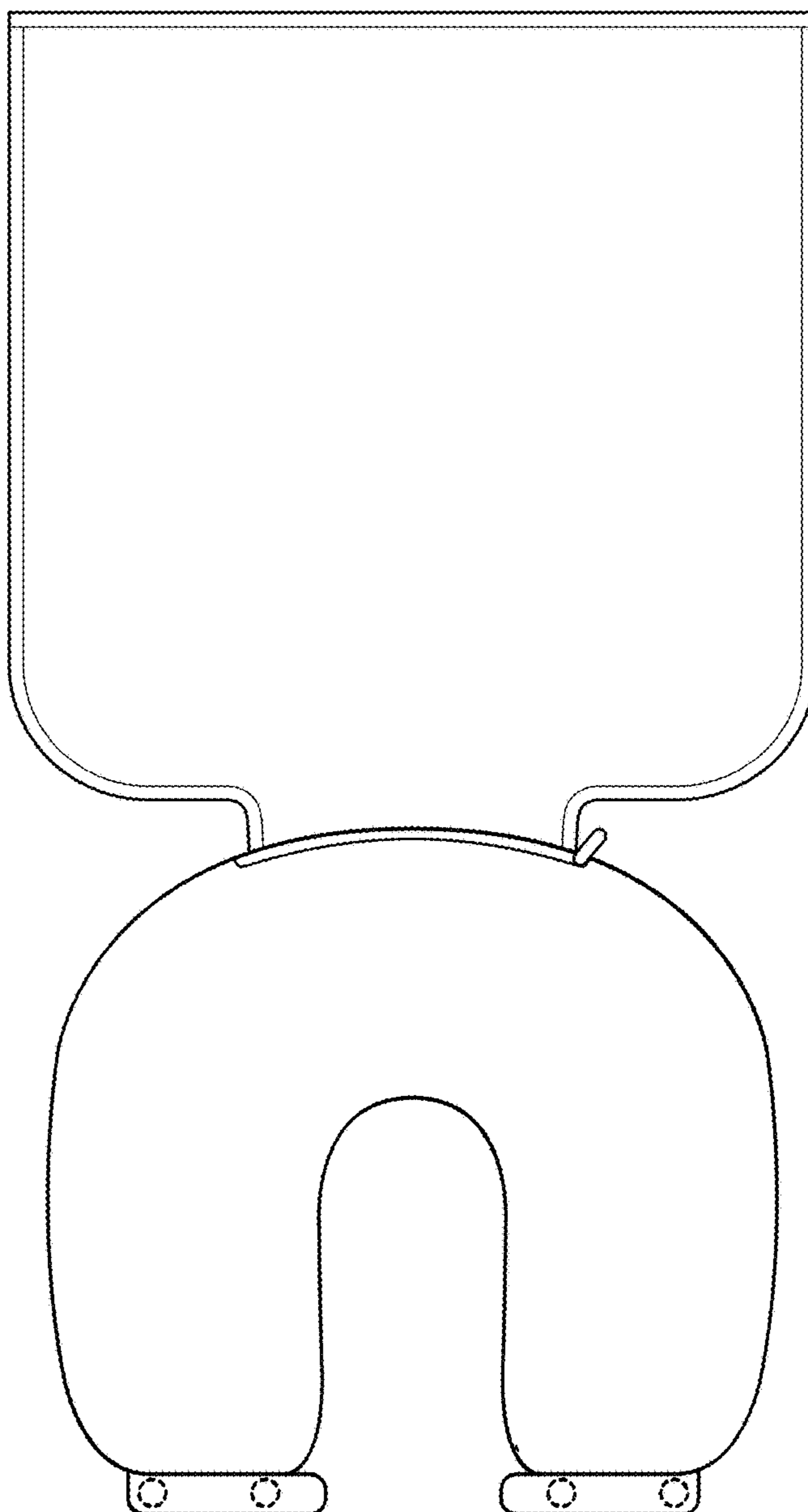


FIG. 9

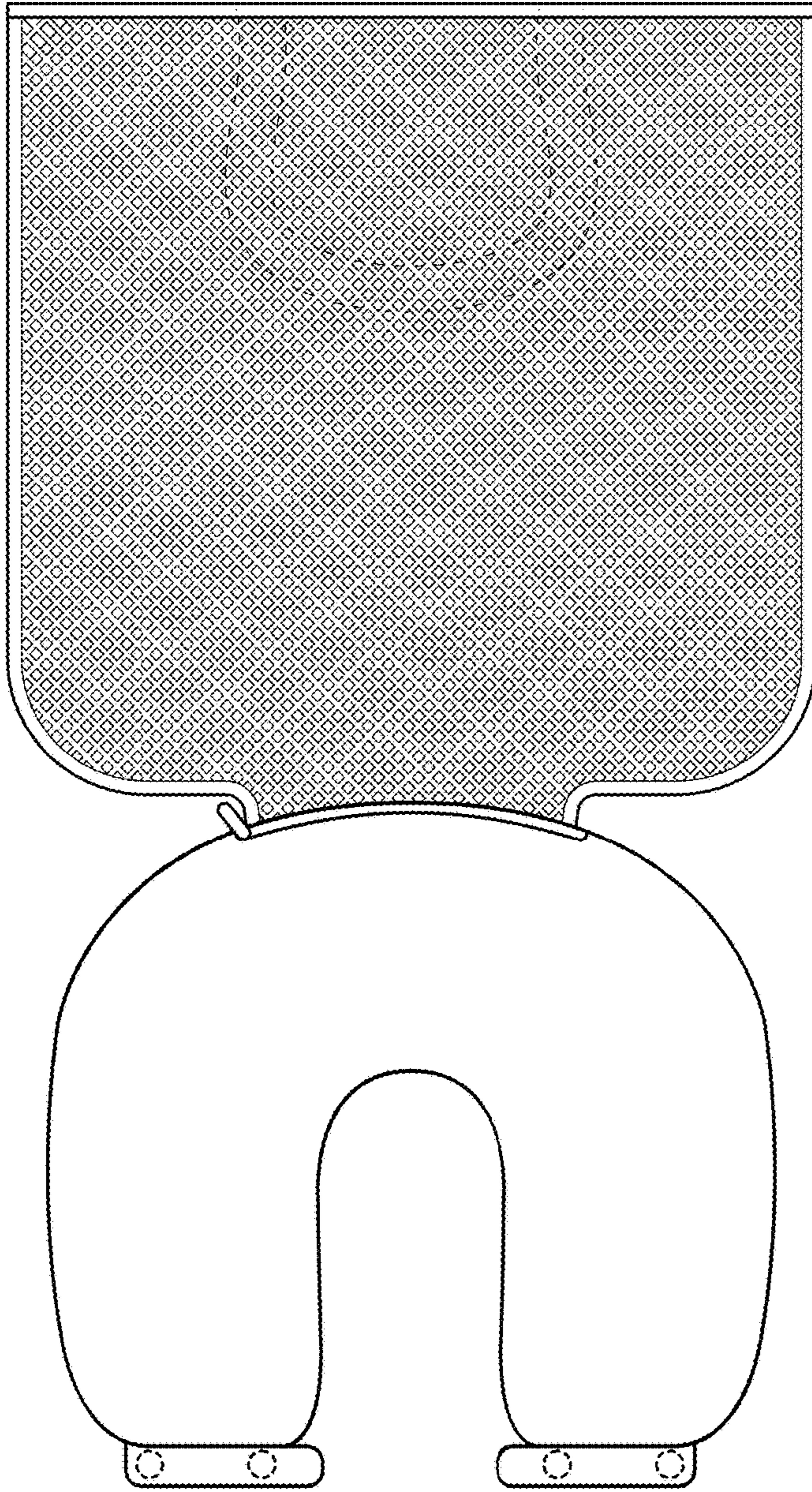


FIG. 10

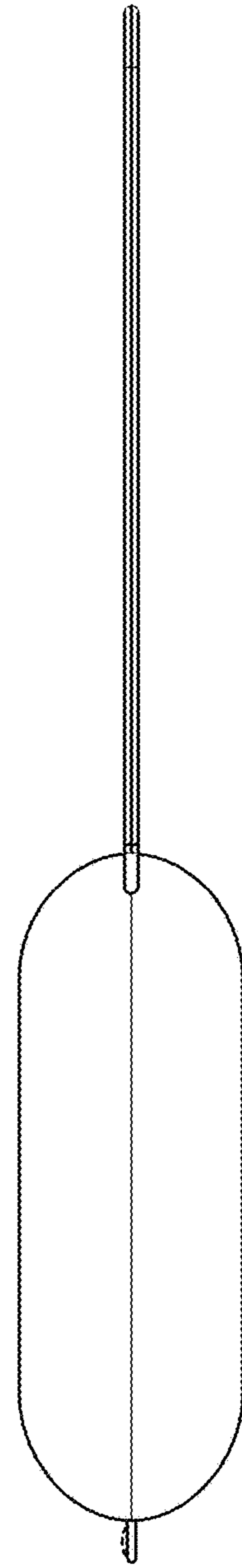


FIG. 14

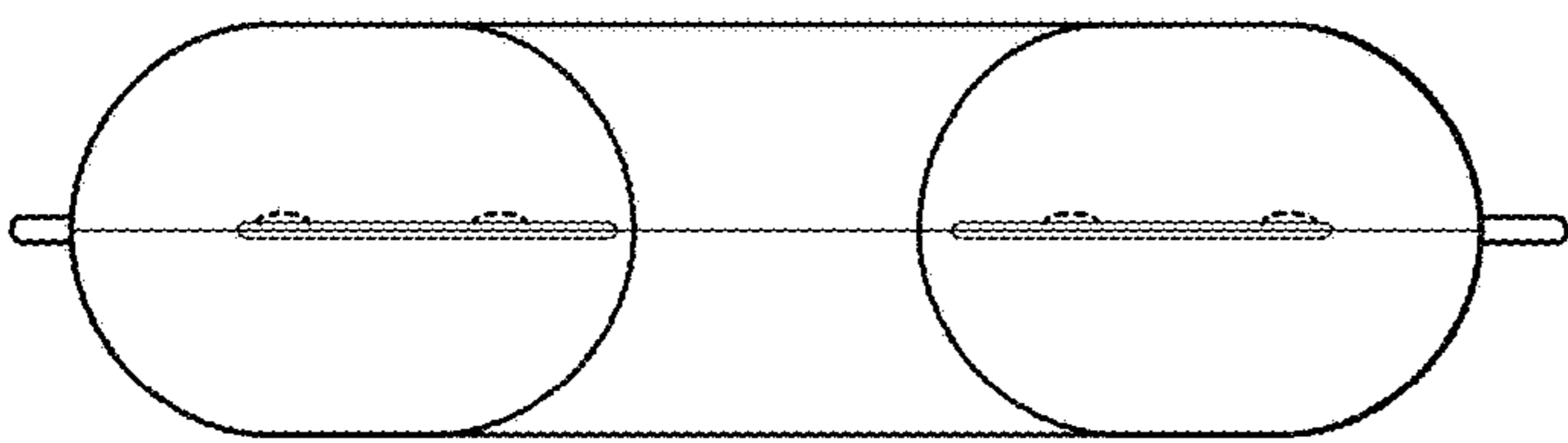


FIG. 11