



US00D796864S

(12) **United States Design Patent** (10) **Patent No.:** **US D796,864 S**
Tran (45) **Date of Patent:** **** Sep. 12, 2017**

(54) **CHAIR**
(71) Applicant: **Hy Duy Tran**, Oxnard, CA (US)
(72) Inventor: **Hy Duy Tran**, Oxnard, CA (US)
(**) Term: **15 Years**
(21) Appl. No.: **29/556,346**
(22) Filed: **Feb. 29, 2016**
(51) **LOC (10) Cl.** **06-01**
(52) **U.S. Cl.**
USPC **D6/380**
(58) **Field of Classification Search**
USPC D6/334, 335, 336, 369, 370, 371, 372,
D6/373, 374, 375, 376, 377, 378, 379,
D6/380, 381, 716, 716.1, 716.2, 716.3,
D6/716.4; 297/411.42
CPC A47C 3/04; A47C 4/02; A47C 4/03; A47C
5/02; A47C 5/12; A47C 7/54; A47C 7/16;
B60N 2/686
See application file for complete search history.

D446,959 S * 8/2001 Cramer D6/379
D464,209 S * 10/2002 Piretti D6/380
D477,471 S * 7/2003 Brooks D6/379
D544,234 S * 6/2007 Olano D6/374
D547,963 S * 8/2007 Olano D6/379
D547,964 S * 8/2007 Olano D6/379
D548,477 S * 8/2007 Olano D6/379
D579,226 S * 10/2008 Pinaffo D6/379
D587,477 S * 3/2009 Neil D6/379
D597,332 S * 8/2009 Carmon D6/369
D597,757 S * 8/2009 Barbieri D6/374
D601,822 S * 10/2009 Neil D6/374
D602,268 S * 10/2009 Viererbl D6/334
D602,277 S * 10/2009 Neil D6/379
D607,661 S * 1/2010 Chadwick D6/380
D610,816 S * 3/2010 Keichel D6/334
D654,285 S * 2/2012 Ballendat D6/379
D656,336 S * 3/2012 Neil D6/379
D670,928 S * 11/2012 Montel D6/375
D693,590 S * 11/2013 Irvine D6/379
D694,544 S * 12/2013 Chipman D6/375
D752,894 S * 4/2016 Tiet D6/379
D763,002 S * 8/2016 Moscheri D6/379

(Continued)

Primary Examiner — Karen Kearney
Assistant Examiner — Christopher J Matthews
(74) *Attorney, Agent, or Firm* — Michael N Cohen;
Cohen IP Law Group PC

(56) **References Cited**

U.S. PATENT DOCUMENTS

D156,376 S * 12/1949 Schladermundt et al. D6/375
D235,829 S * 7/1975 Dransart D6/375
D238,837 S * 2/1976 Mullhauser D6/373
4,002,369 A * 1/1977 Jennings A47C 5/12
108/155
D278,393 S * 4/1985 Platner D6/374
D296,395 S * 6/1988 Polacsek D6/375
D362,557 S * 9/1995 Escalona D6/375
D364,973 S * 12/1995 de Reuver D6/375
D385,425 S * 10/1997 Goetz D6/374
D414,953 S * 10/1999 Goetz D6/379
D416,142 S * 11/1999 Donnelly D6/379
D417,794 S * 12/1999 Schmidt-Bandelow D6/360
D426,972 S * 6/2000 Bellini D6/334
D442,792 S * 5/2001 Martin D6/375

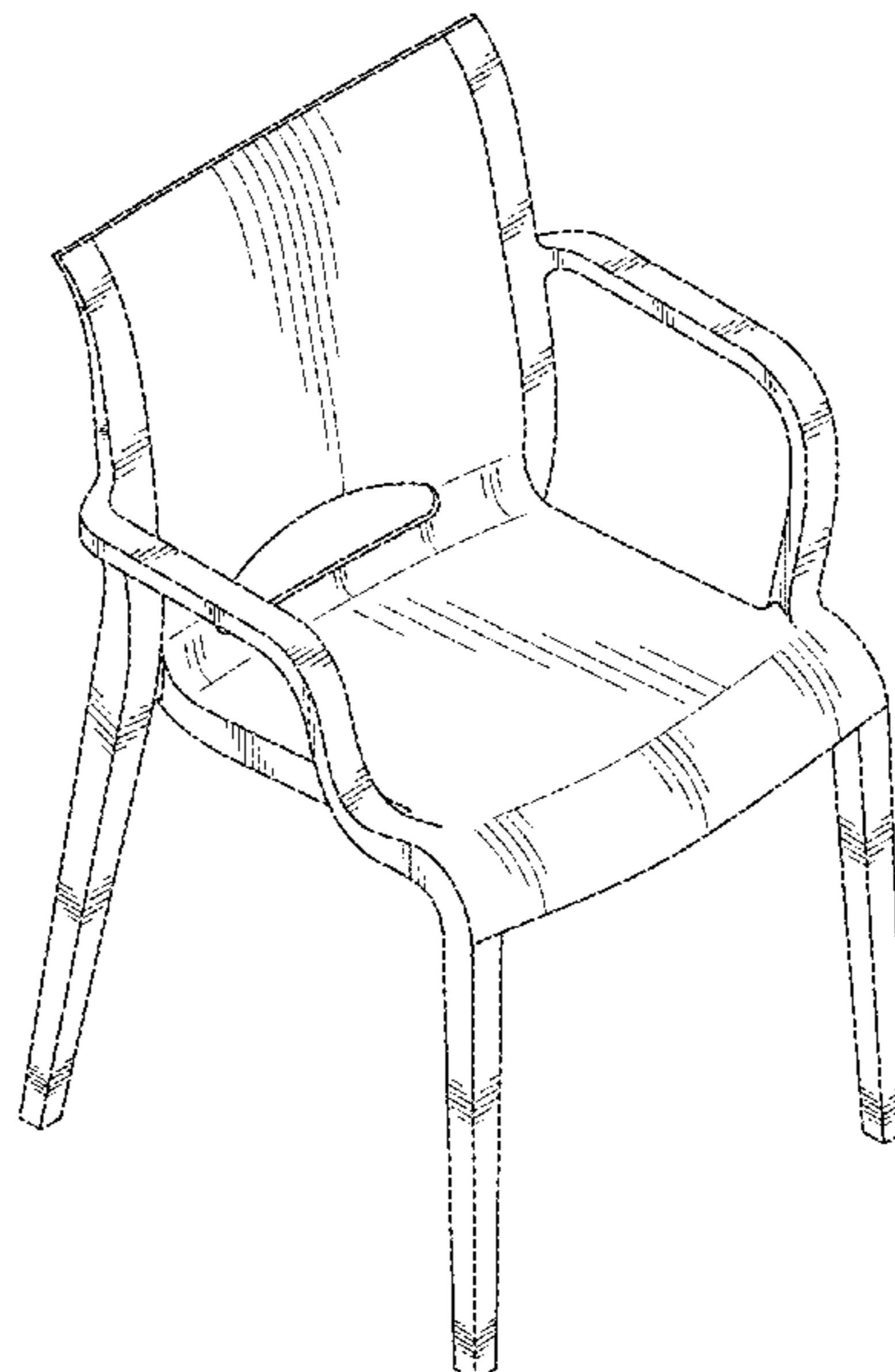
(57) **CLAIM**

I claim the ornamental design for the chair, as shown and described.

DESCRIPTION

FIG. 1 is a perspective view of the chair;
FIG. 2 is a side view of FIG. 1;
FIG. 3 is a front view of FIG. 1;
FIG. 4 is a back view of FIG. 1;
FIG. 5 is a top view of FIG. 1; and,
FIG. 6 is a bottom view of FIG. 1.

1 Claim, 6 Drawing Sheets



(56)

References Cited

U.S. PATENT DOCUMENTS

D770,193 S * 11/2016 Duvigneau D6/369
D779,223 S * 2/2017 Duvigneau D6/374
D779,224 S * 2/2017 Duvigneau D6/379

* cited by examiner

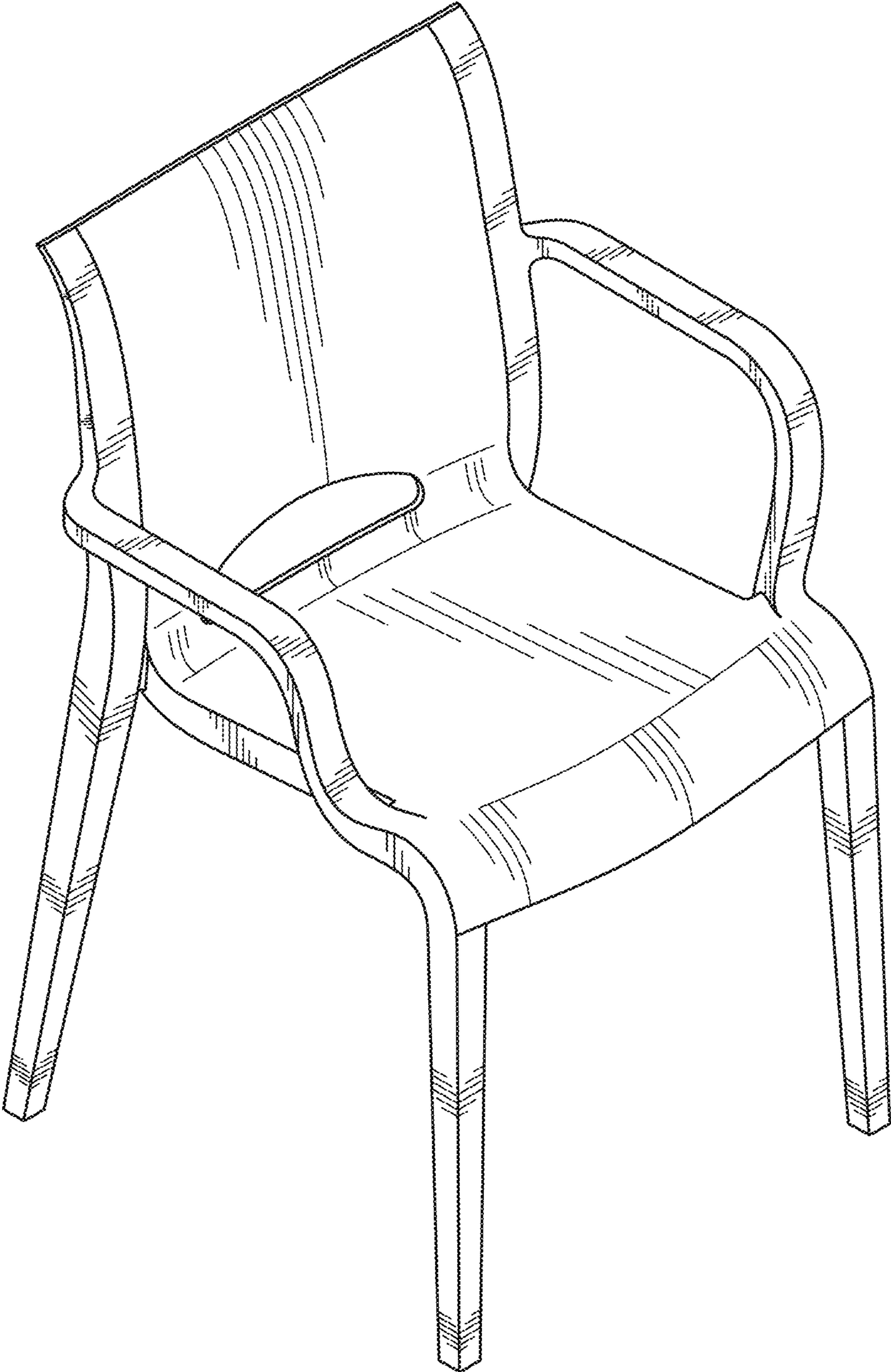


FIG. 1

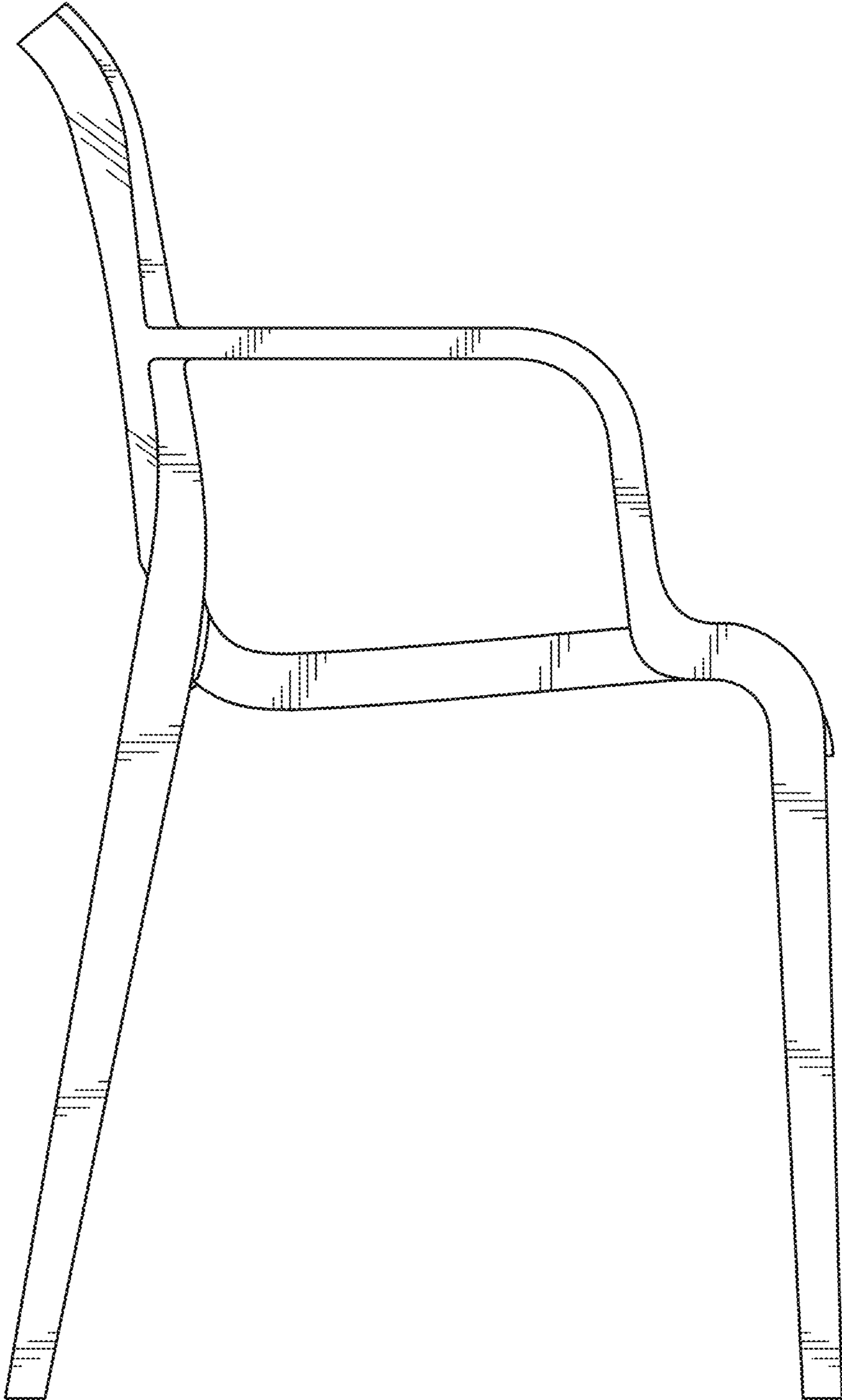


FIG. 2

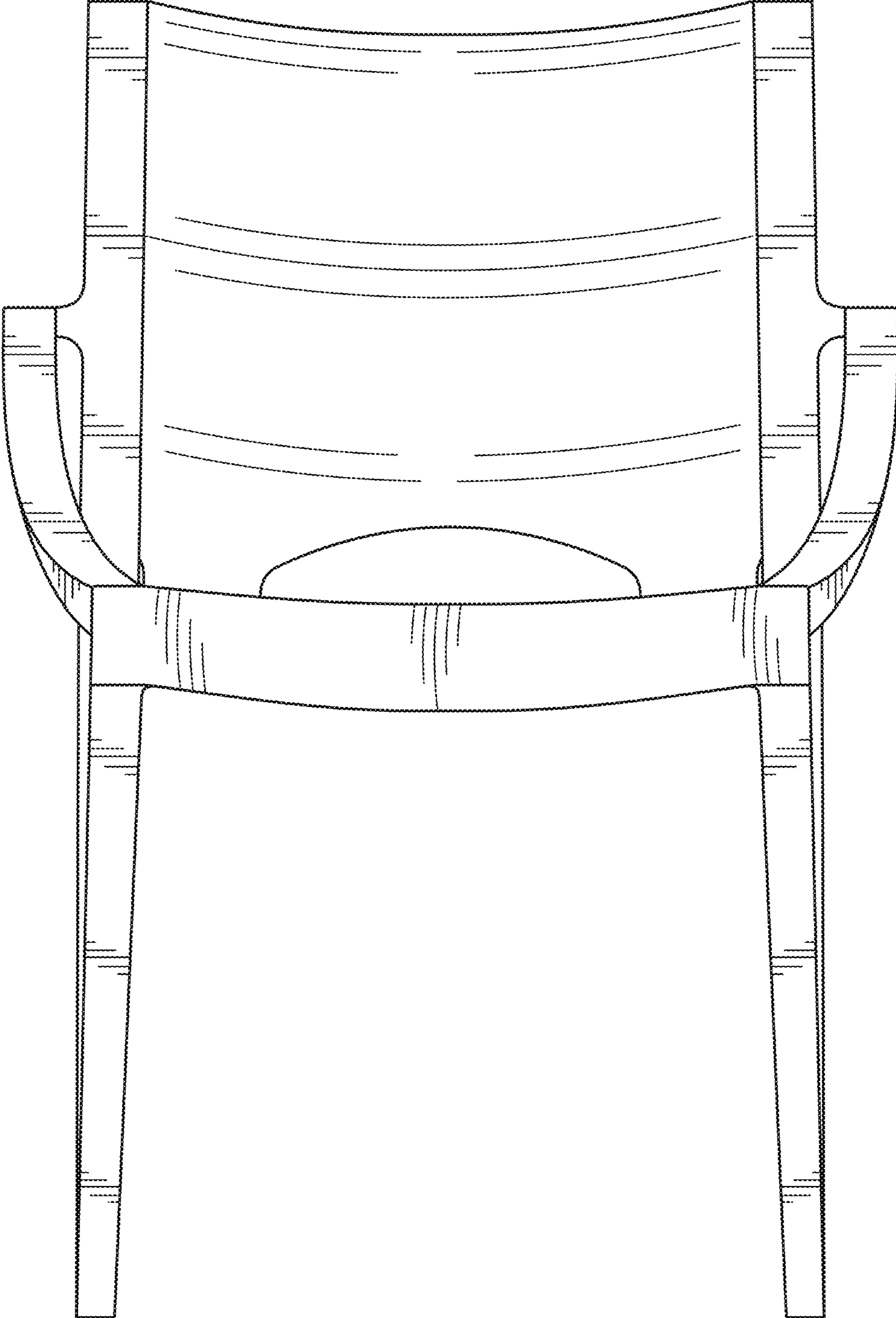


FIG. 3

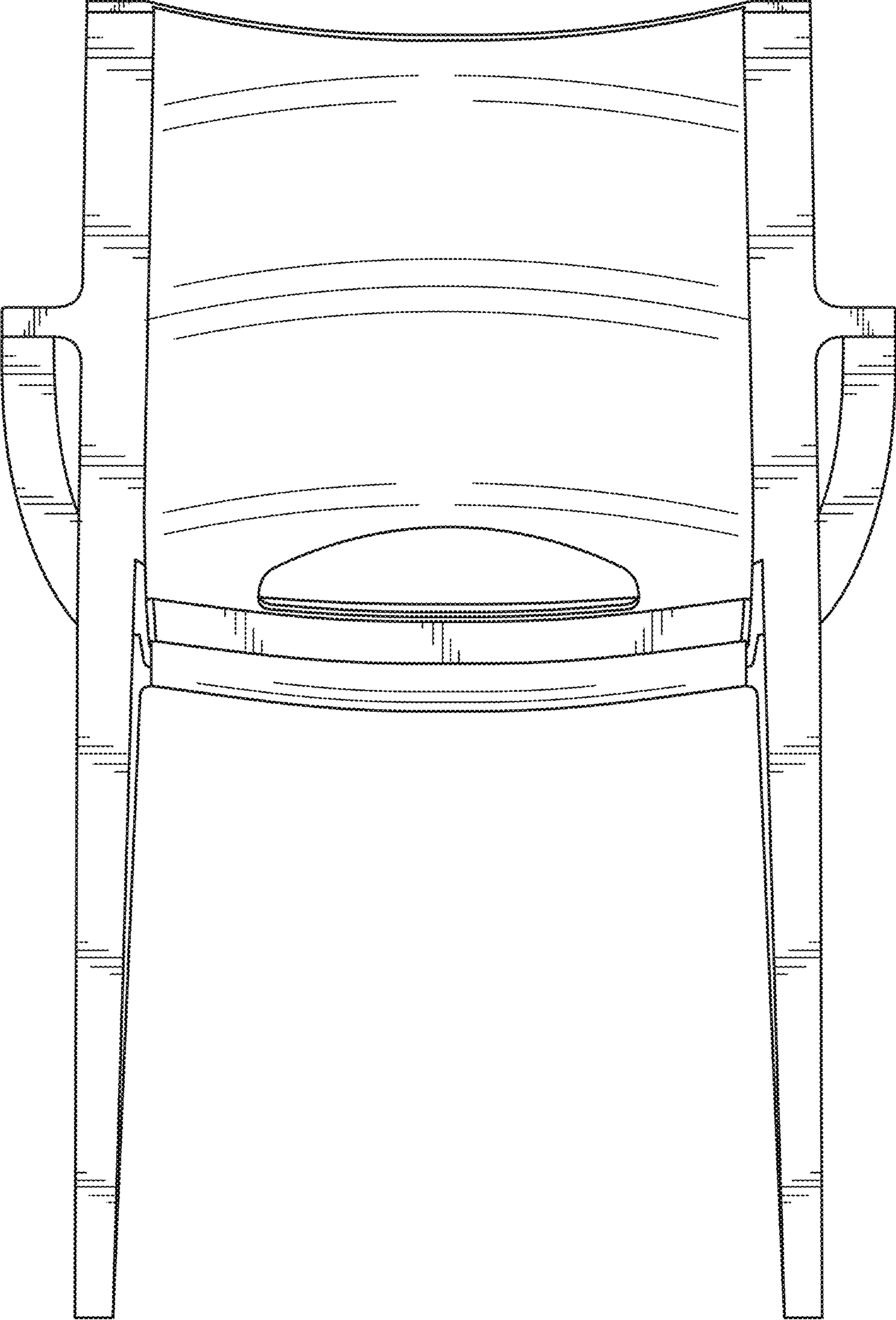


FIG. 4

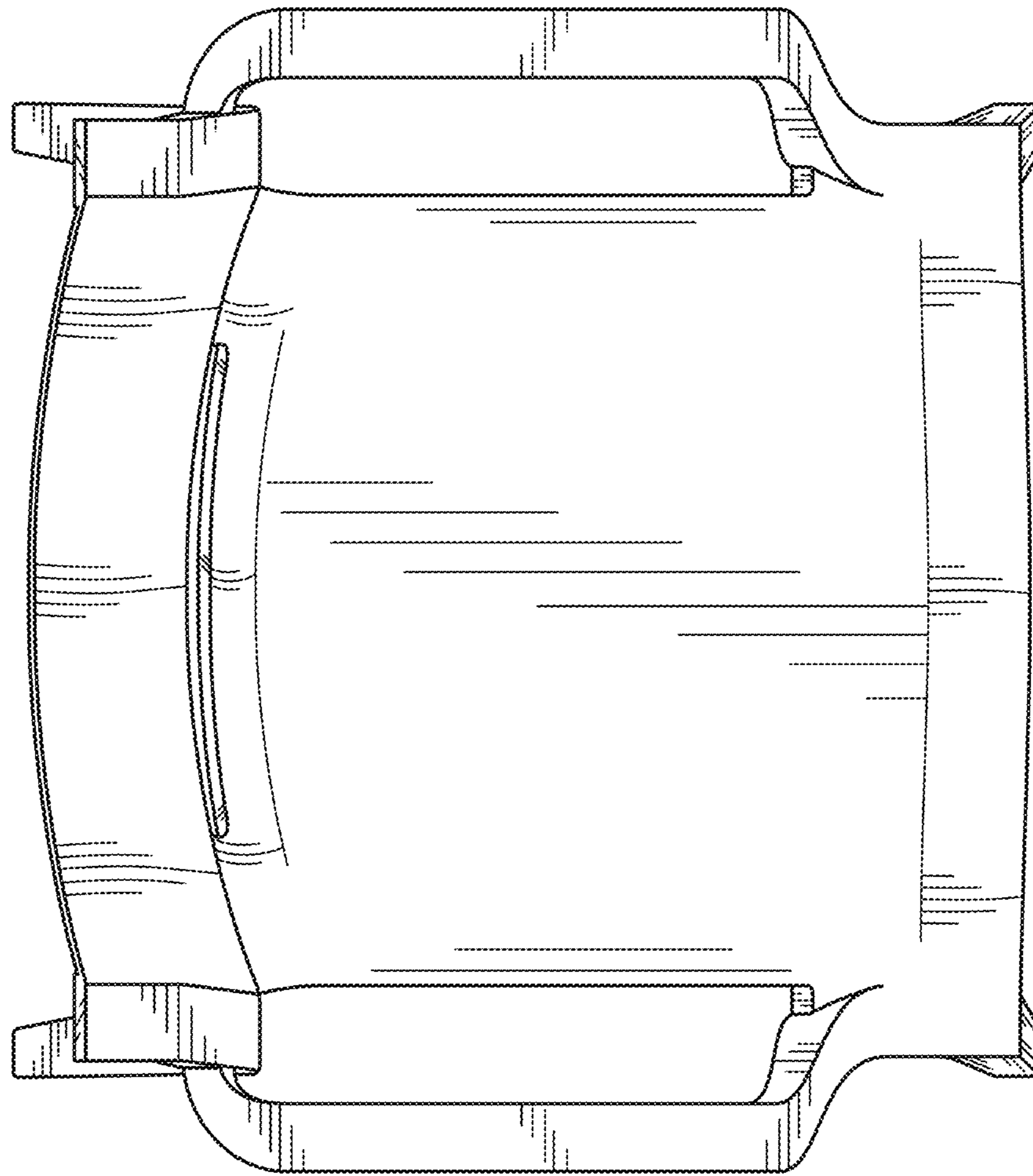


FIG. 5

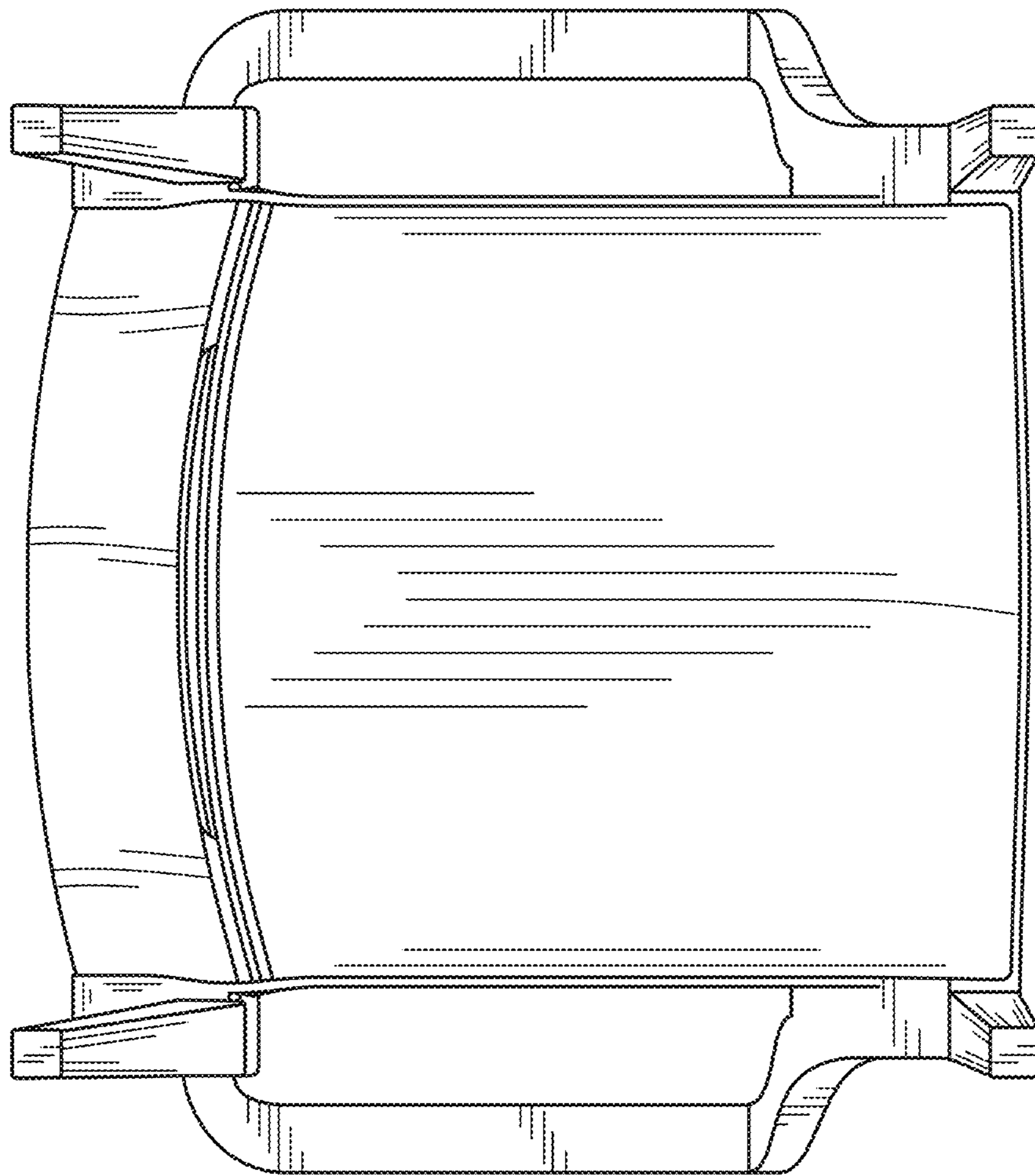


FIG. 6