

US00D796856S

(12) **United States Design Patent**
Meoli

(10) **Patent No.:** **US D796,856 S**

(45) **Date of Patent:** **** Sep. 12, 2017**

(54) **CHAIR**

(71) Applicant: **Rudy Meoli**, Anaheim, CA (US)

(72) Inventor: **Rudy Meoli**, Anaheim, CA (US)

(**) Term: **15 Years**

(21) Appl. No.: **29/554,239**

(22) Filed: **Feb. 9, 2016**

(51) **LOC (10) Cl.** **06-01**

(52) **U.S. Cl.**
USPC **D6/336; D6/368**

(58) **Field of Classification Search**
USPC D6/334, 335, 336, 360, 361, 367, 368,
D6/371-375, 379-381, 716, 716.1-716.8
CPC A47C 7/00; A47C 7/62; A47C 7/18; A47C
7/54; A47C 4/00; A47C 4/028; A47C
4/28; A47C 3/16; A47C 3/04; A47C 3/12;
A47C 1/02; A47C 1/14
See application file for complete search history.

4,566,731 A * 1/1986 Marchesini A47C 4/32
297/440.11

5,873,624 A * 2/1999 Simpson A47C 7/70
297/173

D456,628 S * 5/2002 Satoshi D6/368

D522,263 S * 6/2006 Hart D6/368

D536,886 S * 2/2007 Hart D6/336

D593,759 S * 6/2009 Oliphant A47C 4/286
D6/335

D631,673 S * 2/2011 Schulenberg D6/338

D683,155 S * 5/2013 Chen D6/368

D691,821 S * 10/2013 Mercieca D6/368

D710,121 S * 8/2014 Citterio D6/368

9,332,849 B2 * 5/2016 Wagner A47C 7/021

2014/0015287 A1 * 1/2014 Zhu A47C 4/28
297/35

2015/0054314 A1 * 2/2015 Grace A47C 7/70
297/45

* cited by examiner

Primary Examiner — Deanna L Pratt
(74) *Attorney, Agent, or Firm* — Quickpatents, LLC;
Kevin Prince

(57) **CLAIM**

The ornamental design for chair, as shown and described.

(56) **References Cited**

U.S. PATENT DOCUMENTS

2,096,237 A * 10/1937 Frey A47C 4/283
297/45

4,065,173 A * 12/1977 Gittings A47C 4/283
16/366

4,105,244 A * 8/1978 Colby A47C 4/283
297/440.11

D261,577 S * 11/1981 Heritage D6/338

D261,578 S * 11/1981 Heritage D6/338

D261,579 S * 11/1981 Heritage D6/341

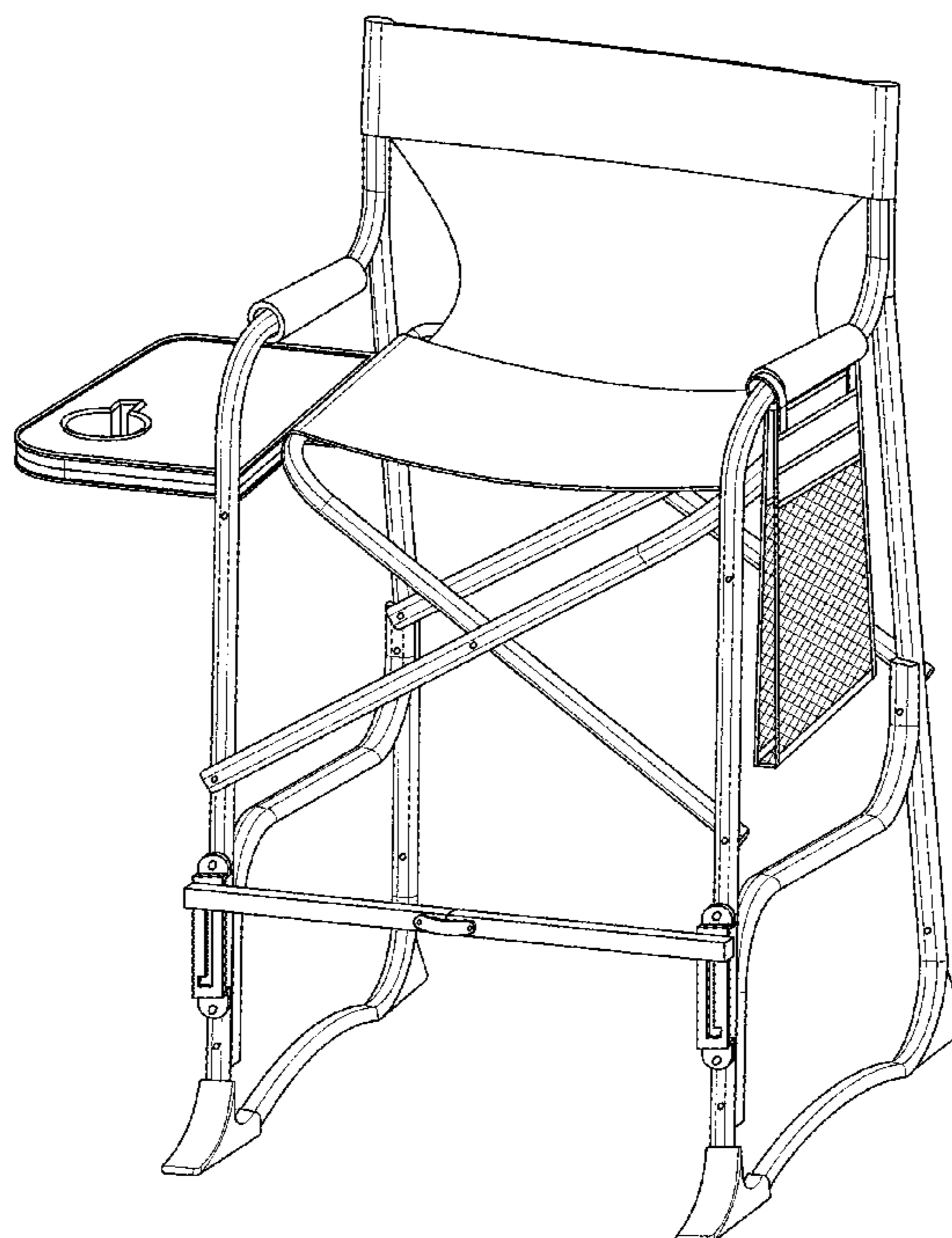
D265,444 S * 7/1982 Nii D6/373

D277,813 S * 3/1985 Grady D6/349

DESCRIPTION

FIG. 1 is a perspective view of the chair;
FIG. 2 is a right side elevational view of the chair;
FIG. 3 is a left side elevational view of the chair;
FIG. 4 is a front view of the chair;
FIG. 5 is a rear view of the chair;
FIG. 6 is a top view of the chair; and,
FIG. 7 is a bottom view of the chair.

1 Claim, 7 Drawing Sheets



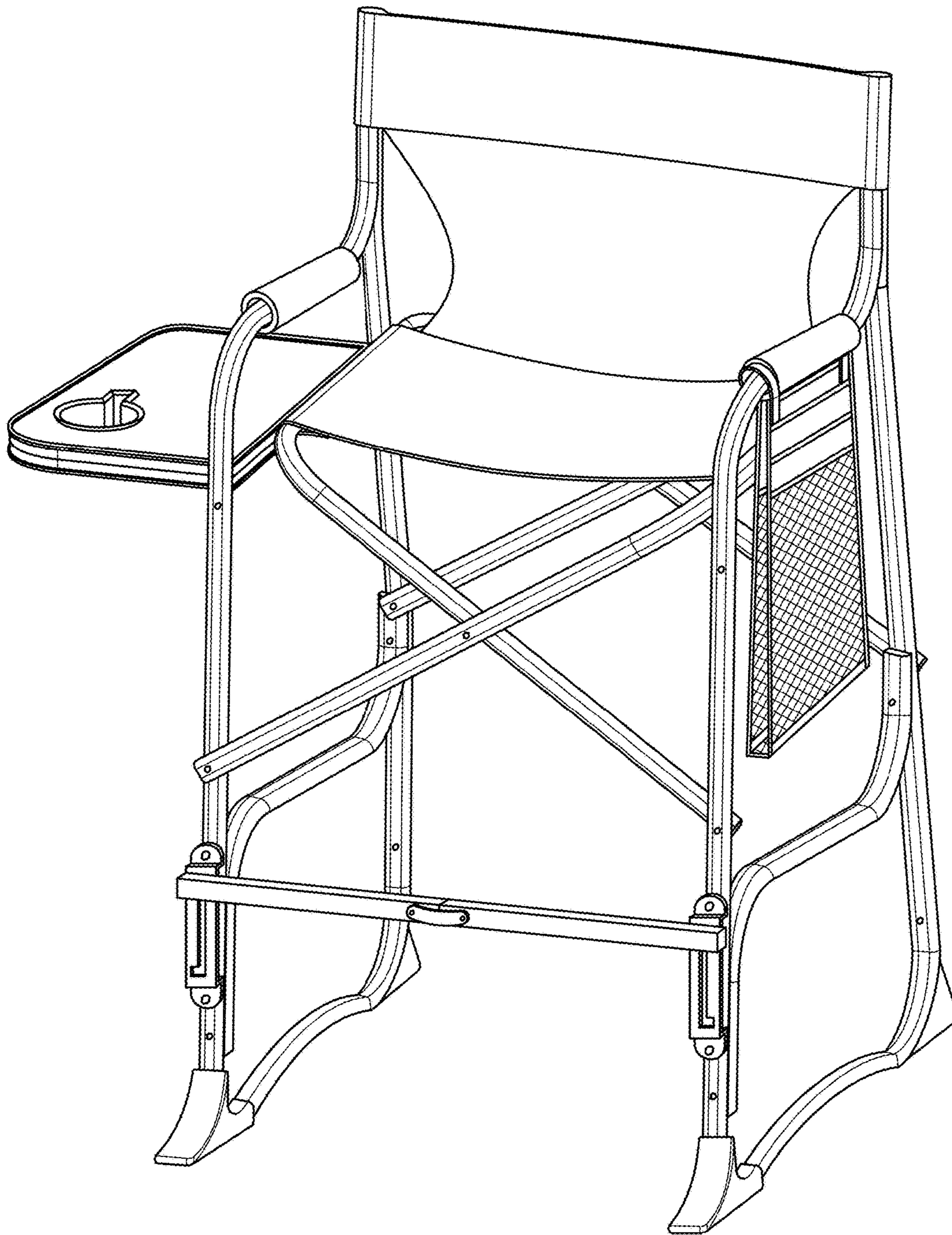


FIG. 1

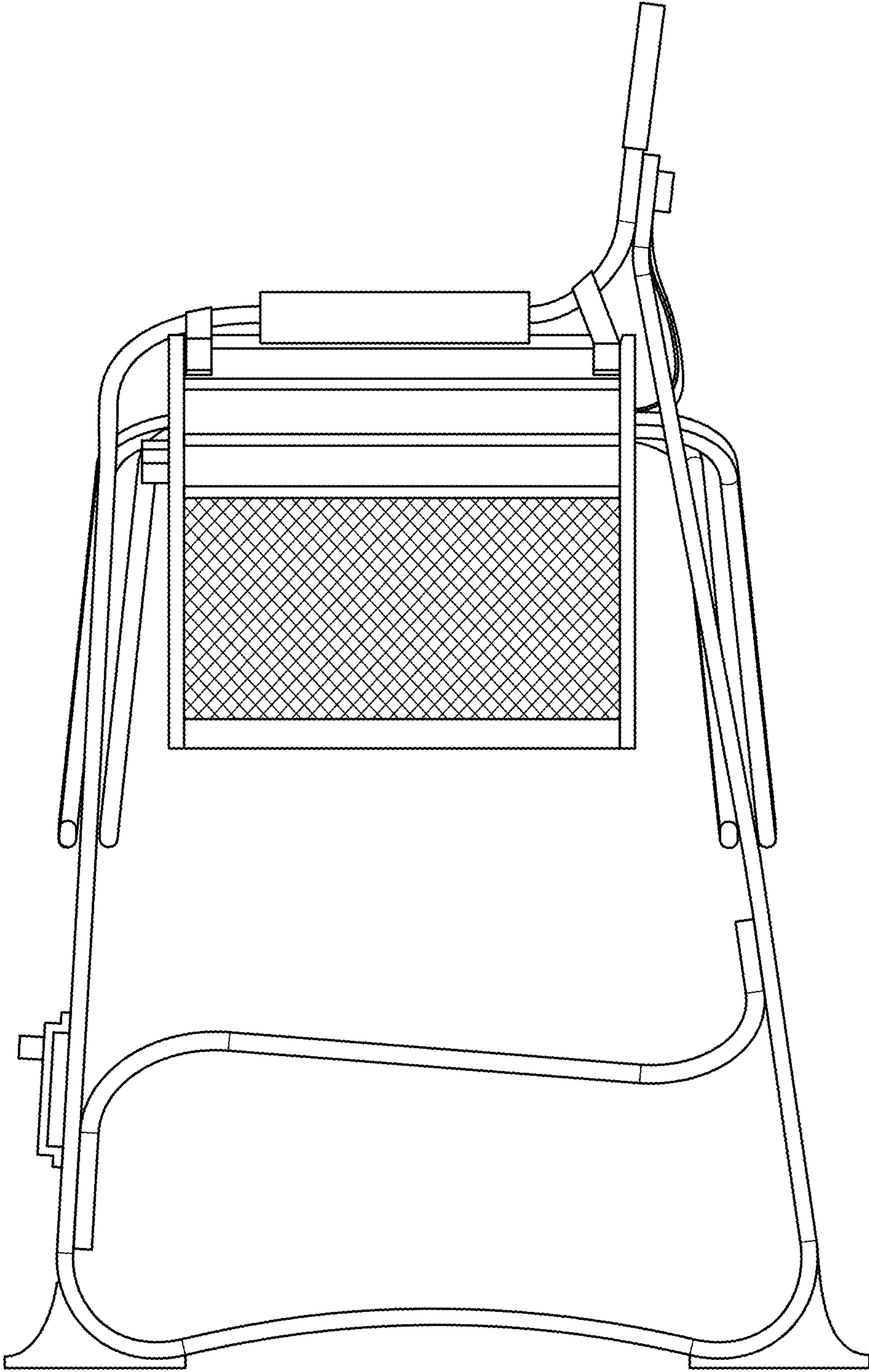


FIG. 2

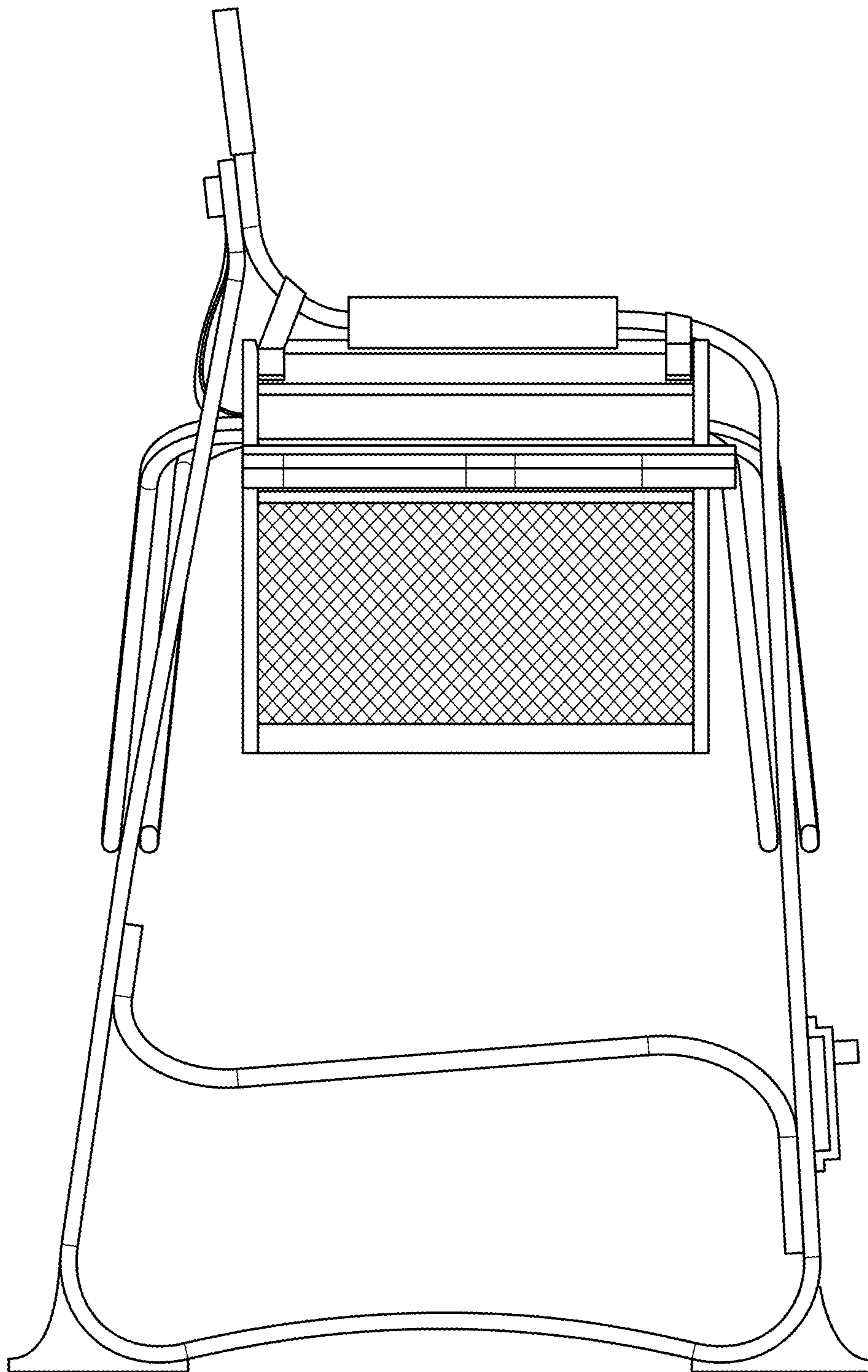


FIG. 3

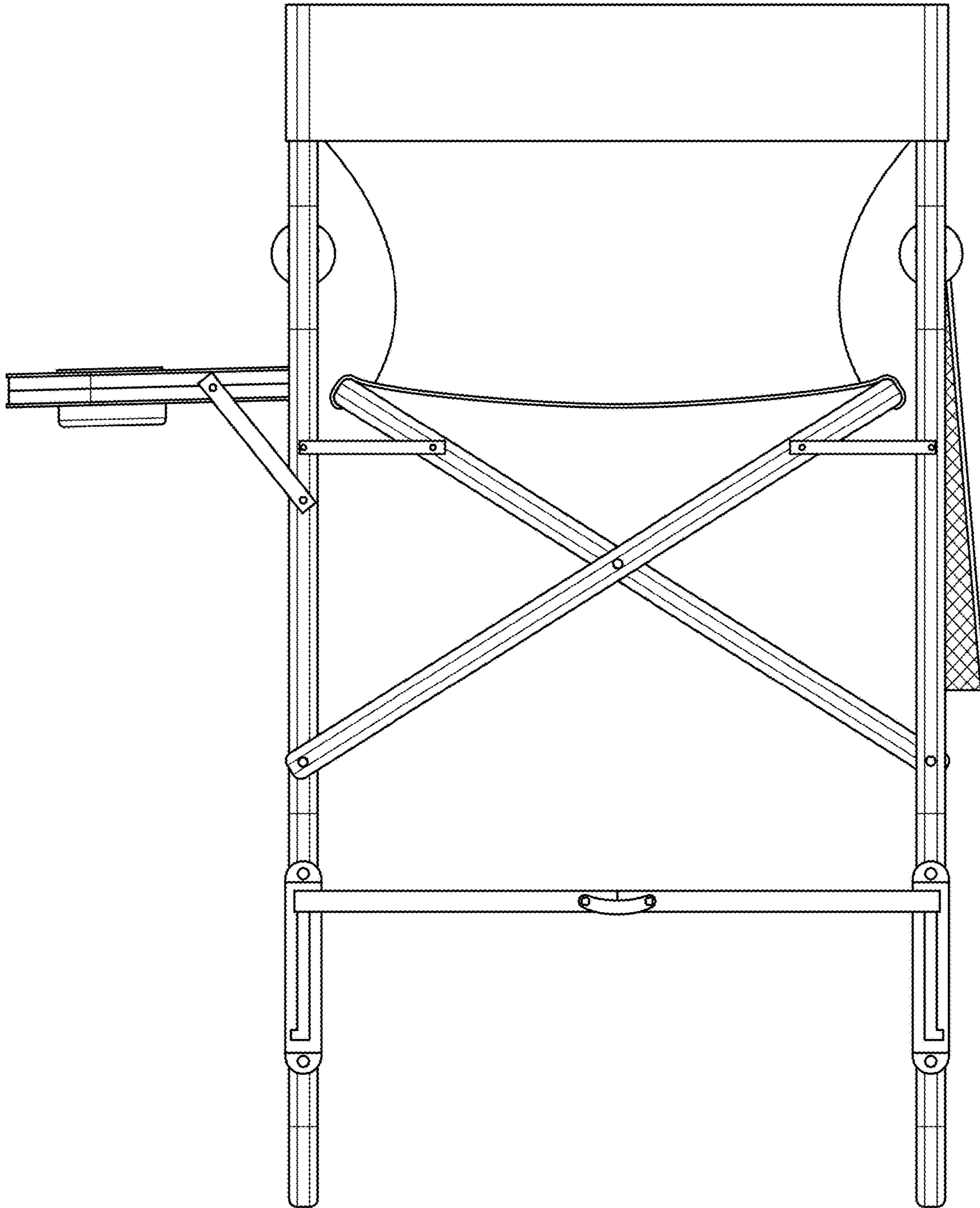


FIG. 4

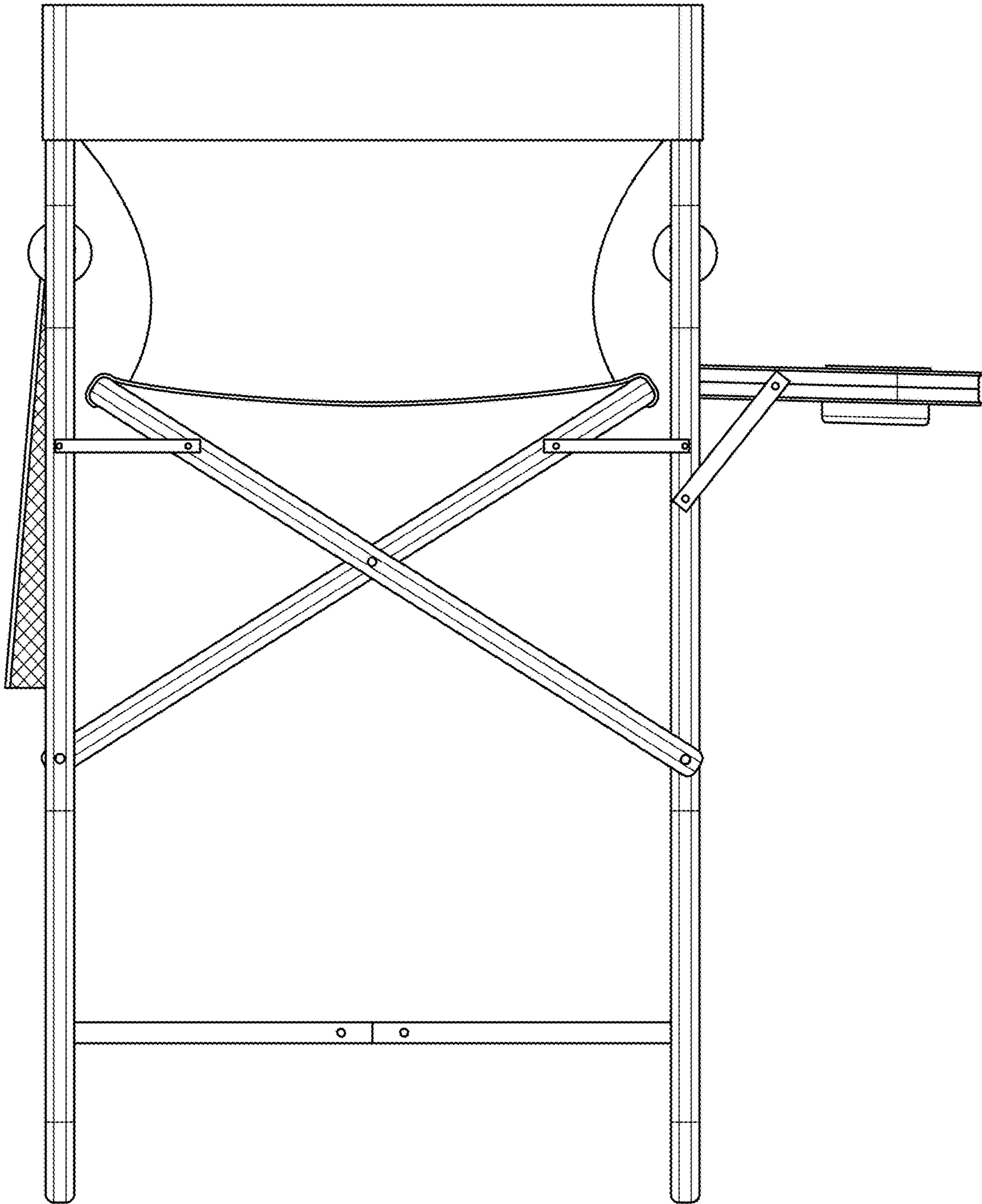


FIG. 5

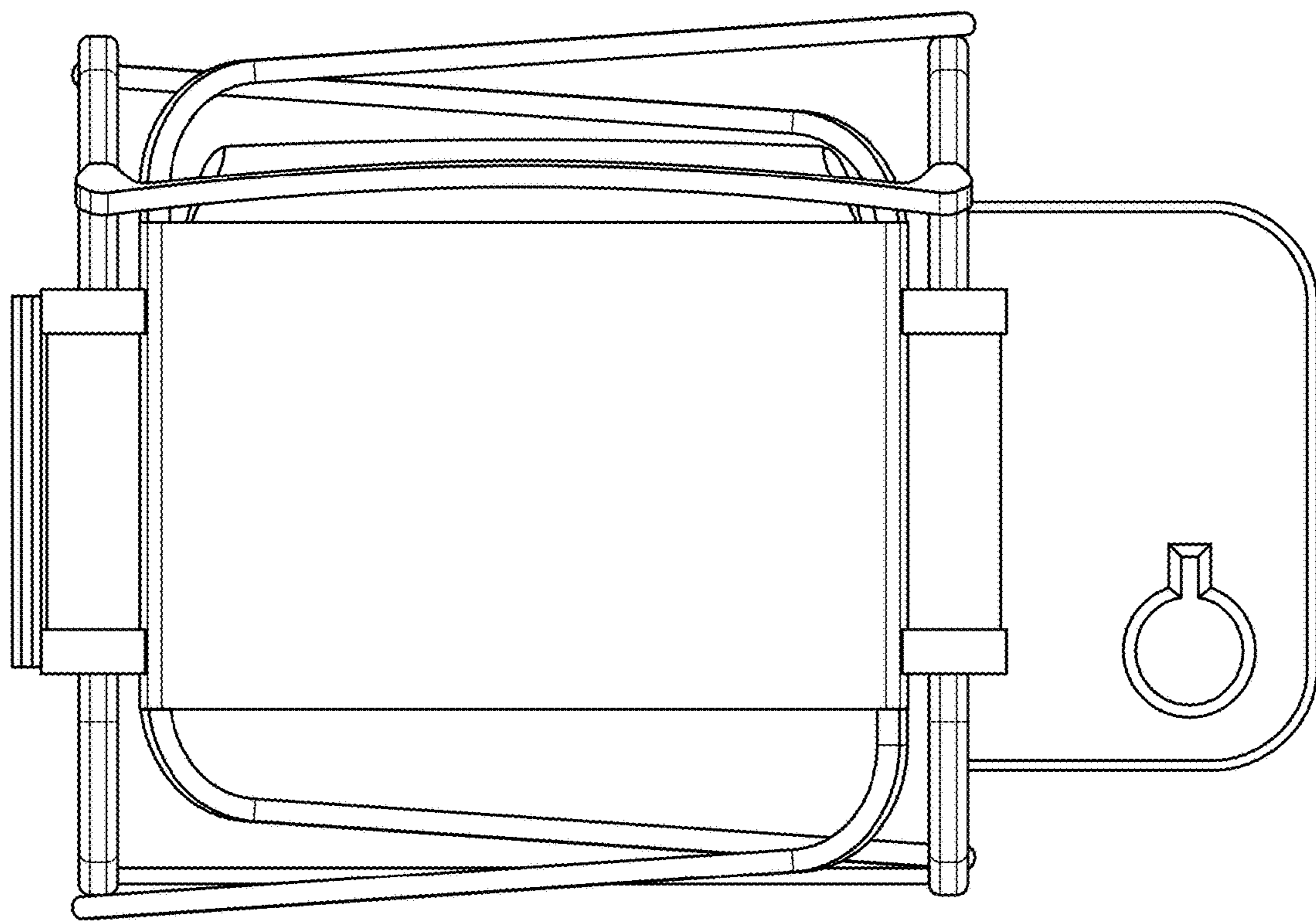


FIG. 6

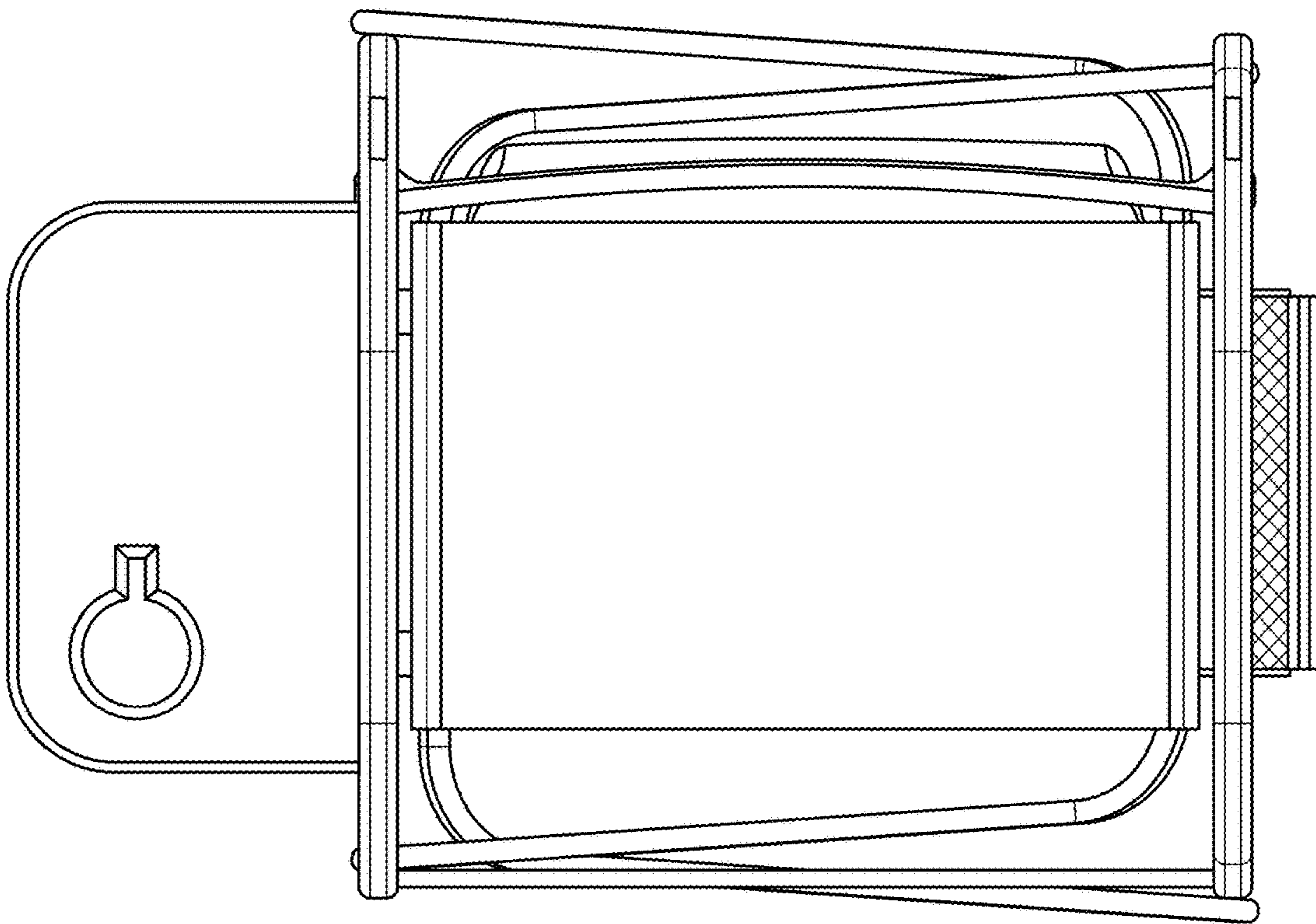


FIG. 7